



US00D553873S

(12) **United States Design Patent**
Fujino et al.

(10) **Patent No.:** **US D553,873 S**

(45) **Date of Patent:** **** Oct. 30, 2007**

(54) **CLEANER CASE**

2006/0108252 A1* 5/2006 Lax 206/470

(75) Inventors: **Takaki Fujino**, Kyoto (JP); **Hiroki Goto**, Kyoto (JP)

* cited by examiner

Primary Examiner—Ian Simmons

Assistant Examiner—Dana Sipos

(73) Assignee: **Nintendo Co., Ltd.**, Kyoto (JP)

(74) *Attorney, Agent, or Firm*—Nixon & Vanderhye, PC

(**) Term: **14 Years**

(57) **CLAIM**

(21) Appl. No.: **29/269,926**

The ornamental design for a cleaner case, as shown and described.

(22) Filed: **Dec. 12, 2006**

(30) **Foreign Application Priority Data**

DESCRIPTION

Oct. 17, 2006 (JP) 2006-028057

(51) **LOC (8) Cl.** **03-01**

(52) **U.S. Cl.** **D6/407**

(58) **Field of Classification Search** D6/396,
D6/407, 631, 632, 634; 206/307.1, 308.1,
206/308.2, 308.3, 445; 312/9.1

See application file for complete search history.

FIG. 1 is a top, front, right side perspective view of a cleaner case, shown in an open position showing our new design;

FIG. 2 is a bottom, rear, left side perspective view thereof;

FIG. 3 is a top plan view thereof;

FIG. 4 is a bottom plan view thereof;

FIG. 5 is a rear elevational view thereof;

FIG. 6 is a front elevational view thereof;

FIG. 7 is a right side elevational view thereof, the left side elevational view being a mirror image;

FIG. 8 is a top, front, right side perspective view of the cleaner case shown in a closed position;

FIG. 9 is a bottom, rear, left side elevational view thereof;

FIG. 10 is a top plan view thereof;

FIG. 11 is a bottom plan view thereof;

FIG. 12 is a front elevational view thereof;

FIG. 13 is a rear elevational view thereof; and,

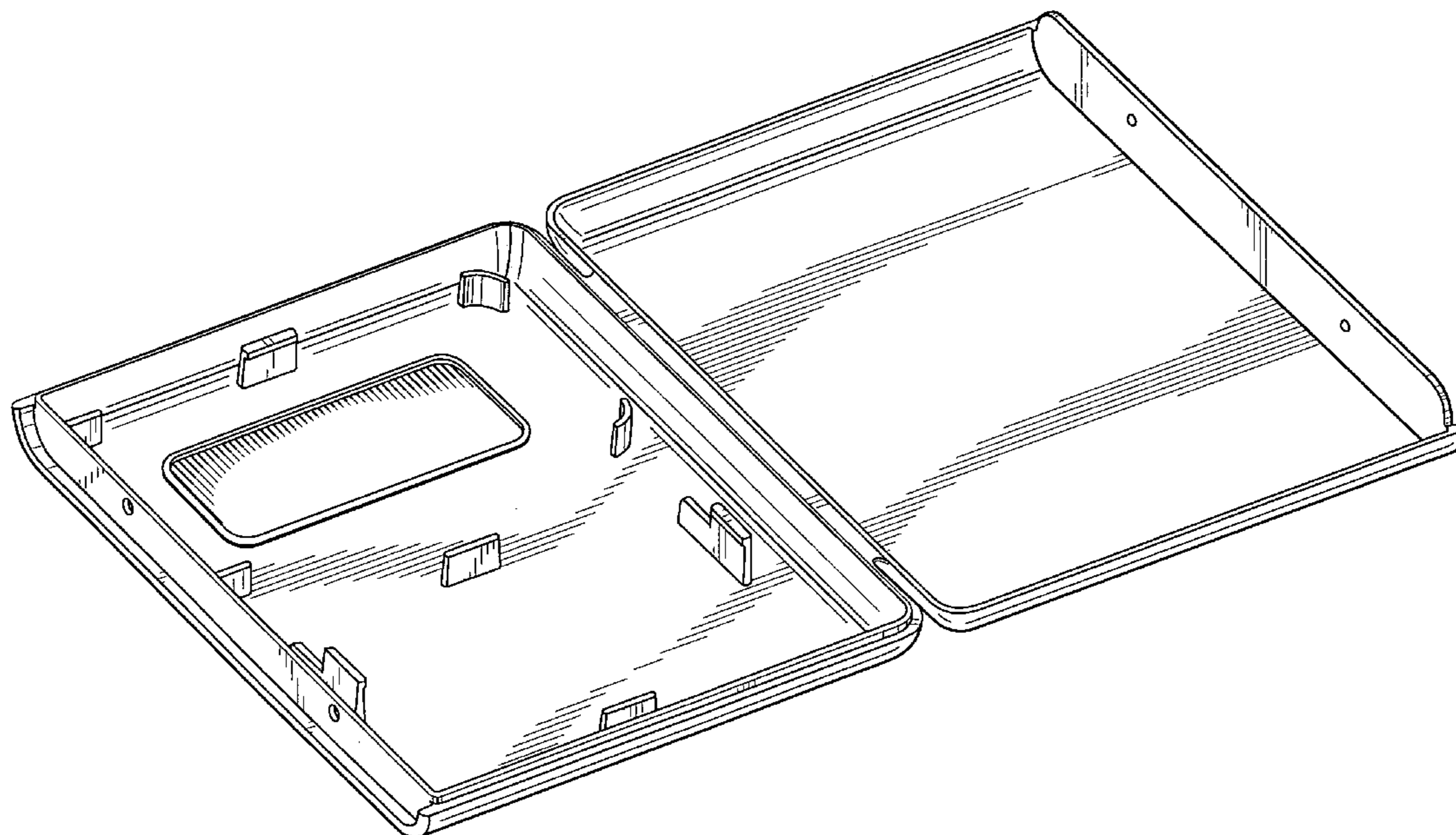
FIG. 14 is a right side elevational view thereof, the left side elevational view being a mirror image.

(56) **References Cited**

U.S. PATENT DOCUMENTS

D255,038 S *	5/1980	Itakura	D21/385
D267,821 S *	2/1983	Guth et al.	D28/38
D273,427 S *	4/1984	Barradas	D28/38
D321,429 S	11/1991	Kojo		
D379,010 S *	4/1997	Digianni	D27/189
D380,063 S *	6/1997	Digianni	D27/189
D455,312 S *	4/2002	Myszka et al.	D6/629
D474,935 S *	5/2003	Goto	D6/631
D477,143 S	7/2003	Nagata et al.		
D503,862 S	4/2005	Nagata et al.		
D506,065 S	6/2005	Sugino et al.		
6,978,897 B2 *	12/2005	Kutaragi et al.	206/579
D520,291 S	5/2006	Nagata et al.		

1 Claim, 9 Drawing Sheets



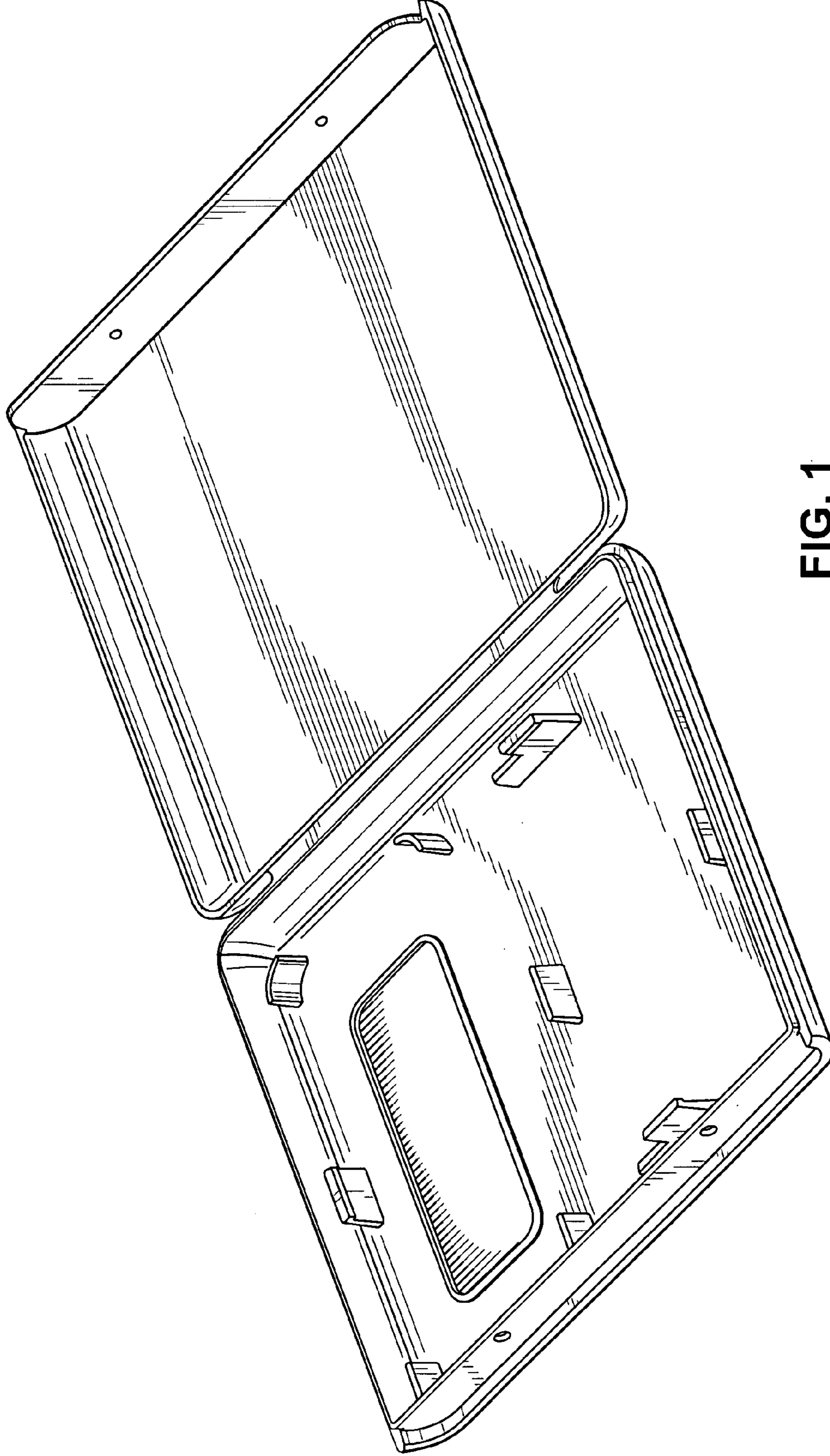


FIG. 1

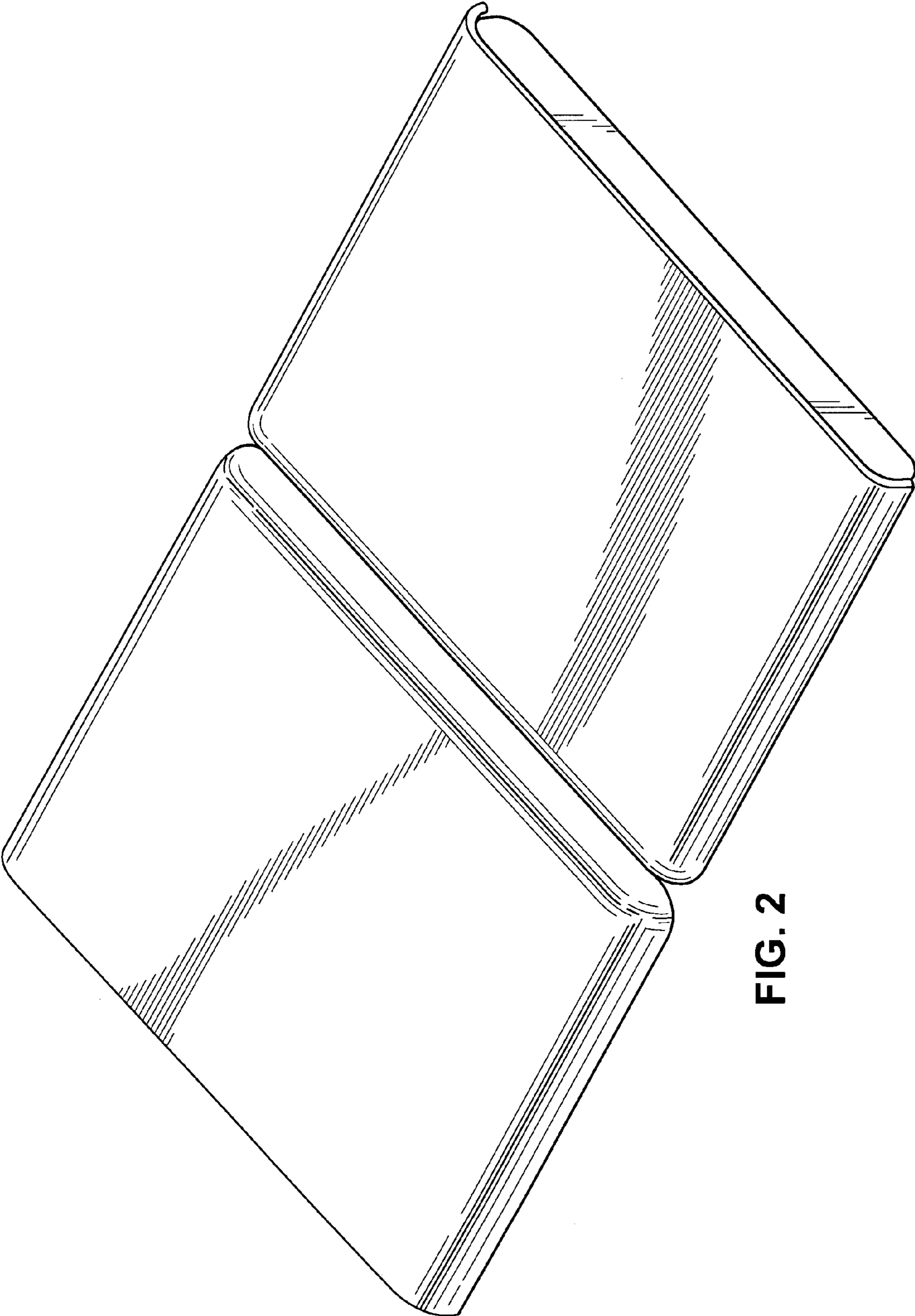


FIG. 2

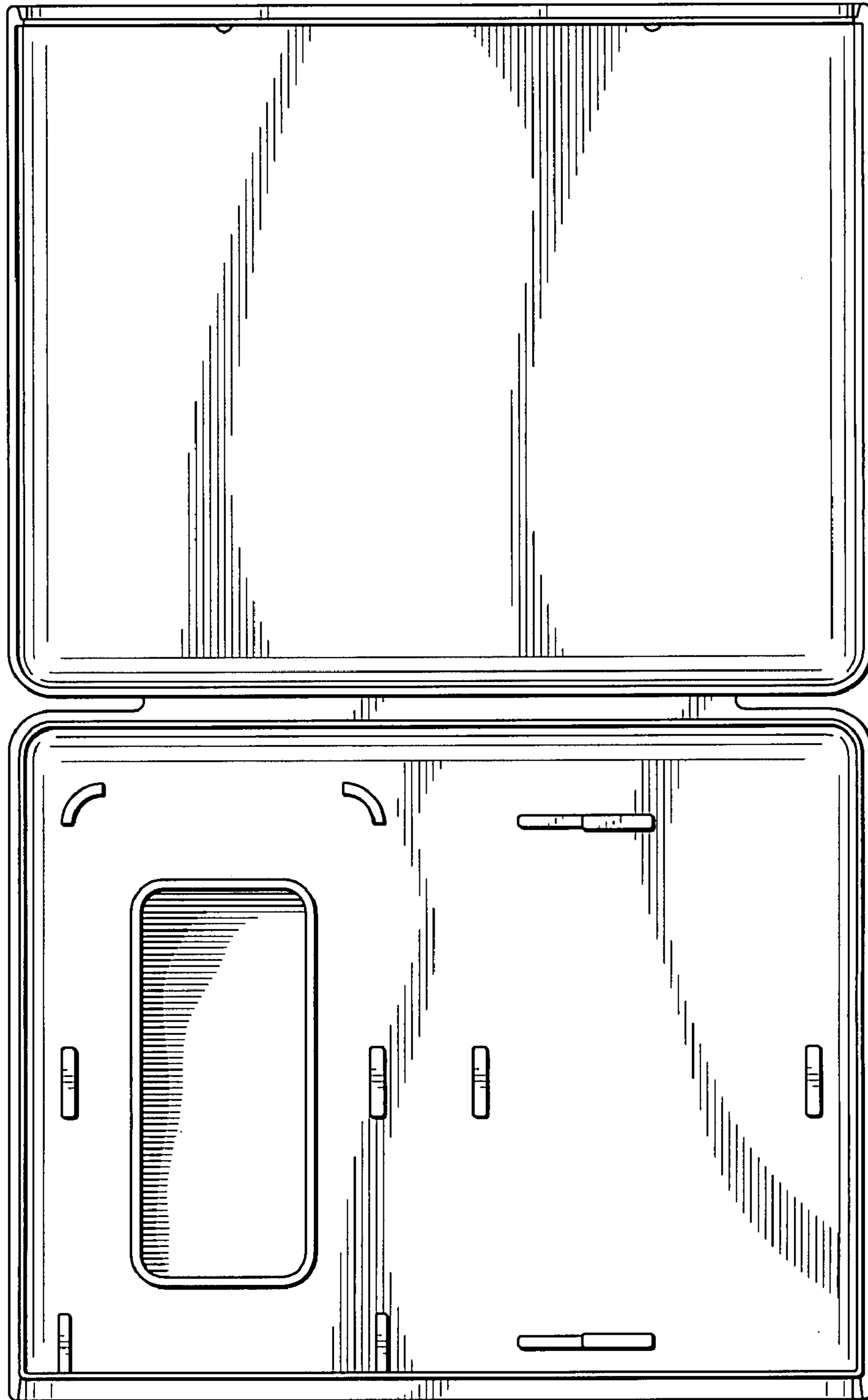


FIG. 3

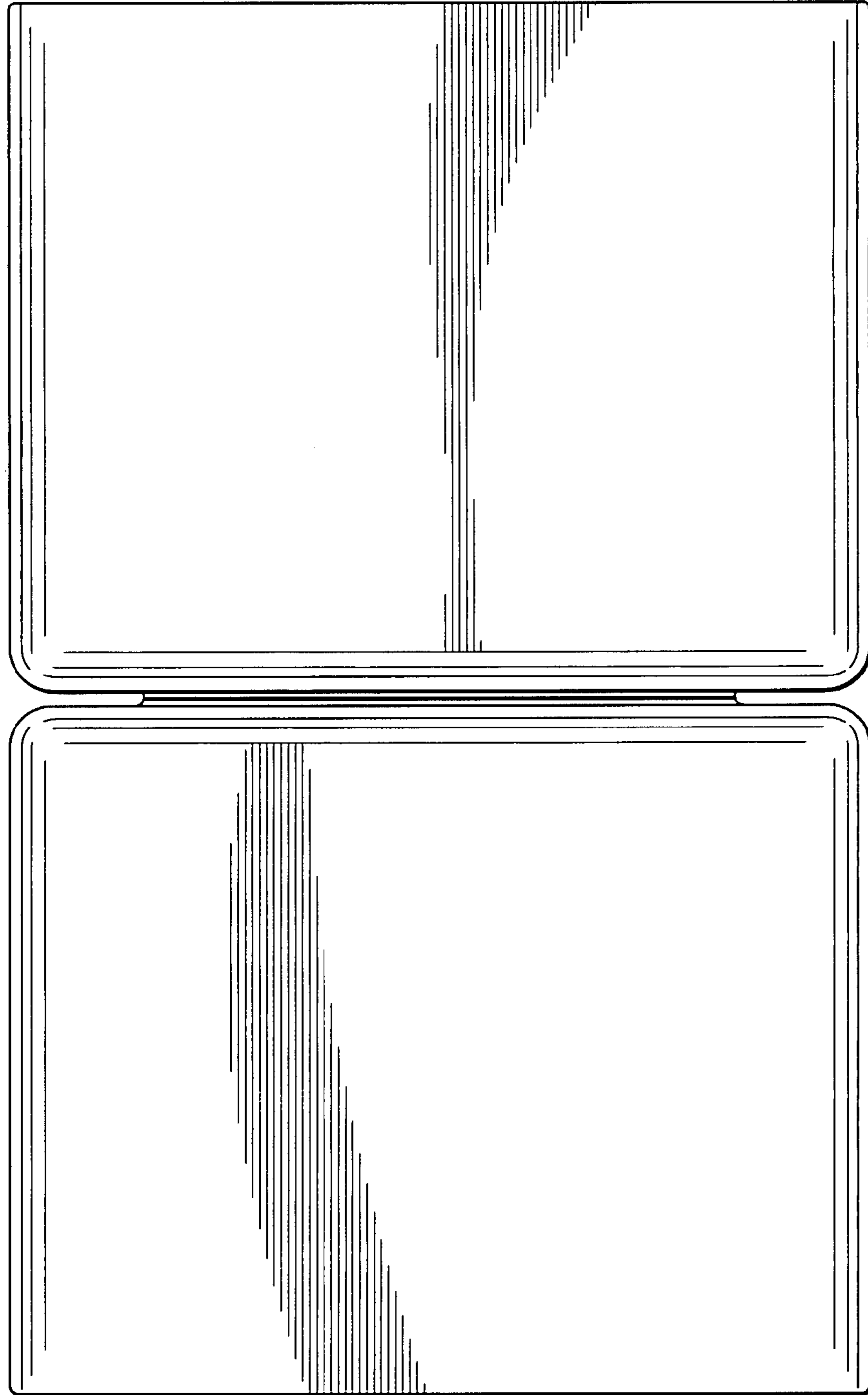


FIG. 4

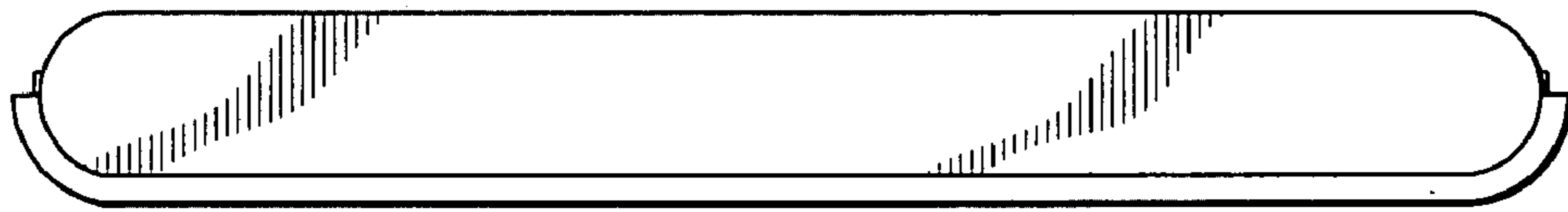


FIG. 5

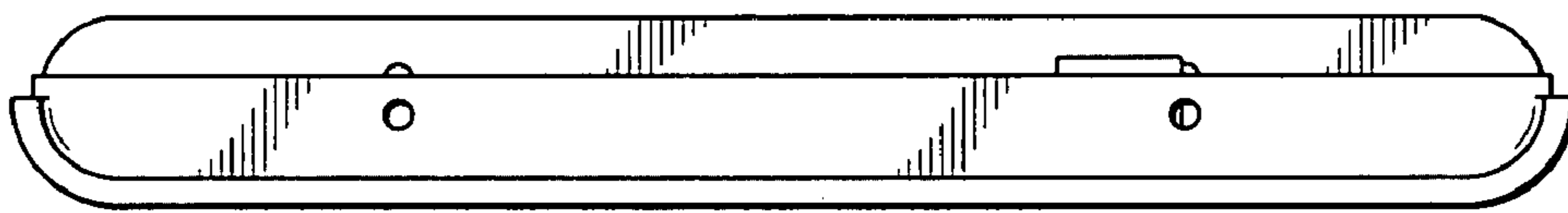


FIG. 6

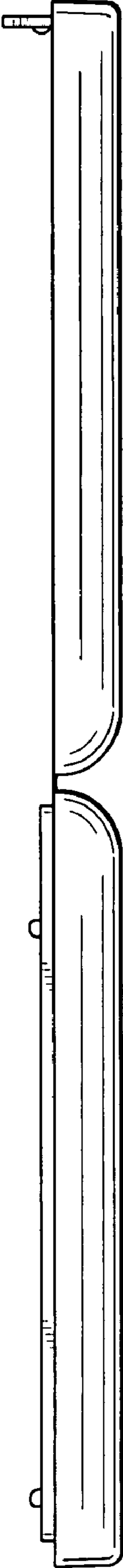


FIG. 7

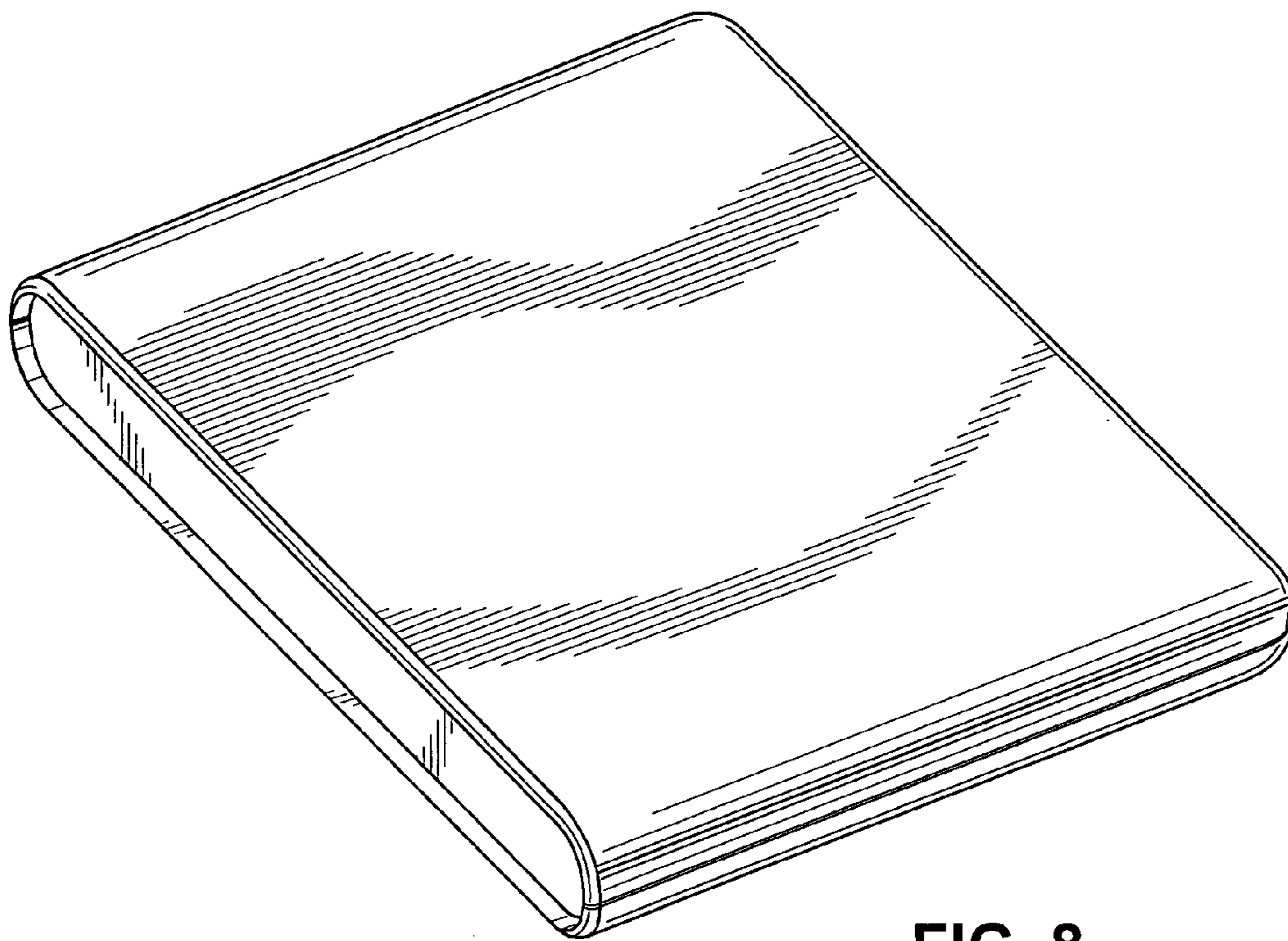


FIG. 8

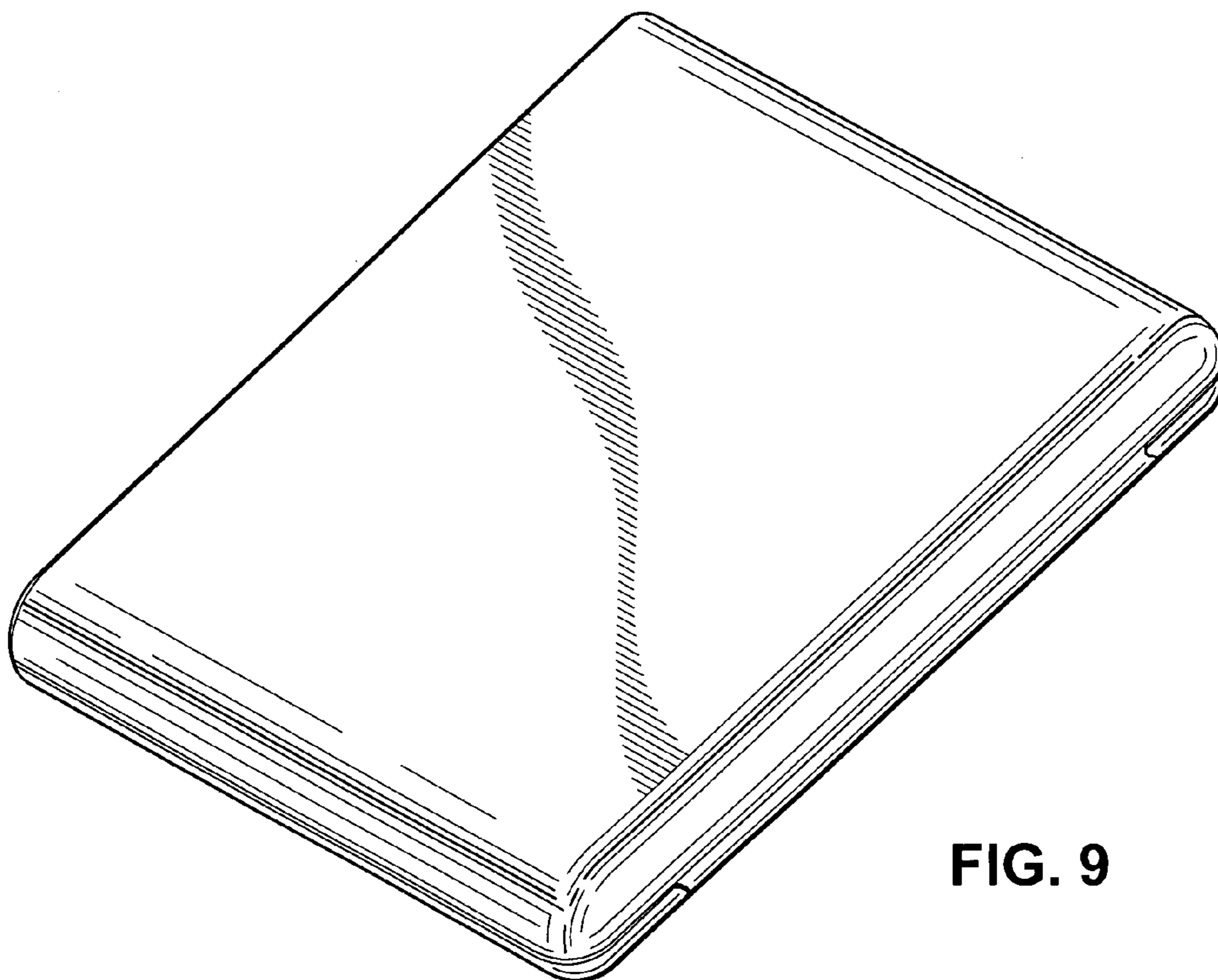


FIG. 9

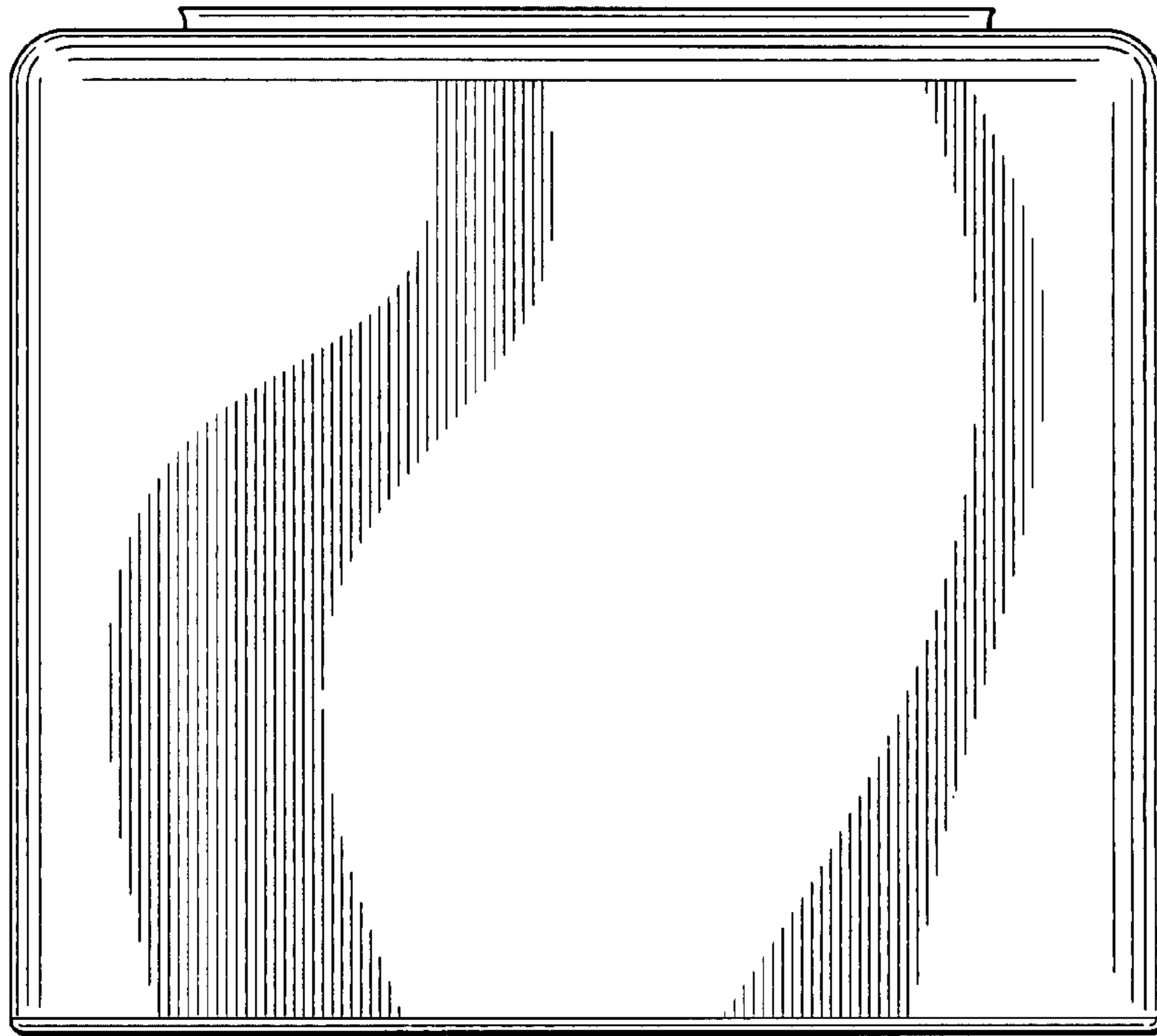


FIG. 10

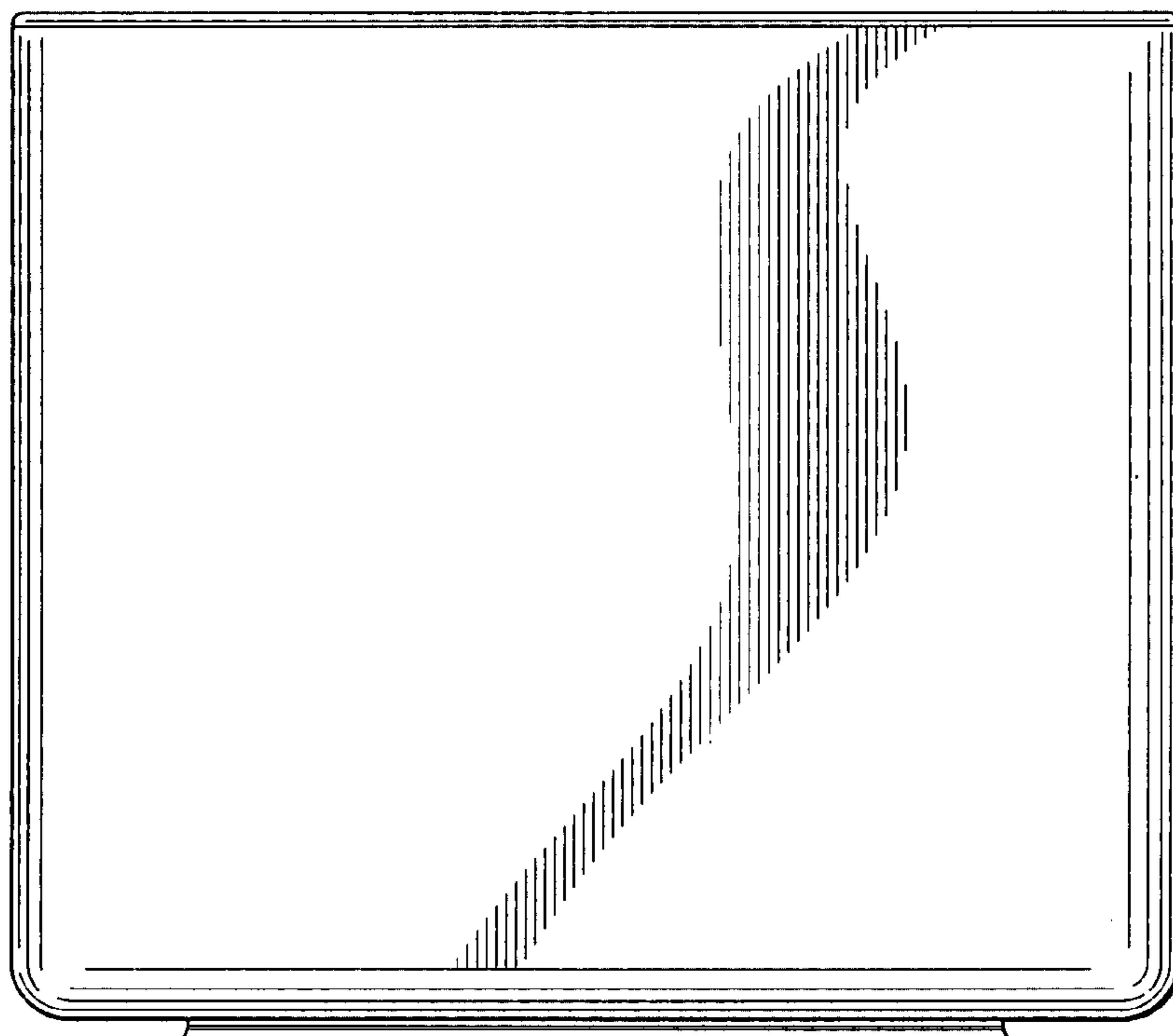


FIG. 11

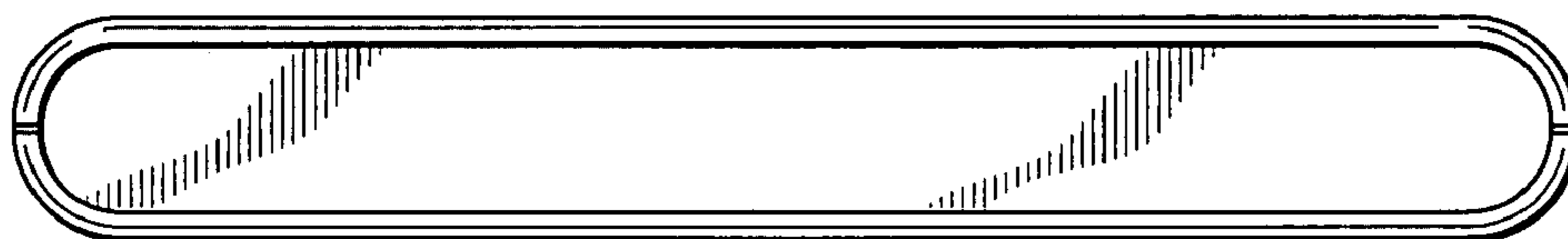


FIG. 12

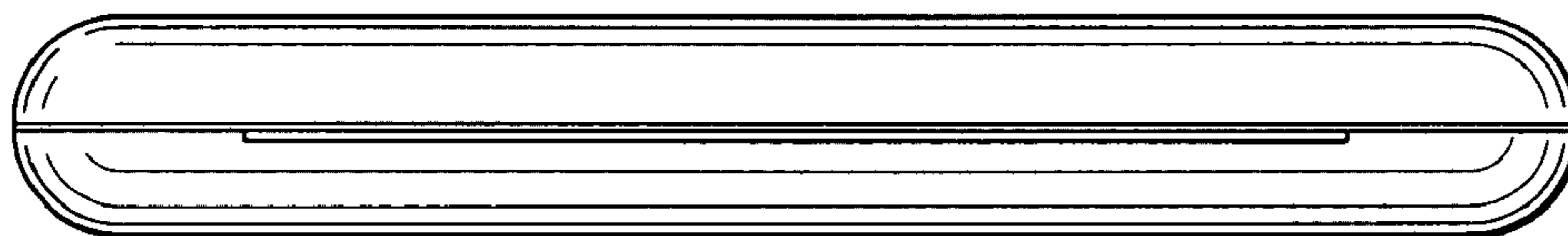


FIG. 13

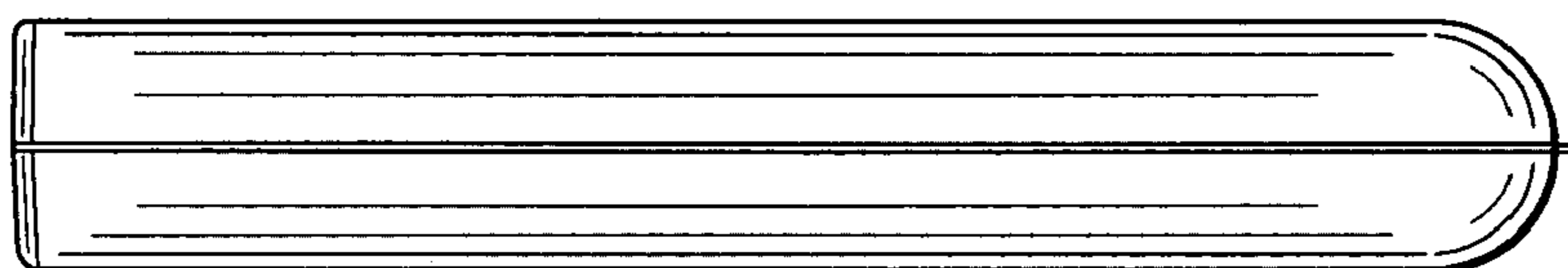


FIG. 14