



US00D553869S

(12) **United States Design Patent**  
**Nelson**

(10) **Patent No.:** **US D553,869 S**

(45) **Date of Patent:** **\*\* Oct. 30, 2007**

(54) **FOLDABLE BENCH TABLE**

(76) **Inventor:** **Cheung So Jine Nelson**, Unit B, 15/F1.,  
Tung Nam Commercial Centre, 68  
Portland street, Kowloon (HK)

(\*\*) **Term:** **14 Years**

(21) **Appl. No.:** **29/260,296**

(22) **Filed:** **May 24, 2006**

(51) **LOC (8) Cl.** ..... **06-01**

(52) **U.S. Cl.** ..... **D6/337**

(58) **Field of Classification Search** ..... D6/334-338,  
D6/349, 355, 363, 364, 369-370, 381, 491,  
D6/500-502, 509, 511, 601; 297/16.1-16.2,  
297/116, 135, 154, 187, 158.3, 158.4, 158.5,  
297/184.1, 232, 244, 411.37, 440.1, 445.1;  
5/12.1, 655.3

See application file for complete search history.

(56) **References Cited**

**U.S. PATENT DOCUMENTS**

2,279,122	A *	4/1942	Kovalchuk	108/35
2,522,642	A *	9/1950	Schmidt	297/139
2,524,198	A *	10/1950	La Rue	297/139
2,991,829	A *	7/1961	Post	297/139
3,414,301	A *	12/1968	Crowe	403/237
3,885,829	A *	5/1975	Haeger	297/158.4
4,653,804	A *	3/1987	Yoo et al.	297/158.4
4,826,244	A *	5/1989	Choi	297/158.4
4,883,314	A *	11/1989	Sakong	297/158.4
D348,989	S *	7/1994	Pomeroy et al.	D6/337
D354,867	S *	1/1995	Lee	D6/335
D368,807	S *	4/1996	Noll	D6/337
D417,965	S *	12/1999	Strong et al.	D6/337
D429,903	S *	8/2000	Iannaccone	D6/337

6,109,687	A *	8/2000	Nye et al.	297/158.4
D431,918	S *	10/2000	Tseng	D6/337
D442,788	S *	5/2001	Nye et al.	D6/337
6,443,521	B1 *	9/2002	Nye et al.	297/158.4
D463,919	S *	10/2002	Lee	D6/337
6,905,166	B2 *	6/2005	Zhurong et al.	297/158.4
D511,714	S *	11/2005	Pontaoe	D11/216
7,055,899	B2 *	6/2006	Zhurong et al.	297/158.4
2006/0181114	A1 *	8/2006	Nye et al.	297/158.3

\* cited by examiner

*Primary Examiner*—Sandra Snapp

(74) *Attorney, Agent, or Firm*—Philip T. Virga

(57) **CLAIM**

The ornamental design for a foldable bench table, as substantially shown and described.

**DESCRIPTION**

FIG. 1 is a perspective view of a foldable bench table having two bench seats;

FIGS. 2 and 3 are side elevational views of FIG. 1;

FIG. 4 is a top plan view of the foldable bench table of FIG. 1;

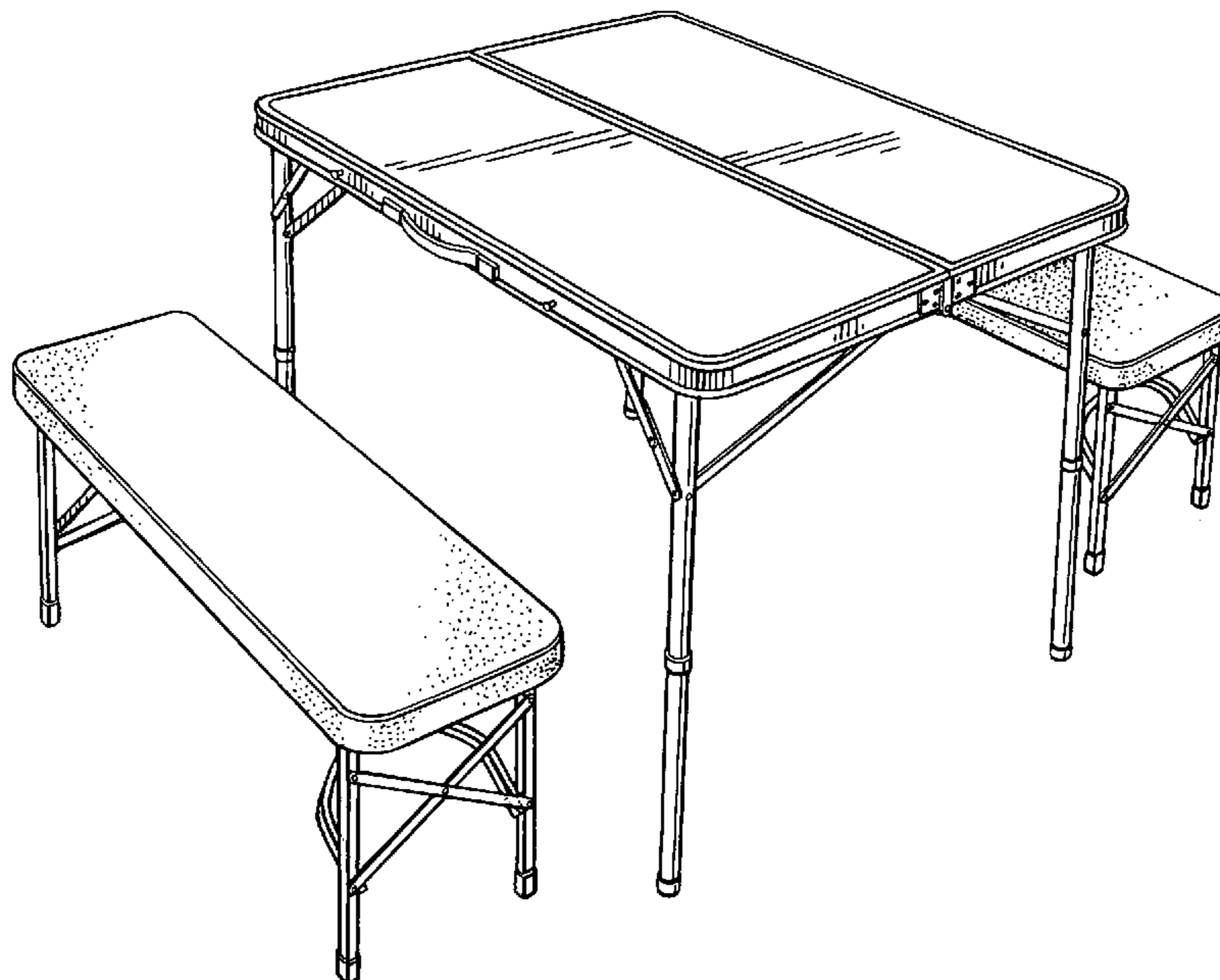
FIG. 5 is a bottom plan view of FIG. 1 with the legs folded down;

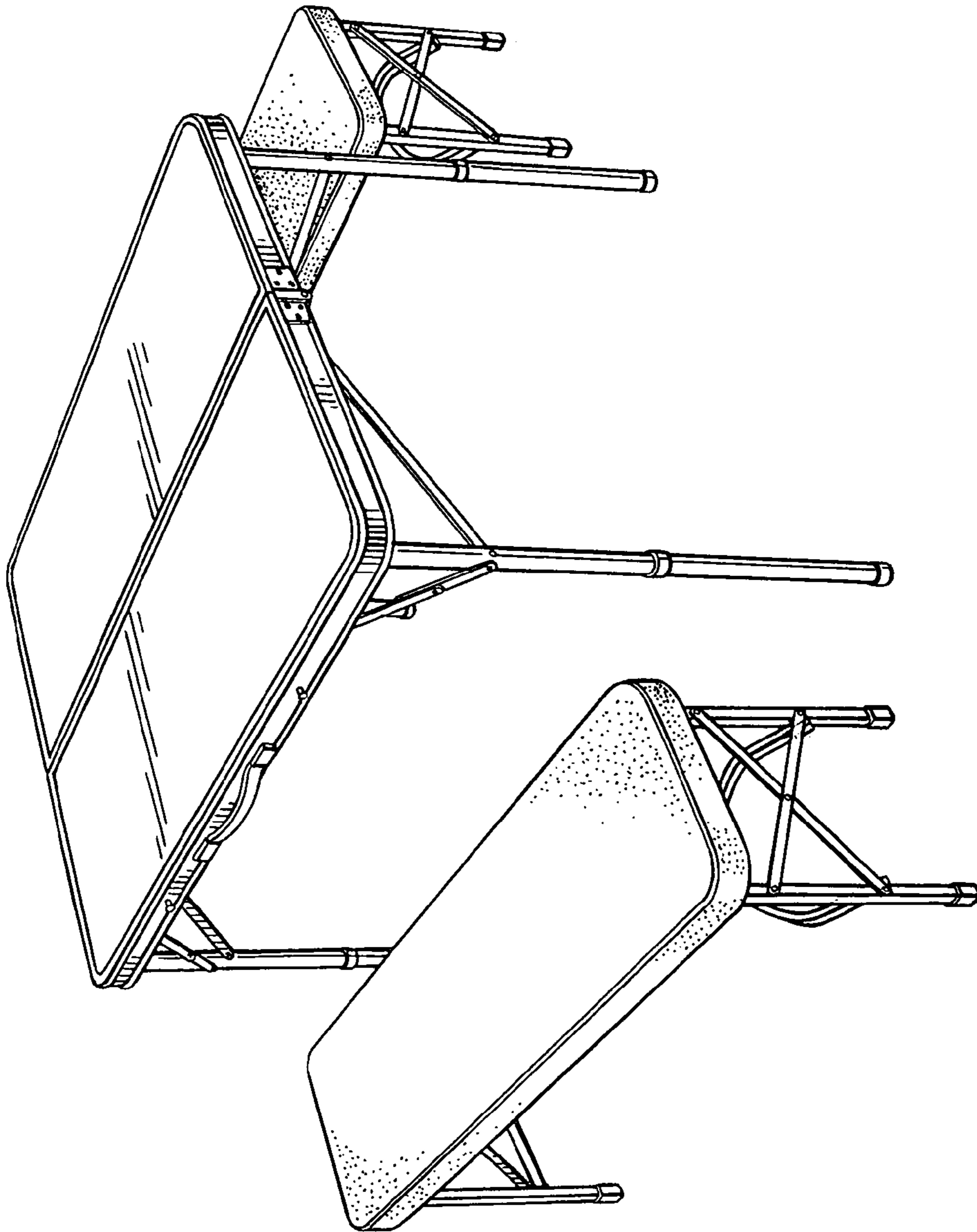
FIG. 6 is a side elevational view with the legs of the bench extended;

FIG. 7 is a bottom perspective view with the two bench seats folded and placed within the bench; and,

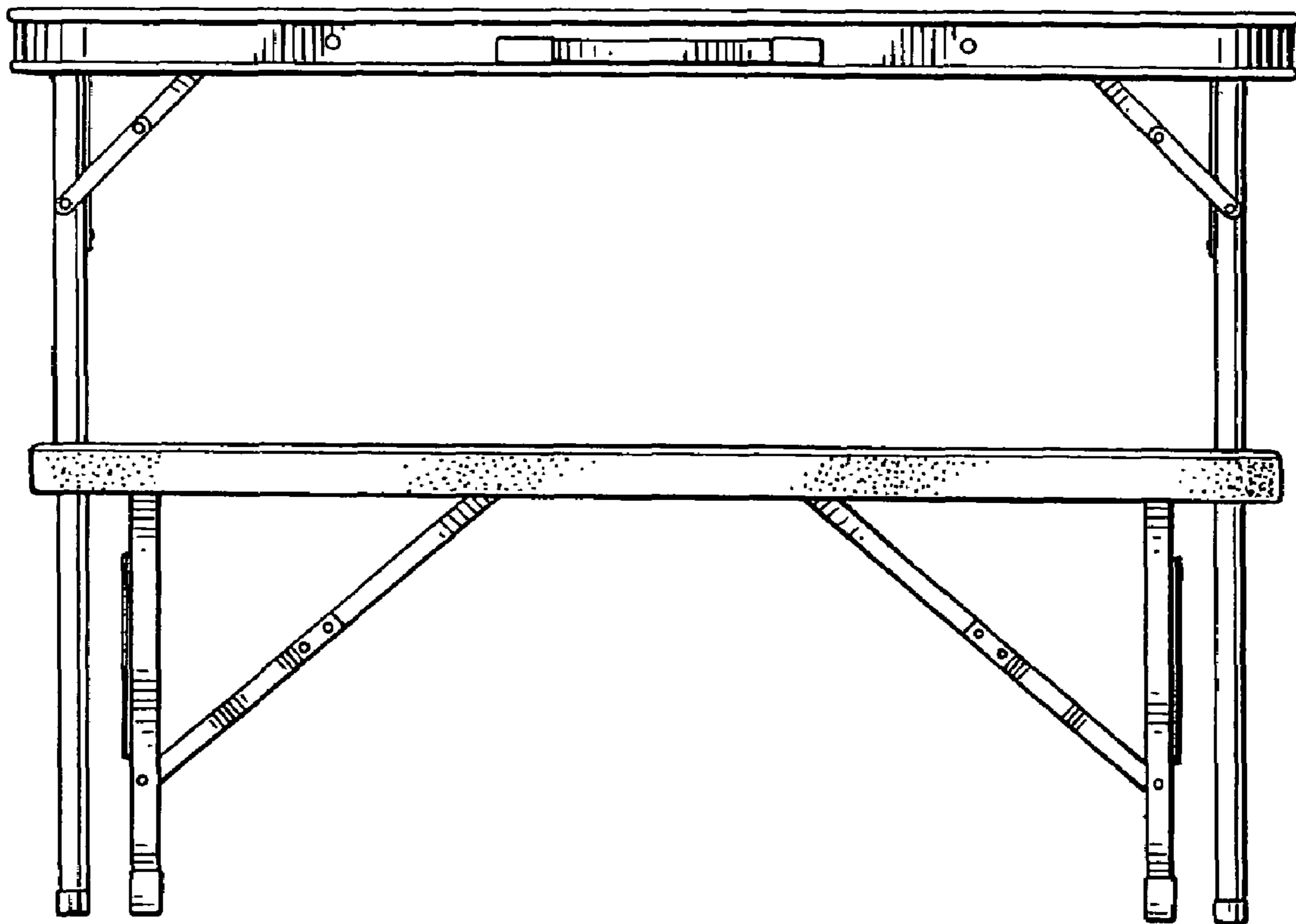
FIG. 8 is a perspective view of the foldable bench table when folded together.

**1 Claim, 8 Drawing Sheets**

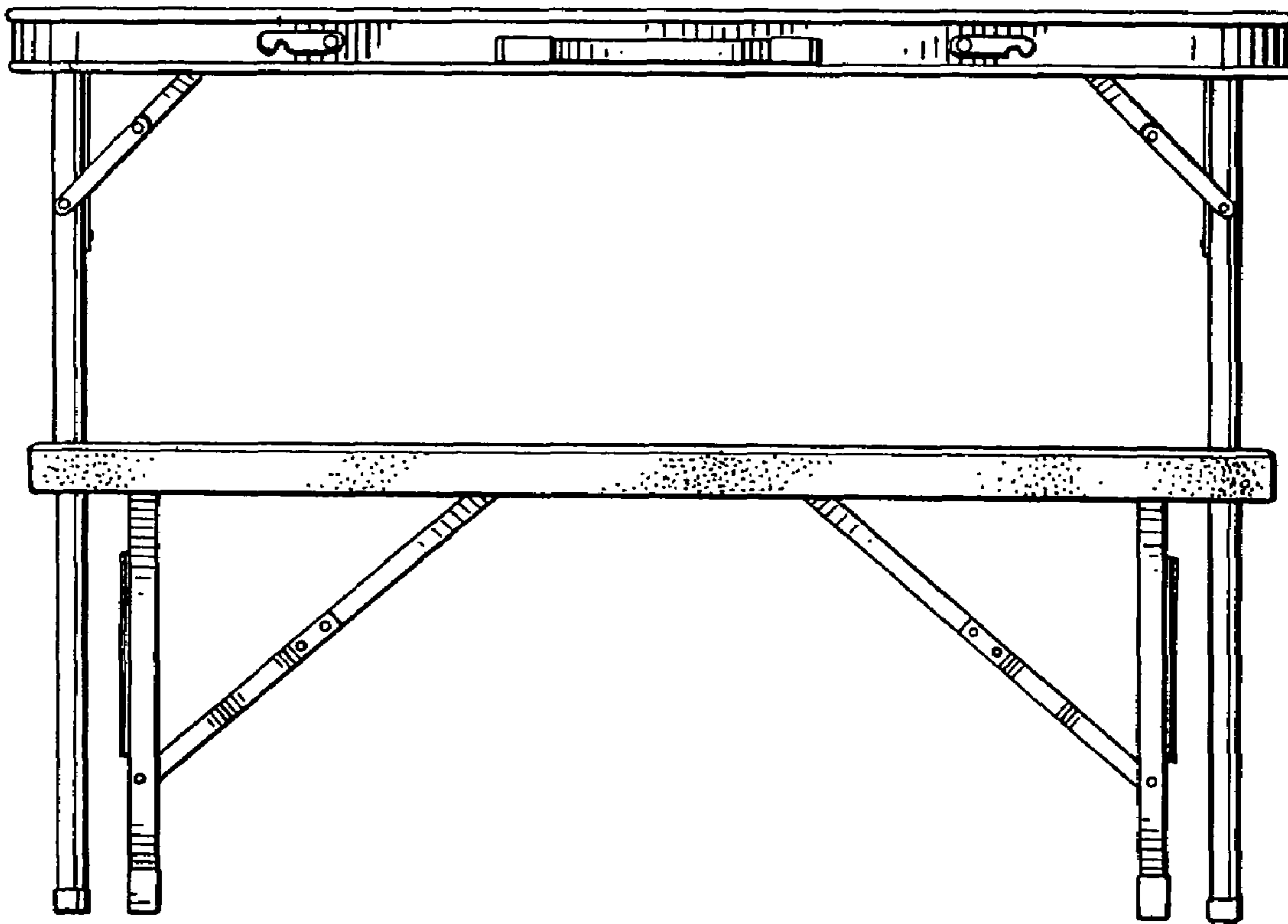




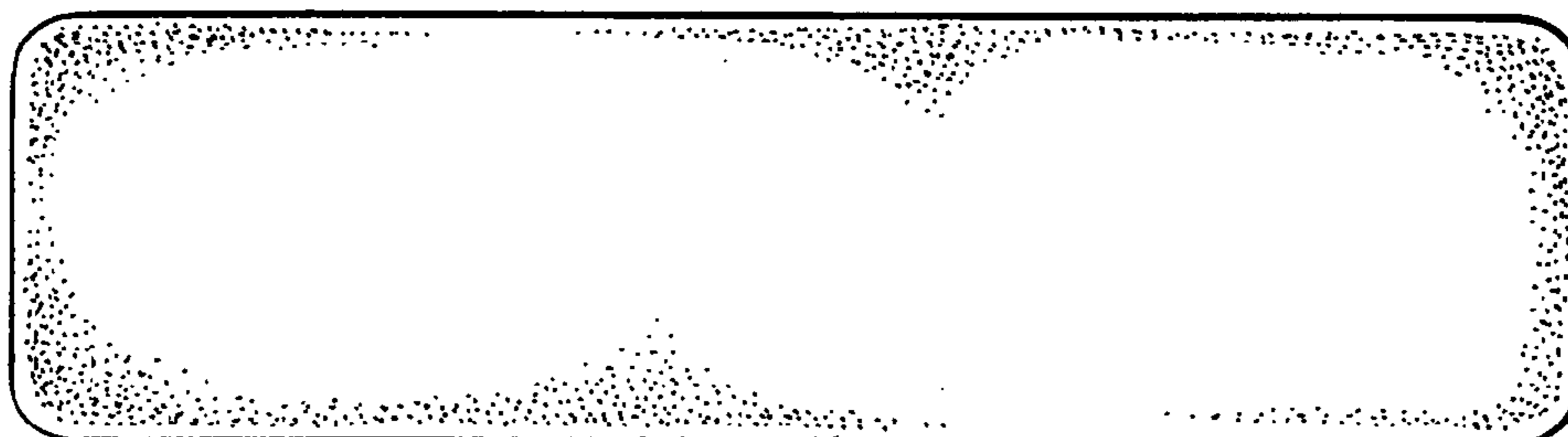
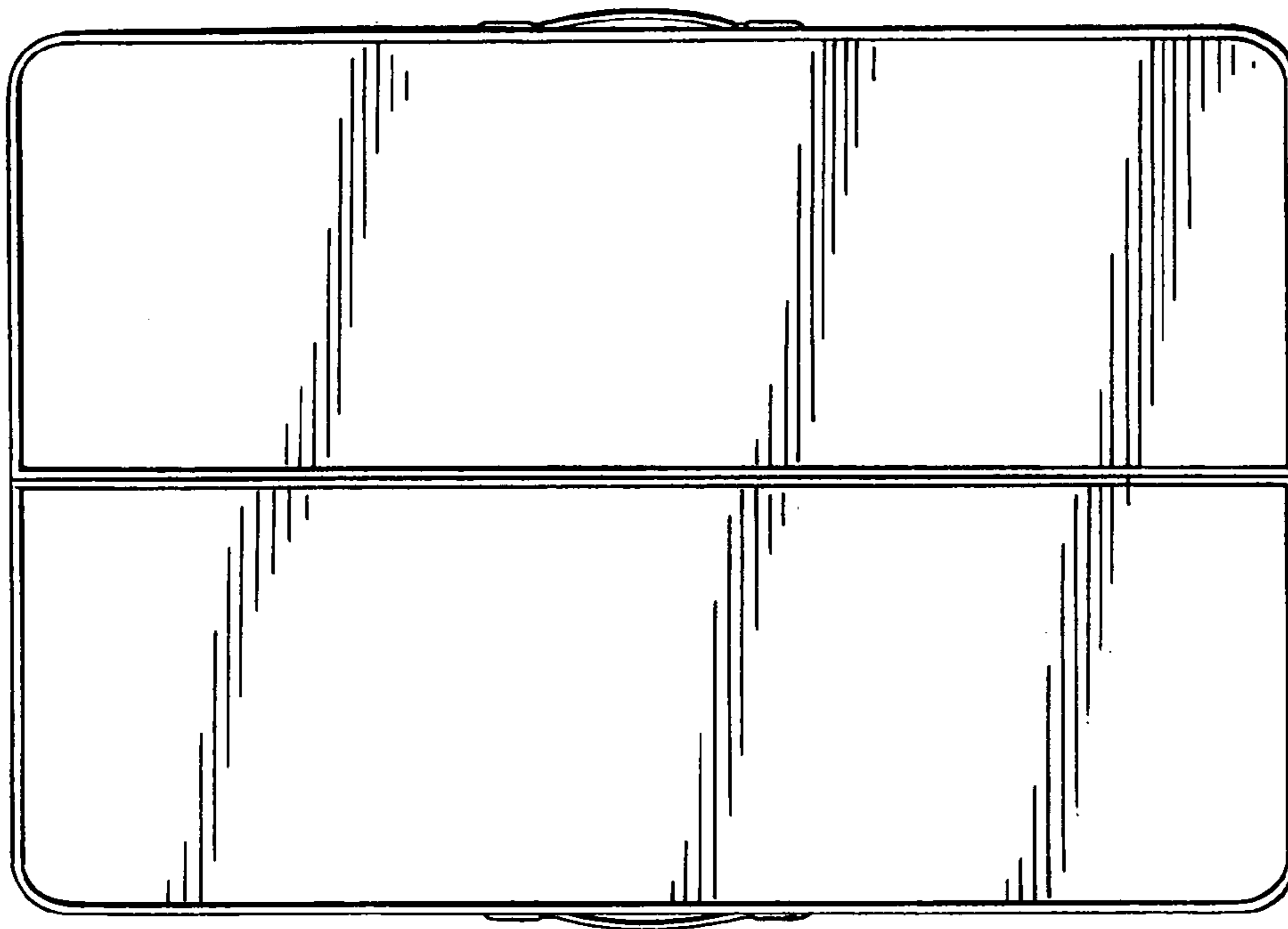
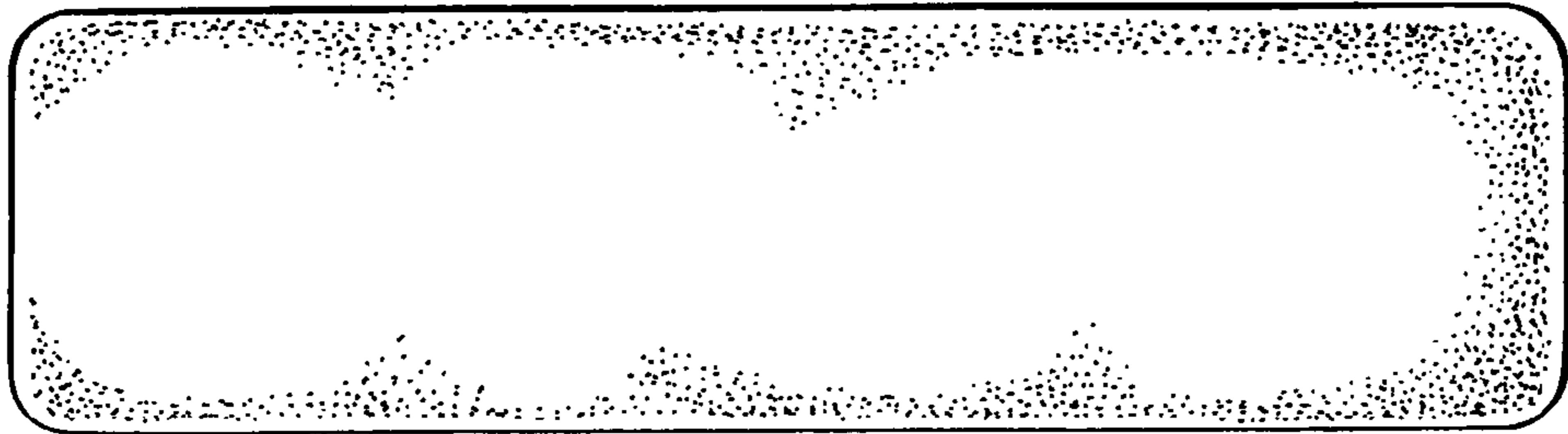
*FIG. 1*



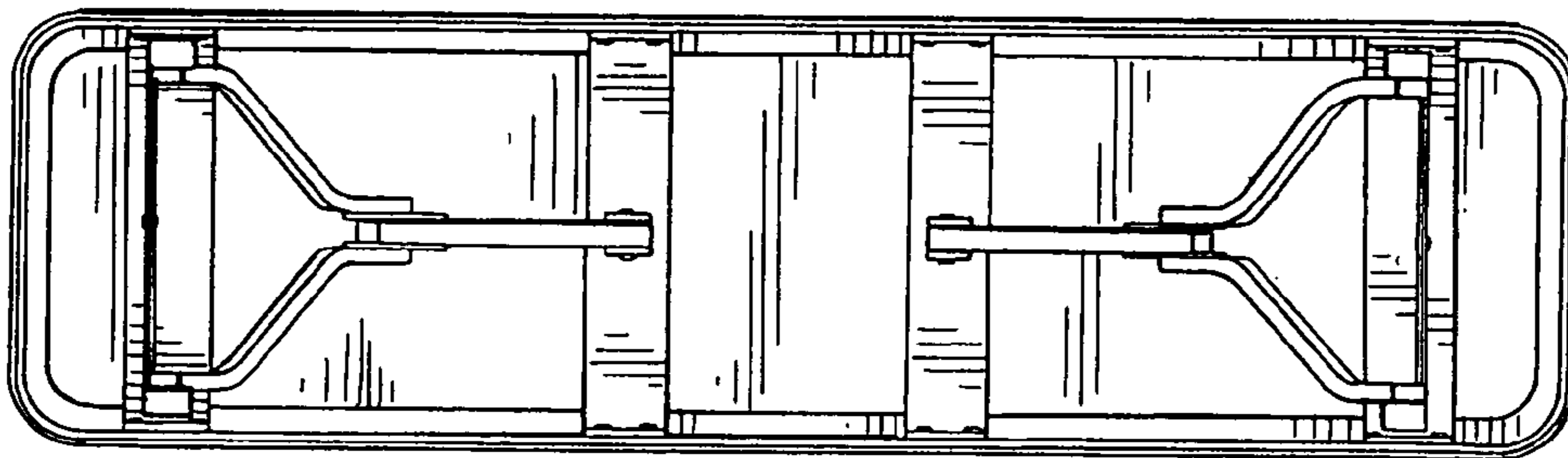
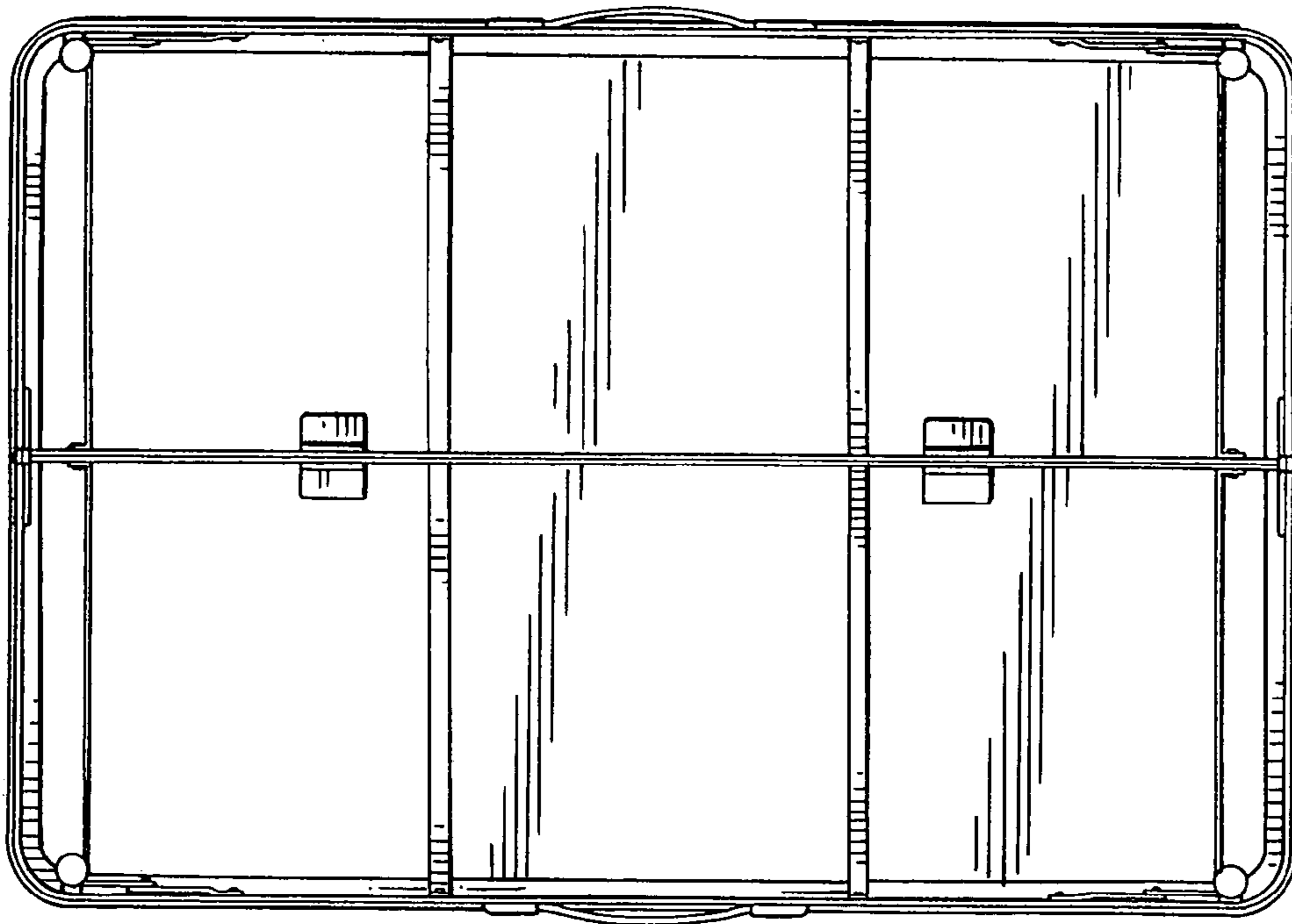
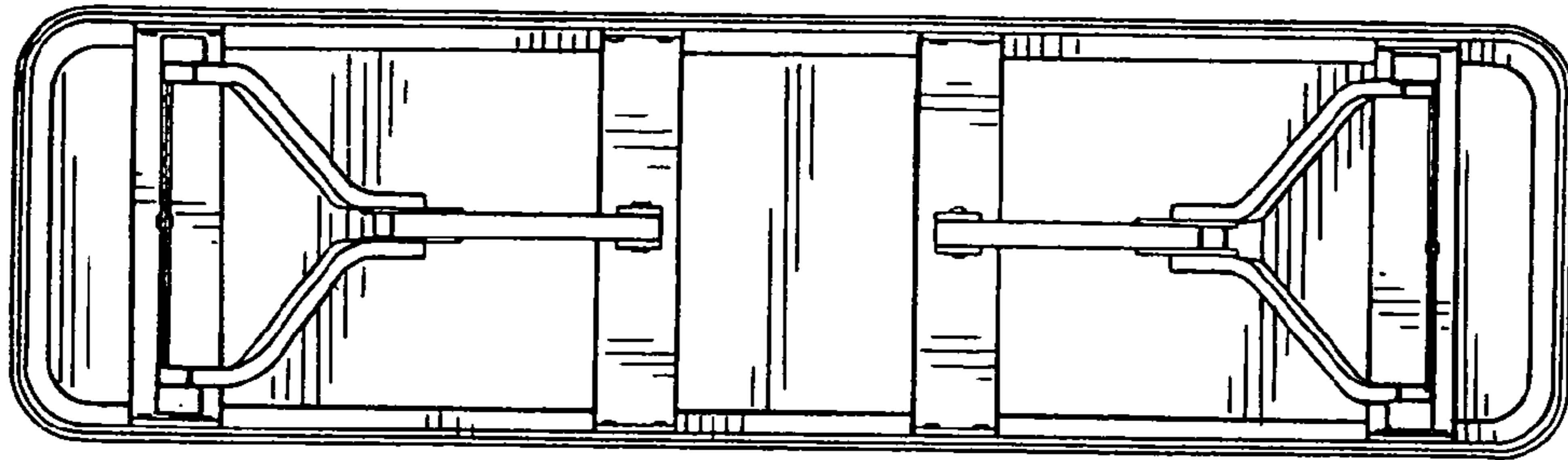
*FIG. 2*



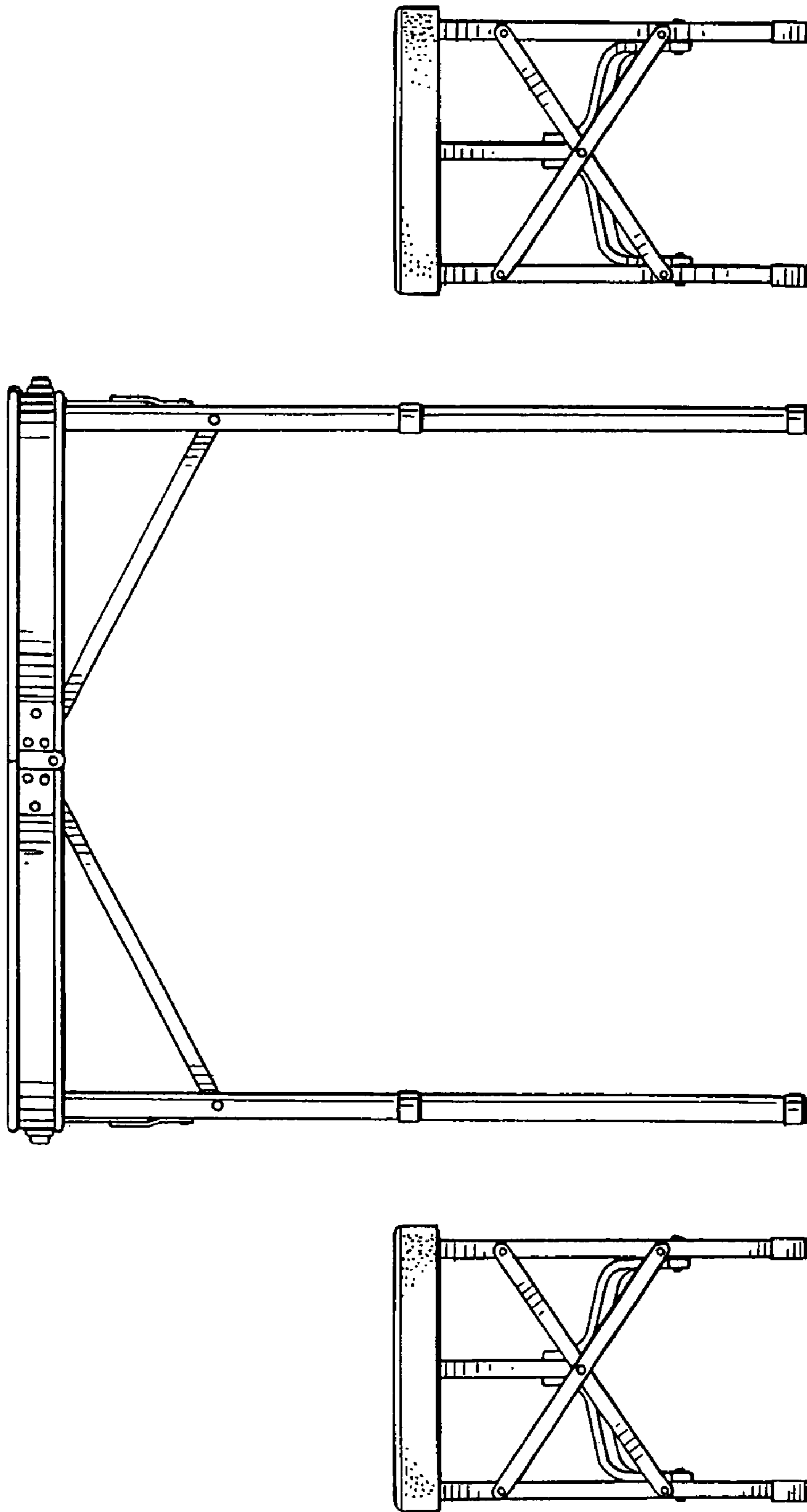
*FIG. 3*



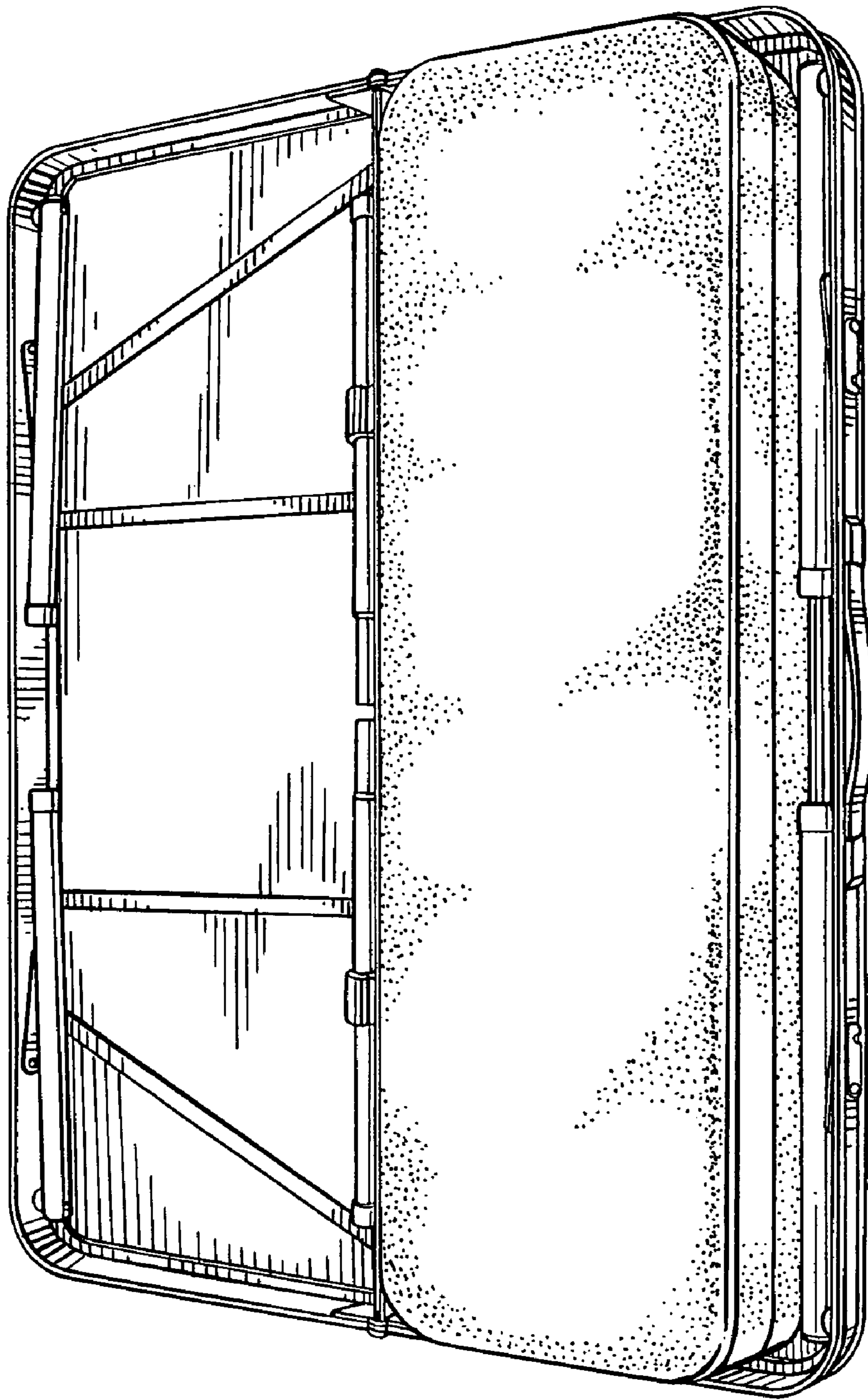
*FIG. 4*



*FIG. 5*



*FIG. 6*



*FIG. 7*



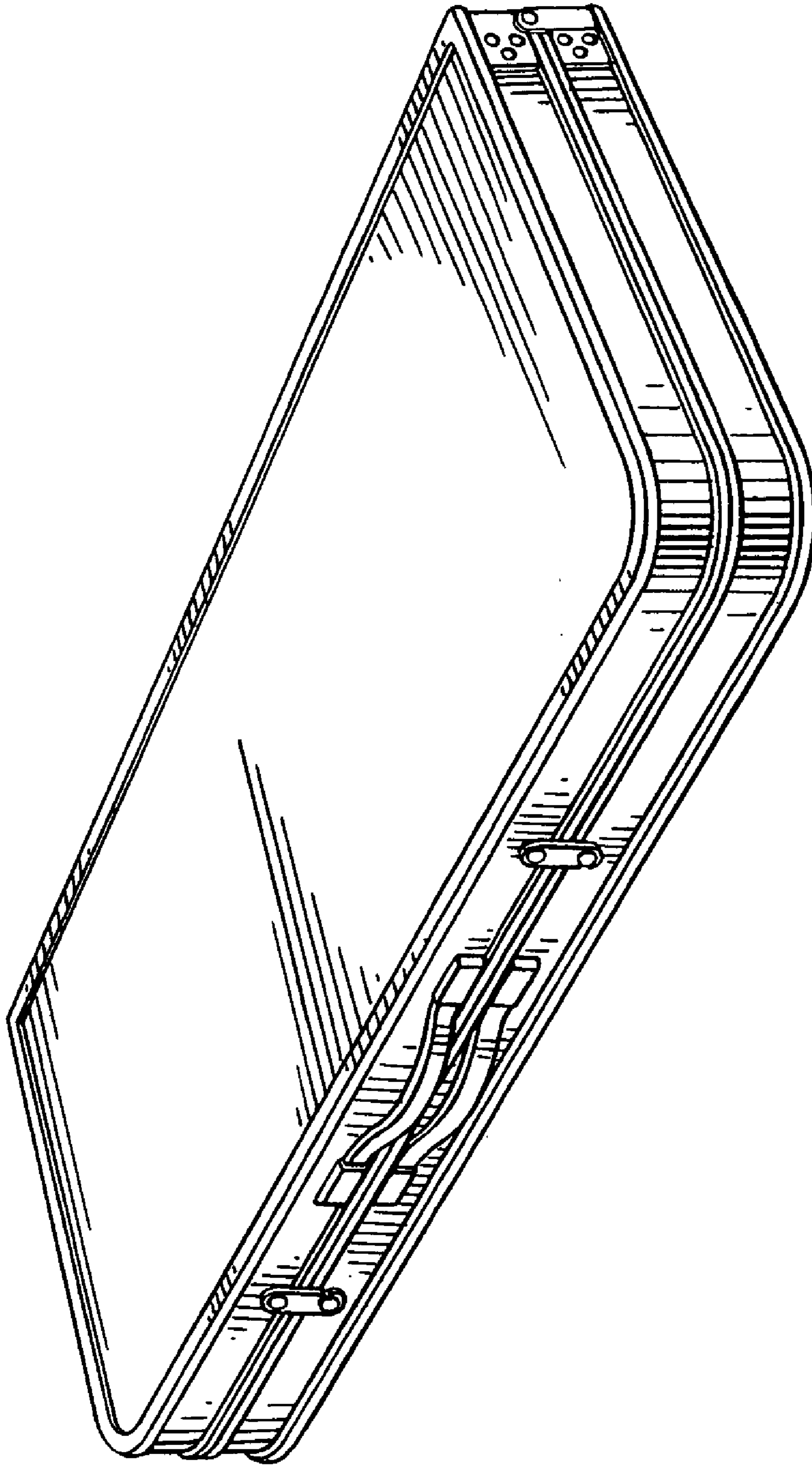


FIG. 8