



US00D553867S

(12) **United States Design Patent** (10) **Patent No.:** **US D553,867 S**  
**Williams et al.** (45) **Date of Patent:** **\*\* Oct. 30, 2007**

(54) **SOFA**  
(75) Inventors: **Otto N. Williams**, San Francisco, CA (US); **Jess A. Sorel**, Oakland, CA (US); **Joe A. Nobles**, San Francisco, CA (US)  
(73) Assignee: **Steelcase Development Corporation**, Caledonia, MI (US)  
(\*\*) Term: **14 Years**  
(21) Appl. No.: **29/195,352**  
(22) Filed: **Dec. 10, 2003**  
(51) **LOC (8) Cl.** ..... **06-01**  
(52) **U.S. Cl.** ..... **D6/335**  
(58) **Field of Classification Search** ..... D6/335, D6/334, 336, 381, 371, 373, 500, 502; 5/12.1; 297/232, 233, 248  
See application file for complete search history.

D360,310 S 7/1995 Stamberg et al.  
5,765,315 A 6/1998 Nagamitsu et al.  
D402,478 S \* 12/1998 Escobar et al. .... D6/335  
5,873,625 A 2/1999 Uchtman  
6,122,865 A 9/2000 Branc et al.  
6,209,266 B1 4/2001 Branc et al.  
D443,989 S \* 6/2001 Gomez ..... D6/335  
D448,196 S \* 9/2001 Gomez ..... D6/377  
D455,282 S \* 4/2002 Andersen et al. .... D6/381  
D461,328 S \* 8/2002 Natuzzi et al. .... D6/381  
6,427,389 B1 8/2002 Branc et al.  
6,447,067 B1 9/2002 Williams et al.  
D476,819 S 7/2003 Williams et al.  
D498,075 S \* 11/2004 Mourgue ..... D6/381  
D526,803 S \* 8/2006 Lee ..... D6/381  
D536,899 S \* 2/2007 Nicoletti ..... D6/381  
D540,062 S \* 4/2007 Natuzzi ..... D6/381  
D541,070 S \* 4/2007 Nicoletti ..... D6/381

\* cited by examiner

*Primary Examiner*—Caron D. Veynar  
*Assistant Examiner*—Sydney R. Buffalow  
(74) *Attorney, Agent, or Firm*—Price, Heneveld, Cooper, DeWitt & Litton LLP

(56) **References Cited**

U.S. PATENT DOCUMENTS

1,923,517 A 3/1933 Swanniger  
D169,911 S \* 6/1953 Netzer ..... D6/381  
D170,122 S \* 8/1953 Jorgensen ..... D6/381  
D170,190 S \* 8/1953 Glass ..... D6/381  
D171,368 S \* 1/1954 Rothstien ..... D6/381  
D175,877 S \* 10/1955 Bartolucci ..... D6/381  
D188,489 S \* 8/1960 Otto ..... D6/381  
2,985,892 A \* 5/1961 Garrigus, Sr. et al. .... 5/12.1  
3,110,909 A \* 11/1963 Bendell ..... 5/12.1  
D230,918 S 3/1974 Andrus  
3,826,533 A 7/1974 Andrus et al.  
3,869,992 A 3/1975 Kramer  
4,084,849 A 4/1978 Ishida et al.  
4,090,754 A 5/1978 Kavis  
4,230,363 A 10/1980 Borichevsky  
D273,254 S 4/1984 Fairaizen  
4,641,837 A 2/1987 Ruth  
5,154,473 A 10/1992 Joranco  
5,203,363 A 4/1993 Kidwell et al.  
5,342,114 A 8/1994 Burke et al.

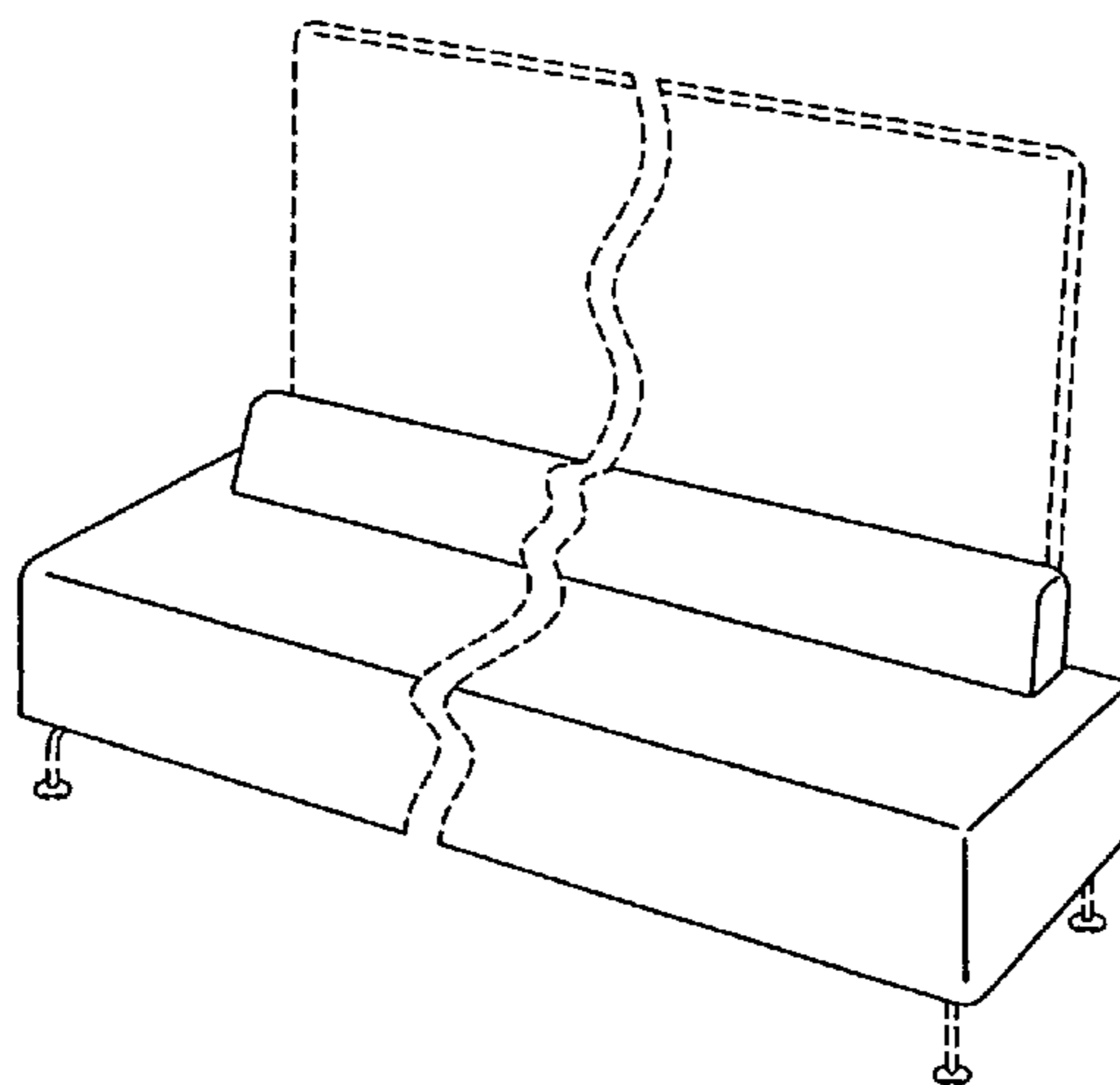
(57) **CLAIM**

We claim the ornamental design for a sofa, as shown and described.

**DESCRIPTION**

FIG. 1 is a front perspective view of a furniture system embodying the present invention;  
FIG. 2 is a front view of FIG. 1;  
FIG. 3 is a top view of FIG. 1;  
FIG. 4 is a rear view of FIG. 1;  
FIG. 5 is a right side view of FIG. 1; and,  
FIG. 6 is a left side view of FIG. 1.  
The dashed lines in FIGS. 1–6 show environment and form no part of the claimed design.

**1 Claim, 2 Drawing Sheets**



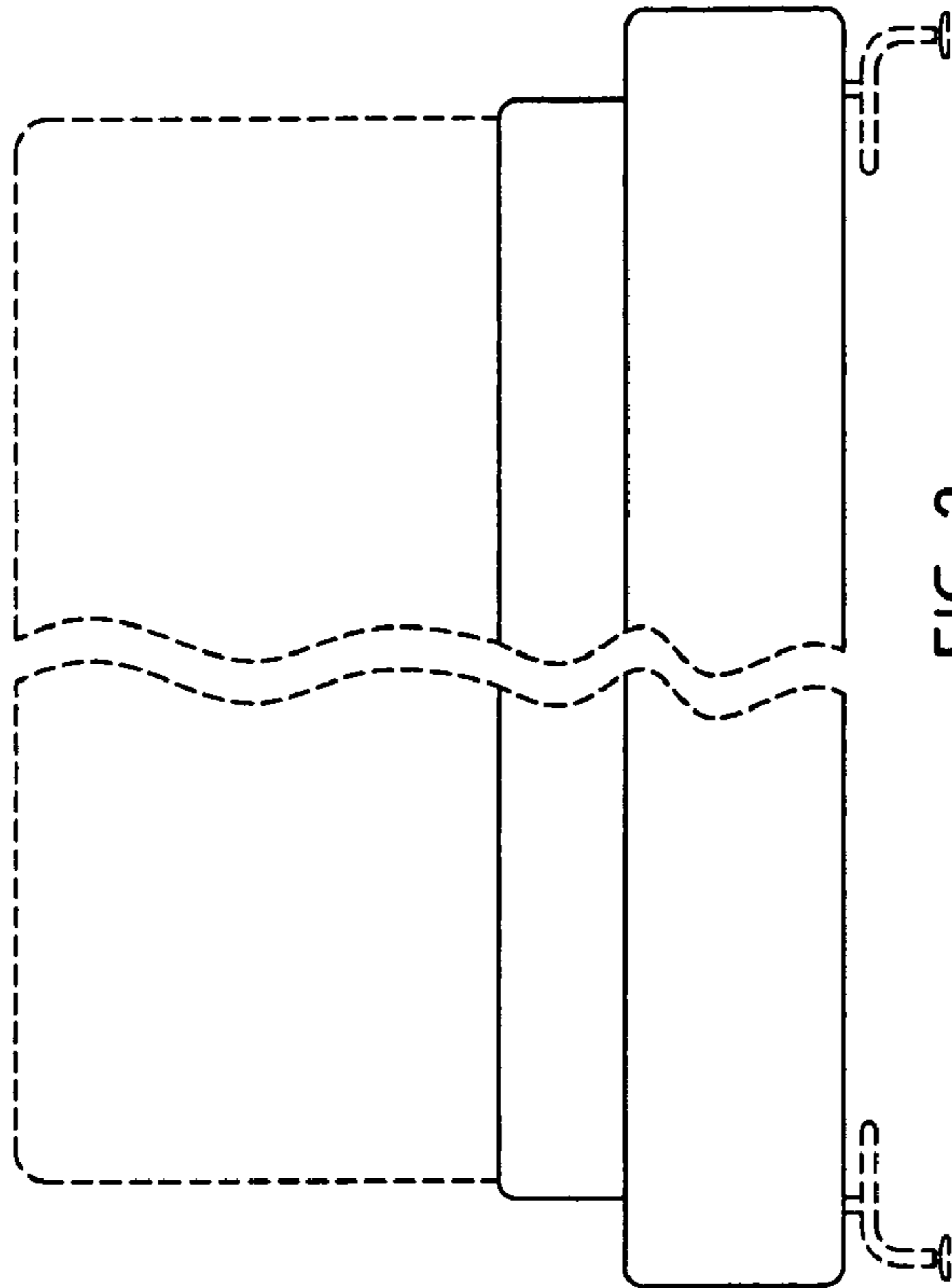


FIG. 2

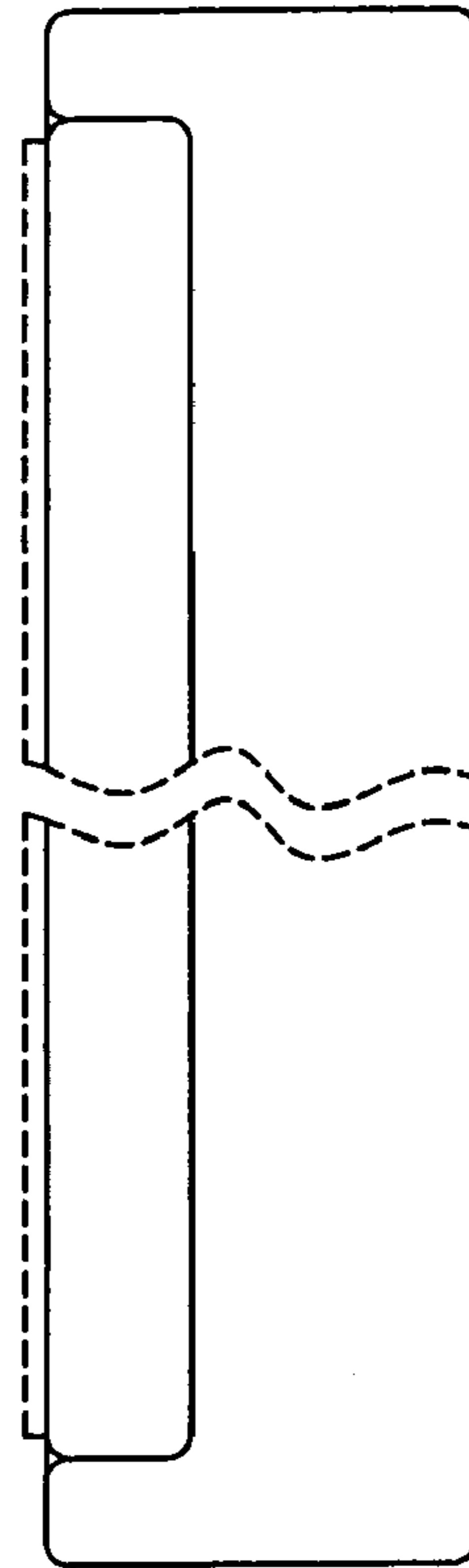


FIG. 3

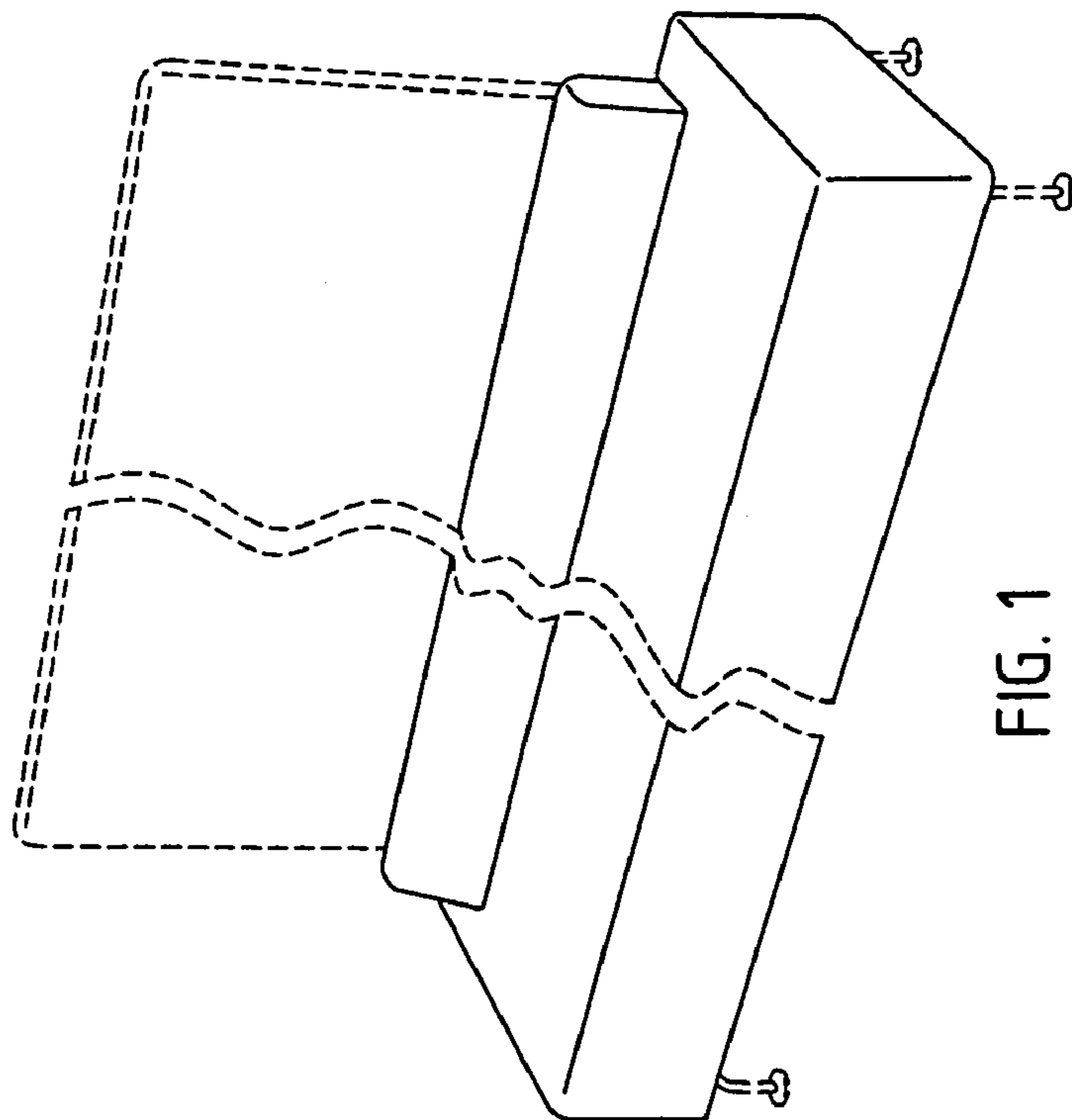


FIG. 1

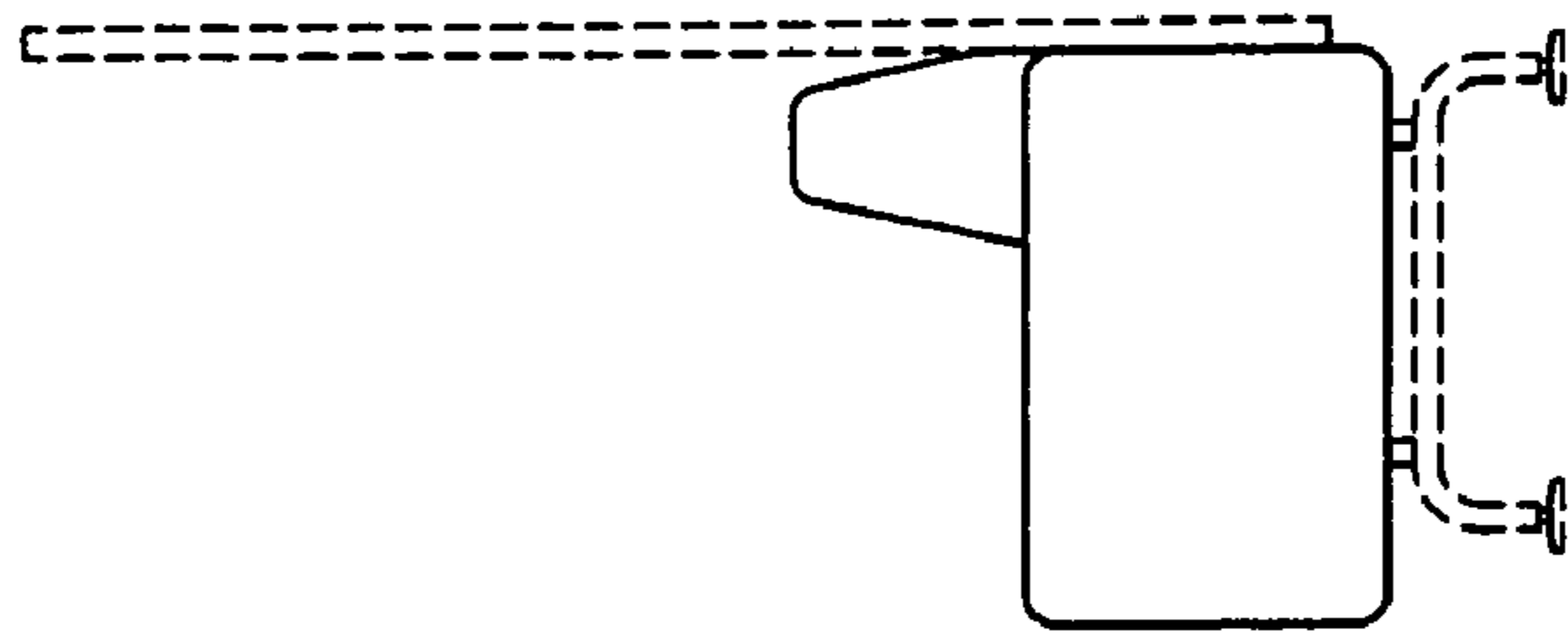


FIG. 6

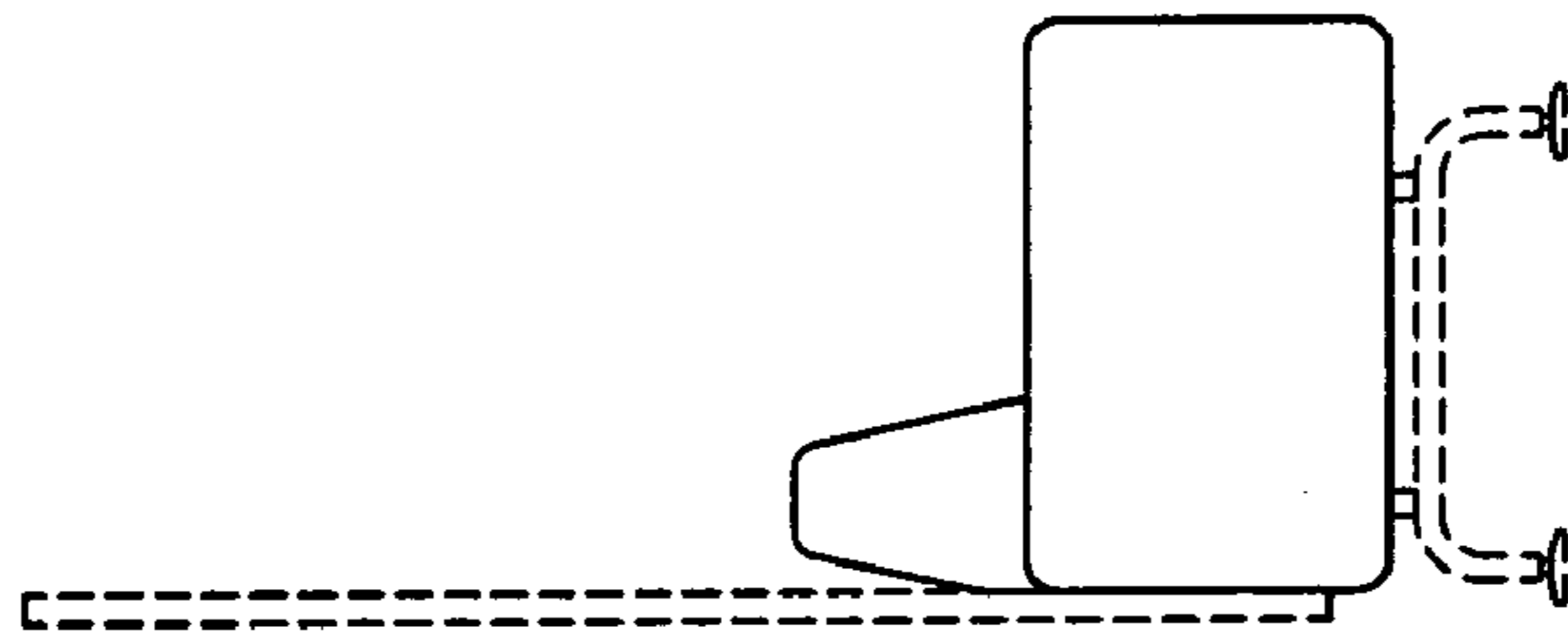


FIG. 5

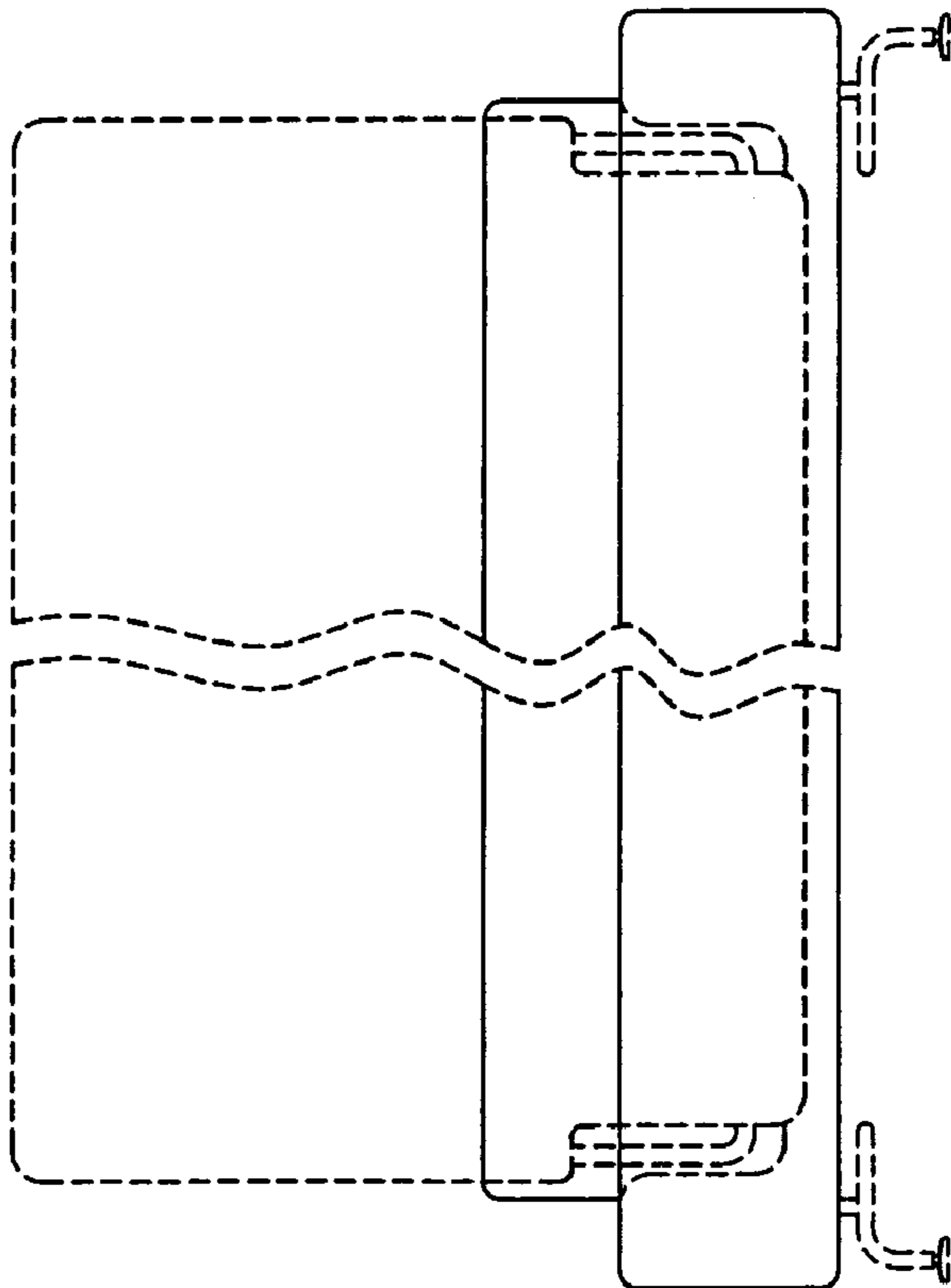


FIG. 4