



US00D553863S

(12) **United States Design Patent**
Stengel et al.

(10) **Patent No.:** **US D553,863 S**

(45) **Date of Patent:** **** Oct. 30, 2007**

(54) **COLLAPSIBLE EASEL**

2006/0192071 A1 8/2006 Choi

(76) Inventors: **Michael John Stengel**, 14368 Cedar Springs Dr., Town and Country, MO (US) 63017; **Trung Q. Do**, 10976 Whitbyhall Dr., Bridgeton, MO (US) 63044

* cited by examiner

Primary Examiner—Caron D. Veynar
Assistant Examiner—Sydney R. Buffalow

(**) Term: **14 Years**

(21) Appl. No.: **29/250,595**

(22) Filed: **Nov. 22, 2006**

(51) **LOC (8) Cl.** **06-07**

(52) **U.S. Cl.** **D6/312**

(58) **Field of Classification Search** D6/300–304,
D6/308–319; D20/10, 40; 40/700, 745,
40/765, 780, 790, 798; 248/441.1, 455, 445,
248/448, 454, 460, 462, 463, 464, 465, 188.5,
248/163.1, 451

See application file for complete search history.

(56) **References Cited**

U.S. PATENT DOCUMENTS

| | | | | | |
|--------------|------|---------|----------------|-------|-----------|
| 1,896,086 | A * | 2/1933 | Howell | | 248/188.5 |
| 2,744,712 | A * | 5/1956 | Brandt | | 248/451 |
| 4,017,049 | A * | 4/1977 | Albee, Jr. | | 248/464 |
| D251,820 | S * | 5/1979 | Stark | | D6/312 |
| 4,171,116 | A * | 10/1979 | Carver et al. | | 248/464 |
| 4,326,687 | A * | 4/1982 | Clyburn | | 248/168 |
| D272,788 | S * | 2/1984 | Churley | | D6/311 |
| D282,320 | S * | 1/1986 | Anderson | | D6/300 |
| D291,153 | S * | 8/1987 | Nakatani | | D6/312 |
| D292,045 | S * | 9/1987 | McDowell | | D6/311 |
| 4,826,125 | A * | 5/1989 | Kelley | | 248/463 |
| 5,125,613 | A * | 6/1992 | Albee et al. | | 248/464 |
| 5,518,217 | A * | 5/1996 | Deutsch et al. | | 248/463 |
| D424,308 | S * | 5/2000 | Hutten | | D6/312 |
| 6,179,266 | B1 * | 1/2001 | Hutten | | 248/465 |
| 6,202,974 | B1 | 3/2001 | Rellinger | | |
| 7,118,084 | B2 | 10/2006 | Park | | |
| 2005/0258317 | A1 * | 11/2005 | Weder | | 248/163.1 |
| 2006/0060747 | A1 | 3/2006 | Chun-Ching | | |

(57) **CLAIM**

The ornamental design for a collapsible easel, as shown and described.

DESCRIPTION

FIG. 1 is a front/side perspective of a collapsible easel showing my new design, with the bracket members shown in an outward position;

FIG. 2 is a top elevation view of FIG. 1;

FIG. 3 is a side view of FIG. 1, the opposite side being a mirror image thereof;

FIG. 4 is a front elevation view of FIG. 1,

FIG. 5 is a back elevation view of FIG. 1;

FIG. 6 is a bottom elevation view of FIG. 1;

FIG. 7 is a front/side perspective of a collapsible easel showing my new design, with the bracket members shown in a folded position;

FIG. 8 is a front/side perspective of a second embodiment of a collapsible easel showing my new design, with the bracket members shown in an outward position;

FIG. 9 is a top elevation view of FIG. 8 with the bracket members shown in a folded position;

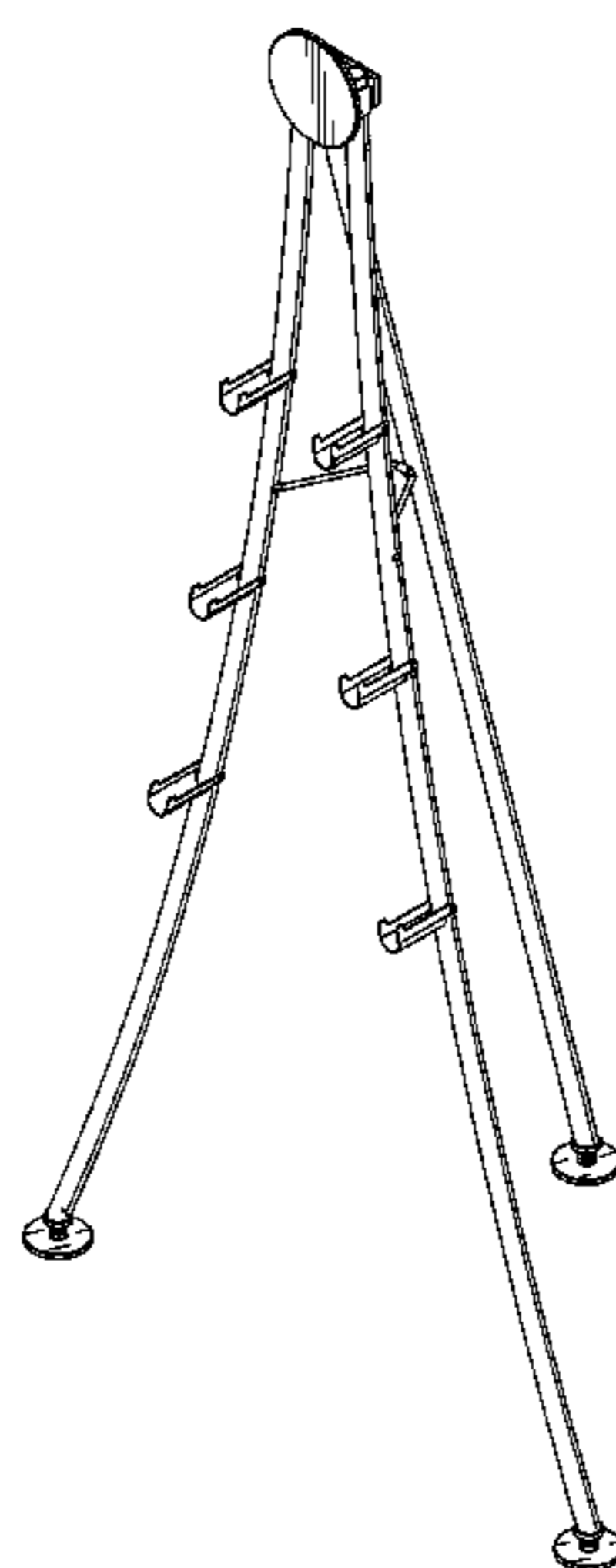
FIG. 10 is a side view of FIG. 8 with bracket members shown in an outward position, the opposite side being a mirror image thereof;

FIG. 11 is a front elevation view of FIG. 8;

FIG. 12 is a back elevation view of FIG. 8; and,

FIG. 13 is a bottom elevation view of FIG. 8 with the brackets members shown in the folded position.

1 Claim, 13 Drawing Sheets



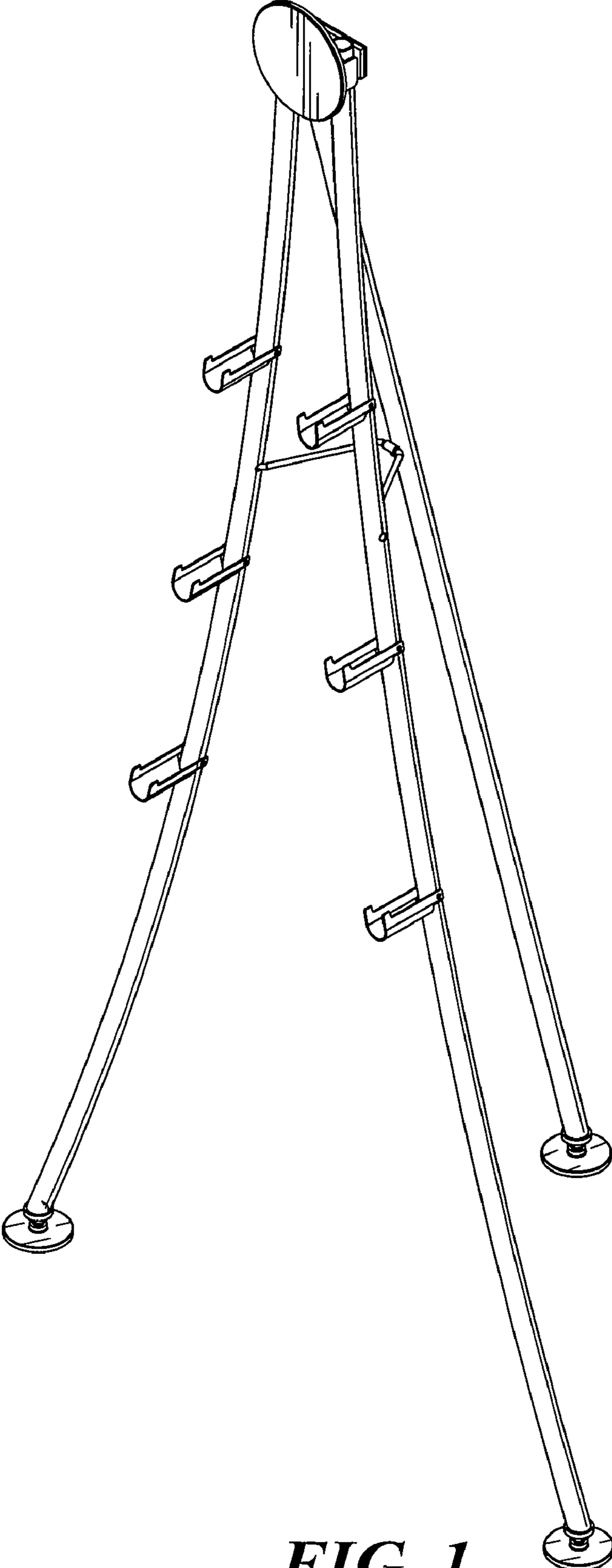


FIG. 1

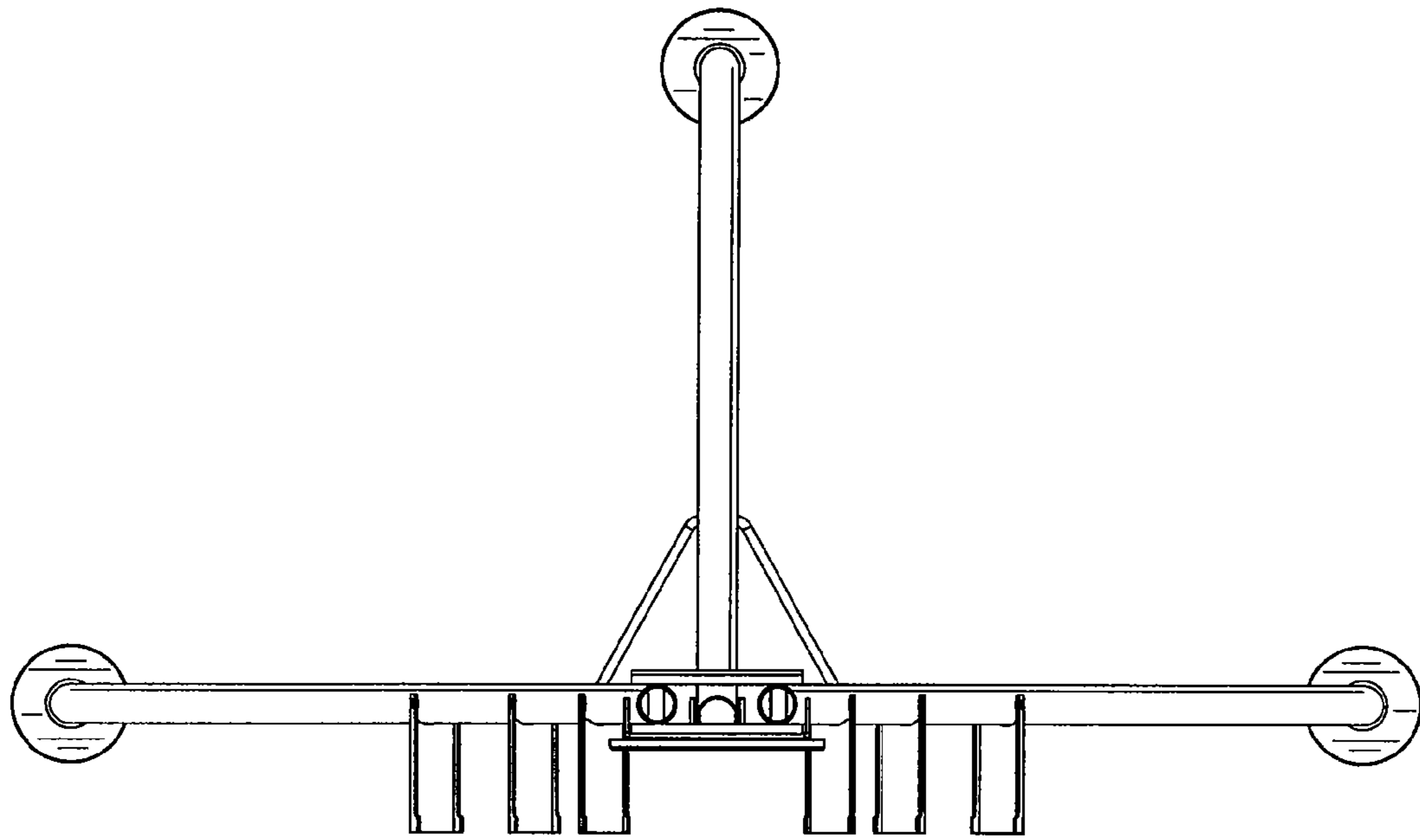
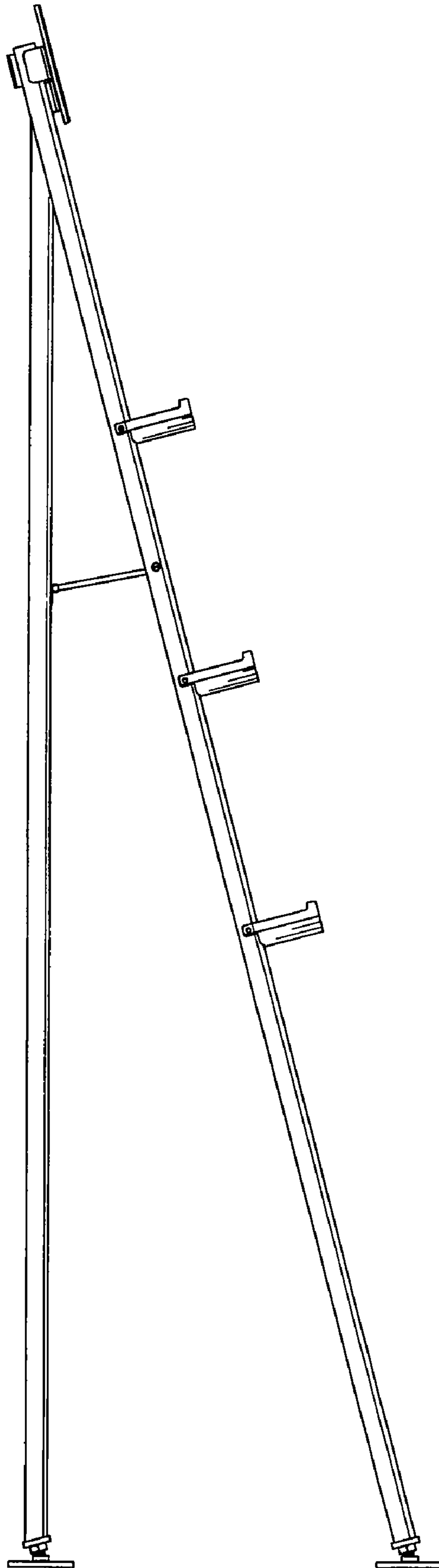


FIG. 2

FIG. 3



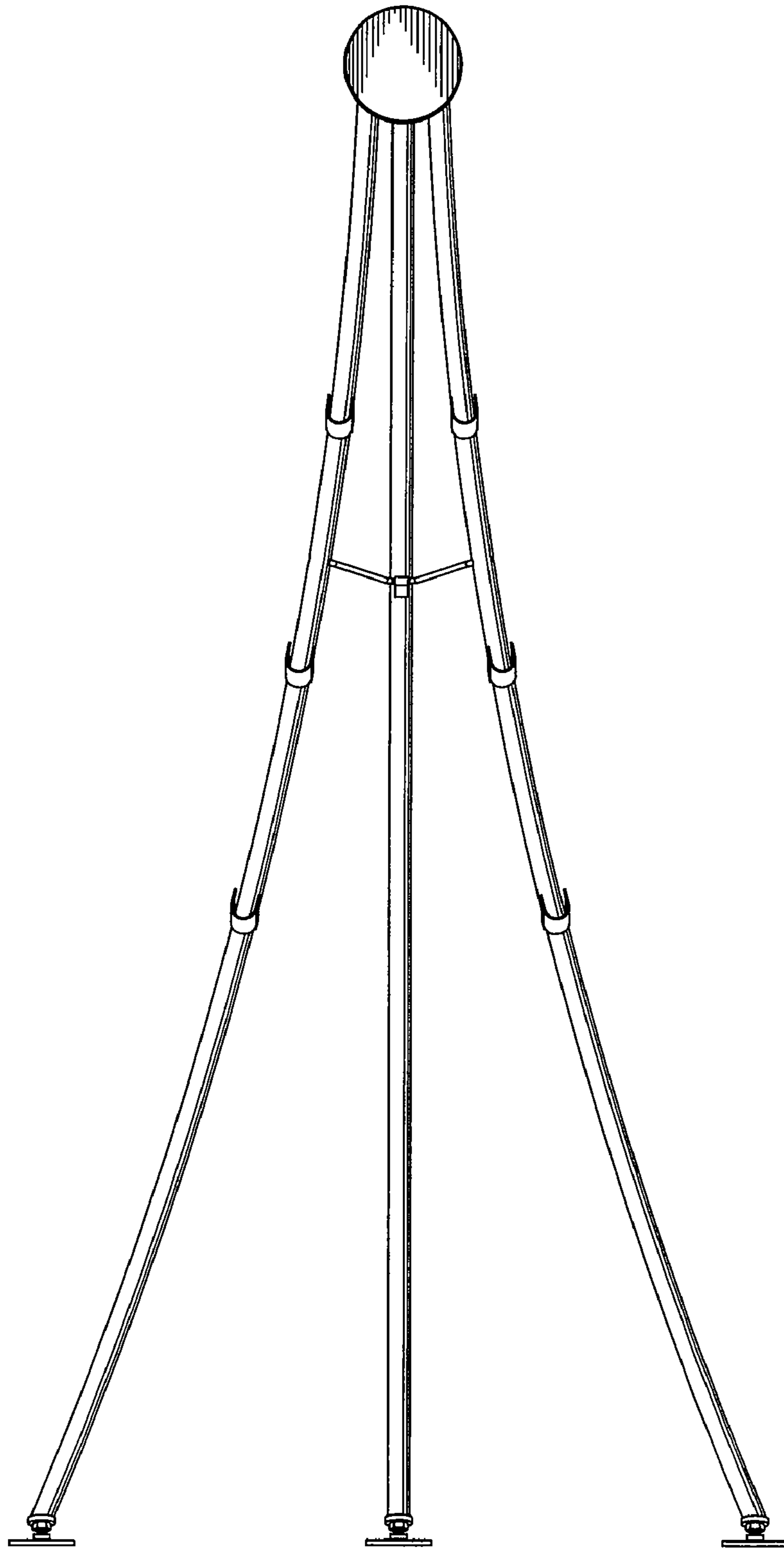


FIG. 4

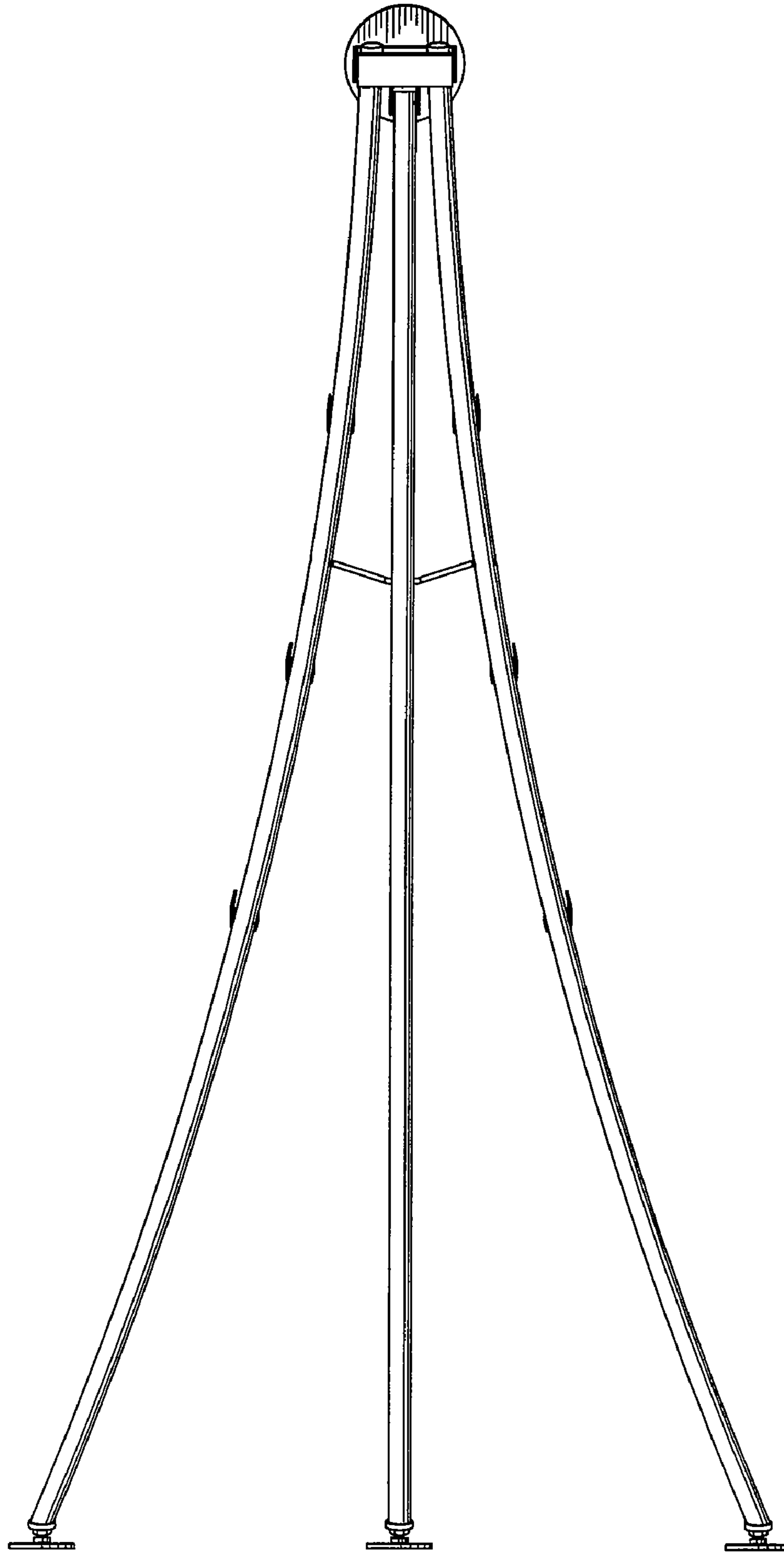


FIG. 5

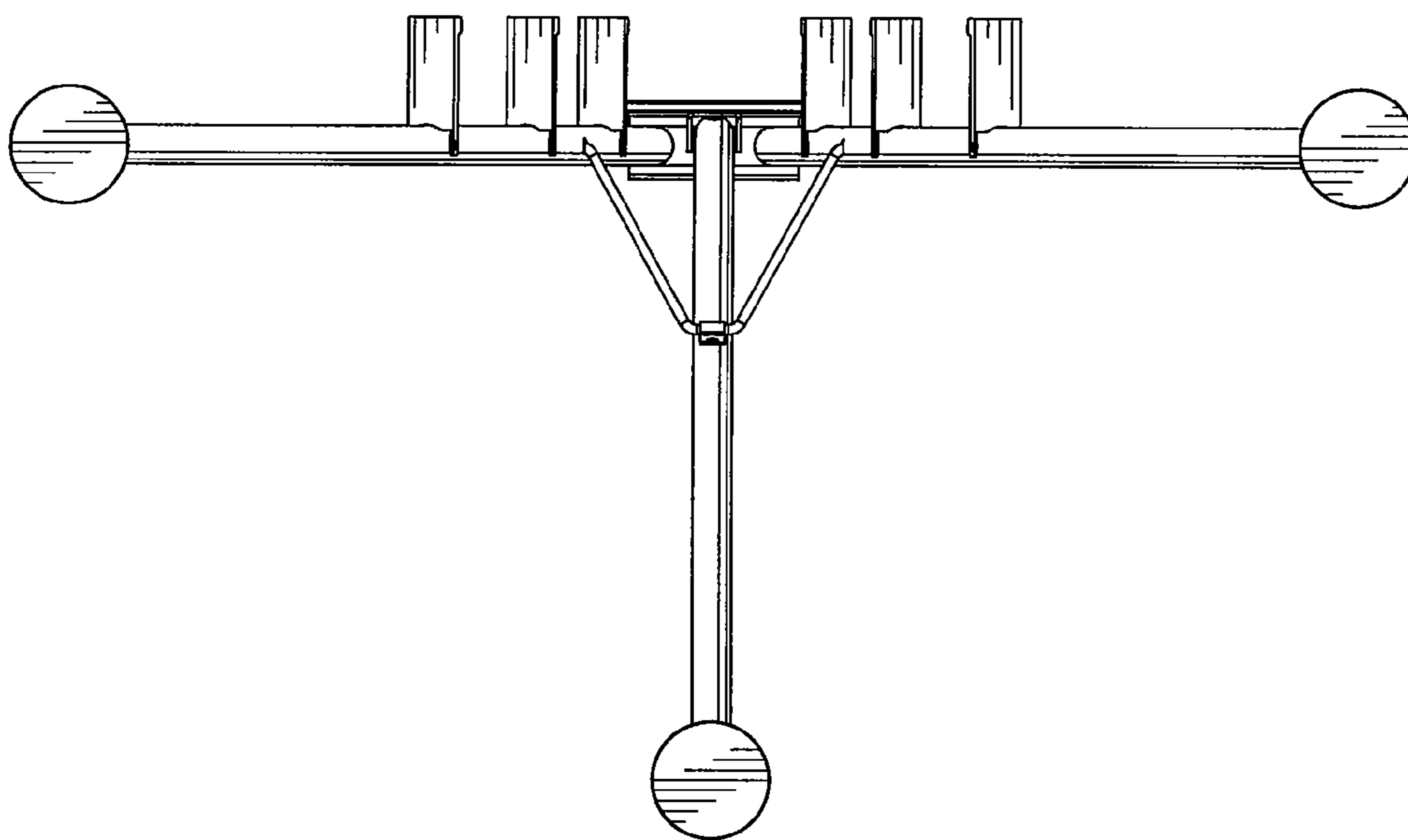


FIG. 6

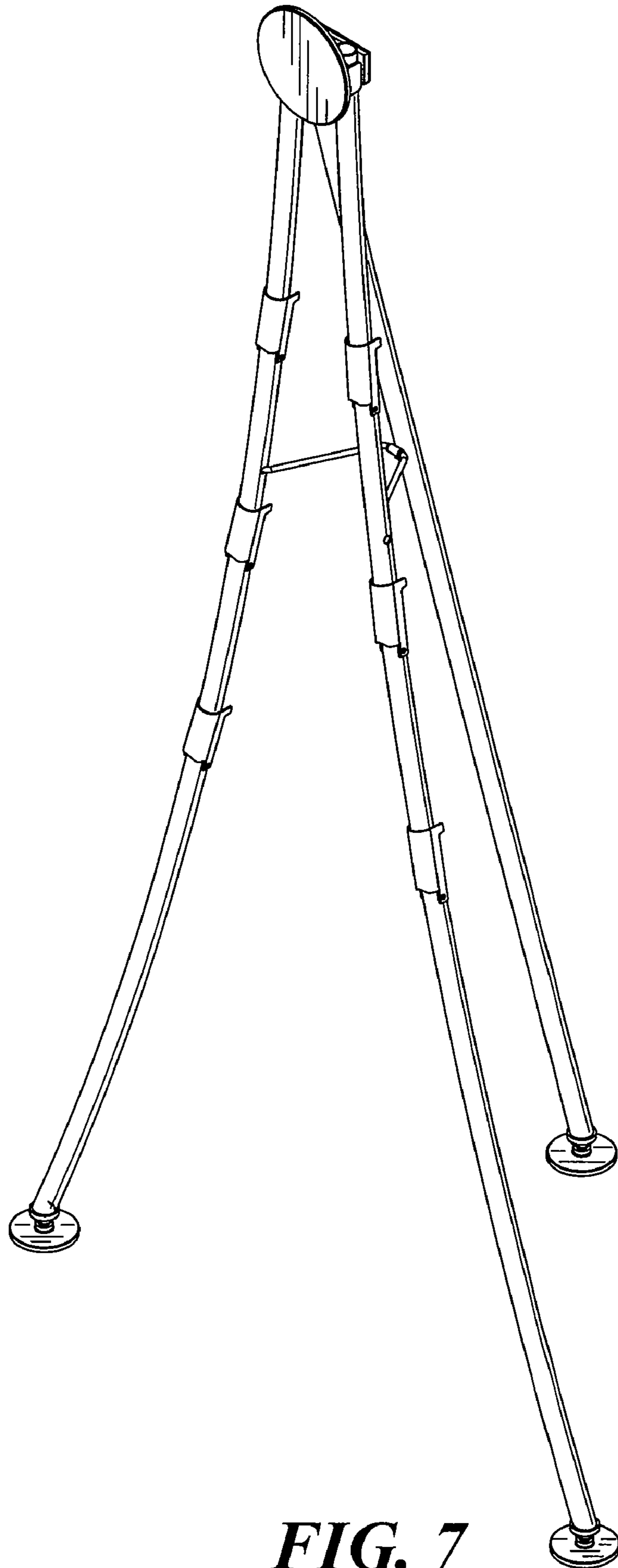


FIG. 7

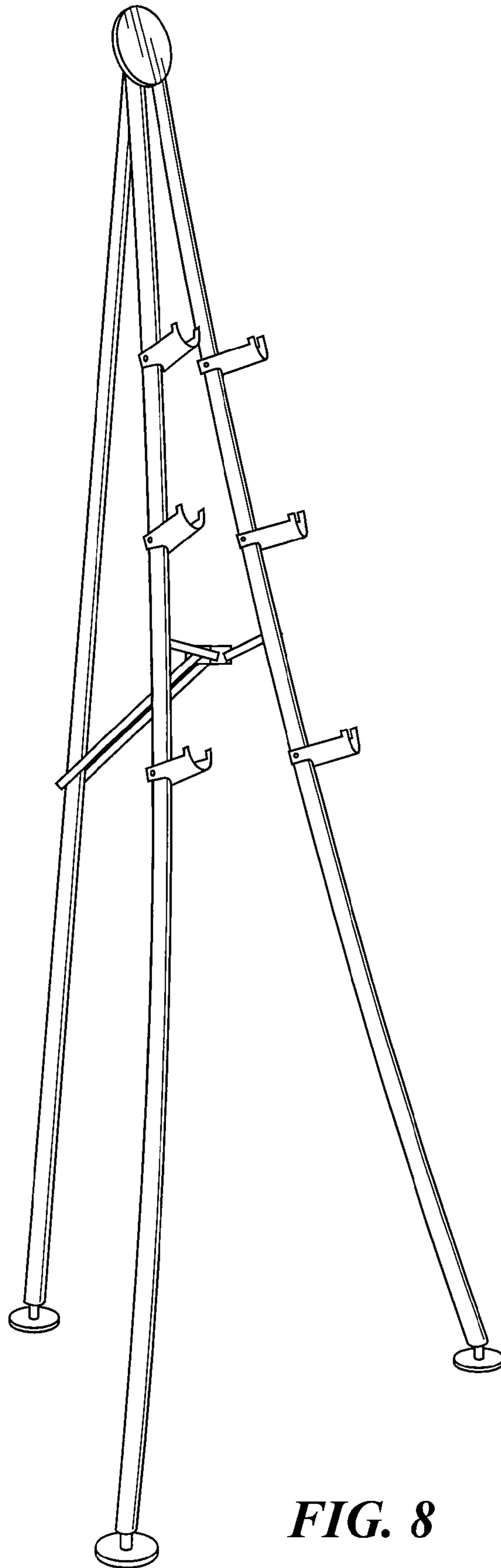


FIG. 8

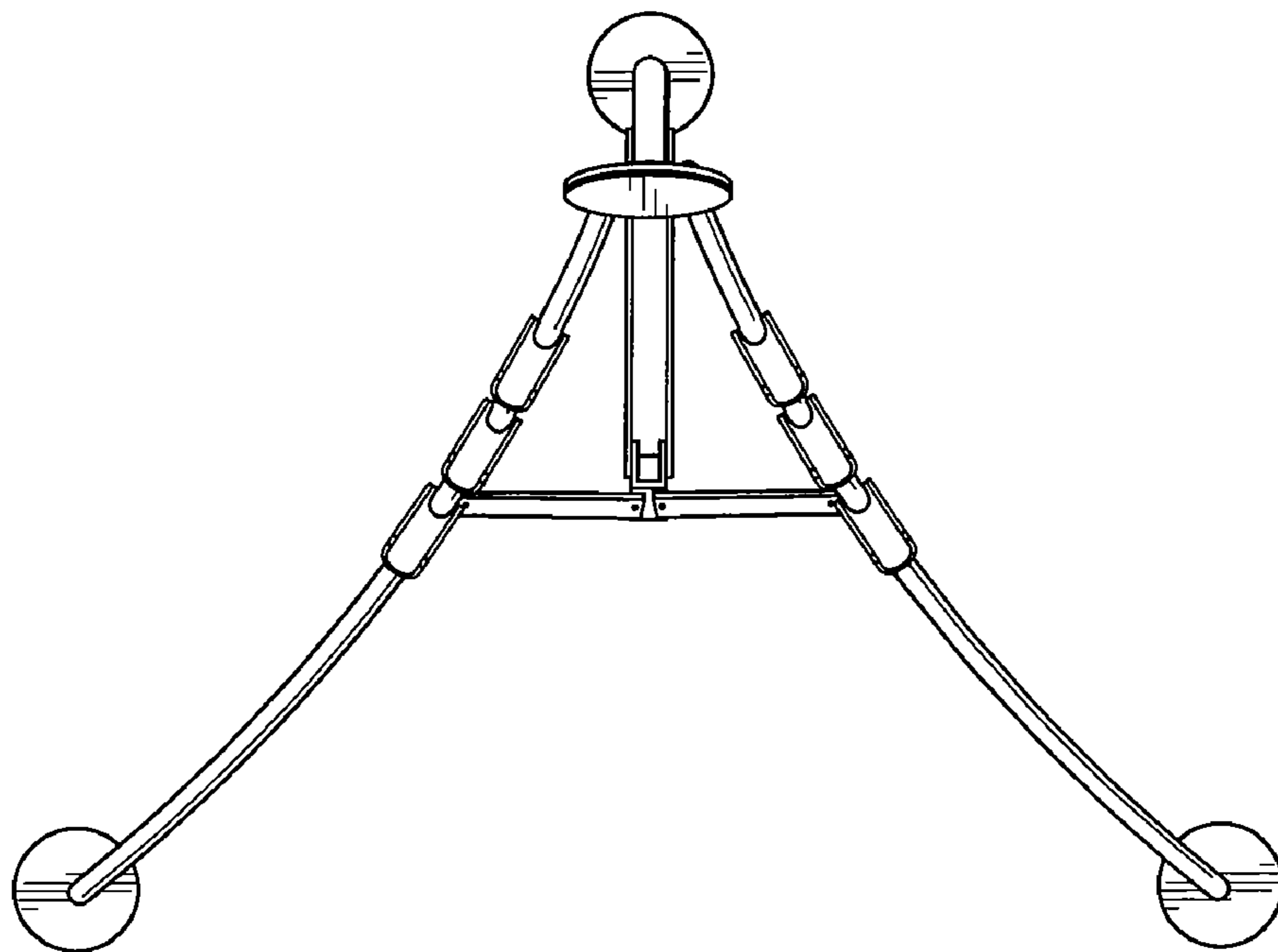


FIG. 9

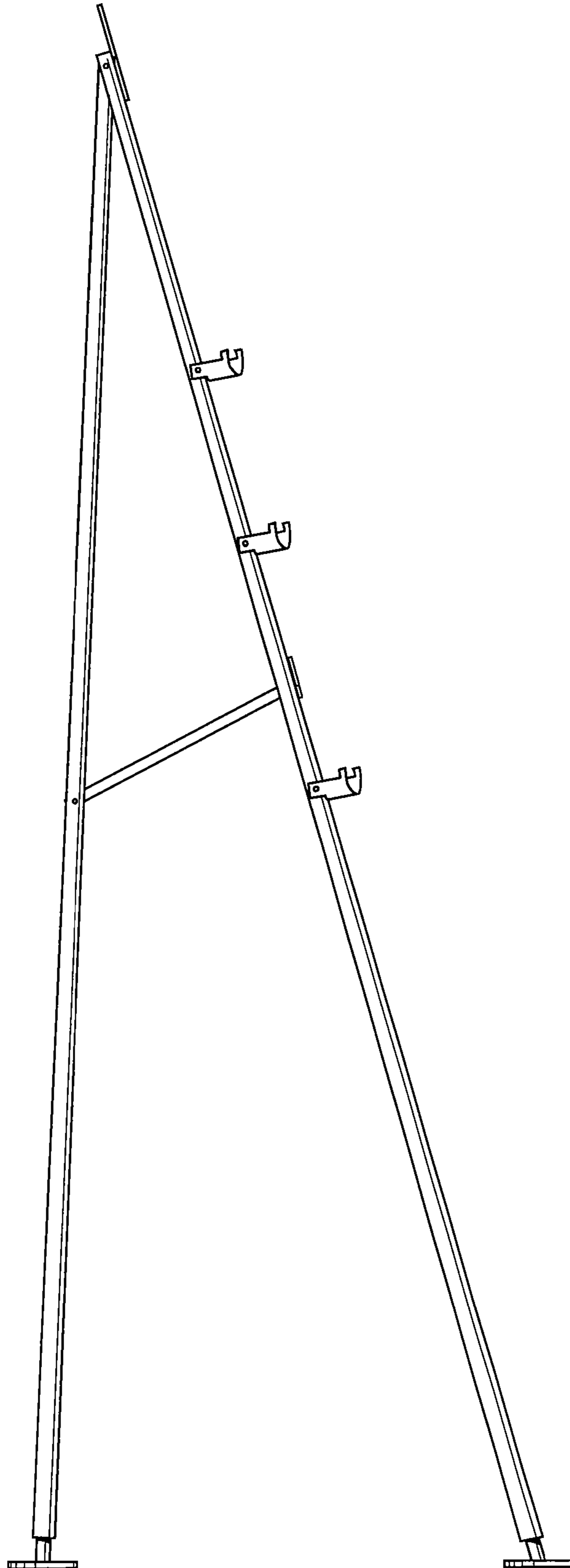


FIG. 10

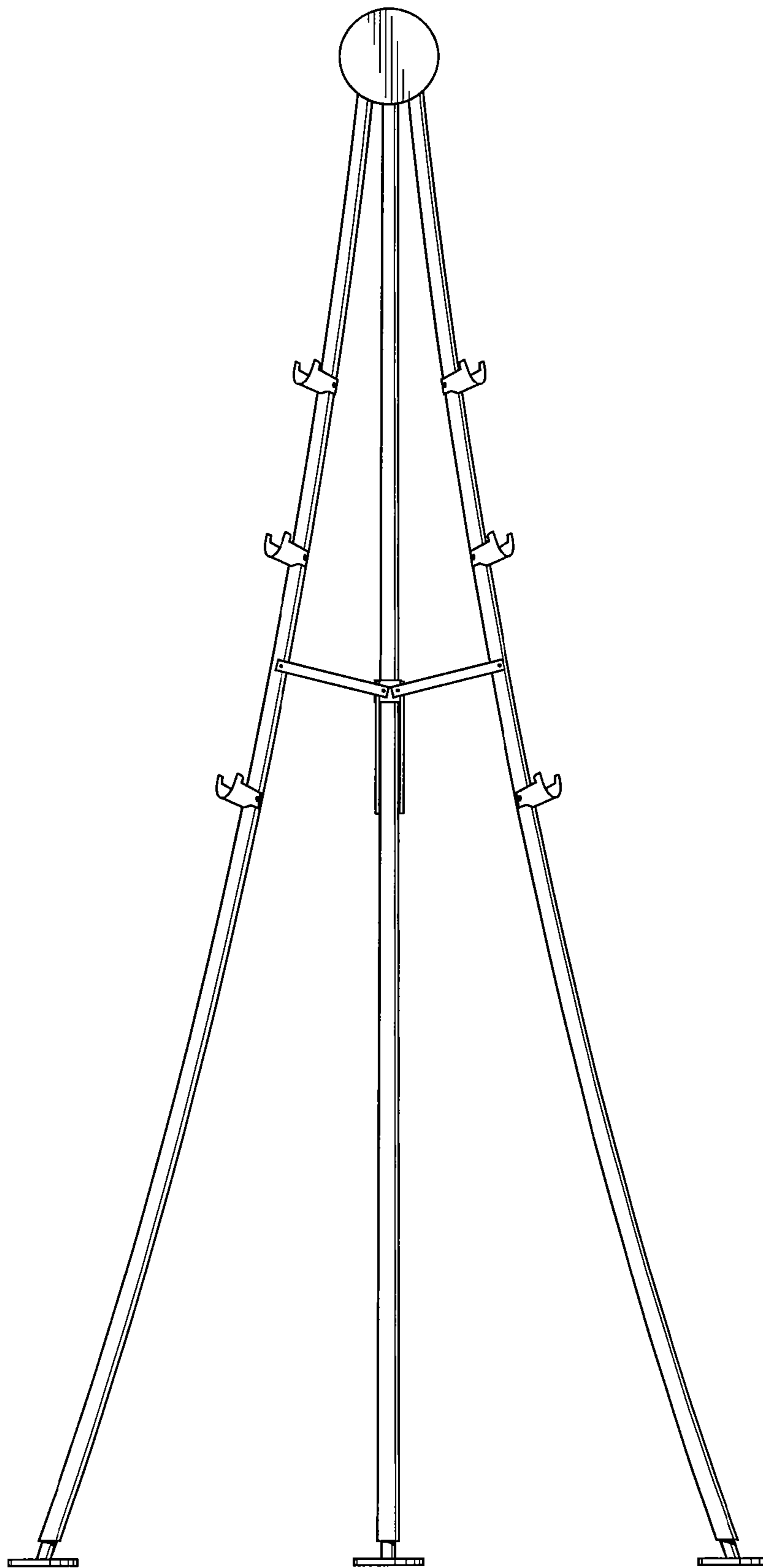


FIG. 11

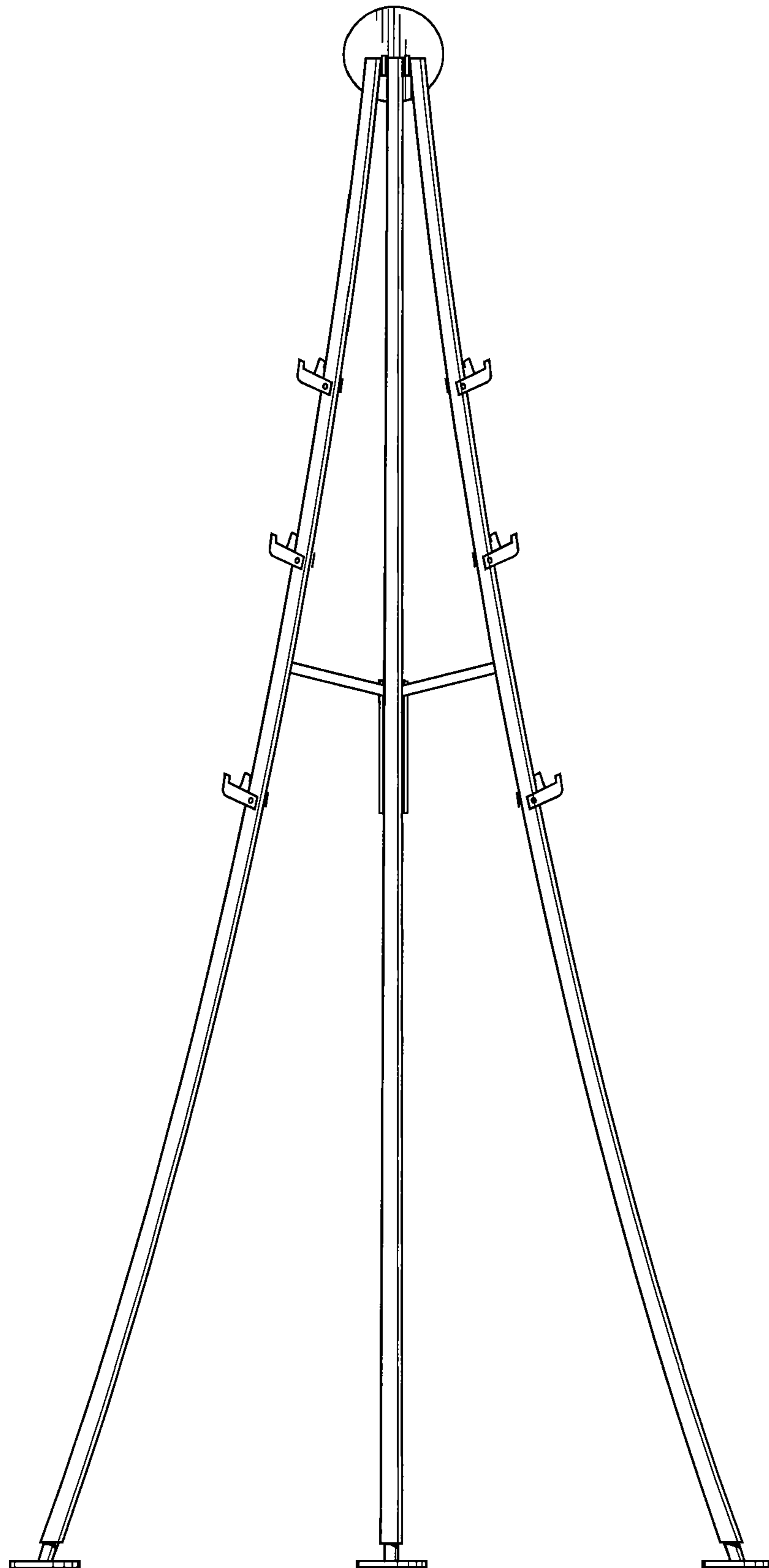


FIG. 12

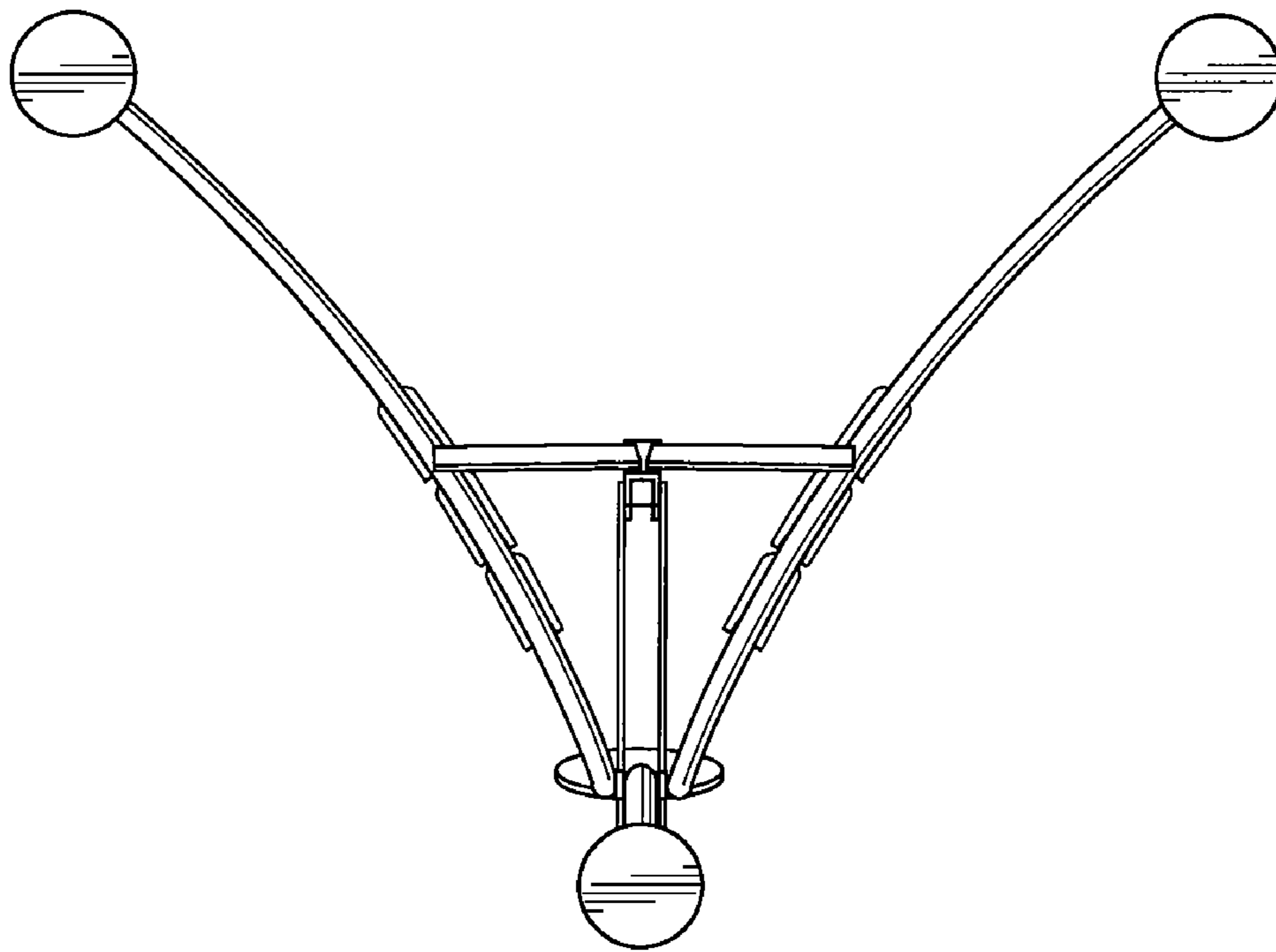


FIG. 13