



US00D553862S

(12) **United States Design Patent**
Gregg

(10) **Patent No.:** **US D553,862 S**

(45) **Date of Patent:** **** Oct. 30, 2007**

(54) **GROUT CLEANING BRUSH**

(76) **Inventor:** **James Gregg**, 4861 Lago Dr. Apt. 106,
Huntington Beach, CA (US) 92649

(**) **Term:** **14 Years**

(21) **Appl. No.:** **29/269,712**

(22) **Filed:** **Dec. 6, 2006**

(51) **LOC (8) Cl.** **04-01**

(52) **U.S. Cl.** **D4/121; D4/132; D4/135**

(58) **Field of Classification Search** D4/121,
D4/132, 135, 199; D32/50; 15/144.1, 144.2,
15/146, 159.1, 160, 171, 172, 176.1, 176.2,
15/186, 187, 191.1

See application file for complete search history.

(56) **References Cited**

U.S. PATENT DOCUMENTS

- 2,804,637 A * 9/1957 Antozak 15/144.1
- D415,616 S * 10/1999 Camp, Jr. et al. D4/199
- 6,073,298 A * 6/2000 O'Brien 15/160
- 6,128,800 A * 10/2000 Vosbikian 15/172

FOREIGN PATENT DOCUMENTS

JP 2005270164 A * 10/2005

* cited by examiner

Primary Examiner—Cathron C. Brooks

Assistant Examiner—Lavone D. Tabor

(74) *Attorney, Agent, or Firm*—William J Kearns

(57) **CLAIM**

I claim the ornamental design for a grout cleaning brush, as shown and described.

DESCRIPTION

FIG. 1 is a top perspective view of a grout cleaning brush showing my new design, shown in a position of use with the broken lines showing a handle and a user's hand being for illustrative purposes only and forming no part of the claimed design;

FIG. 2 is a bottom perspective view of the design claimed in FIG. 1 with the coupling member shown in a vertical orientation;

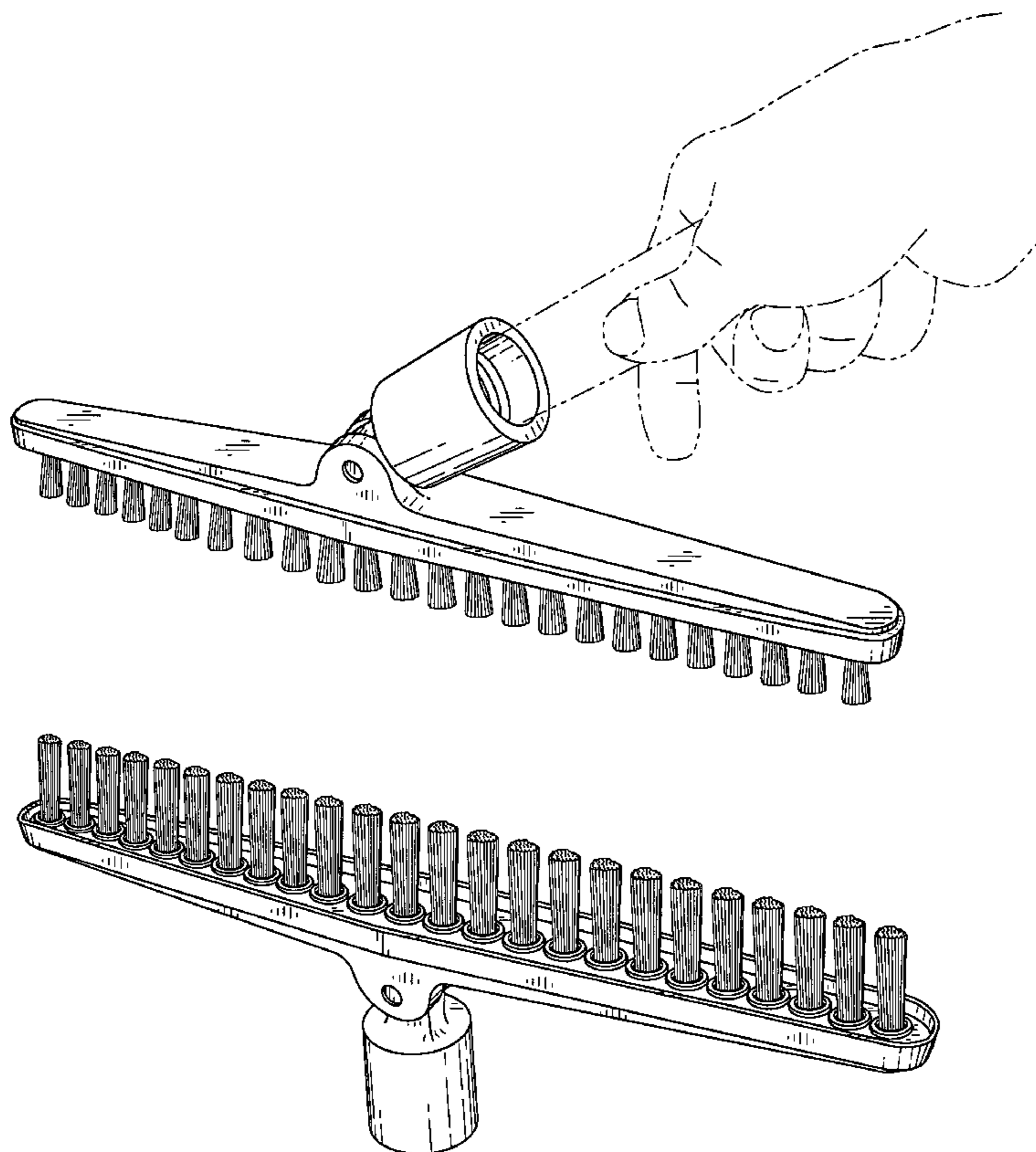
FIG. 3 is a top plan view of FIG. 2;

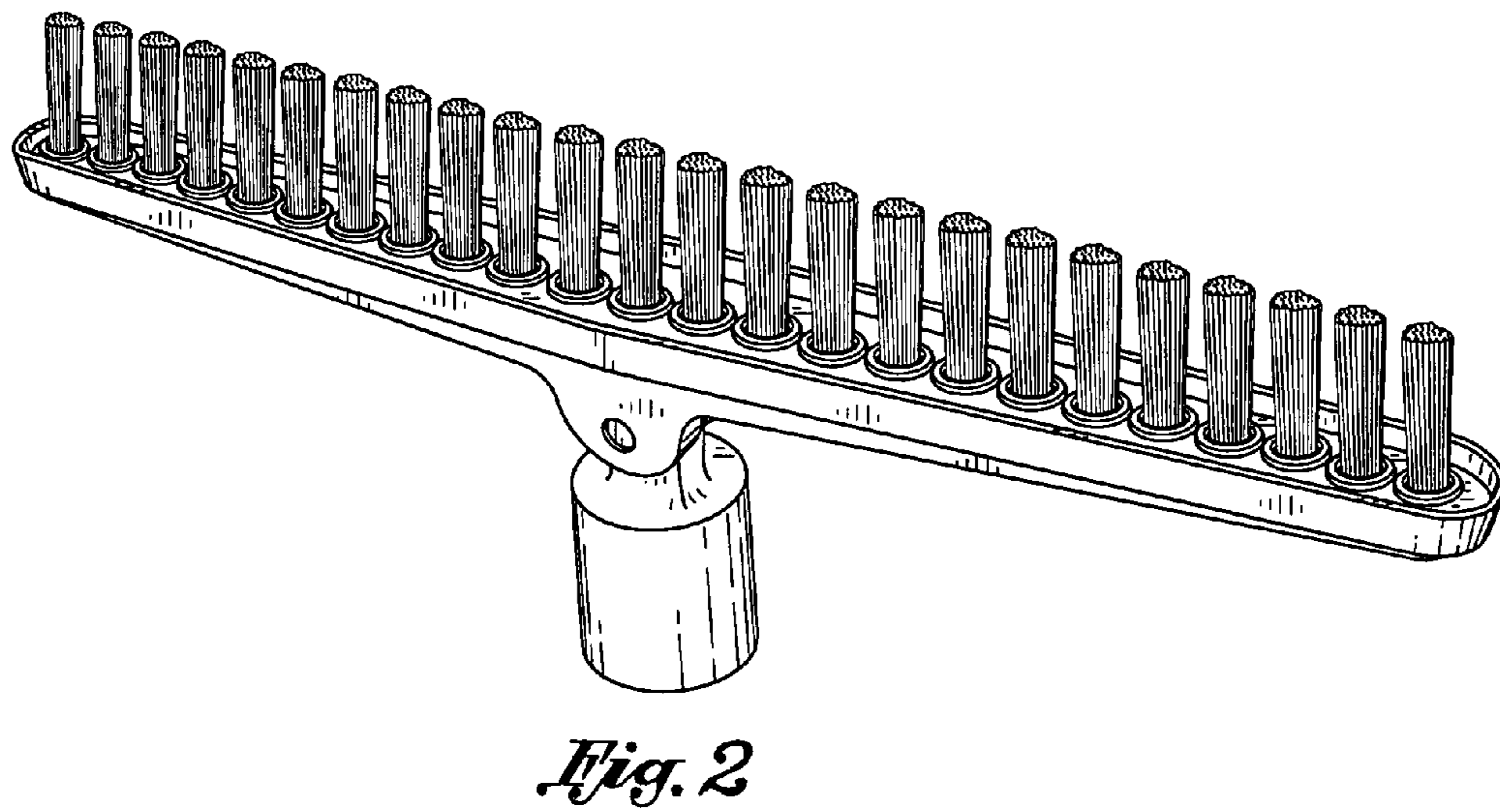
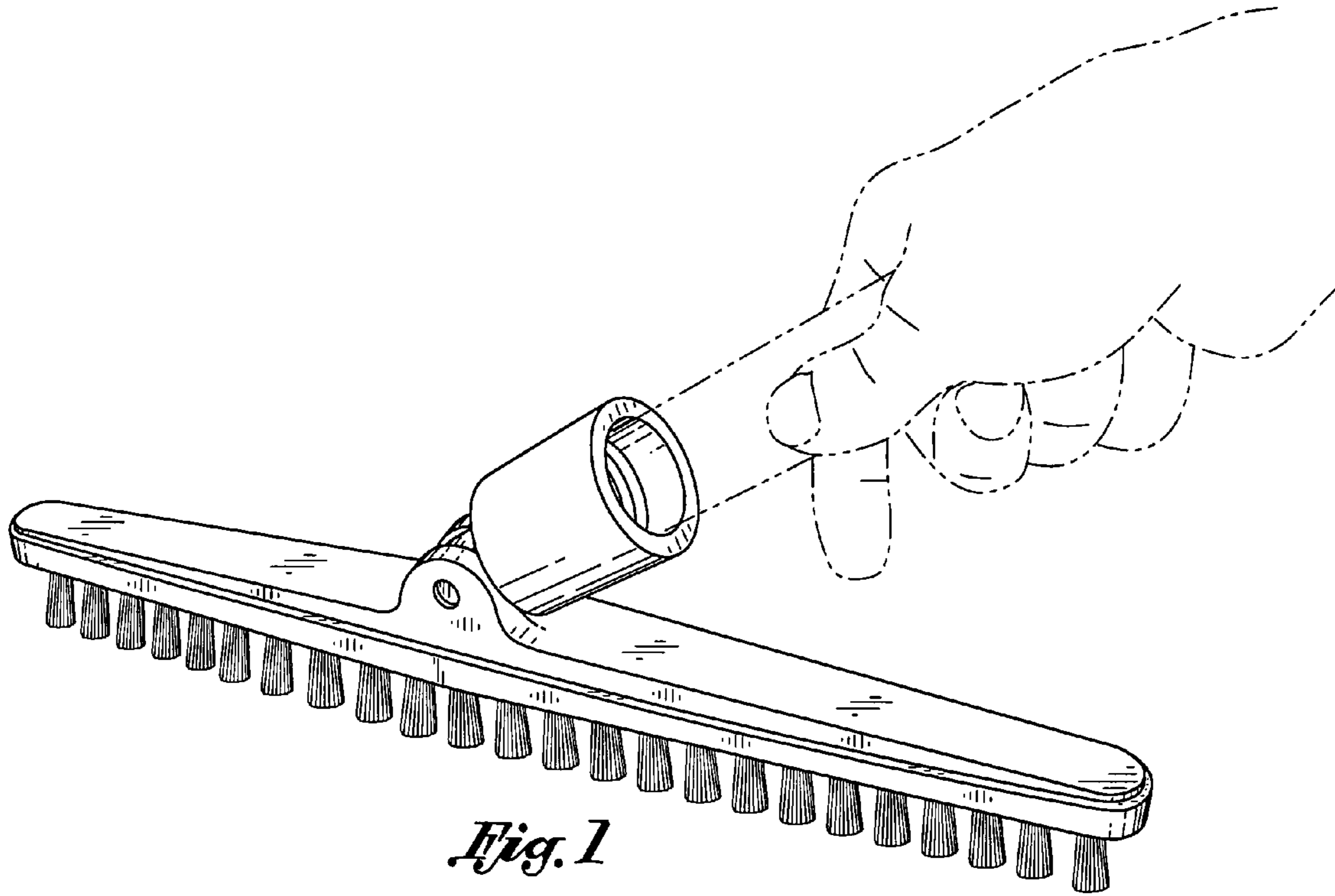
FIG. 4 is an inverted side elevation view of FIG. 2;

FIG. 5 is a bottom plan view of FIG. 2; and,

FIG. 6 is an inverted end elevation view of FIG. 2.

1 Claim, 2 Drawing Sheets





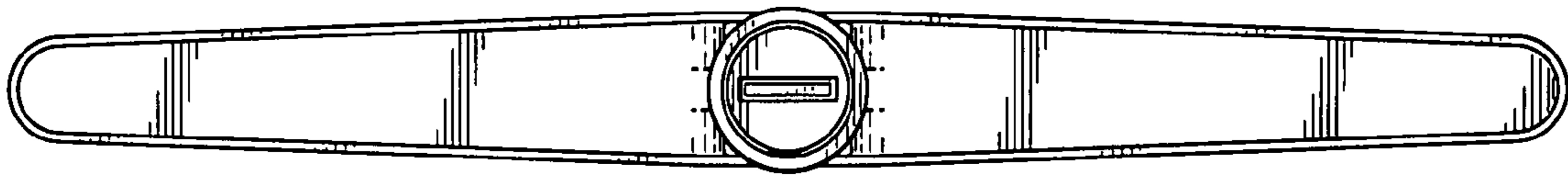


Fig. 3

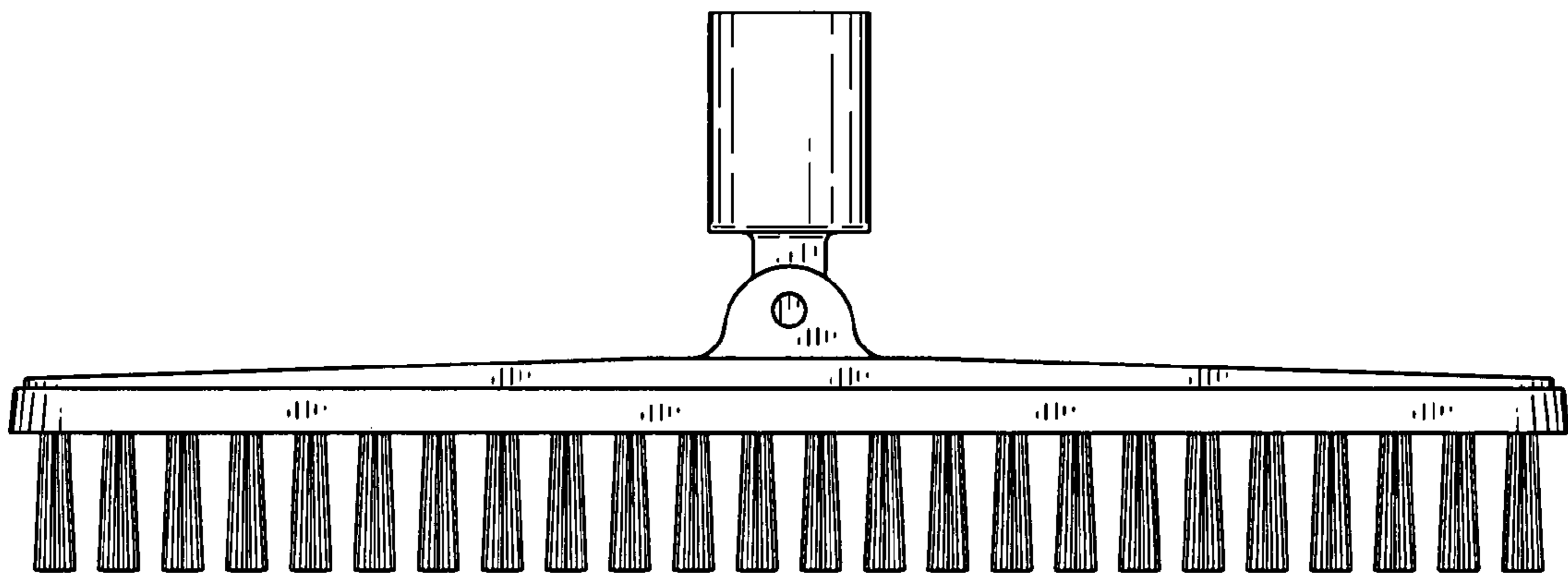


Fig. 4

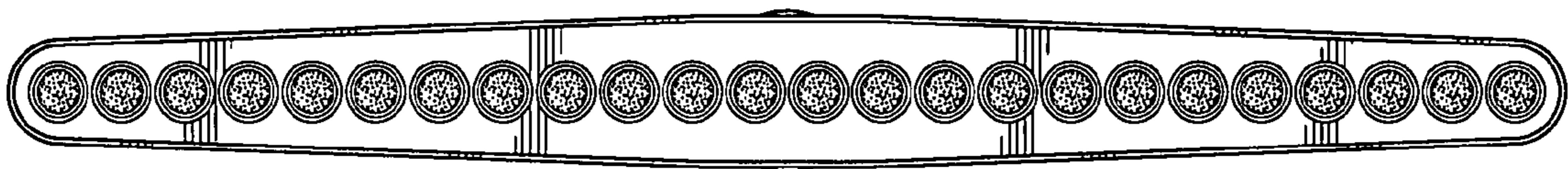


Fig. 5

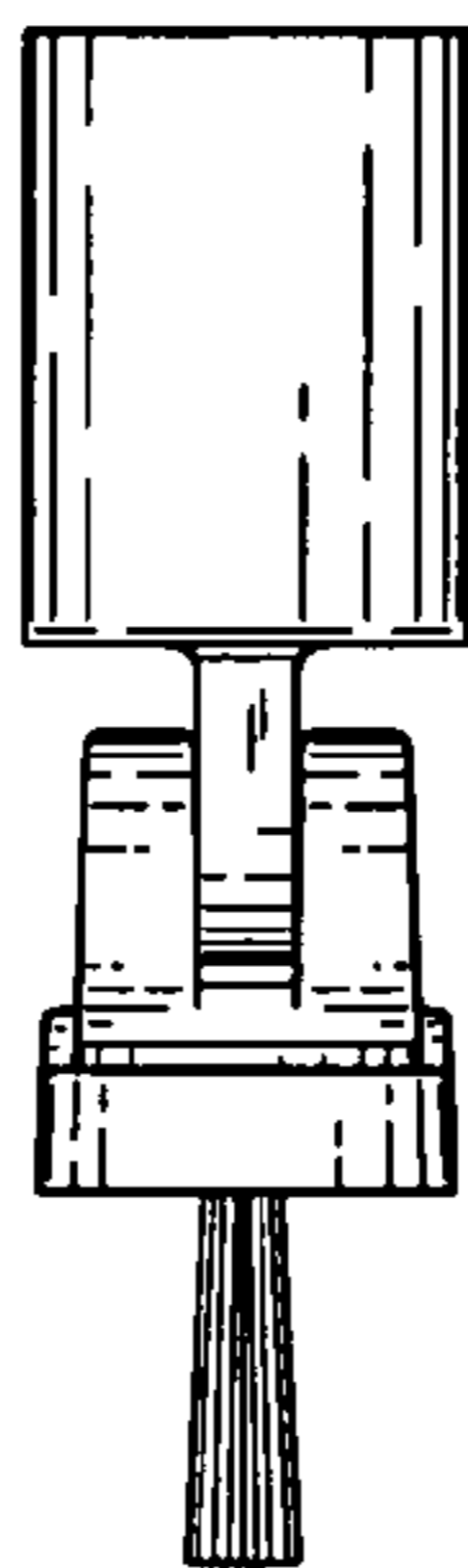


Fig. 6