



US00D553859S

(12) **United States Design Patent** (10) **Patent No.:** **US D553,859 S**
Fernández et al. (45) **Date of Patent:** **** Oct. 30, 2007**

- (54) **TRAY** D236,168 S * 7/1975 Johnson D3/312
 3,952,903 A 4/1976 Sanders et al.
 (75) Inventors: **Enrique Chávez Fernández**, Estado de México (MX); **José Luis Alegría Formoso**, Estado de México (MX) 4,000,817 A 1/1977 Sanders et al.
 4,007,839 A 2/1977 Stahl
 4,093,070 A 6/1978 Stahl
 4,093,071 A 6/1978 Stahl et al.
 4,189,052 A 2/1980 Carroll et al.

(73) Assignee: **Proarce S.A. de C.V.** (MX)

(**) Term: **14 Years**

(21) Appl. No.: **29/252,854**

(22) Filed: **Jan. 30, 2006**

Related U.S. Application Data

(63) Continuation-in-part of application No. 29/252,856, filed on Jan. 30, 2006, and a continuation-in-part of application No. 29/252,855, filed on Jan. 30, 2006, and a continuation-in-part of application No. 29/252,853, filed on Jan. 30, 2006, and a continuation-in-part of application No. 11/342,022, filed on Jan. 30, 2006.

- (51) **LOC (8) Cl.** **03-01**
 (52) **U.S. Cl.** **D3/307**
 (58) **Field of Classification Search** D3/304–315;
 D9/424–425; D7/550.1, 553; D34/38; 206/427,
 206/503, 504–507, 509, 514, 515, 557; 220/1.5,
 220/427, 501, 509, 516, 519, 553, 555
 See application file for complete search history.

(56) **References Cited**

U.S. PATENT DOCUMENTS

- D197,672 S * 3/1964 Robkin D3/312
 3,380,625 A 4/1968 Kreeger
 3,392,877 A 7/1968 Sanders
 3,403,788 A 10/1968 Kreeger
 3,481,507 A 12/1969 Sanders
 RE26,758 E 1/1970 Kreeger
 3,581,932 A 6/1971 Kreeger et al.
 3,675,815 A * 7/1972 Rehrig 206/507

(Continued)

Primary Examiner—Louis S. Zarfes

Assistant Examiner—Eric L. Goodman

(74) *Attorney, Agent, or Firm*—Arnold & Porter LLP; Holly Logue Prutz

(57) **CLAIM**

The ornamental design for a tray, as shown and described.

DESCRIPTION

FIG. 1 is a right front perspective view of a tray showing our new design.

FIG. 2 is a right side view thereof.

FIG. 3 is a left side view thereof, which is a mirror image of the right side view.

FIG. 4 is a front view thereof, which is a mirror image of the rear view.

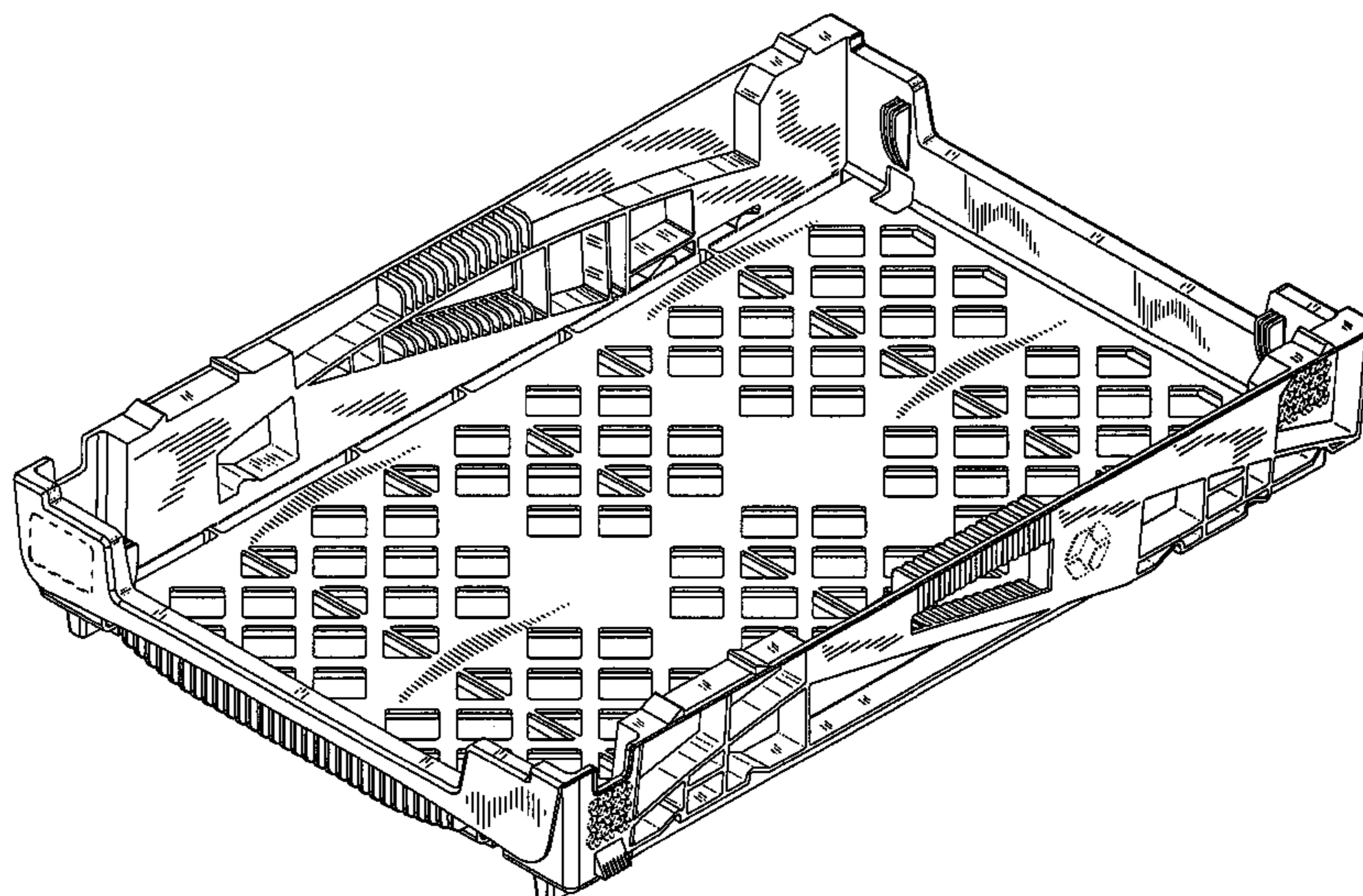
FIG. 5 is a top view thereof.

FIG. 6 is a bottom view thereof; and,

FIG. 7 is a right front perspective view showing two trays of our new design in an assembly.

The broken line showing of the tray in FIGS. 1–7 is included for the purpose of illustrating portions of the article and forms no part of the claimed design. The second tray in FIG. 7 is included for the purpose of illustrating the tray in a stacked configuration and forms no part of the claimed design.

1 Claim, 7 Drawing Sheets



US D553,859 S

Page 2

U.S. PATENT DOCUMENTS

4,205,749	A	6/1980	Carroll et al.	D354,167	S *	1/1995	Stahl	D3/304		
4,211,327	A	7/1980	Stahl et al.	D371,882	S *	7/1996	Kristoffersson	D34/38		
4,320,837	A	3/1982	Carroll et al.	5,582,296	A *	12/1996	Beauchamp et al.	206/503		
4,383,611	A	5/1983	Kreeger	D389,310	S *	1/1998	Niemann et al.	D3/312		
4,391,369	A	7/1983	Stahl et al.	D401,066	S *	11/1998	Ackermann	D3/307		
4,402,408	A	9/1983	Kreeger et al.	D417,786	S *	12/1999	Hwang et al.	D3/314		
4,423,813	A	1/1984	Kreeger et al.	D439,049	S *	3/2001	Koefeld	D3/304		
4,426,001	A	1/1984	Stahl et al.	D446,939	S *	8/2001	Koefeld	D3/307		
4,523,681	A	6/1985	Kreeger	6,273,259	B1 *	8/2001	Stahl	206/511		
4,577,759	A	3/1986	Kreeger	D469,255	S *	1/2003	Hammett	D3/314		
4,619,366	A	10/1986	Kreeger	6,641,032	B1 *	11/2003	Schilling	229/174		
4,635,562	A	1/1987	Kreeger	6,886,710	B2	5/2005	Verna et al.				
4,813,544	A	3/1989	Kreeger	D522,061	S *	5/2006	Chen et al.	D19/92		
4,842,142	A	6/1989	Kreeger	2003/0183549	A1 *	10/2003	Verna et al.	206/509		
4,936,458	A	6/1990	Tabler et al.	2004/0060844	A1 *	4/2004	Stahl	206/499		
5,035,326	A *	7/1991	Stahl	206/507	2005/0183980	A1 *	8/2005	Fernandez et al.	206/509
D319,908	S *	9/1991	Stahl	D3/304	2006/0070906	A1 *	4/2006	Verna et al.	206/509
5,287,966	A *	2/1994	Stahl	206/509						

* cited by examiner

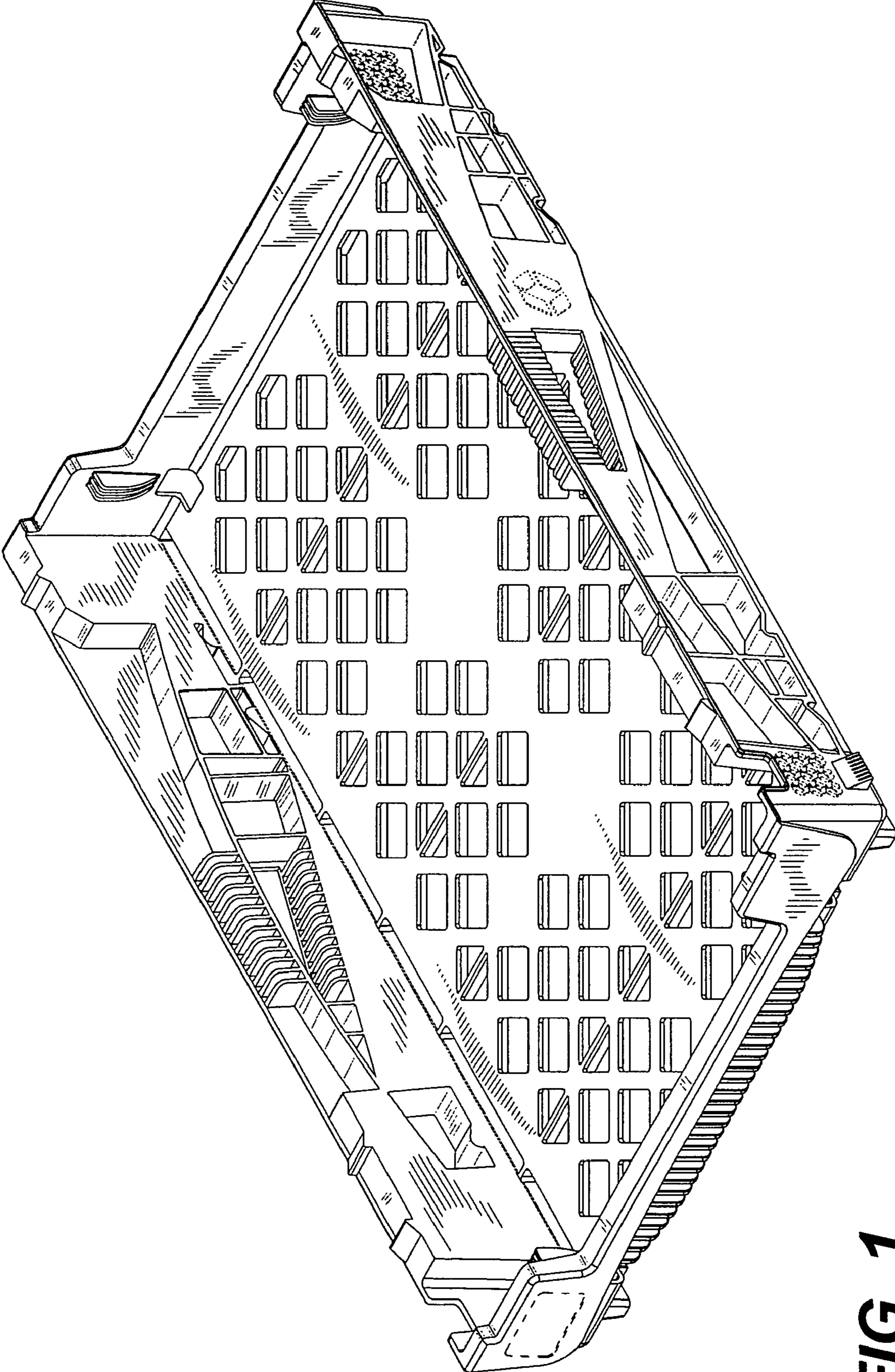


FIG. 1

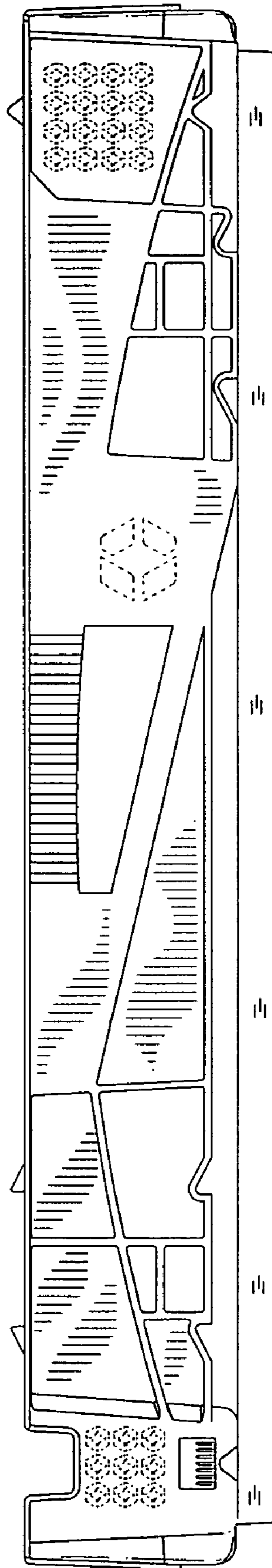


FIG. 2

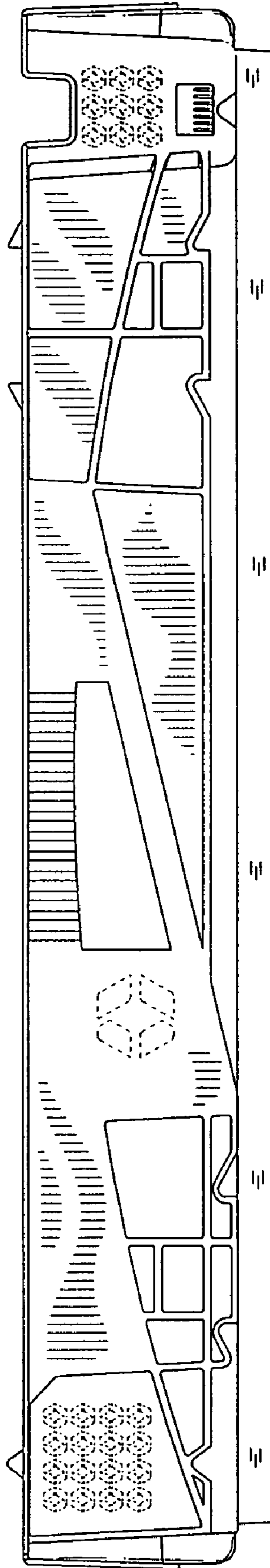


FIG. 3

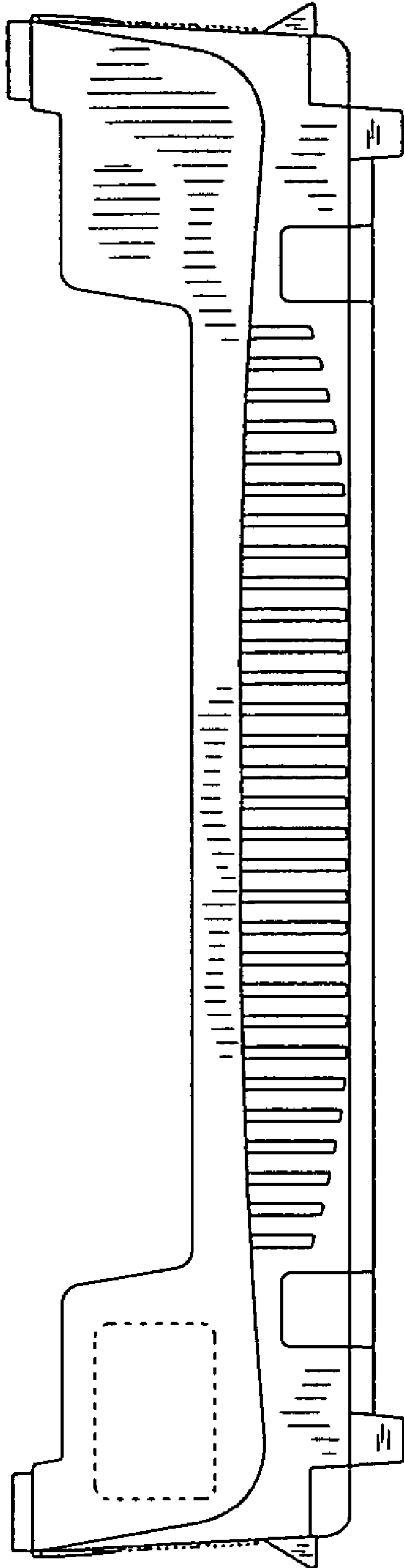


FIG. 4

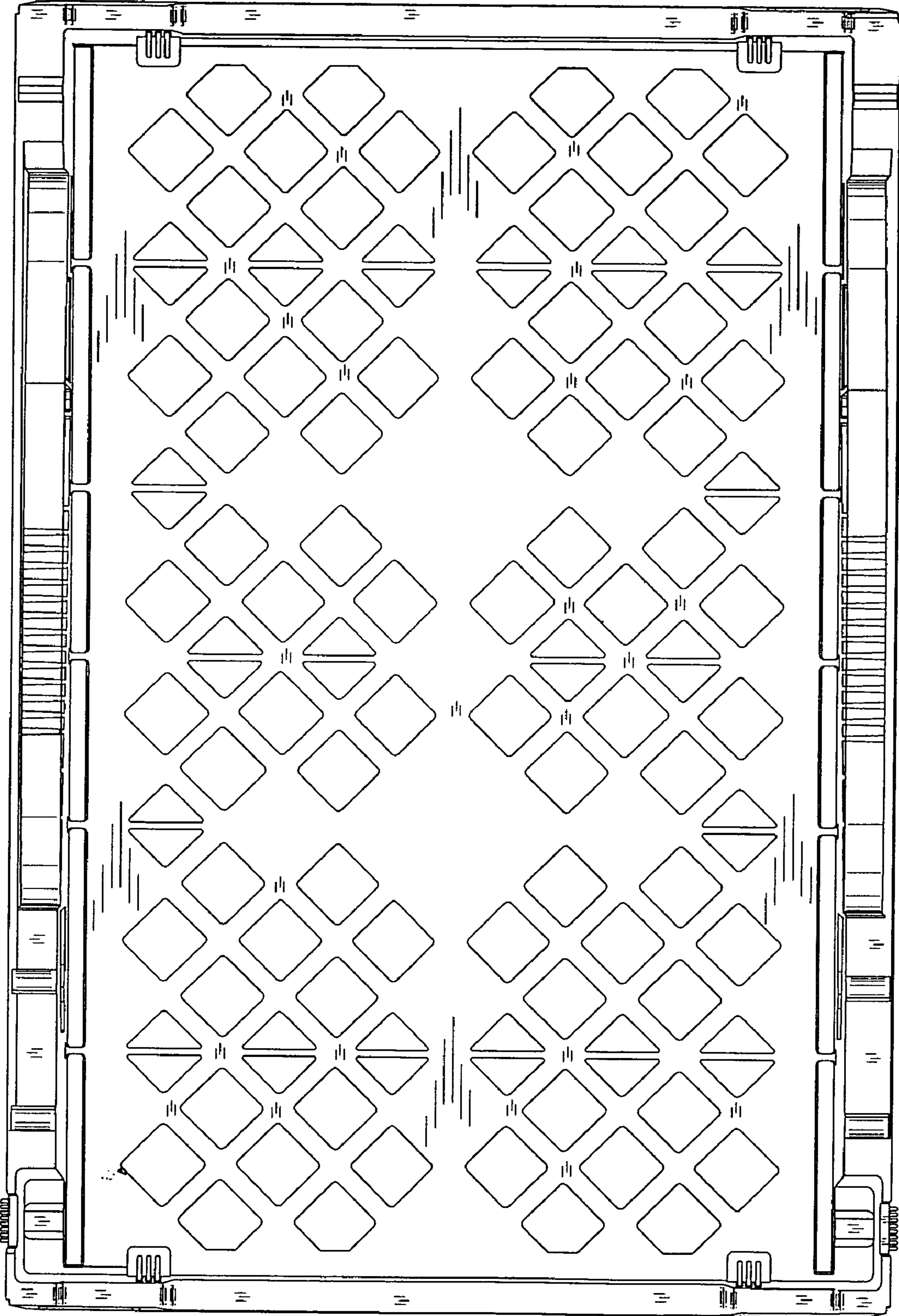


FIG. 5

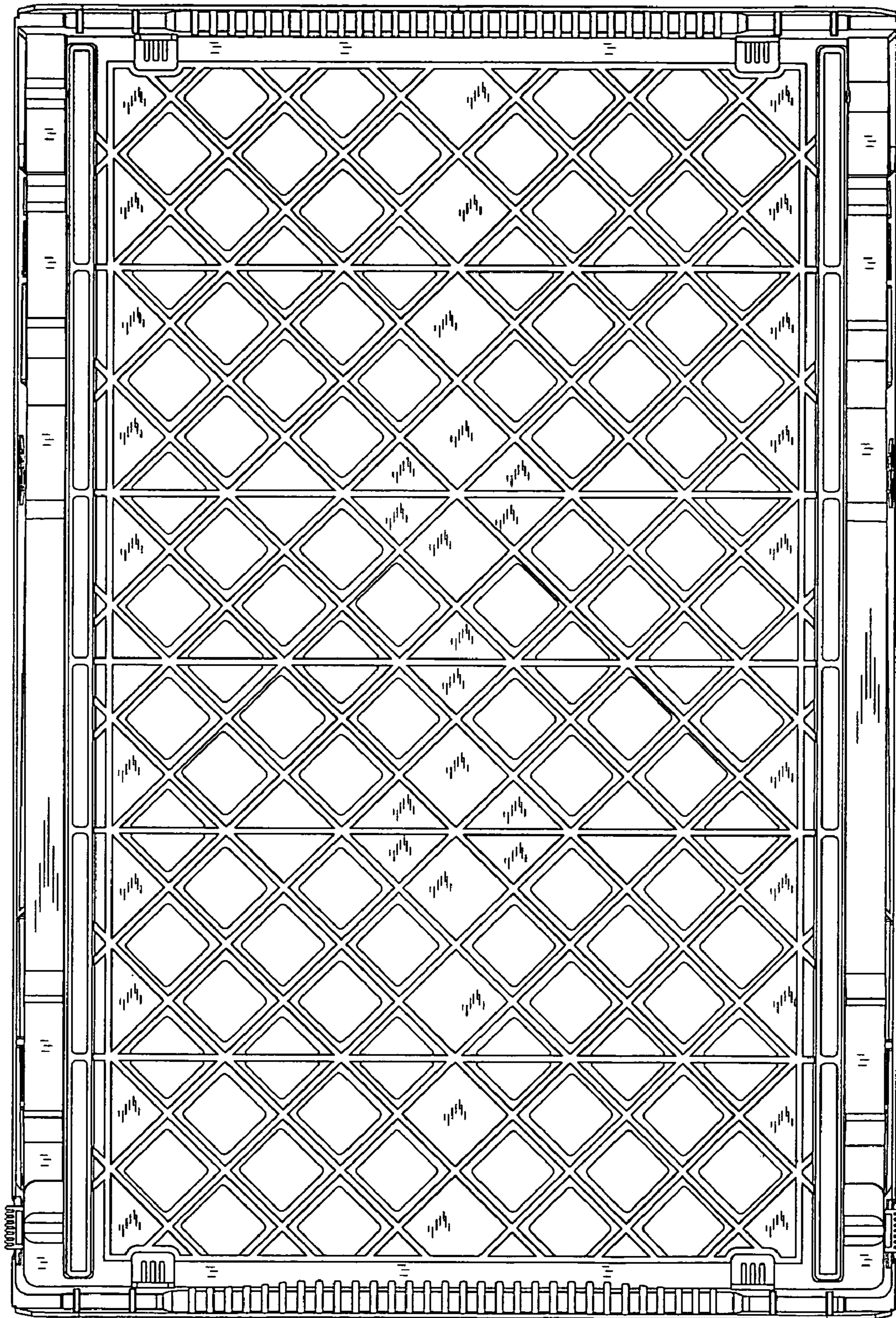


FIG. 6

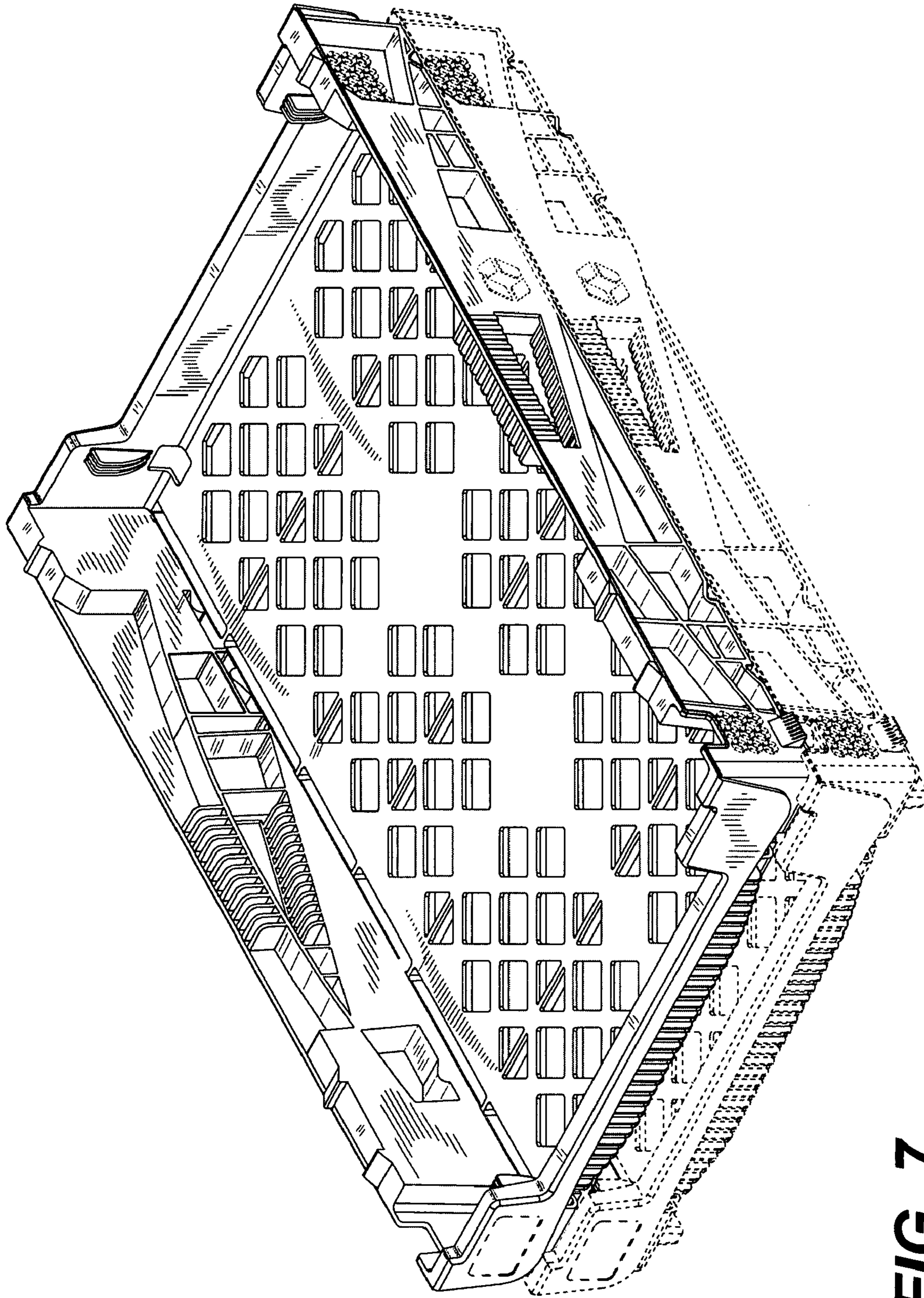


FIG. 7