



US00D553855S

(12) **United States Design Patent**  
**Golden**

(10) **Patent No.:** **US D553,855 S**

(45) **Date of Patent:** **\*\* Oct. 30, 2007**

(54) **NOVELTY PURSE**

(75) Inventor: **Michael H. Golden**, Lake Village, AR  
(US)

(73) Assignee: **Band in my Hand, LLC**, Lake Village,  
AR (US)

(\*\*) Term: **14 Years**

(21) Appl. No.: **29/254,345**

(22) Filed: **Feb. 22, 2006**

**Related U.S. Application Data**

(63) Continuation-in-part of application No. 29/213,766,  
filed on Sep. 23, 2004, now Pat. No. Des. 517,810.

(51) **LOC (8) Cl.** ..... **03-01**

(52) **U.S. Cl.** ..... **D3/238**

(58) **Field of Classification Search** ..... D3/232,  
D3/235, 238, 240–246, 303, 318–326, 900,  
D3/902; 150/100, 107–111, 118–120; 190/100,  
190/108–112, 115, 900, 902–903  
See application file for complete search history.

(56) **References Cited**

**U.S. PATENT DOCUMENTS**

D497,249 S \* 10/2004 Anderson et al. .... D3/238

D497,250 S \* 10/2004 Anderson et al. .... D3/238  
D507,700 S \* 7/2005 Meadows ..... D3/238  
D509,058 S \* 9/2005 Meadows ..... D3/238  
D517,810 S \* 3/2006 Golden et al. .... D3/324

\* cited by examiner

*Primary Examiner*—Louis S. Zarfes

*Assistant Examiner*—Michelle Wilson

(74) *Attorney, Agent, or Firm*—Stephen D Carver

(57) **CLAIM**

The ornamental design for a novelty purse, as shown

**DESCRIPTION**

FIG. 1 is a frontal isometric view of my new purse;

FIG. 2 is a rear isometric view thereof;

FIG. 3 is a front elevational view thereof;

FIG. 4 is a left side elevational view thereof;

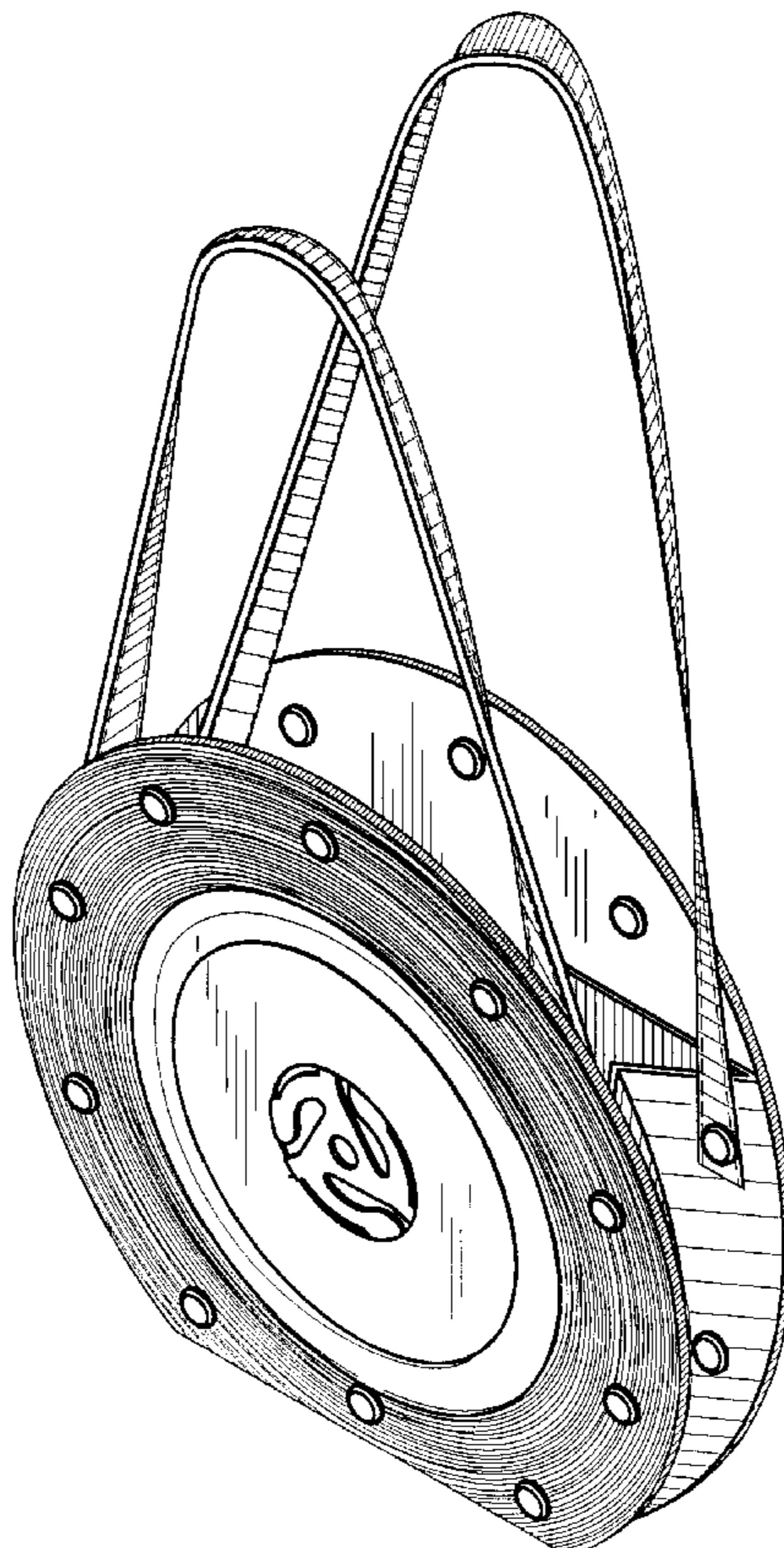
FIG. 5 is a right side elevational view thereof;

FIG. 6 is a rear elevational view thereof;

FIG. 7 is a top plan view thereof; and,

FIG. 8 is a bottom plan view thereof.

**1 Claim, 8 Drawing Sheets**



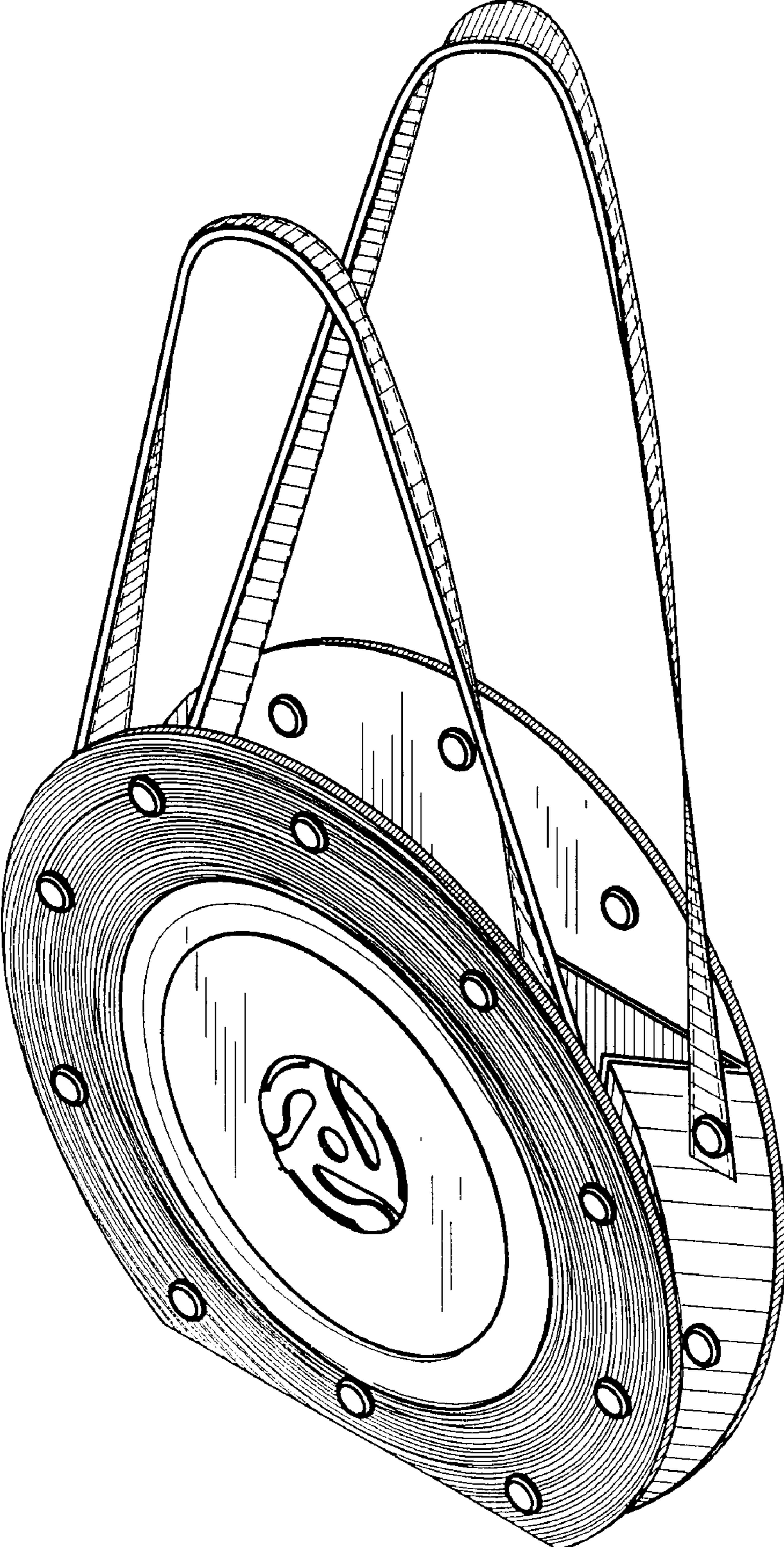


Fig. 1

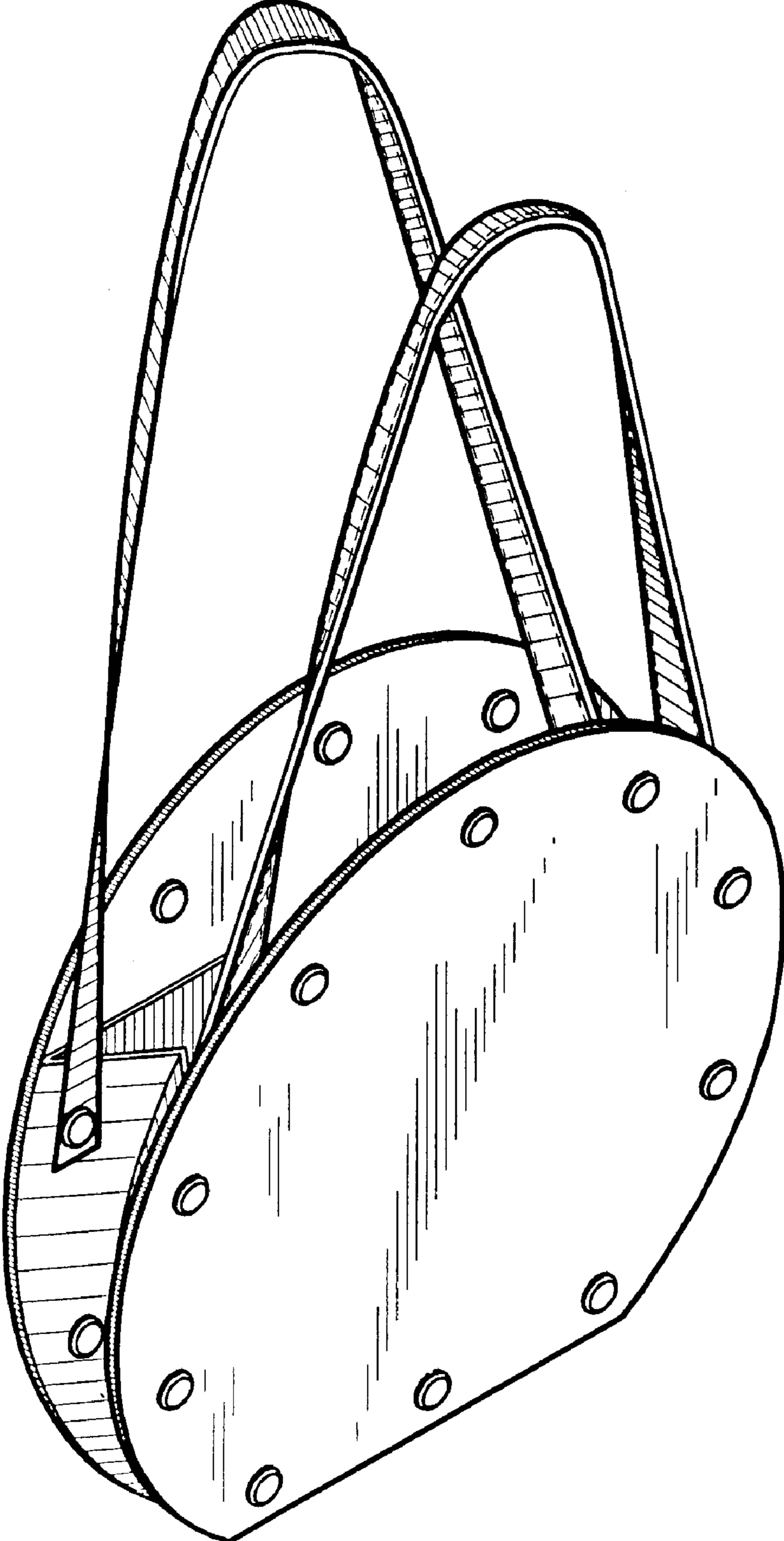


Fig. 2



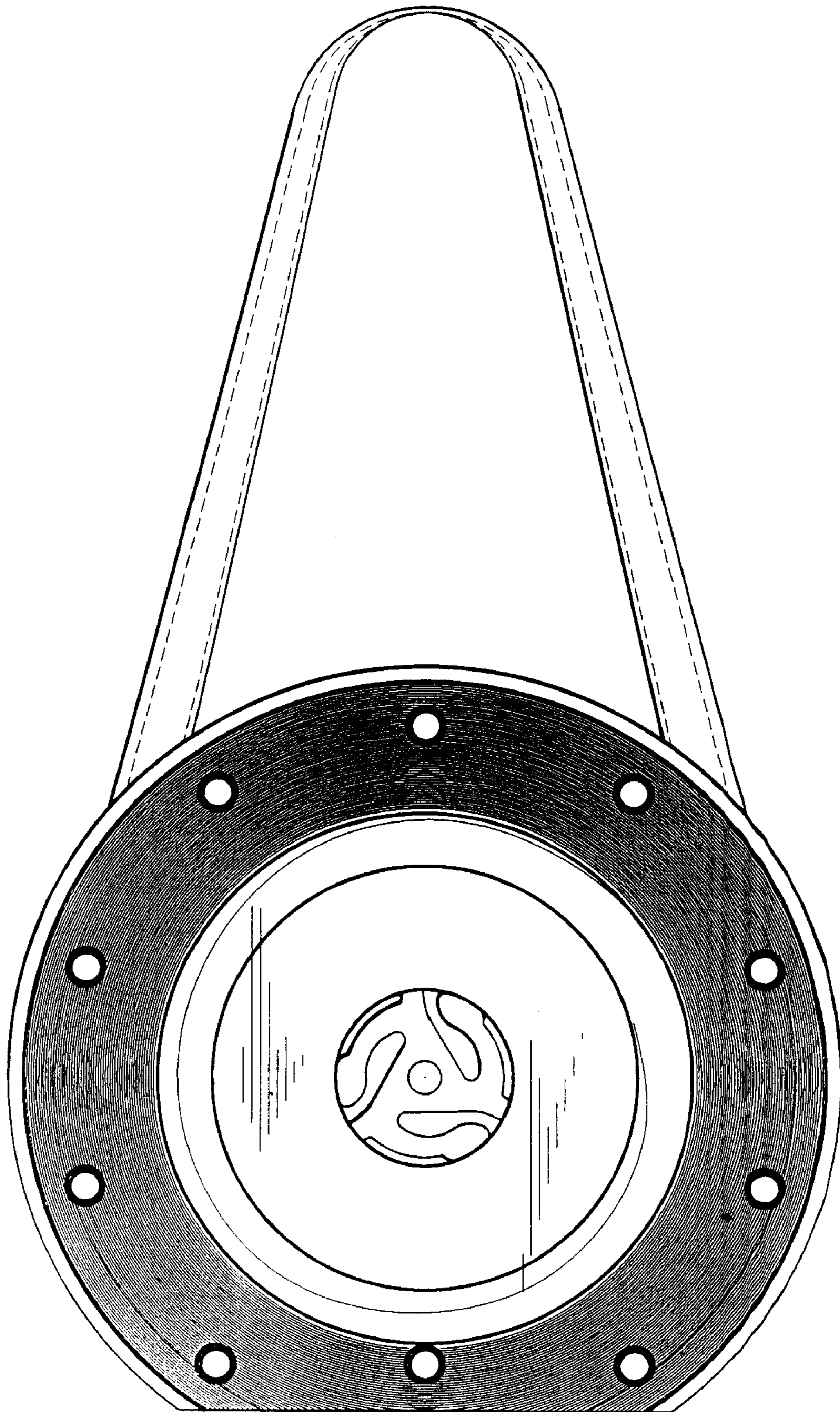


Fig. 3

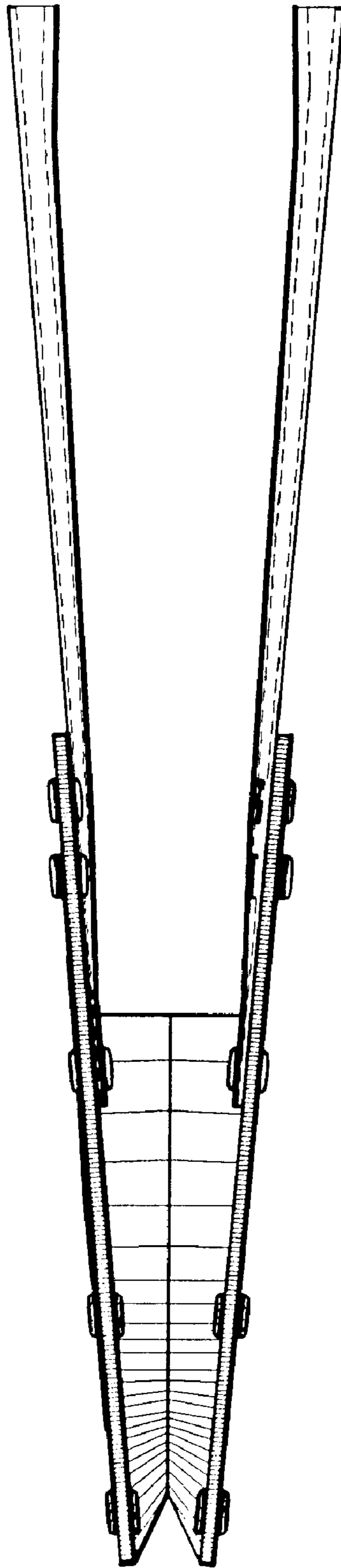


Fig. 4

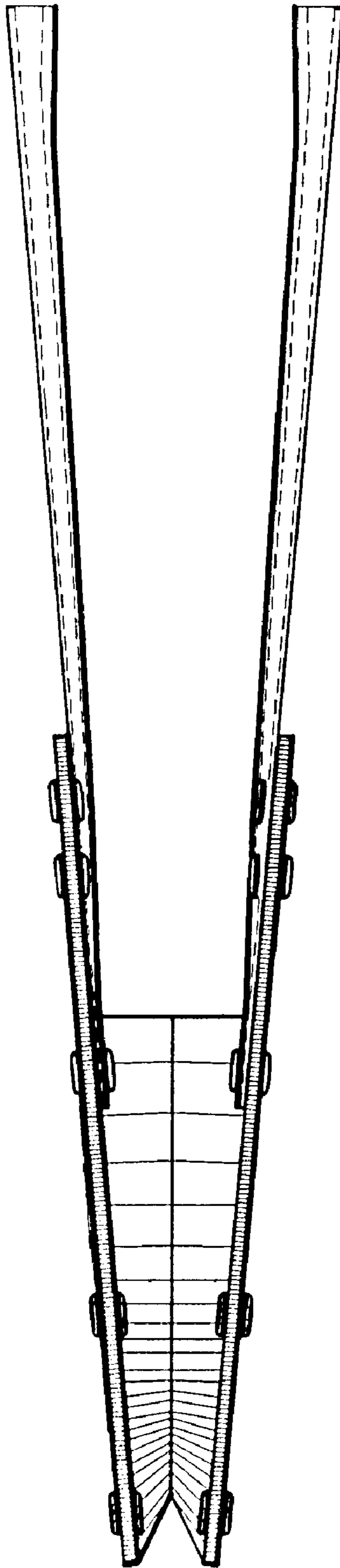


Fig. 5

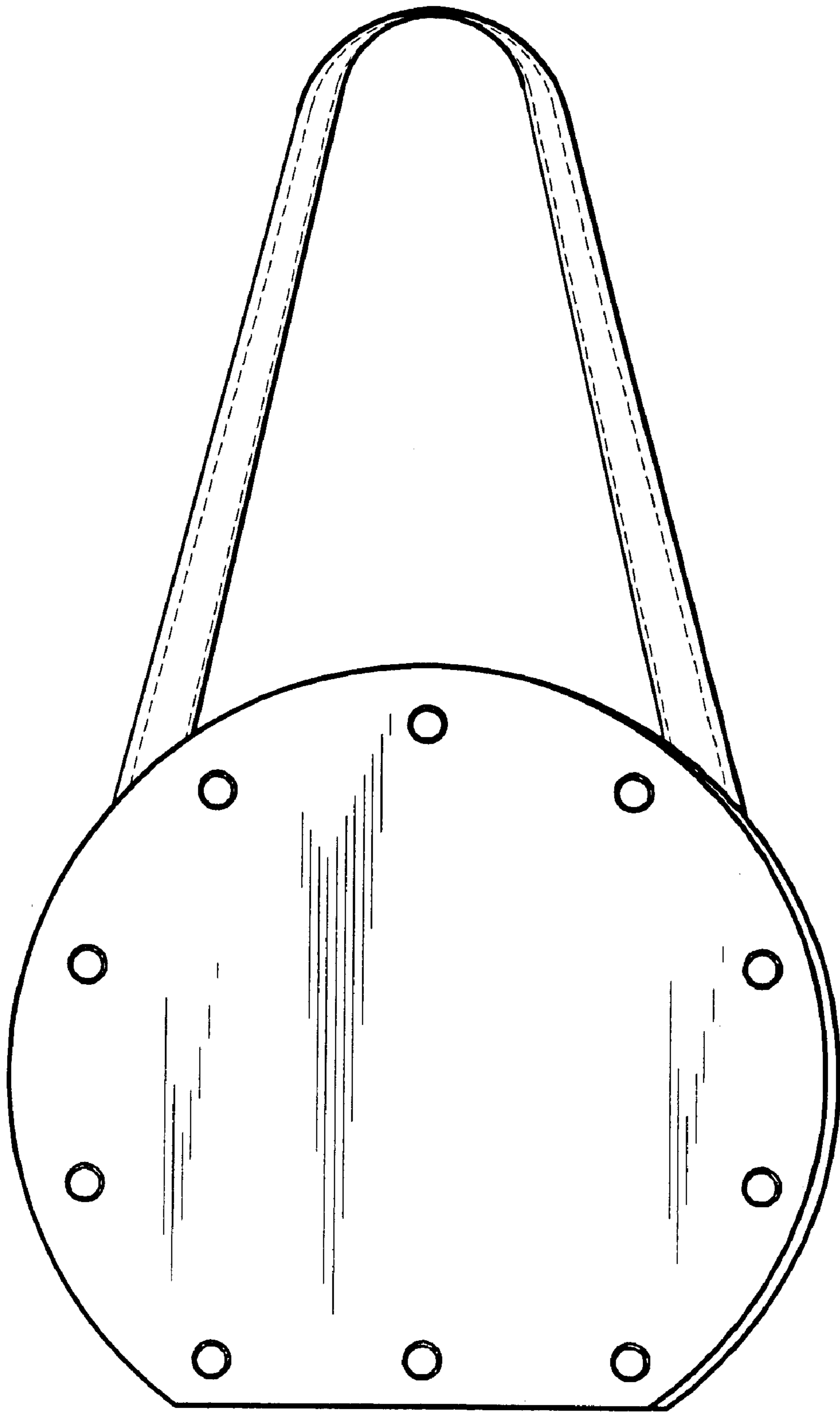


Fig. 6



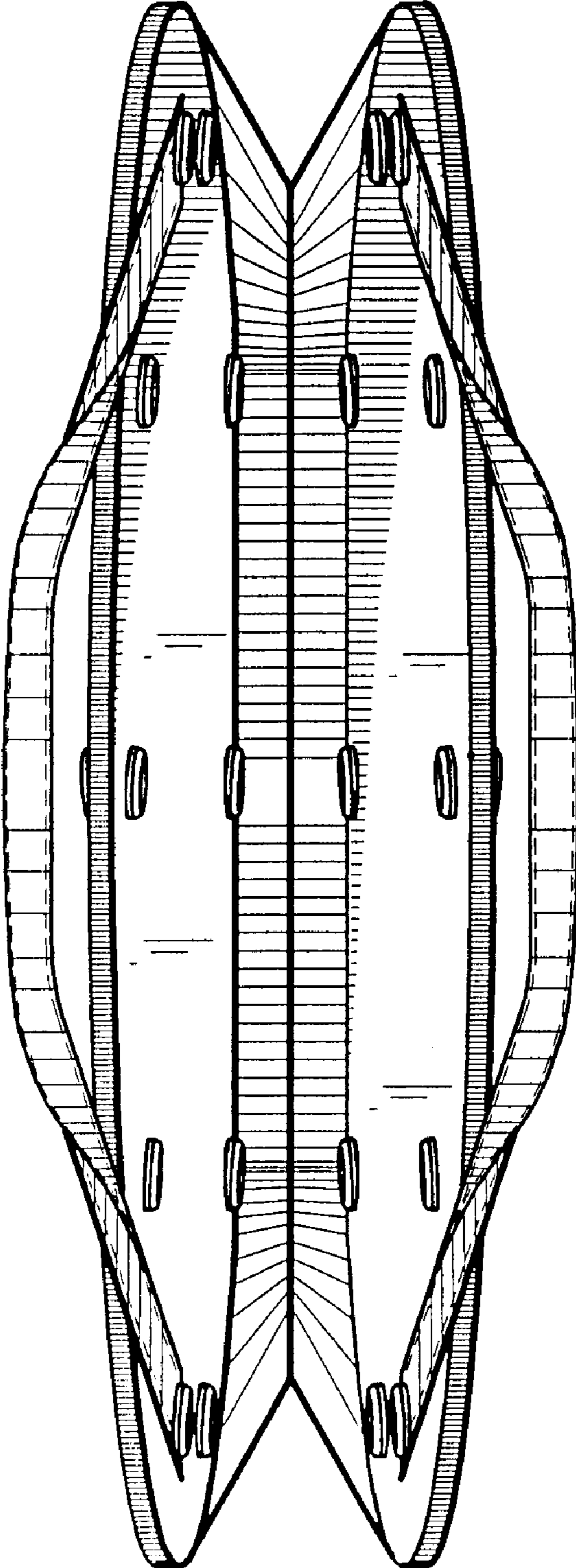


Fig. 7



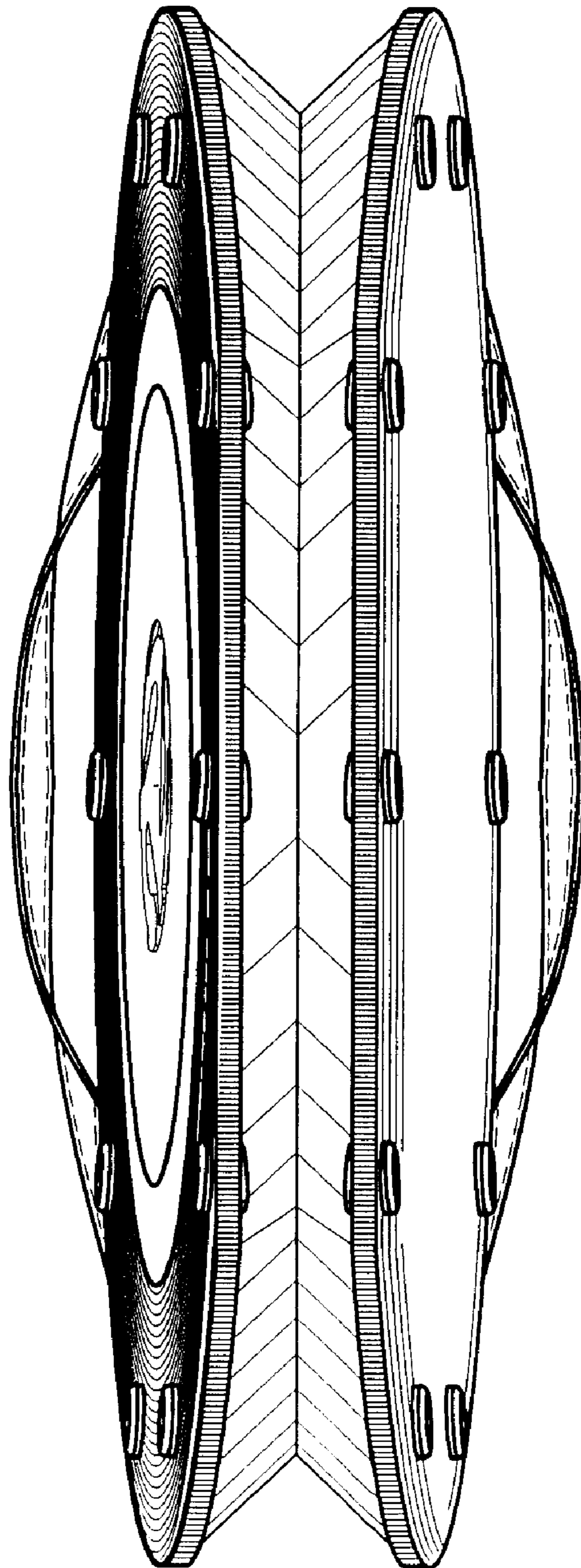


Fig. 8