



US00D553854S

(12) **United States Design Patent**
Willows et al.

(10) **Patent No.:** **US D553,854 S**
(45) **Date of Patent:** **** Oct. 30, 2007**

(54) **POUCH**

(76) Inventors: **Keith Willows**, 1823 12th Ave. W.,
Seattle, WA (US) 98119; **Antonio Del**
Rosario, 31525 10th Ave. S., Federal
Way, WA (US) 98003; **June Angus**,
1823 12th Ave. W., Seattle, WA (US)
98119

(**) **Term:** **14 Years**

(21) **Appl. No.:** **29/272,612**

(22) **Filed:** **Feb. 12, 2007**

(51) **LOC (8) Cl.** **03-01**

(52) **U.S. Cl.** **D3/226**

(58) **Field of Classification Search** D3/226,
D3/215, 219, 224, 221, 303, 232-248; 150/110,
150/112, 113, 111; 224/158, 159, 240, 245,
224/583, 674, 901, 904

See application file for complete search history.

(56) **References Cited**

U.S. PATENT DOCUMENTS

- 5,292,042 A * 3/1994 Yamaguchi et al. 224/159
- D388,250 S * 12/1997 Robinson et al. D3/245
- D439,040 S * 3/2001 Vazquez D3/233
- D490,238 S * 5/2004 Bristel D3/226

* cited by examiner

Primary Examiner—Catherine R. Oliver

(57) **CLAIM**

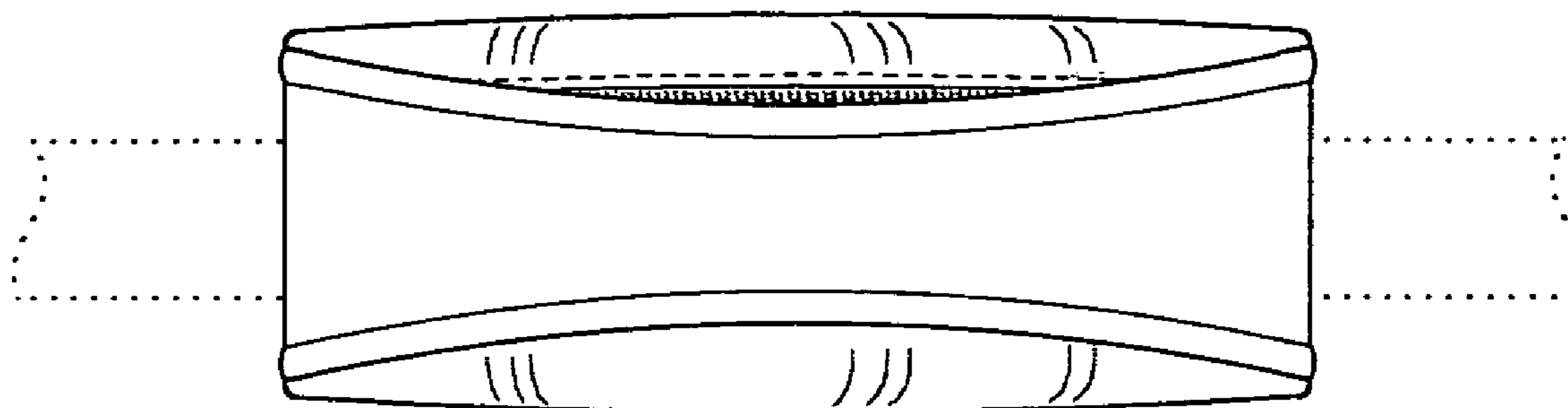
The ornamental design for a “pouch”, as shown and described.

DESCRIPTION

FIG. 1 is a front view of a pouch;
 FIG. 2 is a top view of a pouch;
 FIG. 3 is a bottom view of a pouch;
 FIG. 4 is a right side view of a pouch, the left side view being a mirror image thereof;
 FIG. 5 is a rear view of a pouch;
 FIG. 6 is a front view of a second embodiment of a pouch; the top view being FIG. 2; the bottom view being FIG. 3, the rear view being FIG. 5; and,
 FIG. 7 is a right side view of a second embodiment of a pouch, the left side view being a mirror image thereof.

The broken line showing of a zipper in FIGS. 1 and 6 is for illustrative purposes only and forms no part of the claimed design; the broken line showing of a strap in FIGS. 1-7 is for illustrative purposes only and forms no part of the claimed design; the broken line showing of a zipper pull in FIG. 2 is for illustrative purposes only and forms no part of the claimed design; the broken line showing of a strap attachment loop in FIGS. 2-5 and 7 is for illustrative purposes only and forms no part of the claimed design.

1 Claim, 2 Drawing Sheets



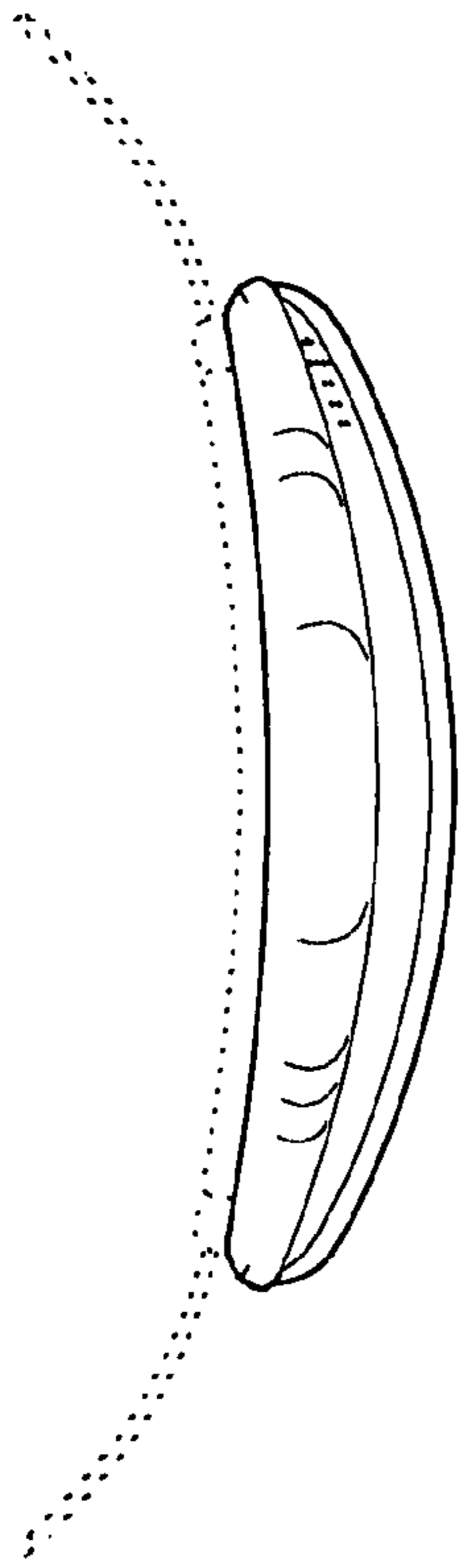


FIG. 2

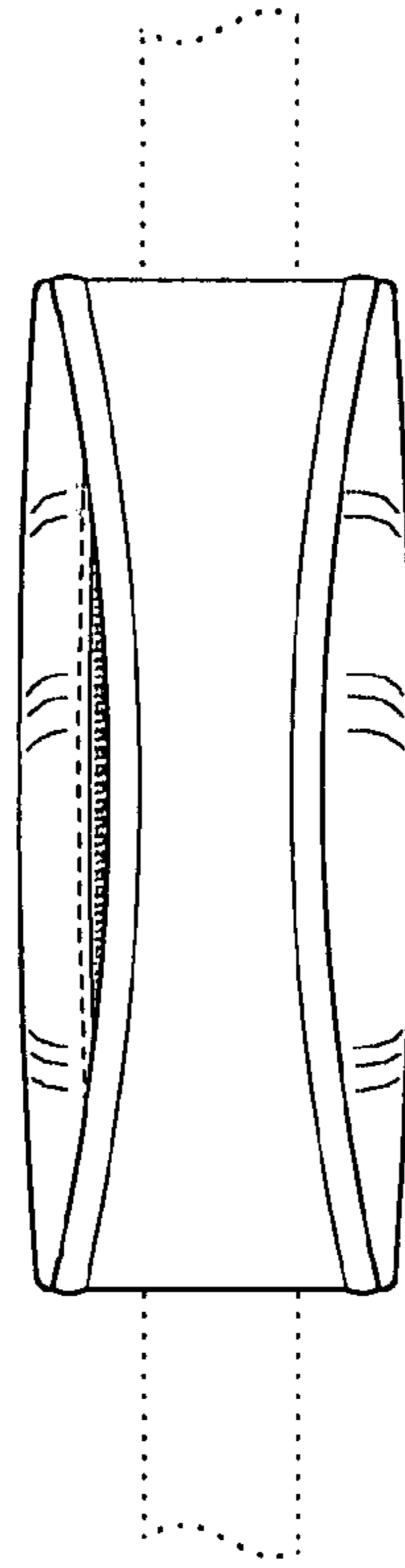


FIG. 1

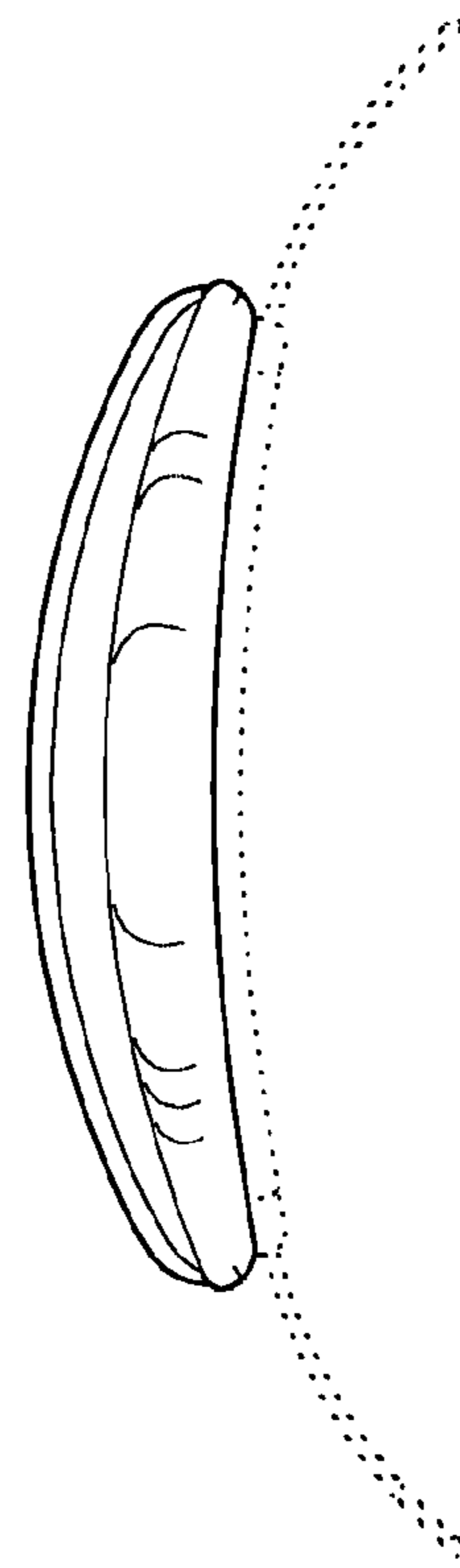


FIG. 3

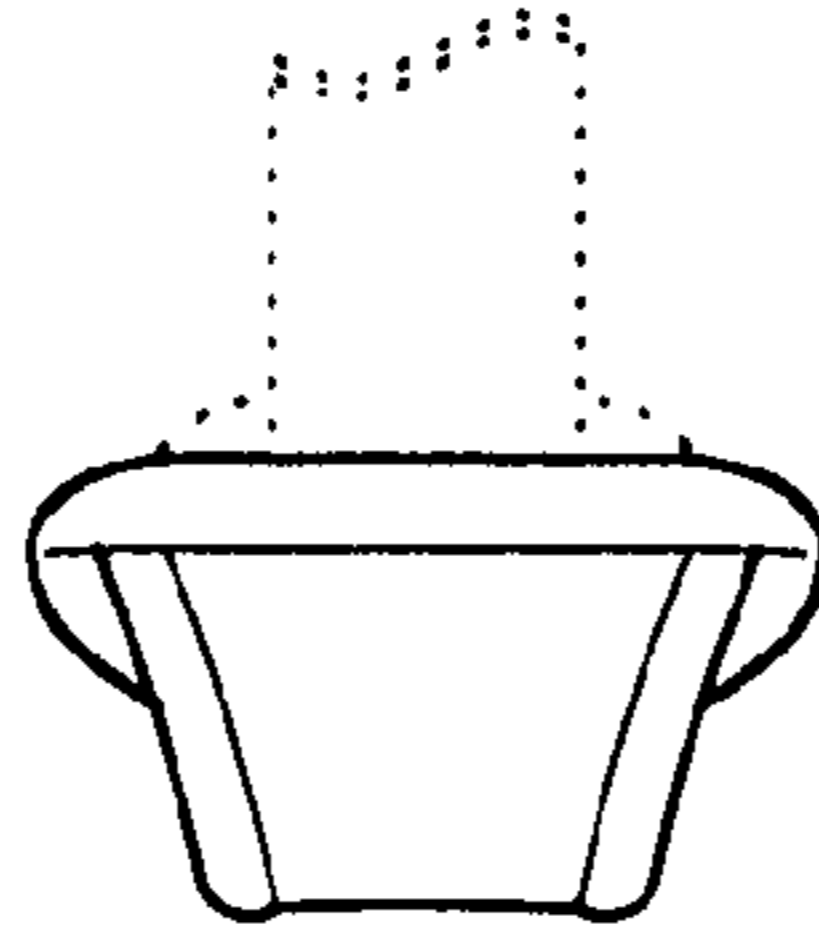


FIG. 4

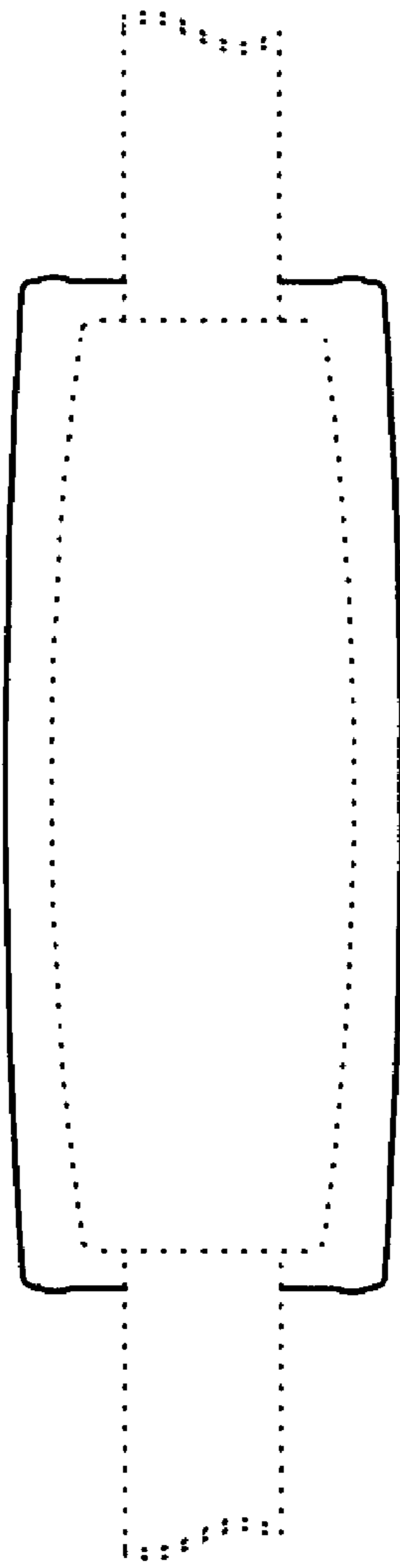


FIG. 5

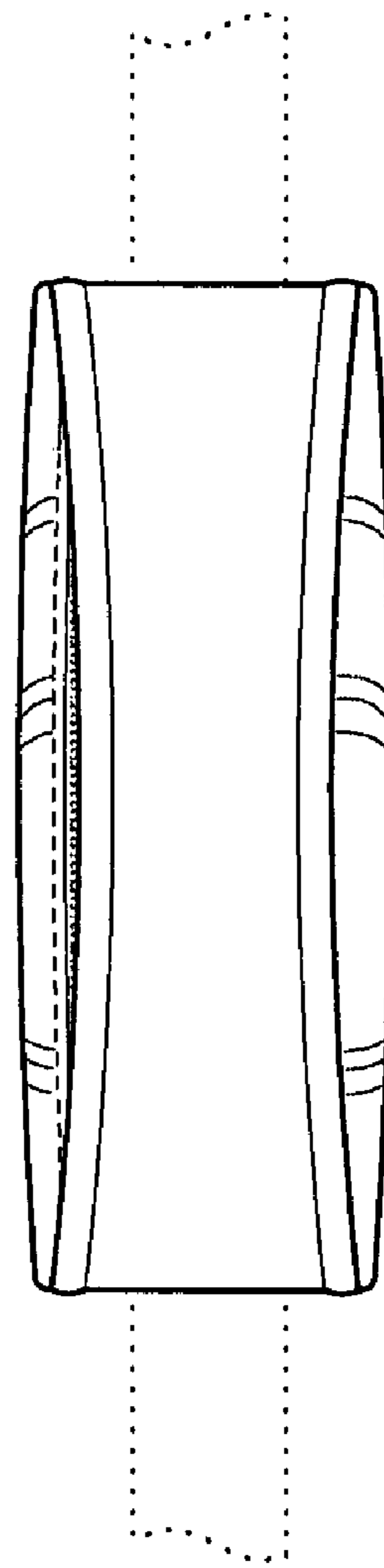


FIG. 6

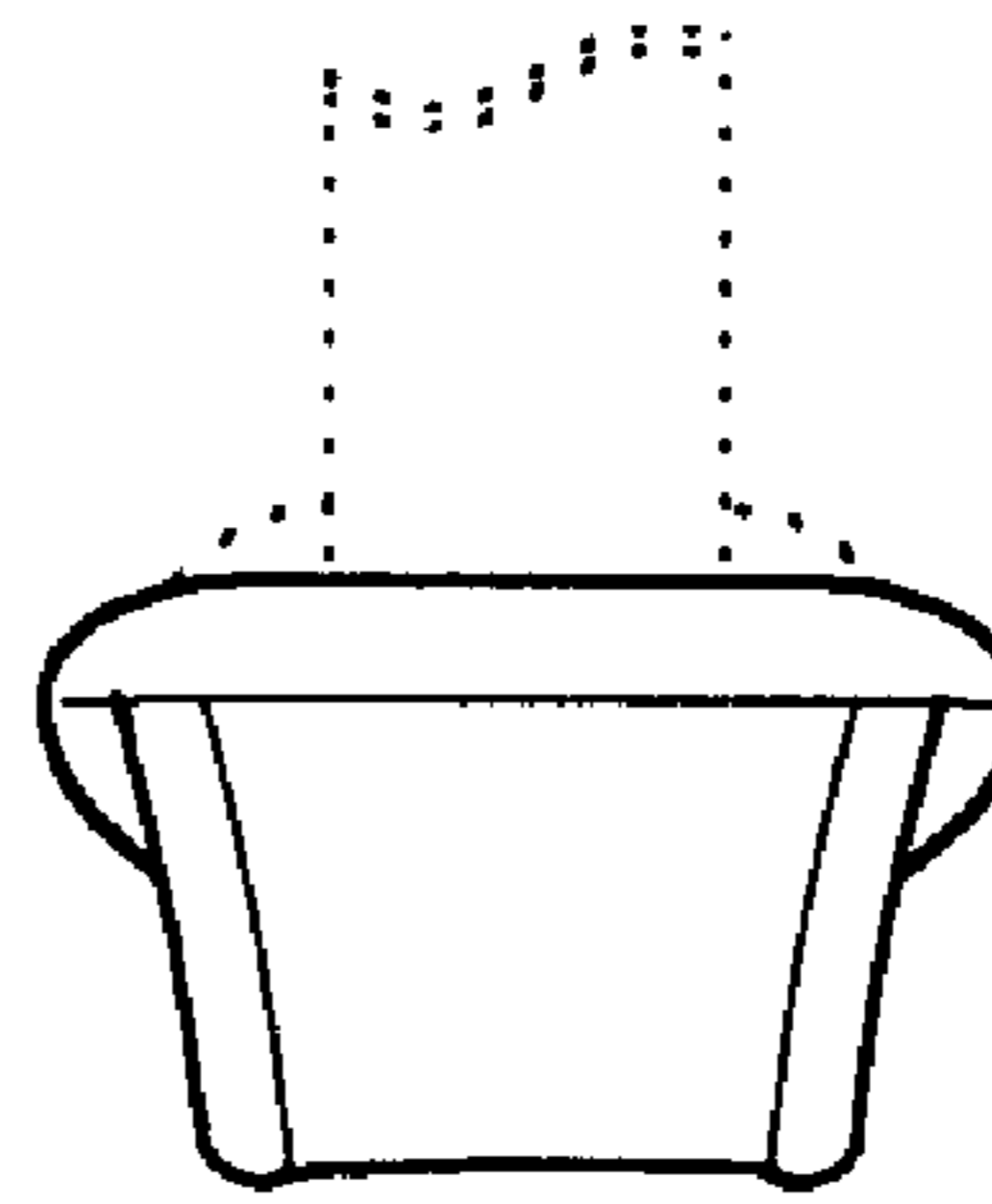


FIG. 7