



US00D553853S

(12) **United States Design Patent**  
**Willows et al.**

(10) **Patent No.: US D553,853 S**

(45) **Date of Patent: \*\* Oct. 30, 2007**

(54) **ACCESSORY POUCH**

(76) Inventors: **Keith Willows**, 1823 12<sup>th</sup> Ave. W., Seattle, WA (US) 98119; **Antonio Del Rosario**, 31525 10<sup>th</sup> Ave. S., Federal Way, WA (US) 98003; **June Angus**, 1823 12<sup>th</sup> Ave. W., Seattle, WA (US) 98119

(\*\*) Term: **14 Years**

(21) Appl. No.: **29/272,607**

(22) Filed: **Feb. 12, 2007**

(51) **LOC (8) Cl.** ..... **03-01**

(52) **U.S. Cl.** ..... **D3/226**

(58) **Field of Classification Search** ..... D3/226,  
D3/215, 219, 224, 221, 303, 232-248; 150/110,  
150/112, 113, 111; 224/158, 159, 240, 245,  
224/583, 674, 901, 904

See application file for complete search history.

(56) **References Cited**

**U.S. PATENT DOCUMENTS**

- 5,292,042 A \* 3/1994 Yamaguchi et al. .... 224/159
- D388,250 S \* 12/1997 Robinson et al. .... D3/245
- D439,040 S \* 3/2001 Vazquez ..... D3/233
- D490,238 S \* 5/2004 Bristel ..... D3/226

\* cited by examiner

*Primary Examiner*—Catherine R. Oliver

(57) **CLAIM**

The ornamental design for a “accessory pouch”, as shown and described.

**DESCRIPTION**

FIG. 1 is a front view of an accessory pouch;

FIG. 2 is a top view of an accessory pouch;

FIG. 3 is a bottom view of an accessory pouch;

FIG. 4 is a left side view of an accessory pouch;

FIG. 5 is a right side view of an accessory pouch;

FIG. 6 is a rear view of an accessory pouch;

FIG. 7 is a front view of a second embodiment of an accessory pouch; the top view being FIG. 2; the bottom view being FIG. 3, the rear view being FIG. 6;

FIG. 8 is a left side view of a second embodiment of an accessory pouch;

FIG. 9 is a right side view of a second embodiment of an accessory pouch;

FIG. 10 is a front view of a third embodiment of an accessory pouch; the top view being FIG. 2; the bottom view being FIG. 3, the rear view being FIG. 6;

FIG. 11 is a left side view of a third embodiment of an accessory pouch;

FIG. 12 is a right side view of a third embodiment of an accessory pouch;

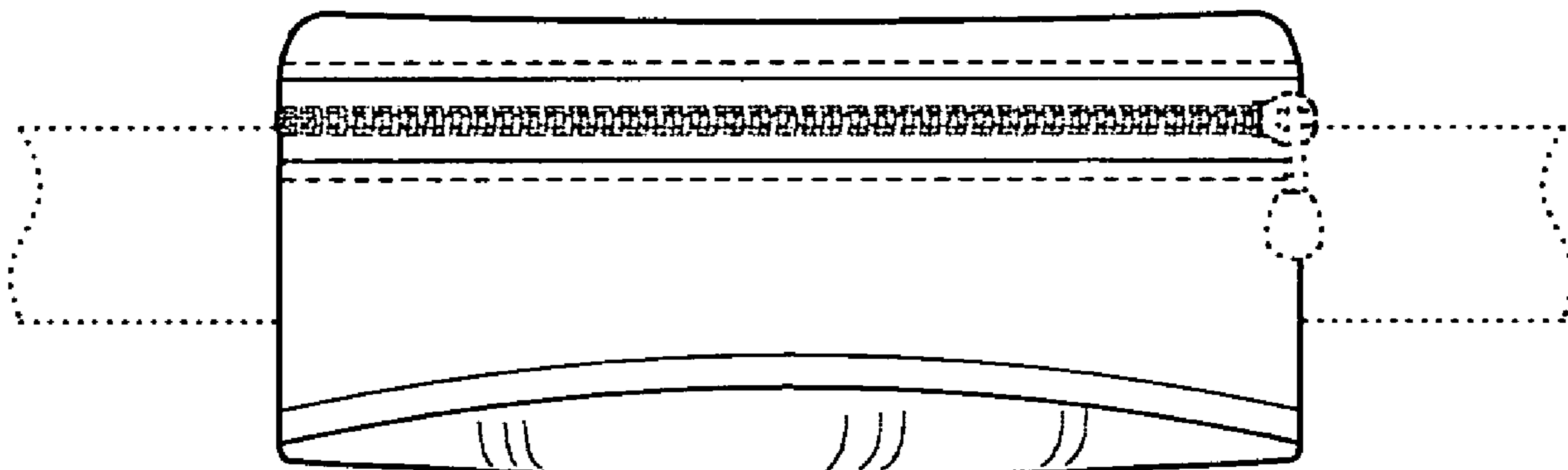
FIG. 13 is a front view of a fourth embodiment of an accessory pouch; the top view being FIG. 2; the bottom view being FIG. 3, the rear view being FIG. 6;

FIG. 14 is a left side view of a fourth embodiment of an accessory pouch; and,

FIG. 15 is a right side view of a fourth embodiment of an accessory pouch.

The broken line showing of a zipper/zipper pull and strap in FIGS. 1-15 is for illustrative purposes only and forms no part of the claimed design; the broken line showing of a strap attachment loop in FIGS. 2-6, 8, 9, 11, 12, 14, and 15 is for illustrative purposes only and forms no part of the claimed design.

**1 Claim, 3 Drawing Sheets**



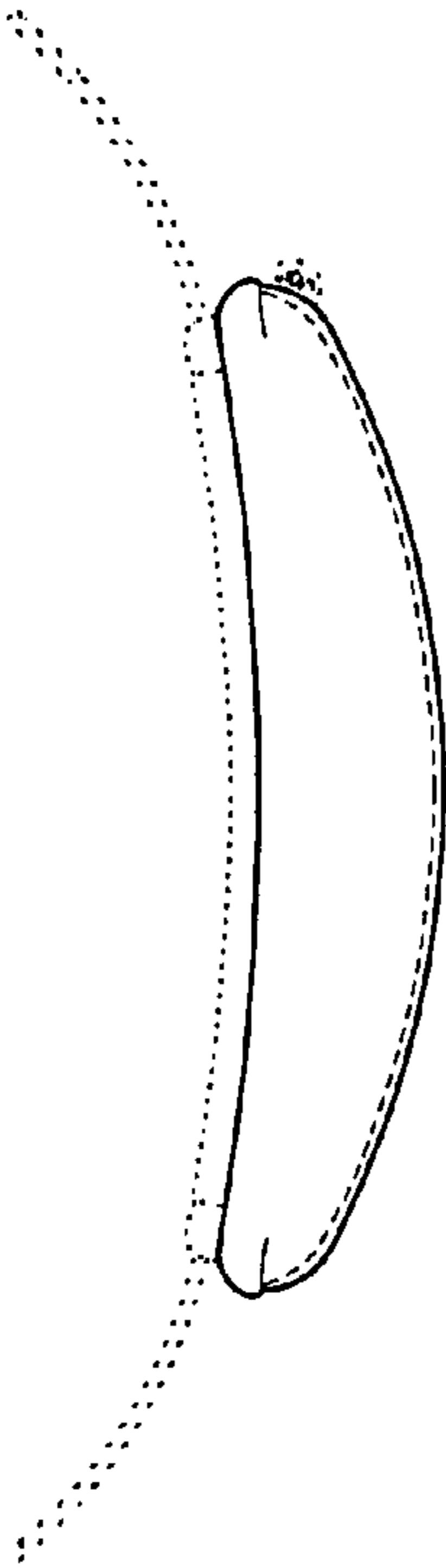


FIG. 2

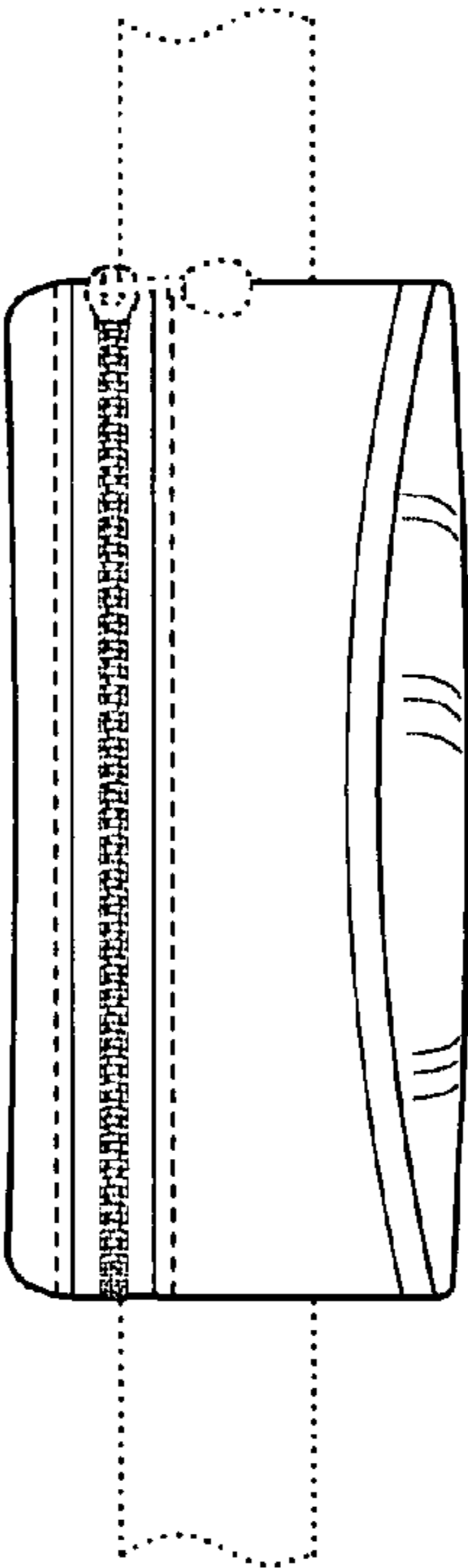


FIG. 1

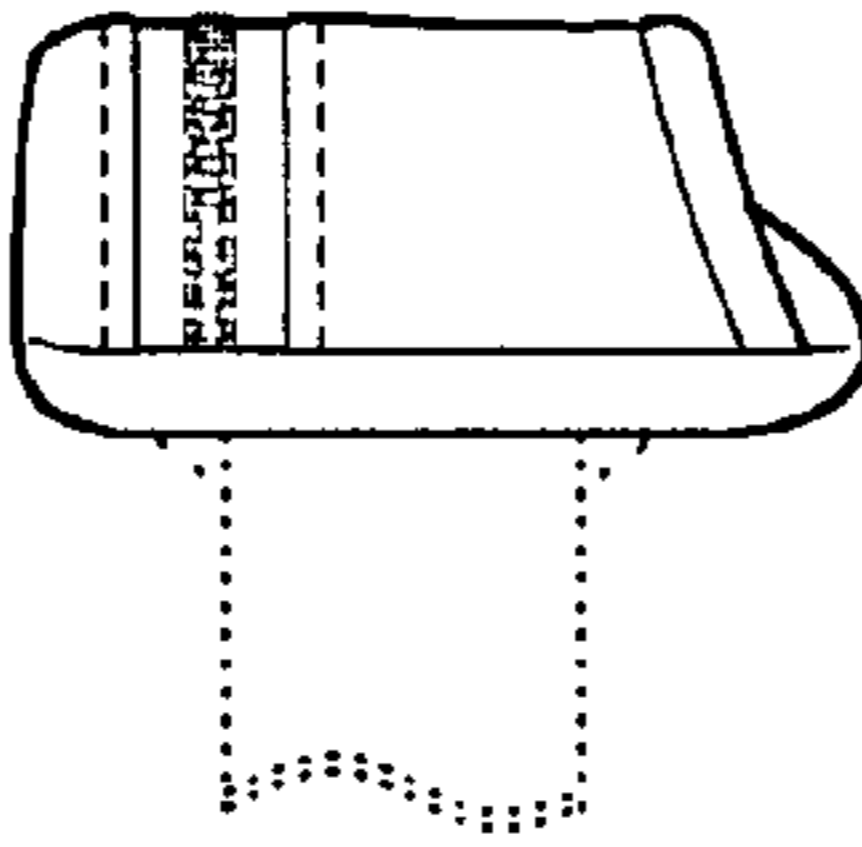


FIG. 4

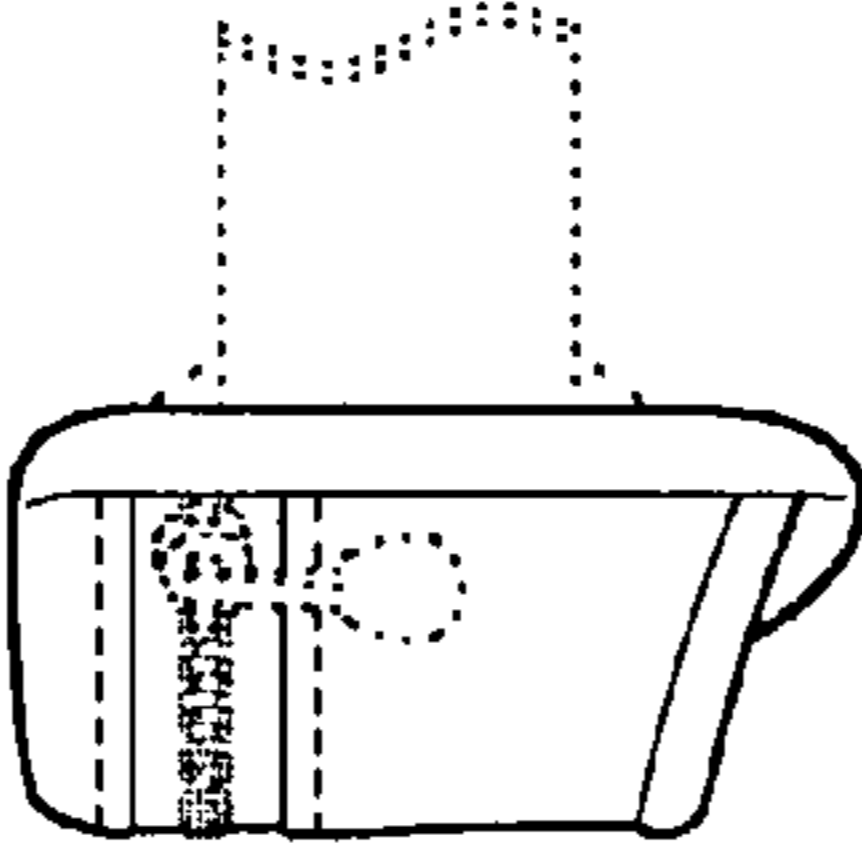


FIG. 5

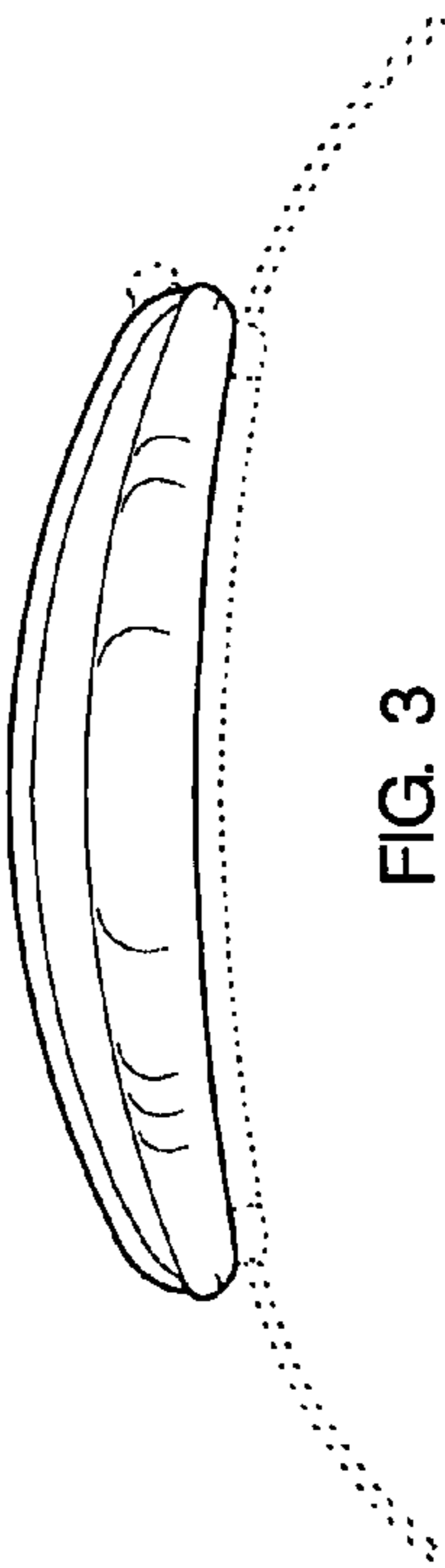


FIG. 3

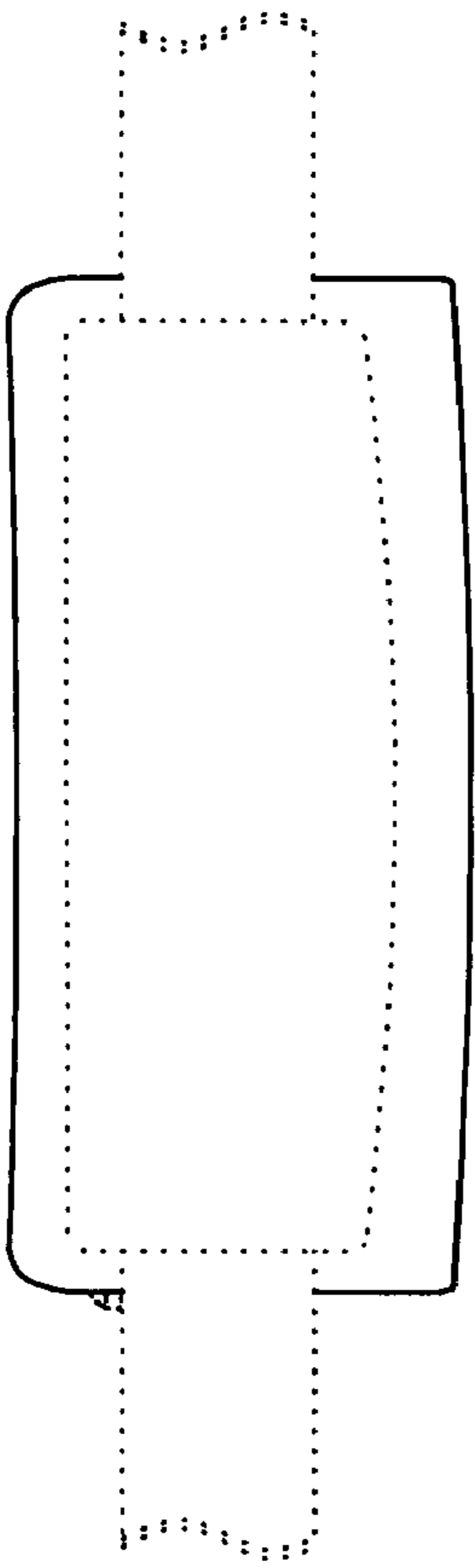


FIG. 6

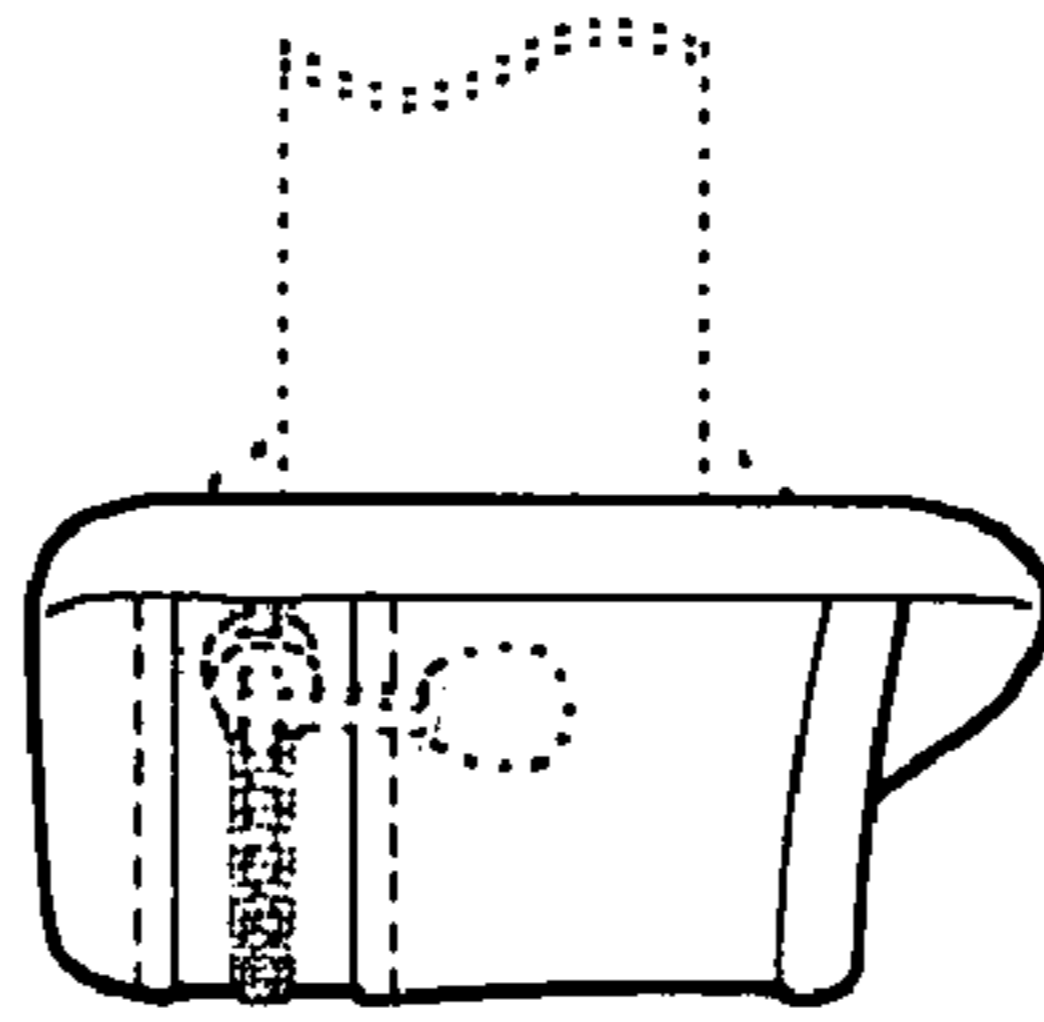


FIG. 9

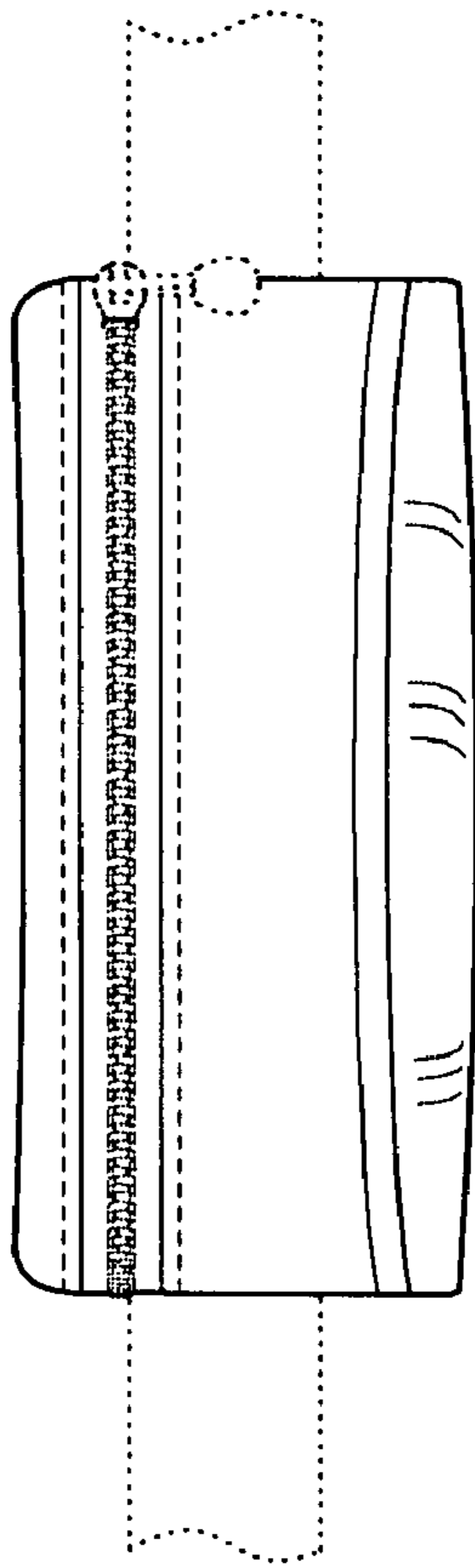


FIG. 7

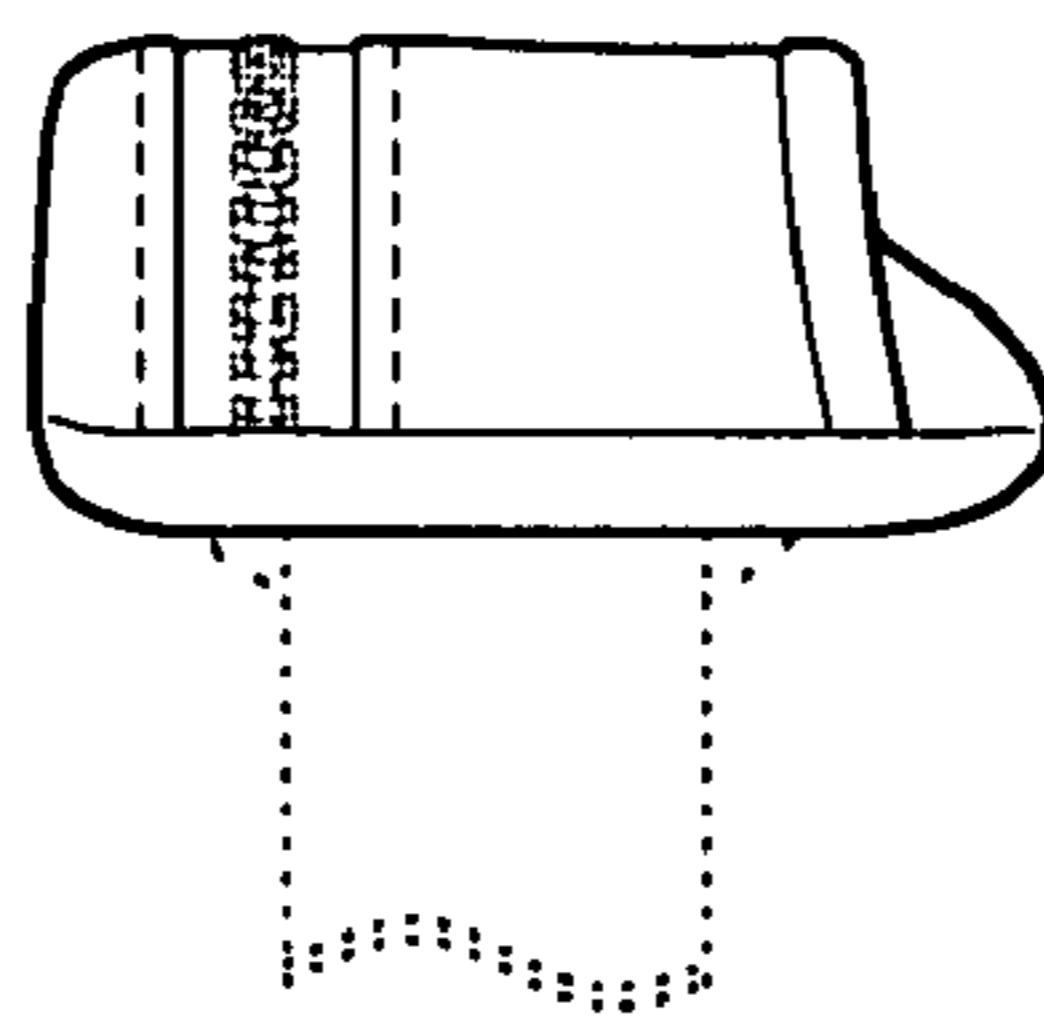


FIG. 8

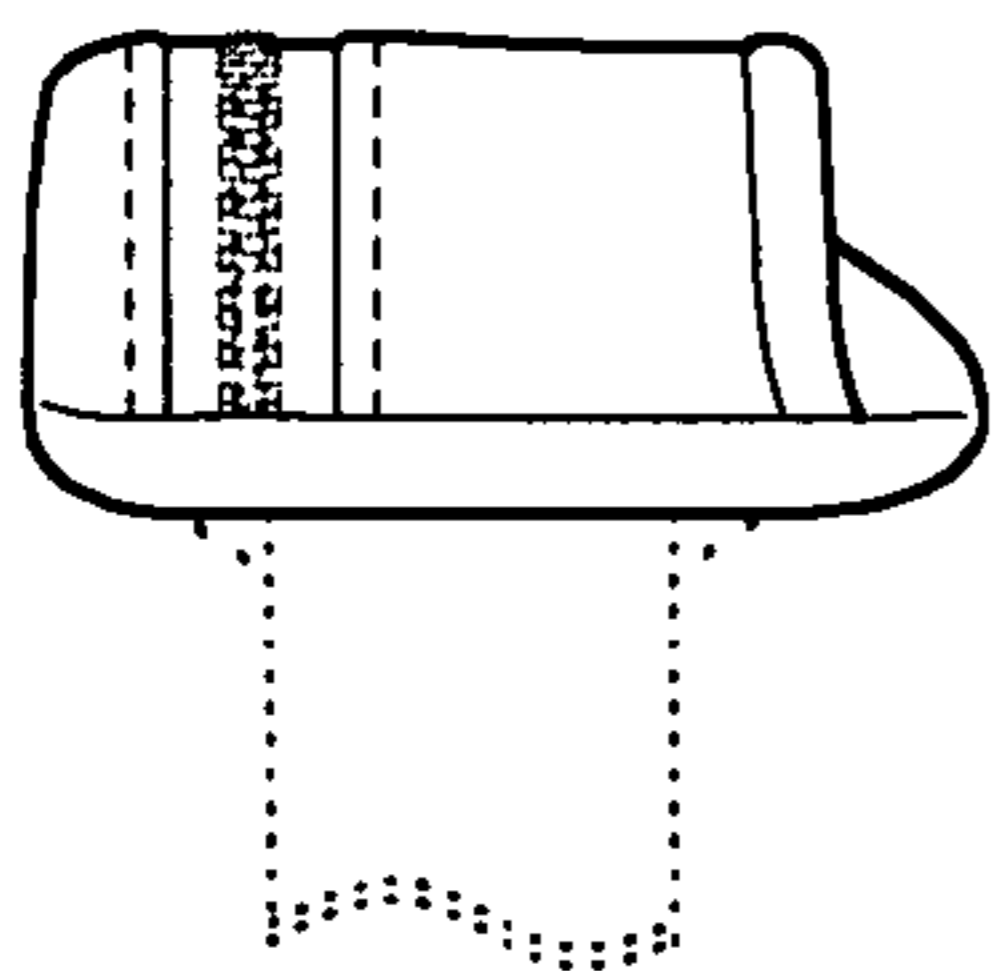


FIG. 11

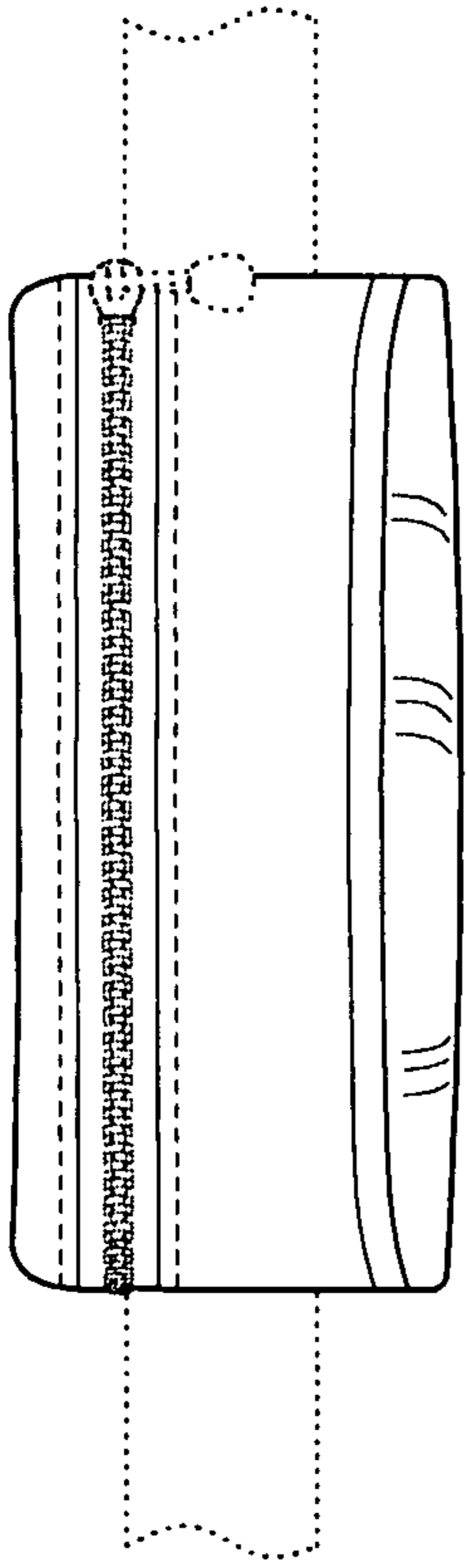


FIG. 10

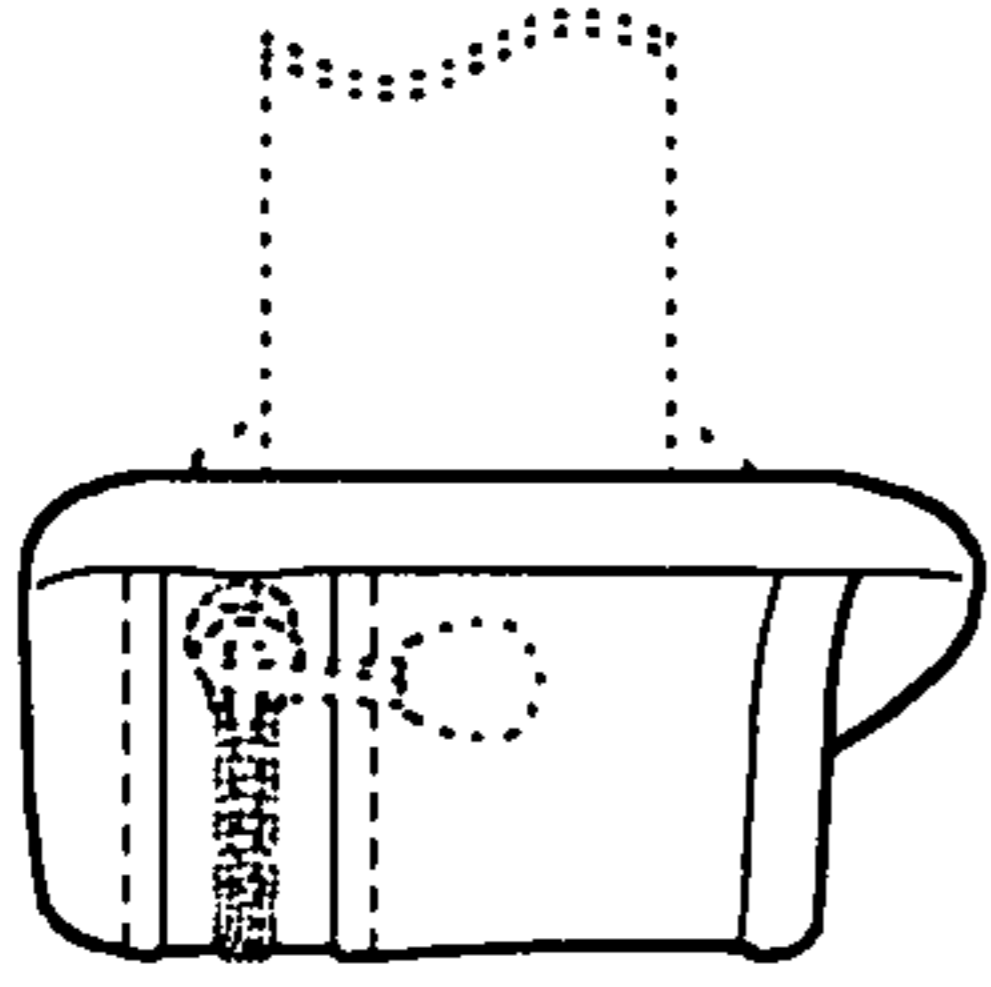


FIG. 12

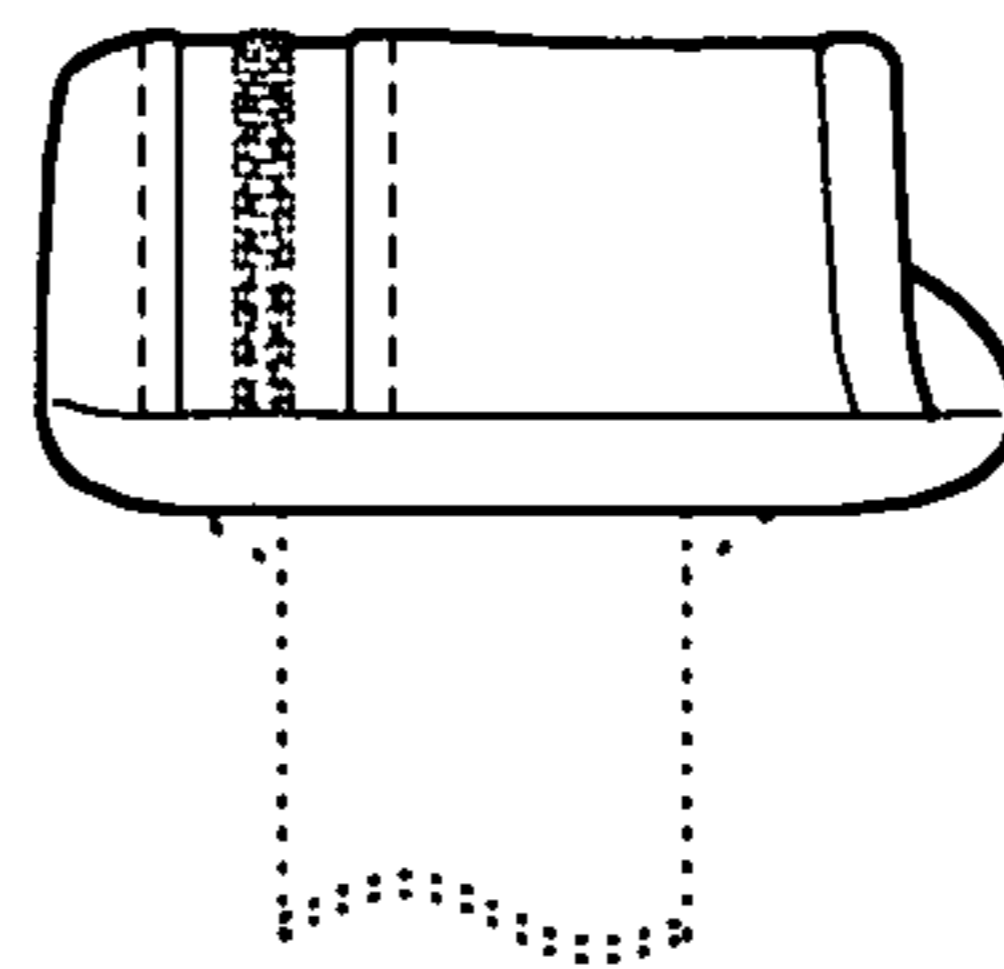


FIG. 14

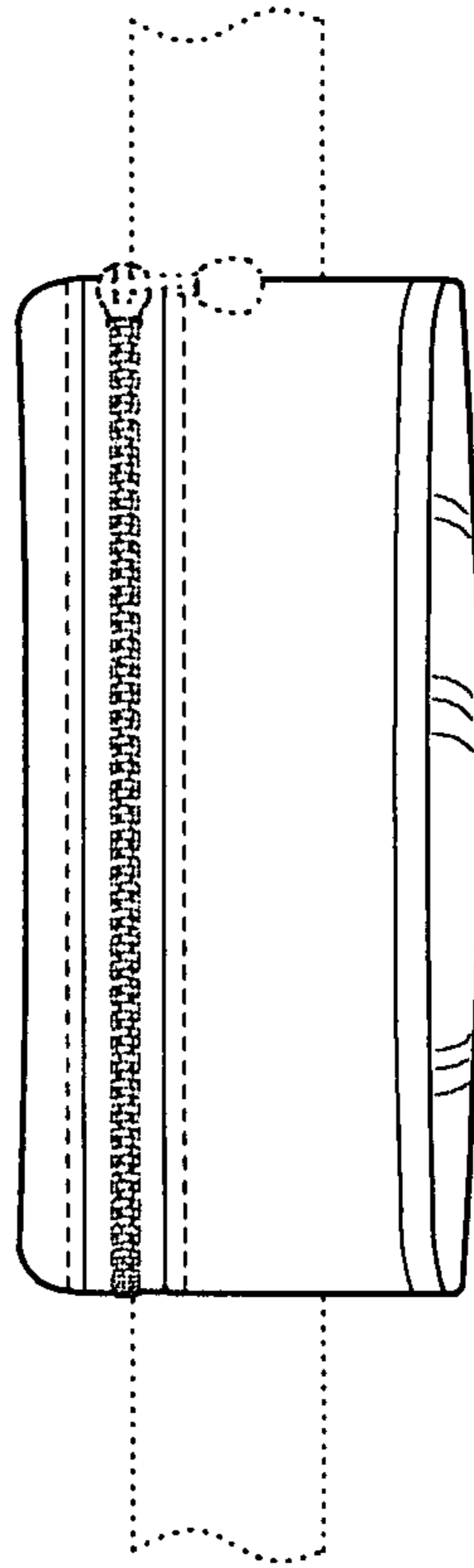


FIG. 13

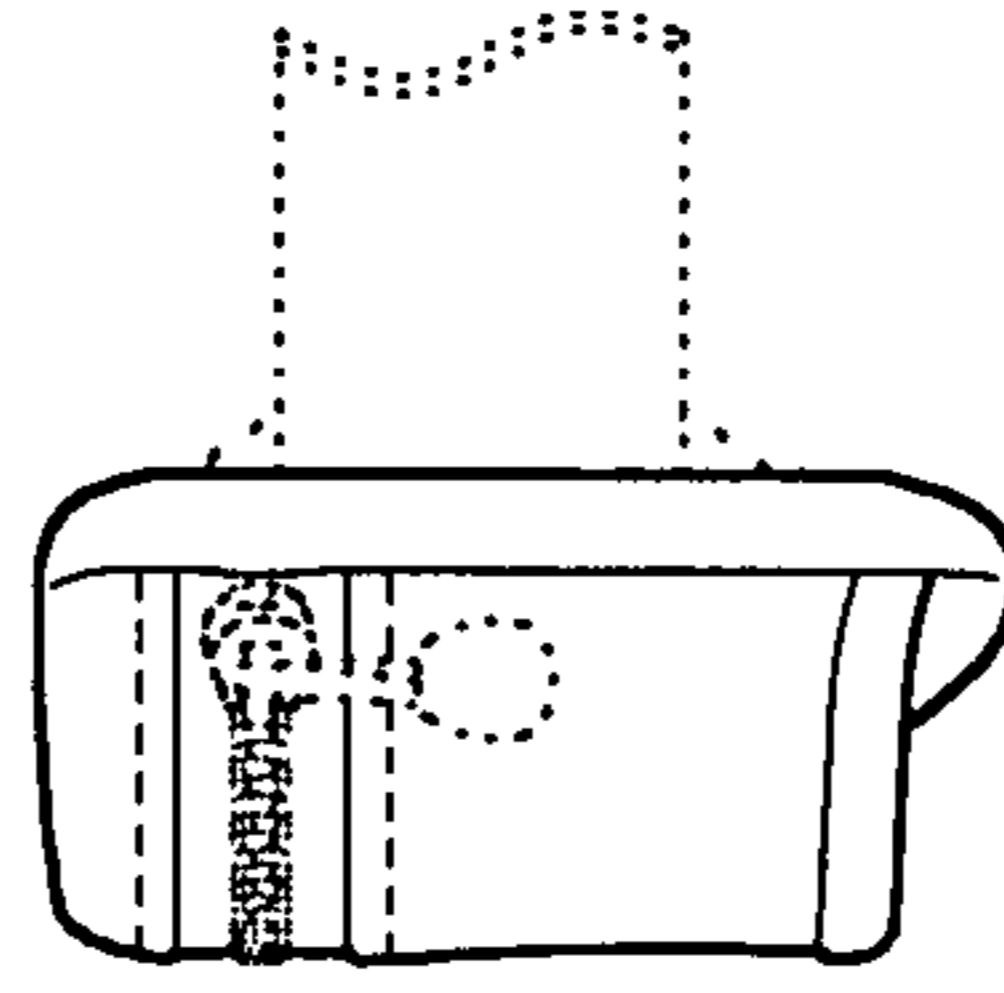


FIG. 15