



US00D553852S

(12) **United States Design Patent**  
**Brandenburg**

(10) **Patent No.:** **US D553,852 S**

(45) **Date of Patent:** **\*\* Oct. 30, 2007**

(54) **PORTABLE DIGITAL MEDIA PLAYER CASE**

(75) Inventor: **Kyle Brandenburg**, Plantation, FL  
(US)

(73) Assignee: **Marware, Inc.**, Hollywood, FL (US)

(\*\*) Term: **14 Years**

(21) Appl. No.: **29/251,854**

(22) Filed: **Jan. 13, 2006**

(51) **LOC (8) Cl.** ..... **03-01**

(52) **U.S. Cl.** ..... **D3/218**

(58) **Field of Classification Search** ..... D3/218,  
D3/219, 215, 226, 228, 230, 272-273, 294,  
D3/269; 206/320, 307, 307.1, 305, 308.1;  
224/682-683, 666, 600, 268-271; 379/455;  
455/90, 100

See application file for complete search history.

(56) **References Cited**

U.S. PATENT DOCUMENTS

D518,290 S *	4/2006	Andre et al. ....	D3/218
D519,275 S *	4/2006	Shertzer .....	D3/218
D526,780 S *	8/2006	Richardson et al. ....	D3/273
D530,079 S *	10/2006	Thomas et al. ....	D3/218
D539,530 S *	4/2007	Sanderson et al. ....	D3/218
D542,028 S *	5/2007	Yang et al. ....	D3/218

\* cited by examiner

*Primary Examiner*—Catherine R. Oliver

(74) *Attorney, Agent, or Firm*—Laurence A. Greenberg;  
Werner H. Stemer; Ralph E. Locher

(57) **CLAIM**

The ornamental design for a portable digital media player case, as shown and described.

**DESCRIPTION**

FIG. 1 is a front-elevational view of a portable digital media player case according to the invention;

FIG. 2 is a top-plan view of the case of the invention;

FIG. 3 is a bottom-plan view of the case according to the invention;

FIG. 4 is a left side-elevational view of the case of the invention, the right side being a mirror image thereof;

FIG. 5 is a rear-elevational view of the case of the invention;

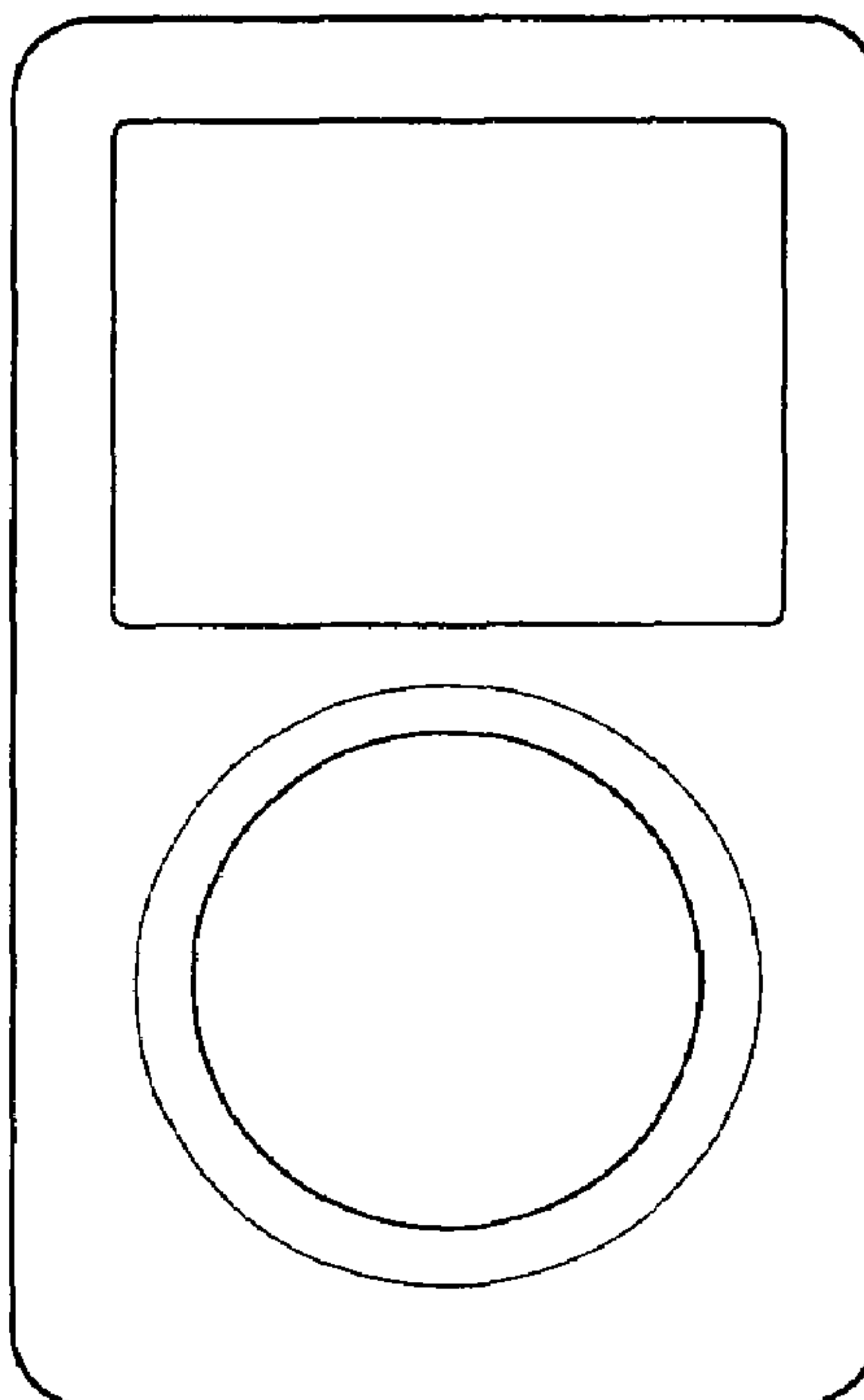
FIG. 6 is a bottom plan view showing storage for ear bud headphones;

FIG. 7 is a rear elevational view showing the storage for the ear bud headphones; and,

FIG. 8 is a perspective view showing the storage for the earbud headphones.

The broken line showing of environment in the drawings is included for the purpose of illustrating only and forms no part of the claimed design.

**1 Claim, 2 Drawing Sheets**



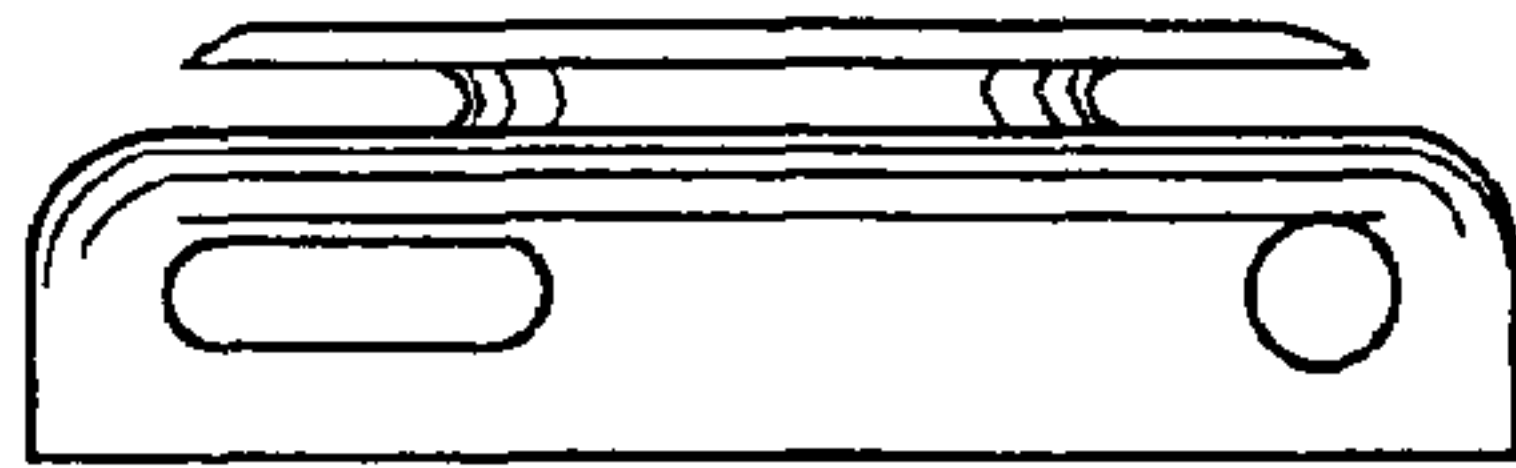


Fig 2

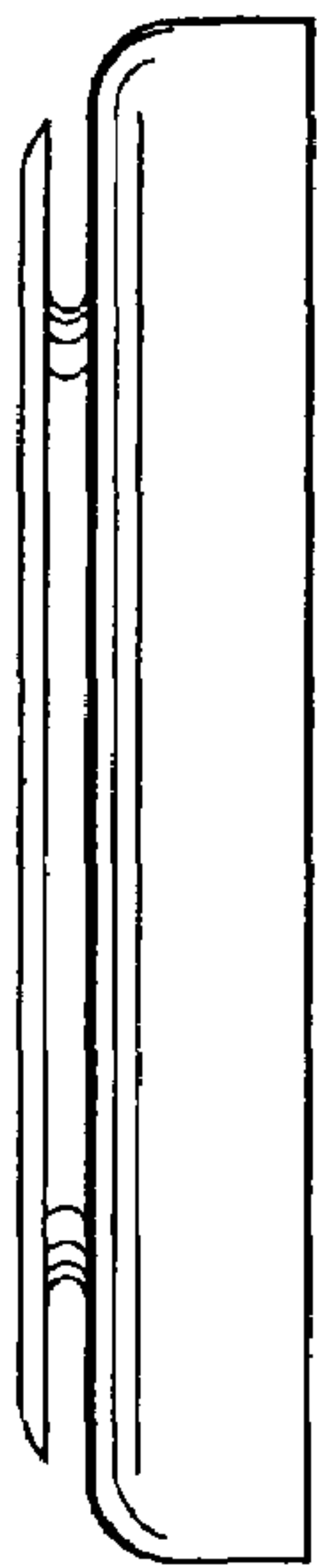


Fig 4

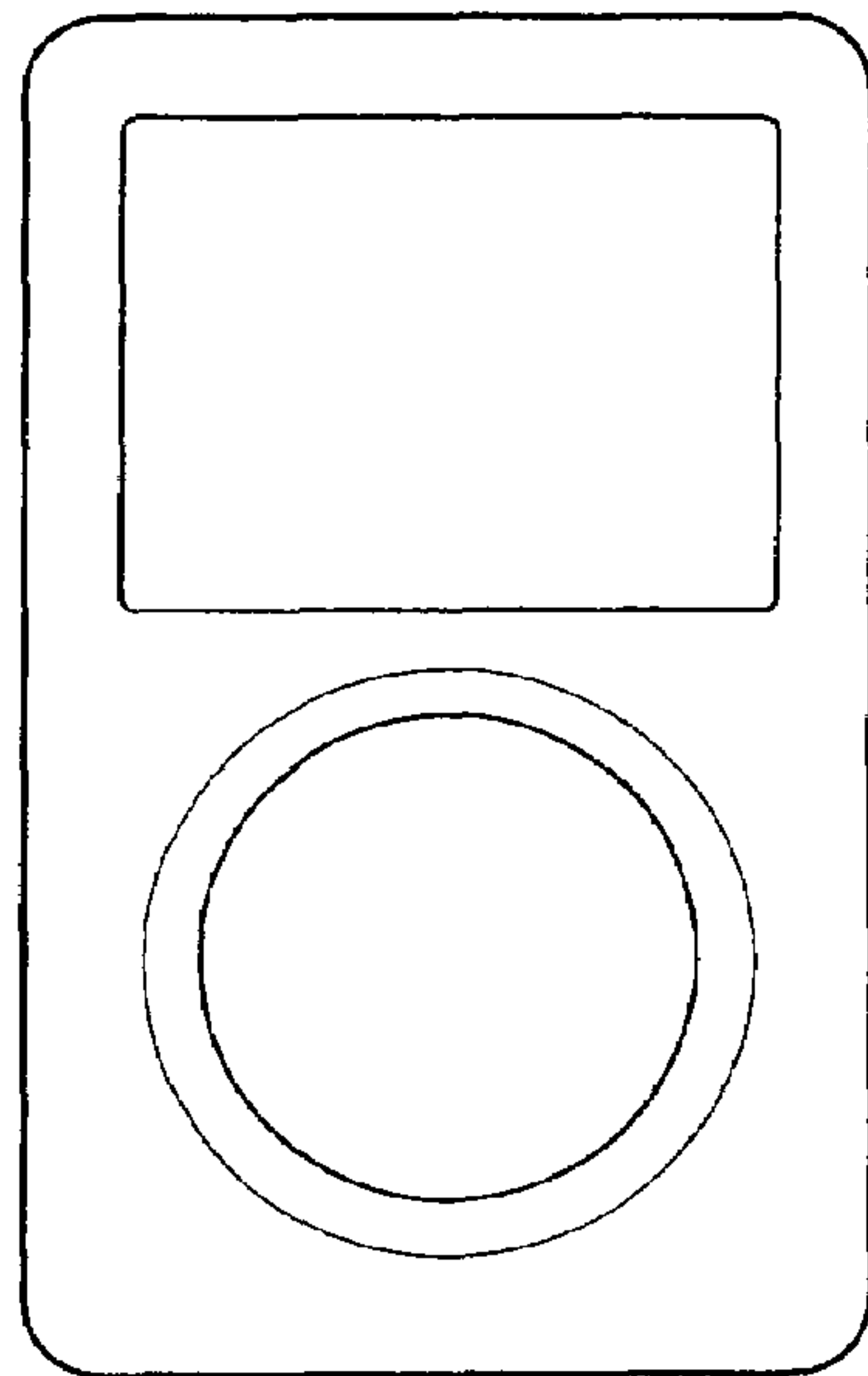


Fig 1

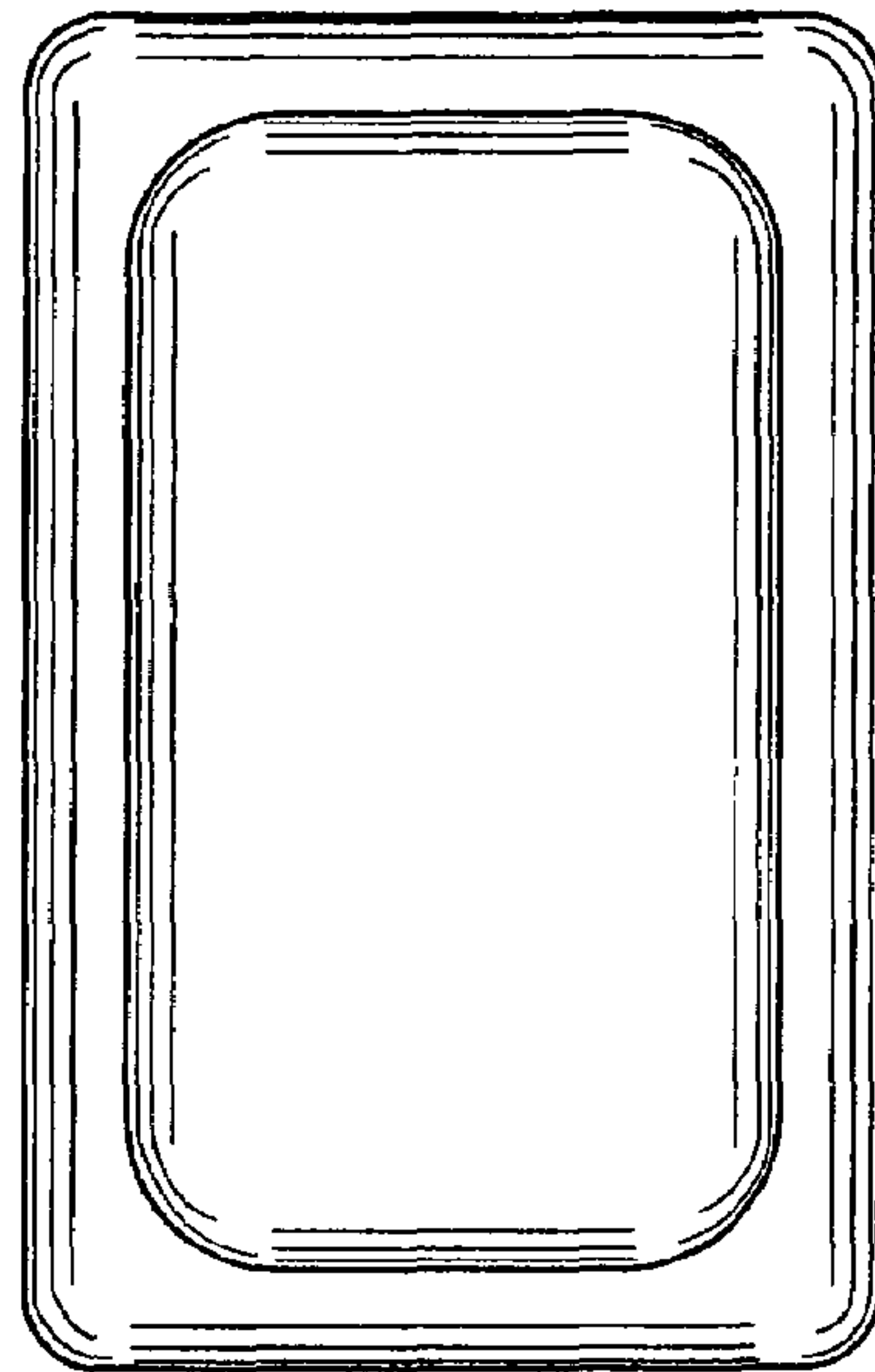


Fig 5

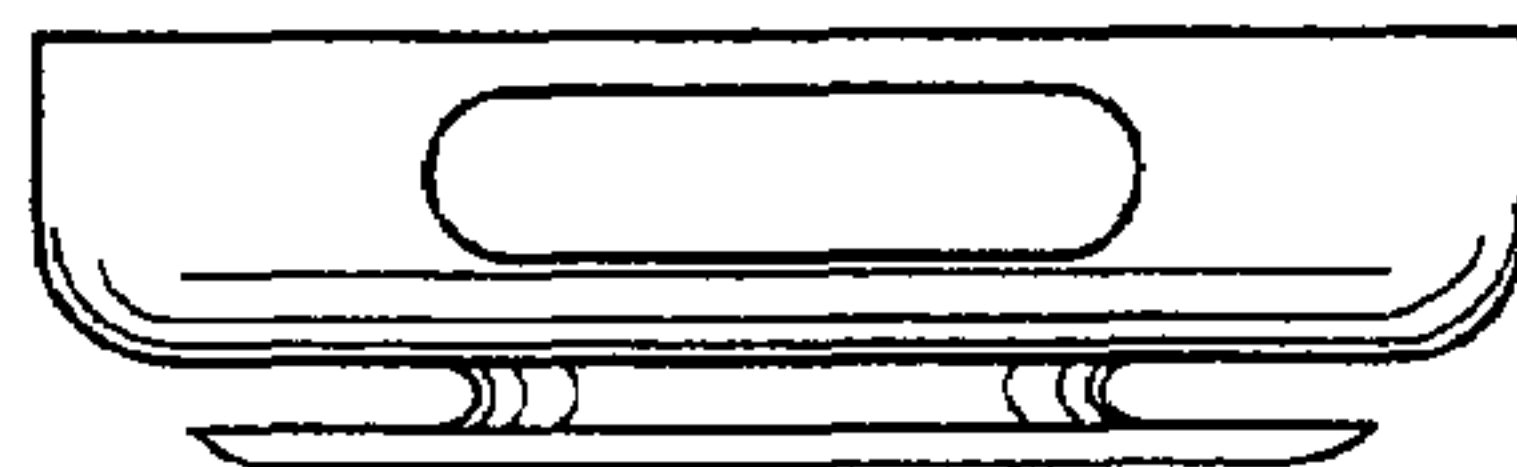


Fig 3

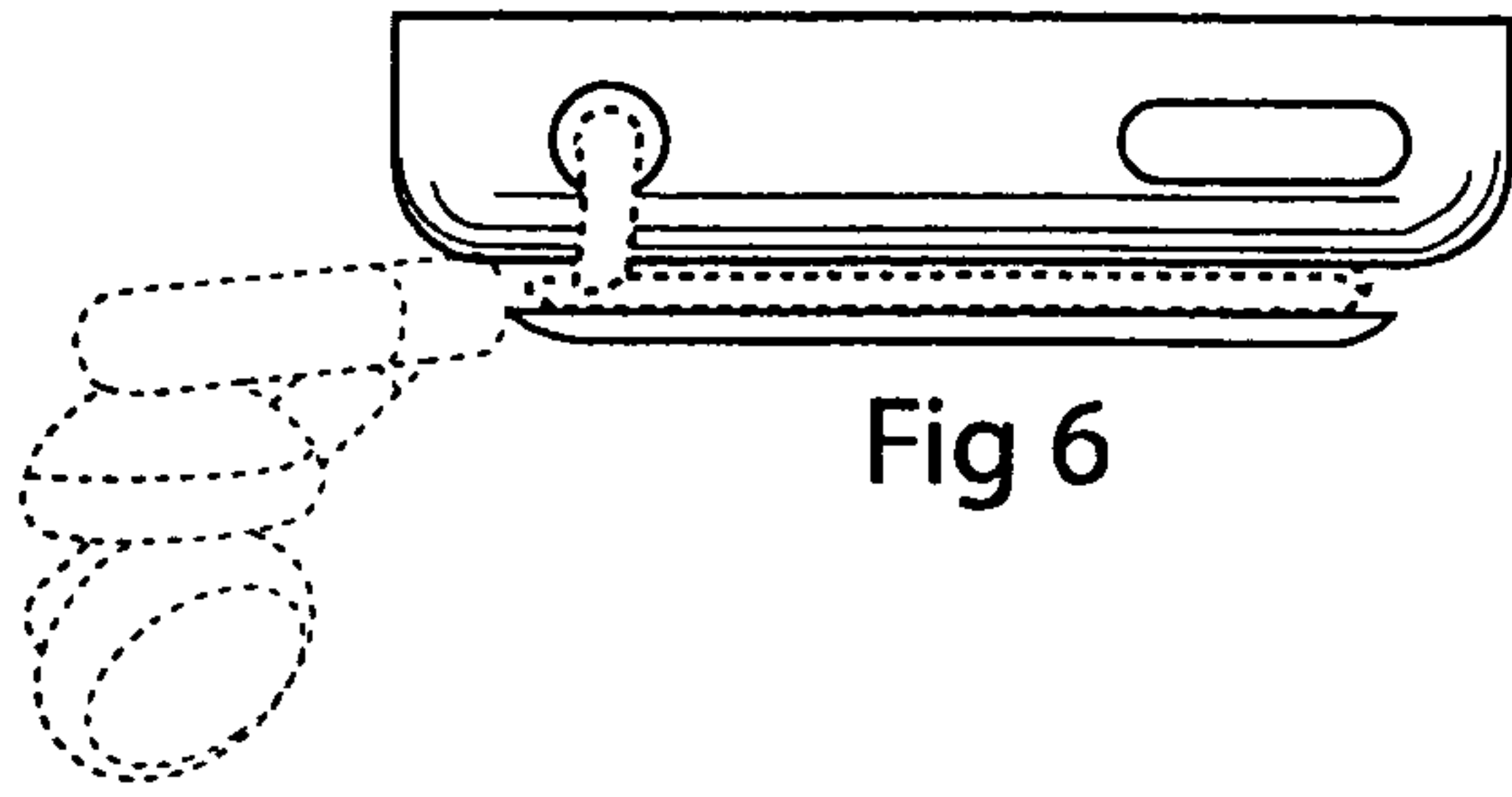


Fig 6

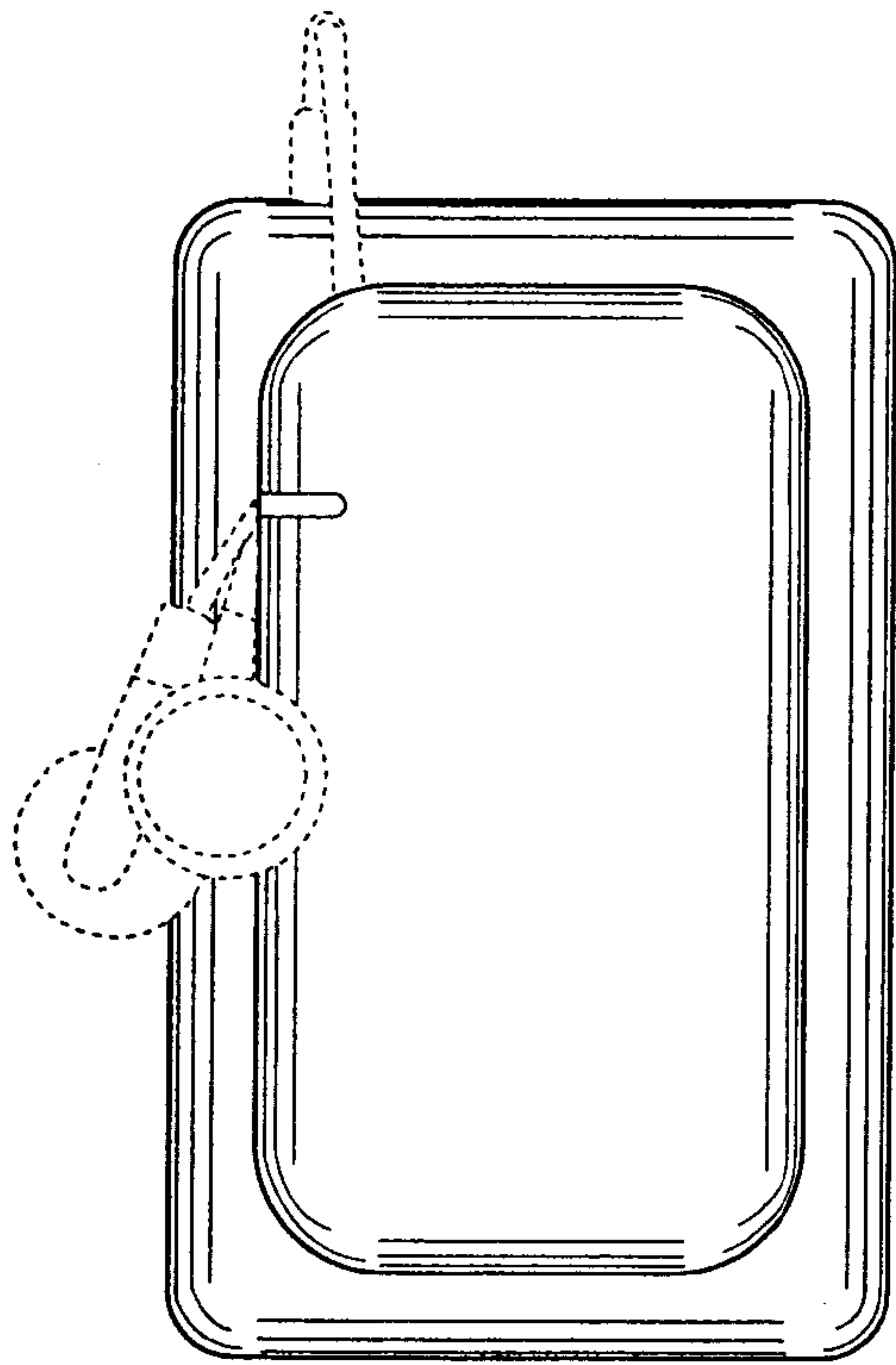


Fig 7

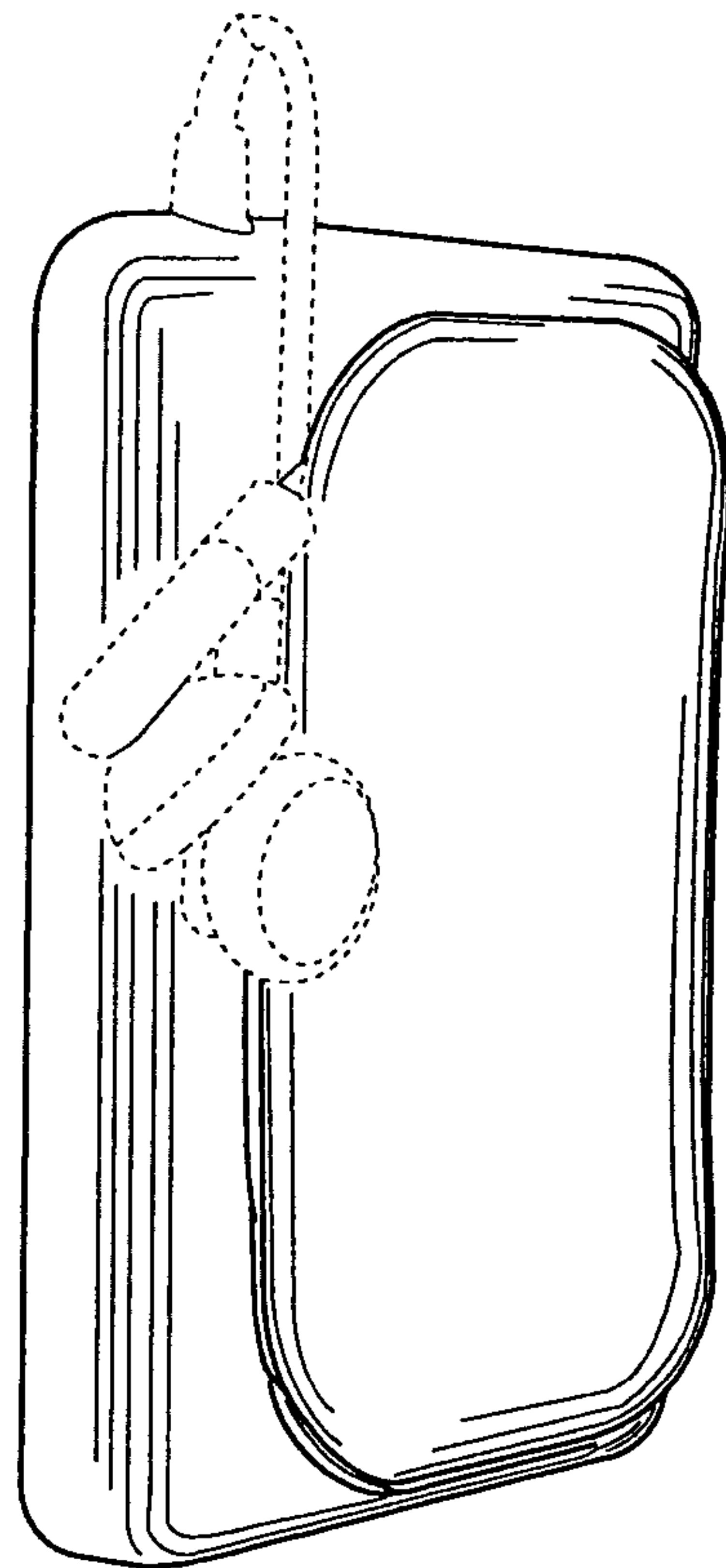


Fig 8