



US00D553851S

(12) **United States Design Patent**
MacAuley

(10) **Patent No.:** **US D553,851 S**

(45) **Date of Patent:** **** Oct. 30, 2007**

(54) **WATERPROOF POUCH FOR CARRYING PORTABLE ELECTRONIC DEVICE SUCH AS A MP3 PLAYER**

Primary Examiner—Catherine R. Oliver
(74) *Attorney, Agent, or Firm*—Charles J. Kulas; Trellis Intellectual Property Law Group, PC

(75) **Inventor:** **Andrew S. MacAuley**, London (GB)

(73) **Assignee:** **Aquapac International Limited**, London (GB)

(**) **Term:** **14 Years**

(21) **Appl. No.:** **29/235,972**

(22) **Filed:** **Aug. 8, 2005**

(51) **LOC (8) Cl.** **03-01**

(52) **U.S. Cl.** **D3/218; D3/201**

(58) **Field of Classification Search** D3/226, D3/215, 218, 224, 228, 230, 299; D2/624–627; 224/219, 222, 267, 673–676, 682–684; D9/700–707
See application file for complete search history.

(56) **References Cited**

U.S. PATENT DOCUMENTS

2,351,158	A *	6/1944	Stelzer	224/682
D202,298	S *	9/1965	Pickands	D9/707
D296,389	S *	6/1988	Taylor	D3/230
5,645,205	A *	7/1997	Kennedy	224/676
5,775,561	A *	7/1998	Kennedy	224/676
D458,021	S *	6/2002	Willows et al.	D3/226
D495,485	S *	9/2004	Gordon	D3/226
D514,951	S *	2/2006	Vaisnys et al.	D9/707

* cited by examiner

(57) **CLAIM**

The ornamental design for a waterproof pouch for carrying a portable electronic device such as an MP3 player, as shown and described.

DESCRIPTION

FIG. 1 is a perspective view of a waterproof pouch for carrying portable electronic device such as an MP3 player showing my new design;

FIG. 2 is a top plan view of the inner waterproof pouch;

FIG. 3 is a front elevational view of the inner waterproof pouch;

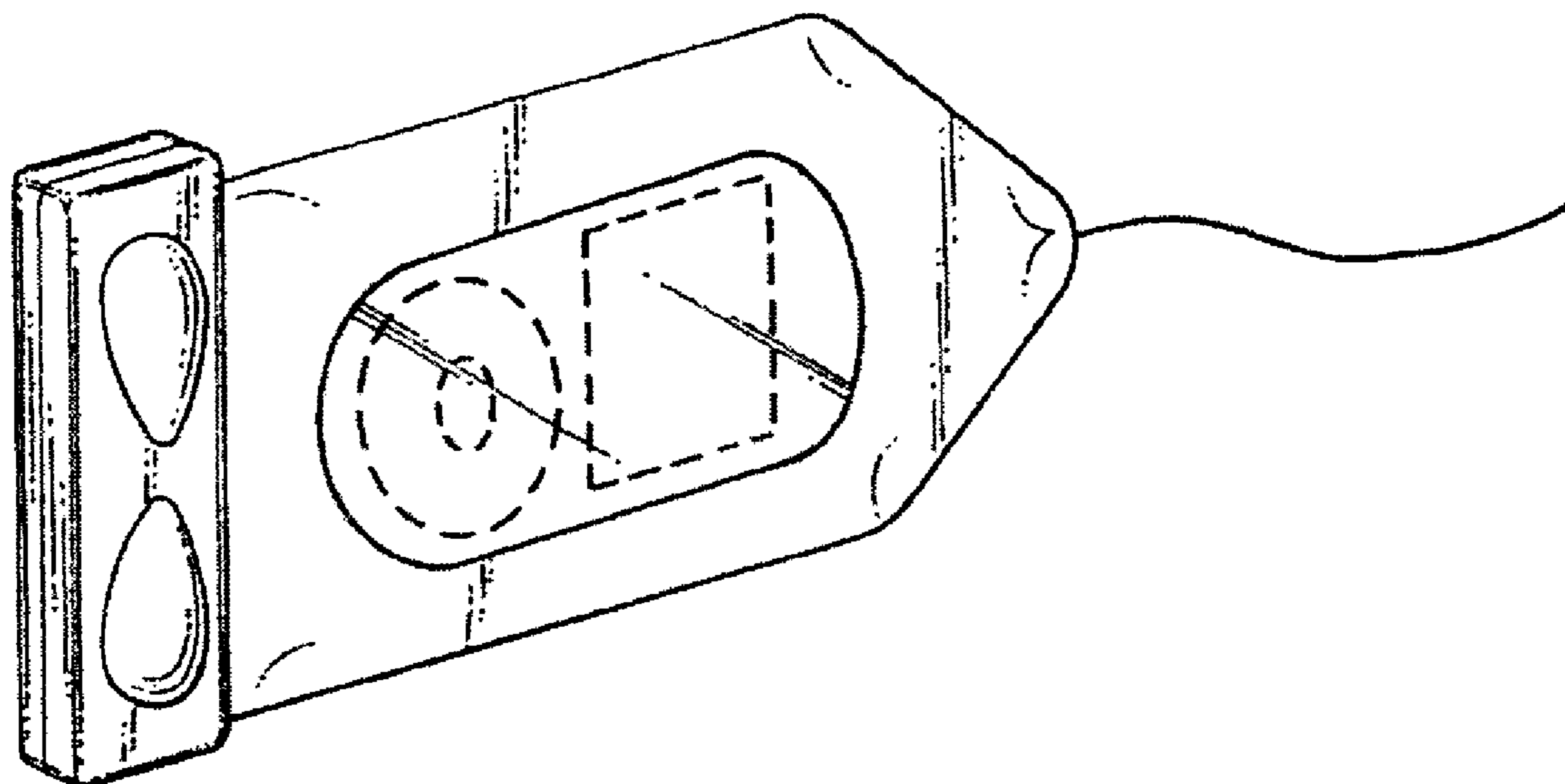
FIG. 4 is a left side elevational view of the inner waterproof pouch;

FIG. 5 is a right side elevational view of the inner waterproof pouch;

FIG. 6 is a bottom plan view of the inner waterproof pouch; and,

FIG. 7 is a rear elevational view of the inner waterproof pouch.

1 Claim, 1 Drawing Sheet



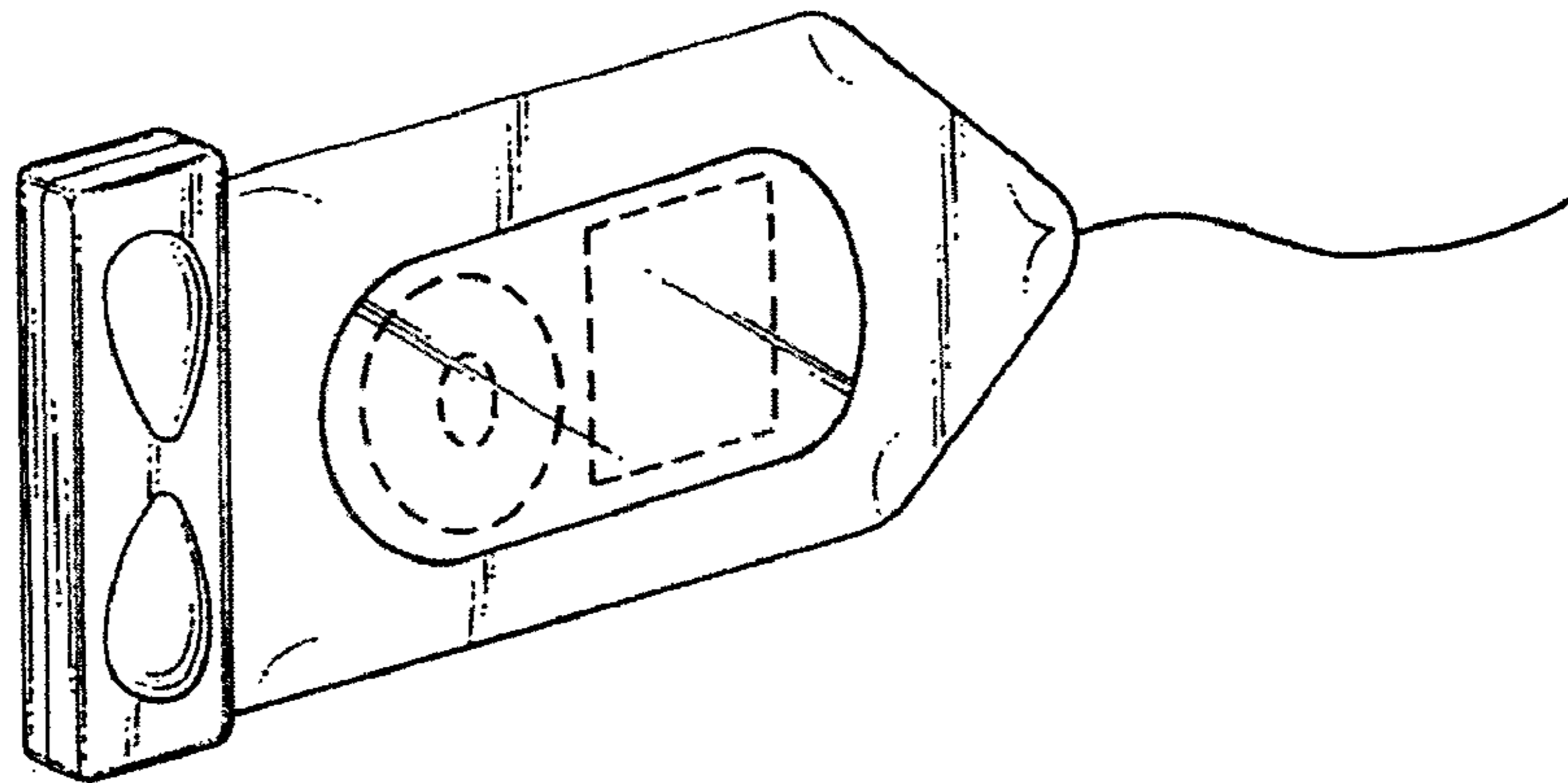


FIG. 1

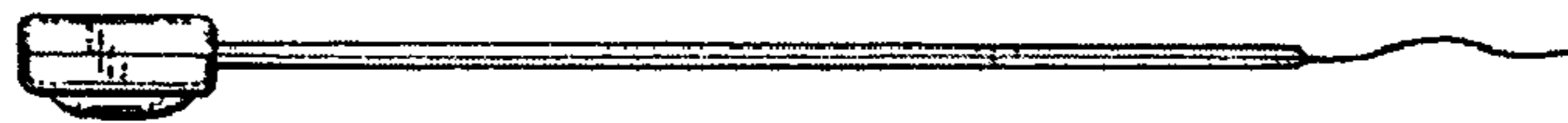


FIG. 2



FIG. 4

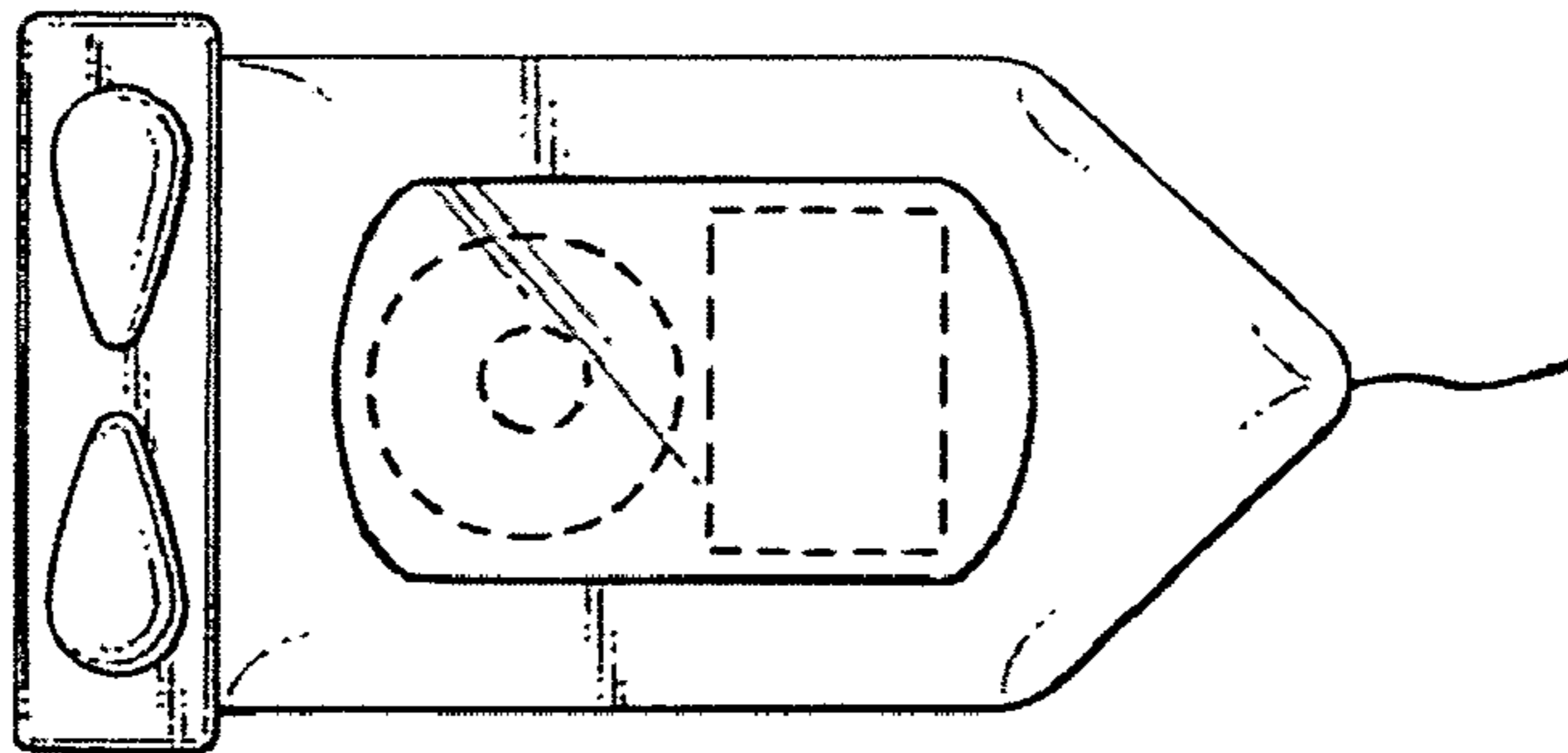


FIG. 3



FIG. 5



FIG. 6

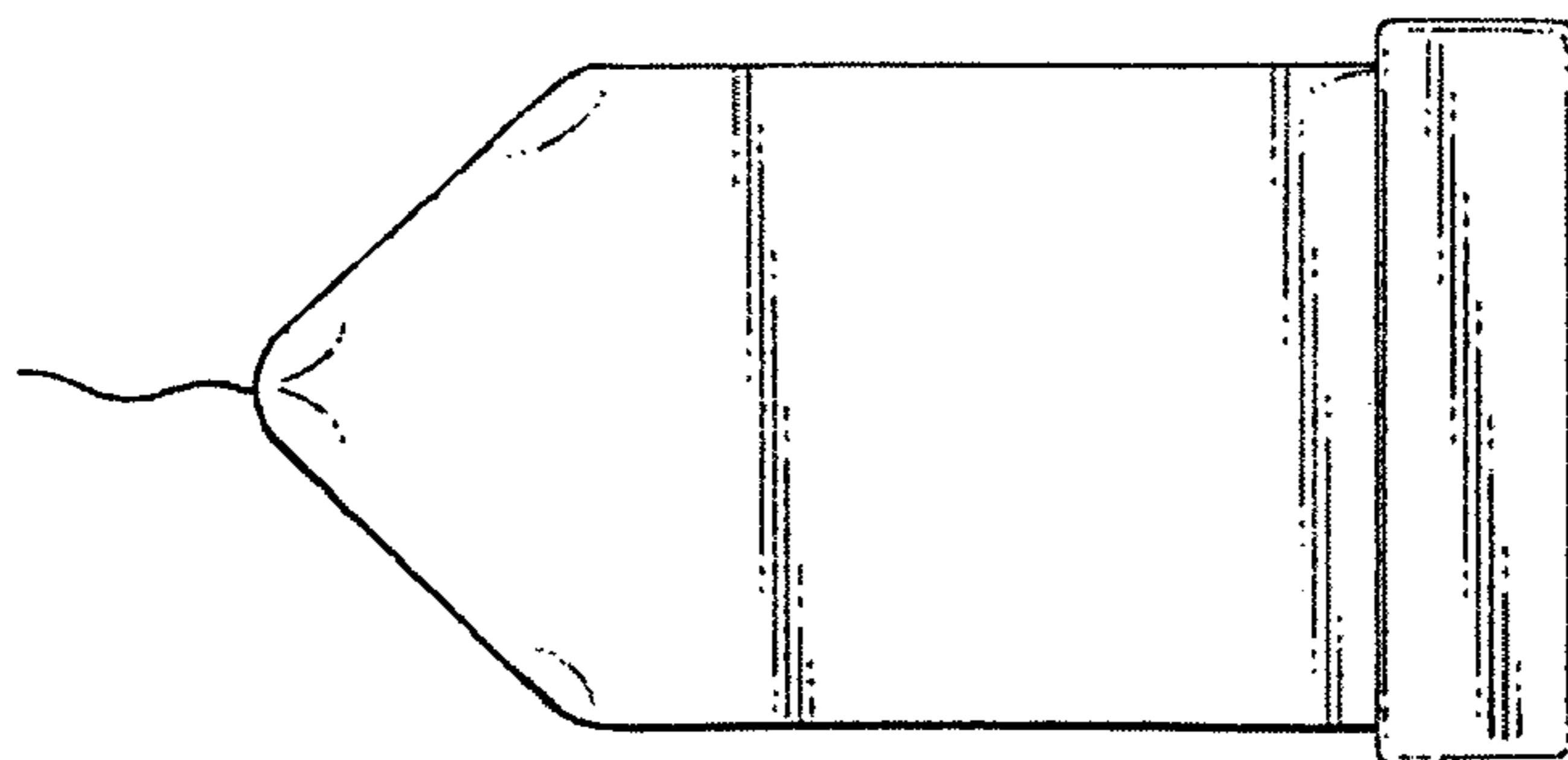


FIG. 7