



US00D553849S

(12) **United States Design Patent**
Snyder

(10) **Patent No.:** **US D553,849 S**

(45) **Date of Patent:** **** Oct. 30, 2007**

(54) **BUTTON TOOL**

(75) Inventor: **Darryl L. Snyder**, Canton, OH (US)

(73) Assignee: **Snyder National Corporation**, Canton, OH (US)

(**) Term: **14 Years**

(21) Appl. No.: **29/241,578**

(22) Filed: **Oct. 28, 2005**

(51) **LOC (8) Cl.** **03-01**

(52) **U.S. Cl.** **D3/18**

(58) **Field of Classification Search** D3/18-29,
D3/643; 223/102-104; 66/1 A, 6, 116-118;
289/13, 16, 18.1; 112/110, 116, 78, 80.5;
7/123; 24/40

See application file for complete search history.

(56) **References Cited**

U.S. PATENT DOCUMENTS

215,612 A	5/1879	Howland	
240,632 A	4/1881	Adamson	
319,015 A	6/1885	Paine	
339,055 A	3/1886	Henderson	
413,314 A	10/1889	Betzel	
D25,602 S	6/1896	Sommer	
579,262 A	3/1897	Esterly	
D32,524 S	4/1900	Spencer	
1,197,358 A	9/1916	Eschenbrenner	
1,291,563 A	1/1919	Laughlin	
1,469,437 A	10/1923	Fredrickson	
2,912,733 A	11/1959	Layman	
3,678,712 A *	7/1972	Singleton	66/118
3,683,459 A	8/1972	Johansen	
4,361,101 A *	11/1982	Marsh et al.	112/110
D269,052 S *	5/1983	Windsor et al.	D3/28
4,413,847 A *	11/1983	Doyel	289/17
D274,195 S *	6/1984	Strauss	D3/28
D282,590 S *	2/1986	Ramik	D28/20
4,603,560 A *	8/1986	Pietrowski	66/1 R

D293,621 S *	1/1988	Jackson	D3/18
D297,071 S *	8/1988	Mayer	D2/643
4,942,646 A	7/1990	Sebastian	
5,276,948 A	1/1994	Steadman	
5,347,688 A	9/1994	Ross	
D384,186 S	9/1997	Teaman	
D386,899 S *	12/1997	Carroll	D3/18
D401,389 S	11/1998	Taylor	

* cited by examiner

Primary Examiner—Louis S. Zarfes

Assistant Examiner—Anhdao Doan

(74) *Attorney, Agent, or Firm*—Zollinger & Burleson Ltd.

(57) **CLAIM**

The ornamental design for a button tool, as shown and described.

DESCRIPTION

FIG. 1 is a perspective view of a first embodiment of a button tool showing the new design;

FIG. 2 is a top plan view thereof;

FIG. 3 is a front elevation view thereof;

FIG. 4 is a left side view thereof;

FIG. 5 is a right elevation view thereof;

FIG. 6 is a rear elevation view thereof;

FIG. 7 is a bottom plan view thereof;

FIG. 8 is a perspective view of a second embodiment of the button tool;

FIG. 9 is a top plan view thereof, the bottom view being a mirror image;

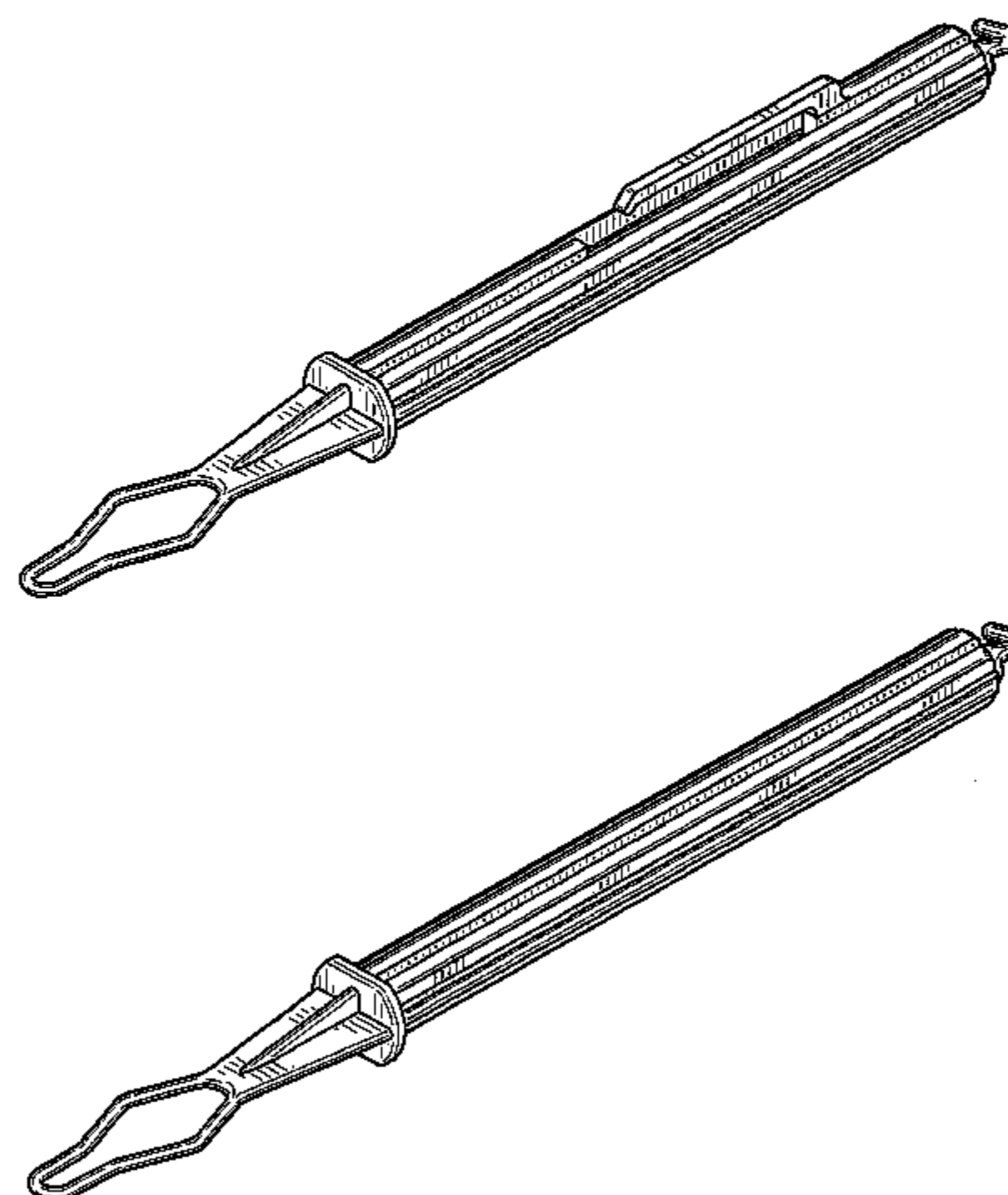
FIG. 10 is a front elevation view thereof;

FIG. 11 is left side view thereof;

FIG. 12 is a right side view thereof; and,

FIG. 13 is a rear view thereof.

1 Claim, 7 Drawing Sheets



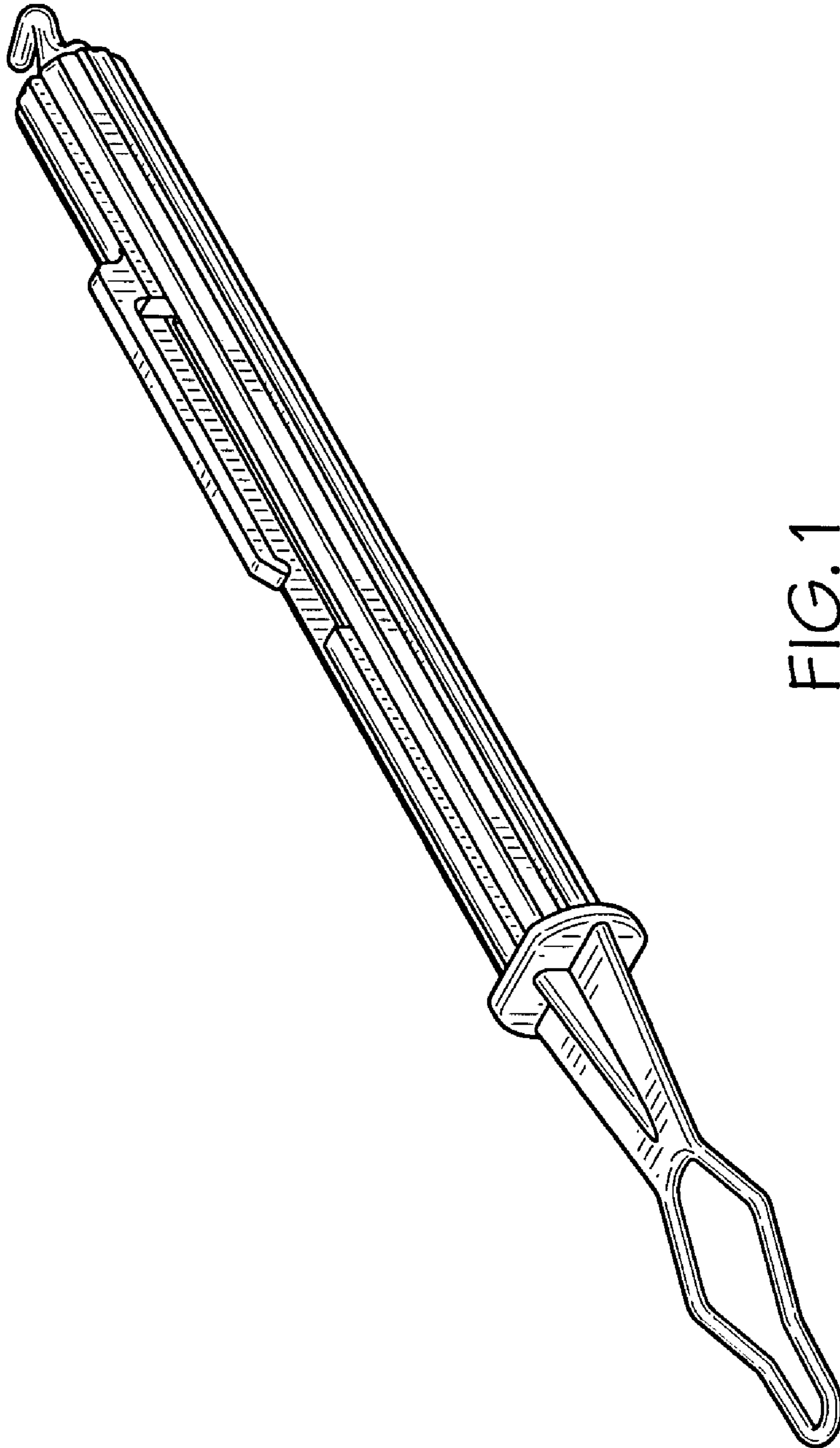


FIG. 1

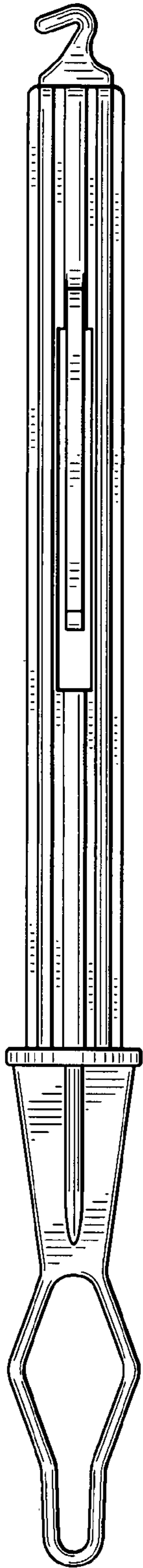


FIG. 2



FIG. 3

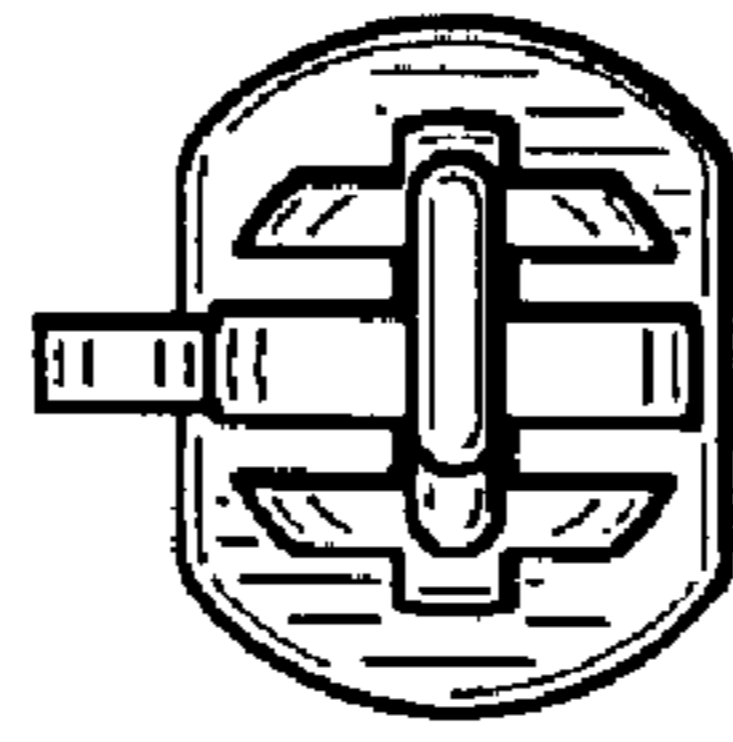


FIG. 5

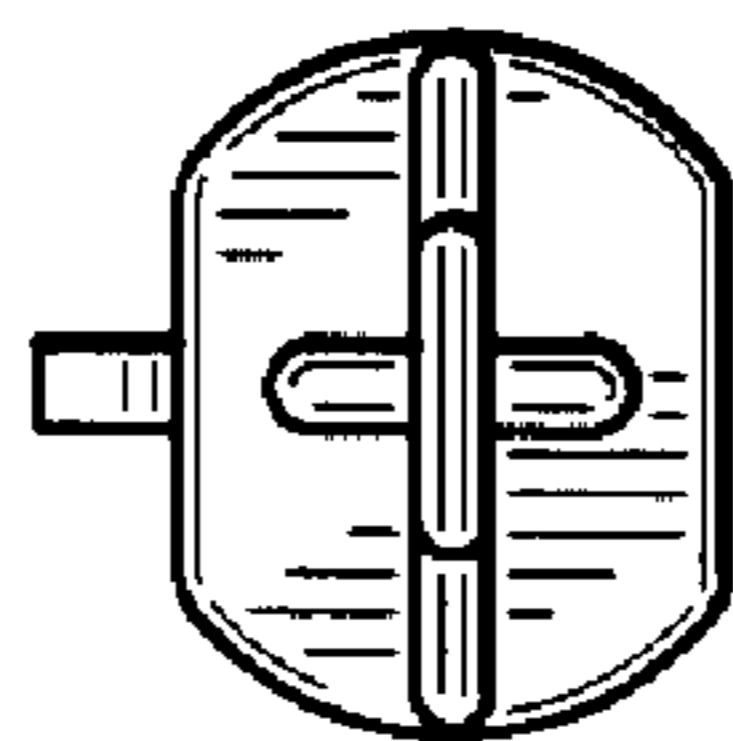


FIG. 4

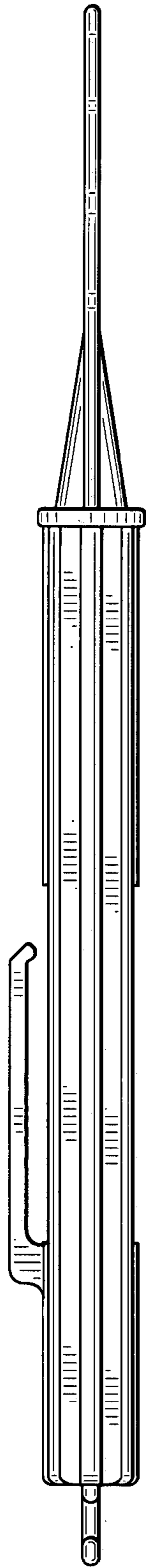


FIG. 6

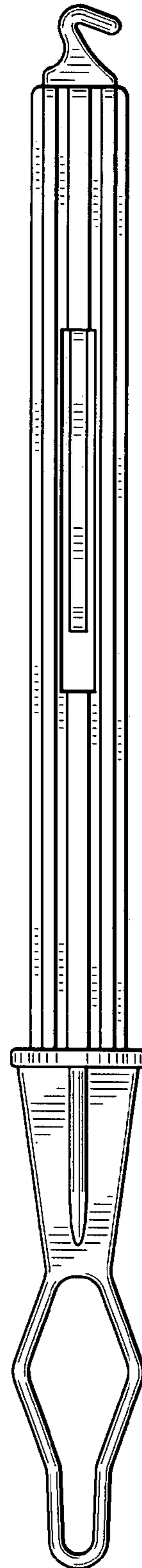


FIG. 7

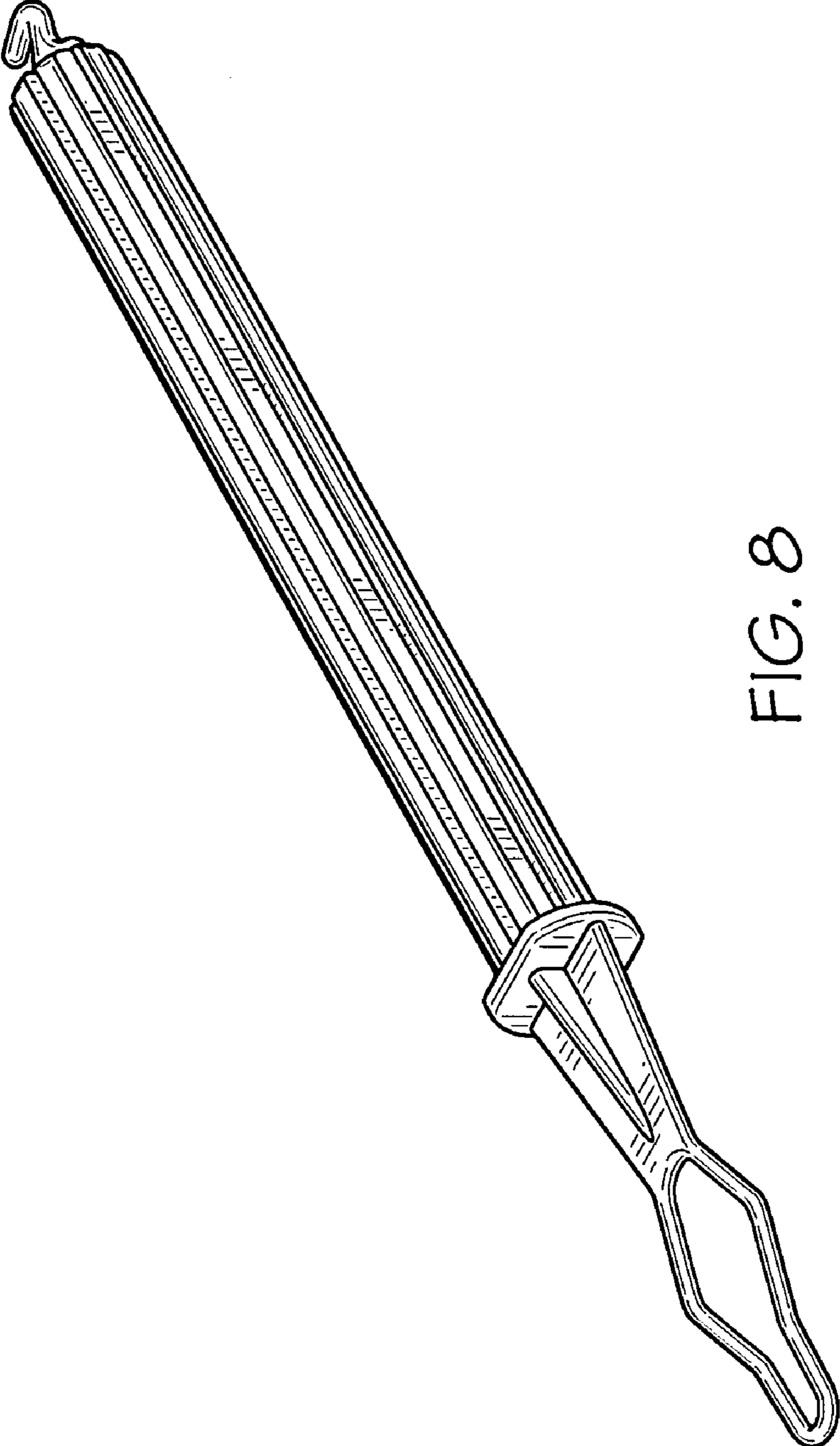


FIG. 8

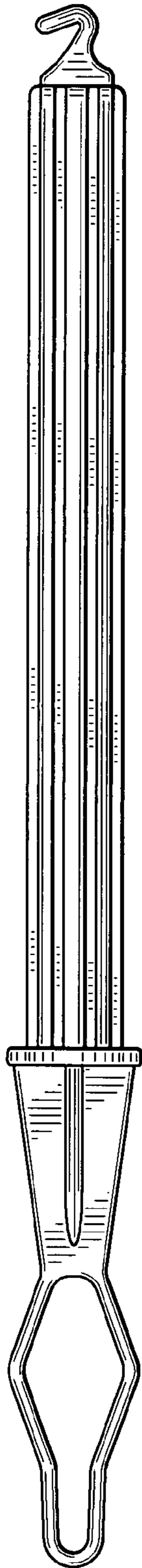


FIG. 9

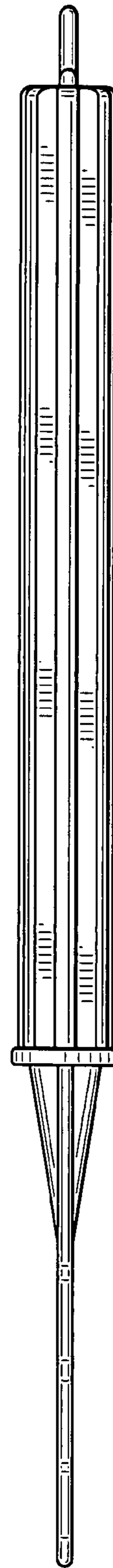


FIG. 10

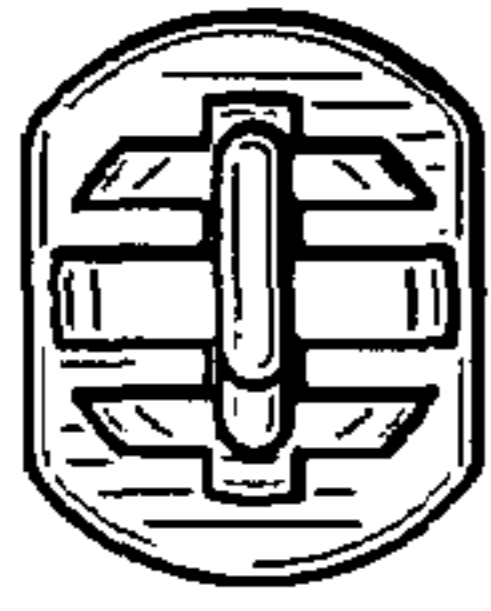


FIG. 11



FIG. 12



FIG. 13