



US00D553848S

(12) **United States Design Patent** (10) **Patent No.:** **US D553,848 S**
Barker et al. (45) **Date of Patent:** **** Oct. 30, 2007**

(54) **WALKING STAFF WITH TRIPOD BASE**

(57) **CLAIM**

(75) Inventors: **John Christopher Barker**, Oceanside, OR (US); **Patrick Arthur Kennedy**, Portland, OR (US)

The ornamental design for a walking staff with tripod base, as shown and described herein.

(73) Assignee: **Trek Technologies, LLC**, Lake Oswego, OR (US)

DESCRIPTION

(**) Term: **14 Years**

FIG. 1 is a top perspective view of a walking staff with tripod base, with the tripod in the extended position, in accordance with the present invention;

(21) Appl. No.: **29/255,658**

FIG. 2 is a bottom perspective view of the walking staff of FIG. 1 in accordance with the present invention;

(22) Filed: **Mar. 10, 2006**

FIG. 3 is a cross-sectional view taken along line 3—3 of FIG. 2;

(51) **LOC (8) Cl.** **03-03**

(52) **U.S. Cl.** **D3/9**

(58) **Field of Classification Search** D3/5-17;
135/65-68, 72, 73, 76, 77, 911, 75; D12/130,
D12/133, 105; D16/244; 248/155

FIG. 4 is a top front perspective view of the walking staff of FIG. 1, with the tripod in the retracted position, in accordance with the present invention;

See application file for complete search history.

FIG. 5 is a cross-sectional view taken along line 5—5 of FIG. 4;

(56) **References Cited**

U.S. PATENT DOCUMENTS

245,020	A *	8/1881	Rushforth	135/66
257,980	A *	5/1882	Rushforth	135/66
1,063,106	A *	5/1913	Bell	248/155
1,138,417	A *	5/1915	Rottenburg	248/155
1,319,397	A *	10/1919	Kelsey	248/155
D180,867	S *	8/1957	deGignac et al.	D3/9
D326,105	S *	5/1992	Doi	D16/244
D342,828	S *	1/1994	Steinbach et al.	D3/7
D448,152	S *	9/2001	Folise	D3/7
6,651,684	B2 *	11/2003	Spitzer	135/78
2005/0150532	A1 *	7/2005	Lin	135/75

FIG. 6 is a back side elevation view of the walking staff of FIG. 4;

FIG. 7 is a right side elevation view of the walking staff of FIG. 4;

FIG. 8 is a left side elevation view of the walking staff of FIG. 4.

* cited by examiner

FIG. 9 is a side elevation view of the walking staff of FIG. 1 with the shaft in the extended position and the tripod in the retracted position; and,

FIG. 10 is a side elevation view of the walking staff of FIG. 1 with the shaft in the extended position and the tripod in the extended position.

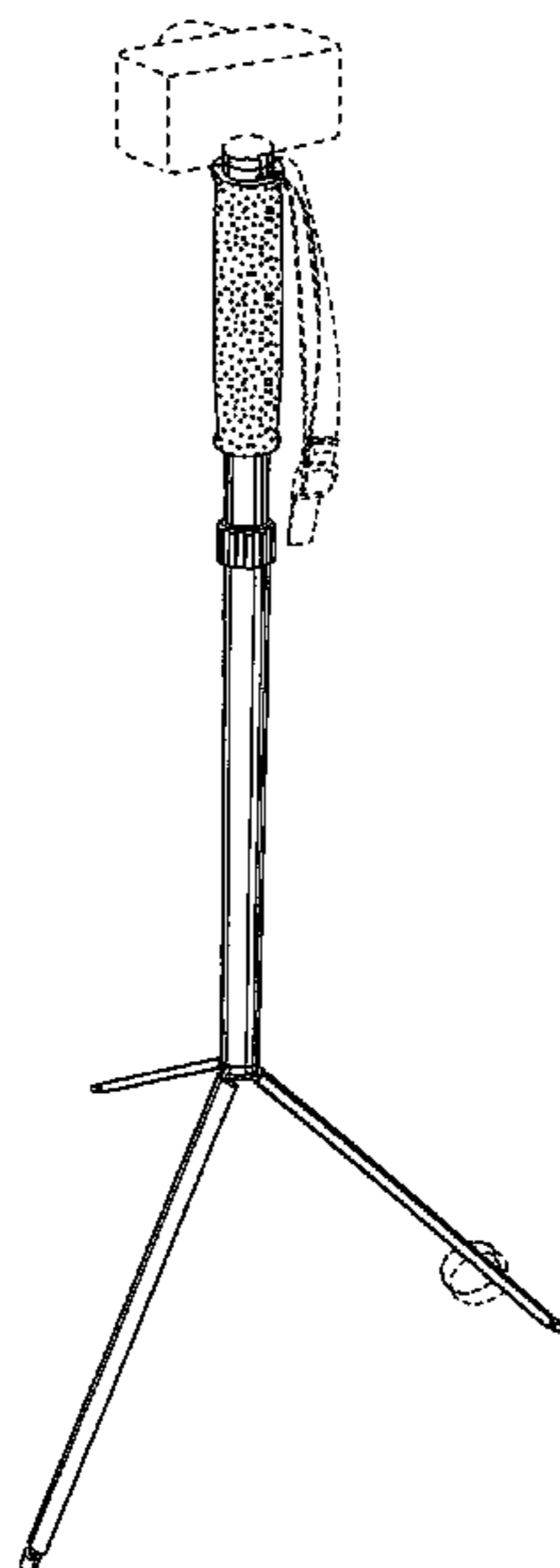
The broken line showing environment is for illustrative purposes only and forms no part of the claimed design.

Primary Examiner—Louis S. Zarfes

Assistant Examiner—Anhdao Doan

(74) *Attorney, Agent, or Firm*—Steven J. Adamson

1 Claim, 3 Drawing Sheets



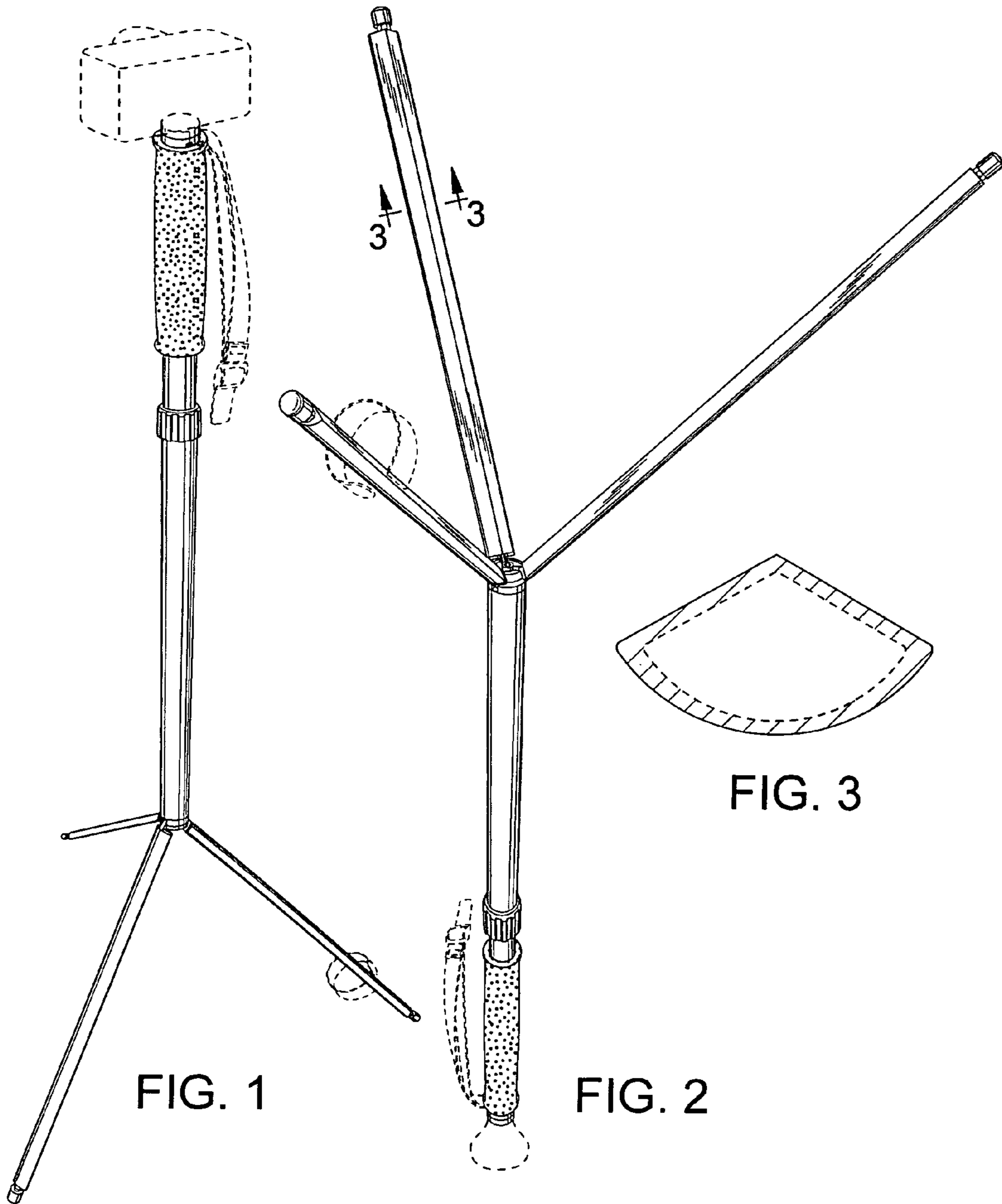


FIG. 1

FIG. 2

FIG. 3

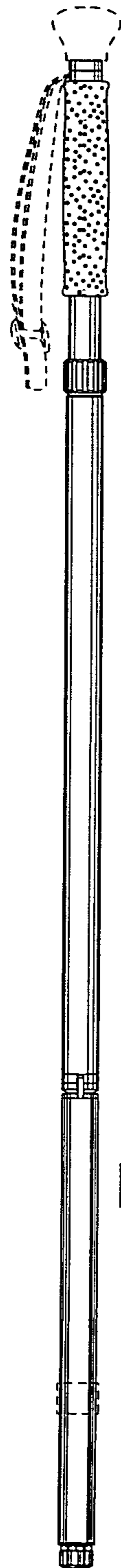
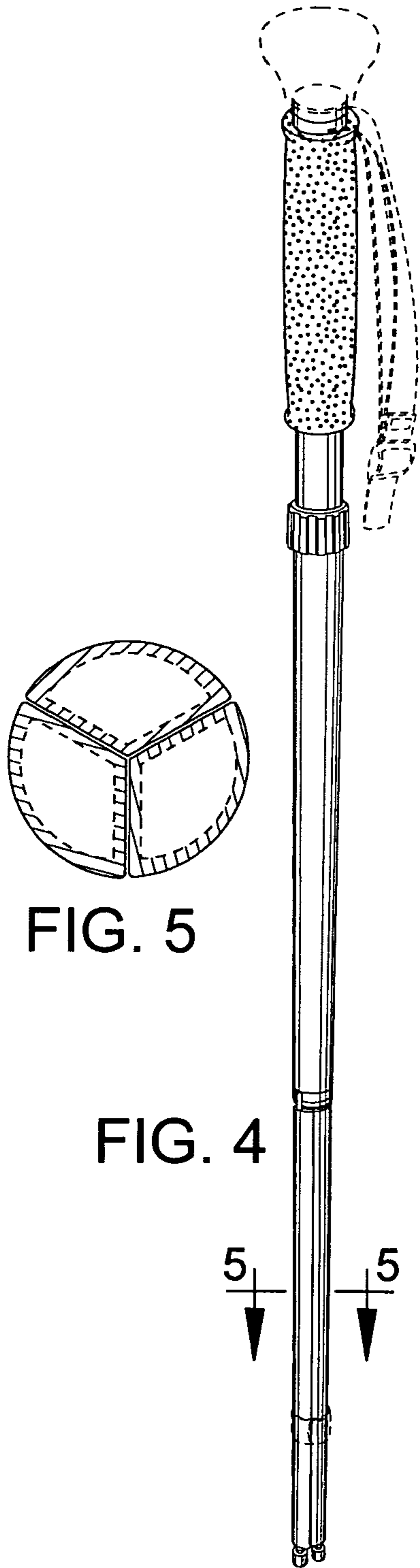


FIG. 6



FIG. 7

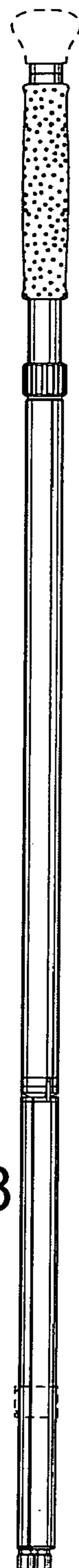


FIG. 8



FIG. 9

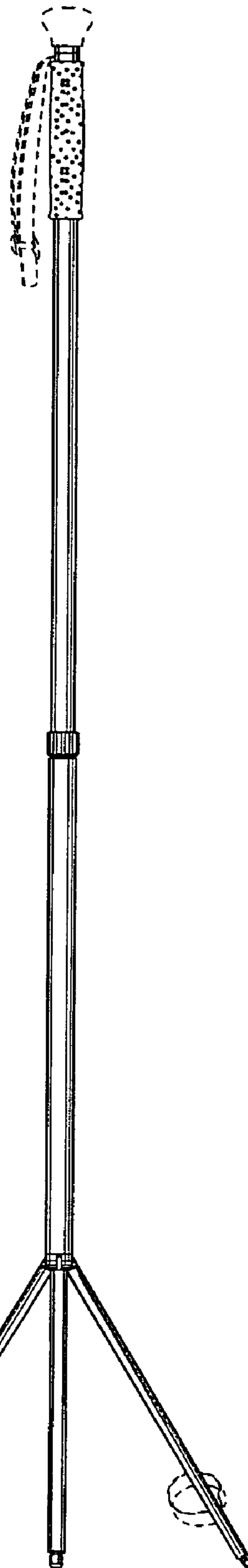


FIG. 10