



US00D553840S

(12) **United States Design Patent**
Weitzman

(10) **Patent No.:** **US D553,840 S**

(45) **Date of Patent:** **** Oct. 30, 2007**

(54) **WOMAN'S SHOE**

D544,683 S * 6/2007 Choi D2/971

(75) Inventor: **Stuart Weitzman**, Greenwich, CT (US)

OTHER PUBLICATIONS

(73) Assignee: **Stuart Weitzman IP, LLC**, Ft. Lauderdale, FL (US)

Ladies Shoe sold by Stuart Weitzman, LLC under the trademark GOTROCKS.

Ladies Shoe sold by Stuart Weitzman, LLC under the trademark TWEETY.

(**) Term: **14 Years**

Ladies Shoe sold by Stuart Weitzman, LLC under the trademark PARABOW.

(21) Appl. No.: **29/281,677**

Ladies Shoe sold by Stuart Weitzman, LLC under the trademark GREECE.

(22) Filed: **Jun. 28, 2007**

Ladies Shoe sold by Stuart Weitzman, LLC under the trademark SCANTY.

(51) **LOC (8) Cl.** **02-99**

Ladies Shoe sold by Stuart Weitzman, LLC under the trademark DELILAH.

(52) **U.S. Cl.** **D2/971**

Ladies Shoe sold by Stuart Weitzman, LLC under the trademark EIFFEL.

(58) **Field of Classification Search** D2/16-918,
D2/925-945; 36/1, 1.5, 11.5, 9 R
See application file for complete search history.

Ladies Shoe sold by Stuart Weitzman, LLC under the trademark CUBIES.

(56) **References Cited**

(Continued)

U.S. PATENT DOCUMENTS

Primary Examiner—Dominic Simone

D93,598 S	1/1934	Apt	
D92,000 S	4/1934	Heibrunn	
D92,149 S	5/1934	Miller	
1,964,705 A	6/1934	Pellkofer	
D93,597 S	10/1934	Apt	
D94,527 S	2/1935	Apt	
D95,690 S *	5/1935	Koomruian	D2/918
D95,776 S *	5/1935	Perugia	D2/918
D97,677 S	12/1935	Goldberg	
D97,788 S	12/1935	Starr	
D98,357 S	1/1936	Liberty	
D103,138 S *	2/1937	Weiner	D2/934
D141,114 S	5/1945	Gordon	
D166,025 S	9/1952	Braun	
D167,737 S	9/1952	Braun	
D169,717 S *	5/1953	White et al.	D2/916
D170,513 S *	9/1953	Simon	D2/932
D278,948 S *	5/1985	Foldes	D2/932
D304,126 S *	10/1989	Christian et al.	D2/916
RE35,452 E	2/1997	Sargeant	
D495,855 S	9/2004	Comeau	
D504,996 S	5/2005	Dal Magro et al.	
D513,846 S *	1/2006	Choi	D2/971
D534,713 S *	1/2007	Weitzman	D2/929
D544,192 S *	6/2007	Choi	D2/971

(74) *Attorney, Agent, or Firm*—Amster, Rothstein & Ebenstein, LLP

(57) **CLAIM**

The ornamental design for a woman's shoe, as shown and described.

DESCRIPTION

FIG. 1 is a perspective view of a woman's shoe showing my new design;

FIG. 2 is a left side view thereof;

FIG. 3 is a right side thereof;

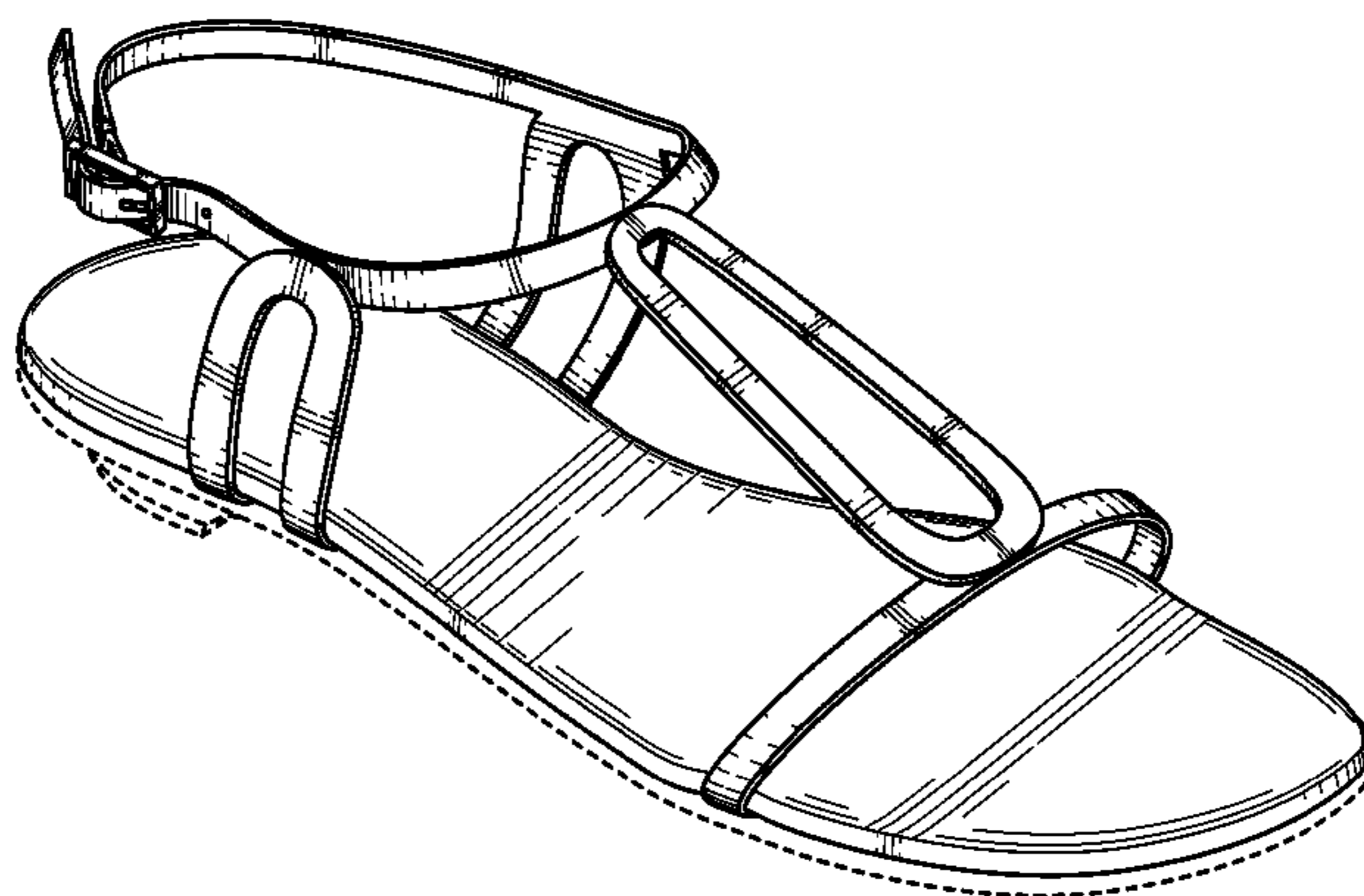
FIG. 4 is a front view thereof;

FIG. 5 is a rear view thereof; and,

FIG. 6 is a top plan view thereof.

The broken line showing of the remainder of the shoe is for illustrative purposes only and forms no part of the claimed design.

1 Claim, 6 Drawing Sheets



OTHER PUBLICATIONS

Ladies Shoe sold by Stuart Weitzman, LLC under the trademark CROSSDRESSER.

Ladies Shoe sold by Stuart Weitzman, LLC under the trademark SUBMIT.

Ladies Shoe sold by Stuart Weitzman, LLC under the trademark STONEAGE.

Ladies Shoe sold by Stuart Weitzman, LLC under the trademark ROLLOS.

Ladies Shoe sold by Stuart Weitzman, LLC under the trademark RIVIERA.

Ladies Shoe sold by Stuart Weitzman, LLC under the trademark POPSICLE.

Ladies Shoe sold by Stuart Weitzman, LLC under the trademark PARADISE.

Ladies Shoe sold by Stuart Weitzman, LLC under the trademark MATTY.

Ladies Shoe sold by Stuart Weitzman, LLC under the trademark LIFESAVERAS.

Ladies Shoe sold by Stuart Weitzman, LLC under the trademark JEWELTONES.

Ladies Shoe sold by Stuart Weitzman, LLC under the trademark HOMETOWN.

Ladies Shoe sold by Stuart Weitzman, LLC under the trademark GRIFFEN.

* cited by examiner

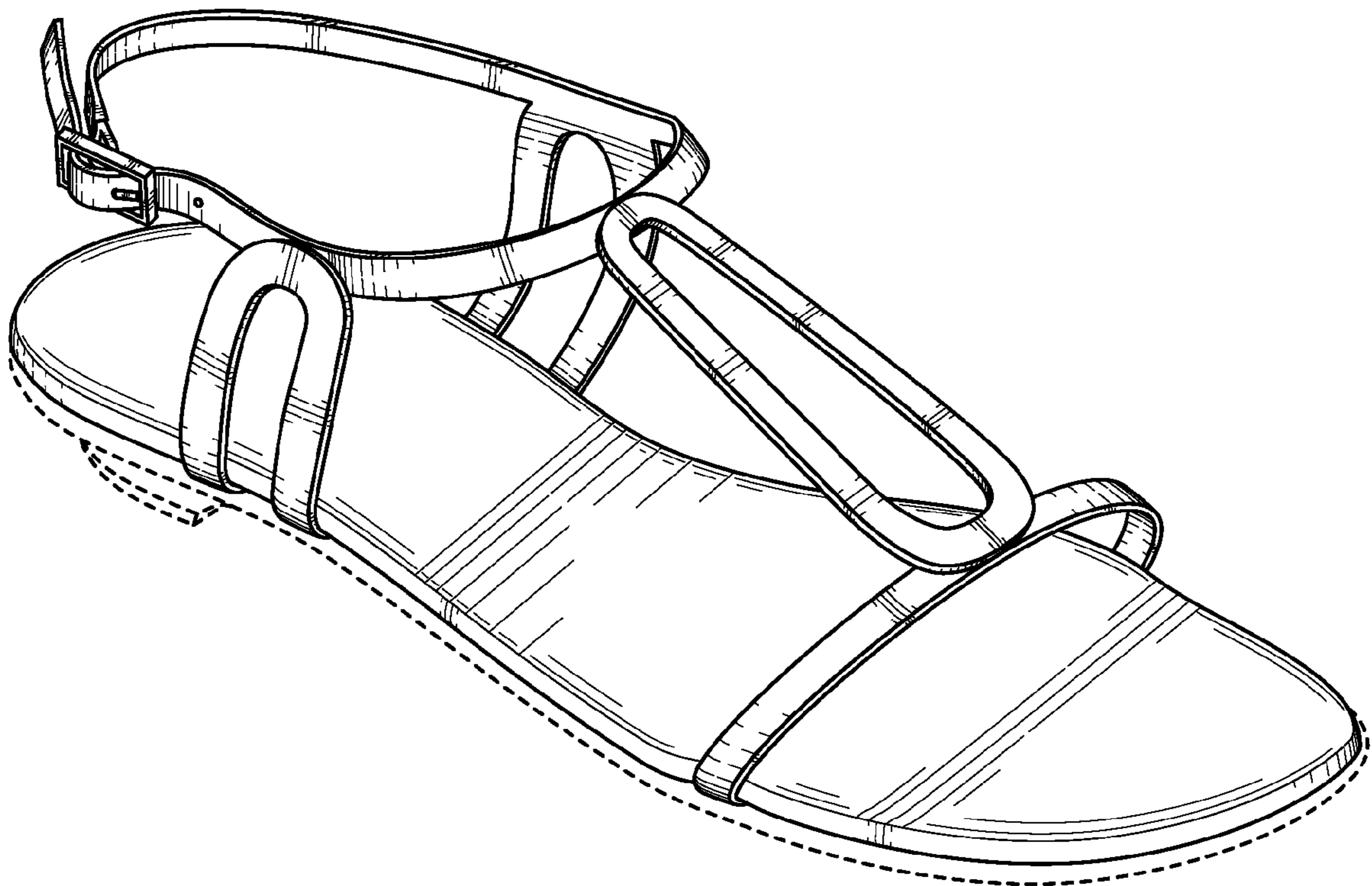


FIG. 1

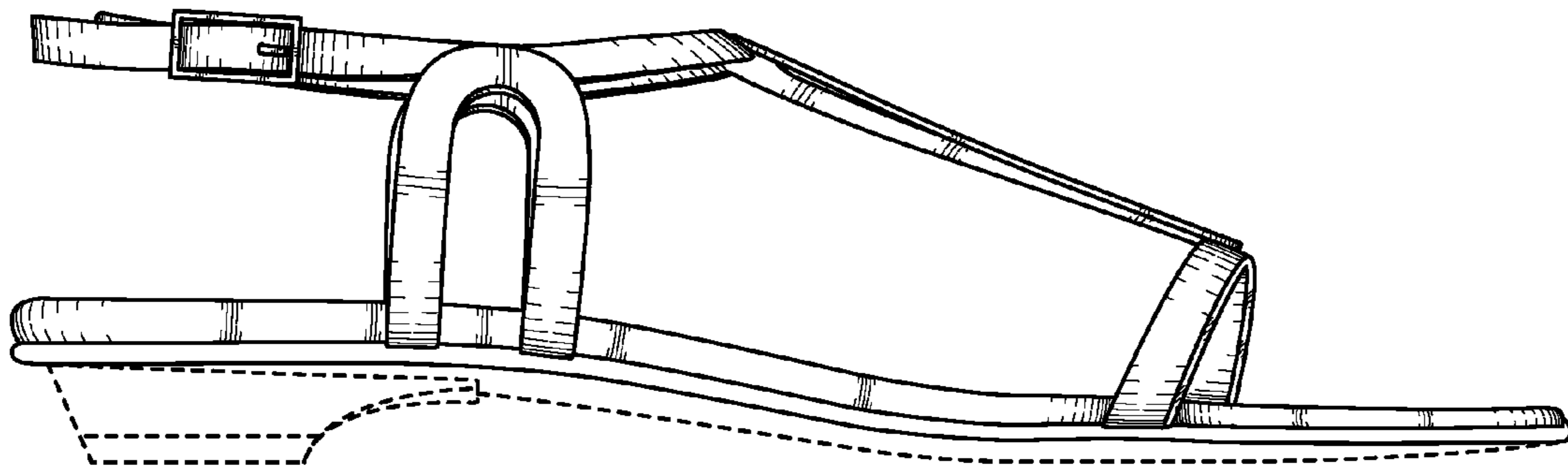


FIG. 2

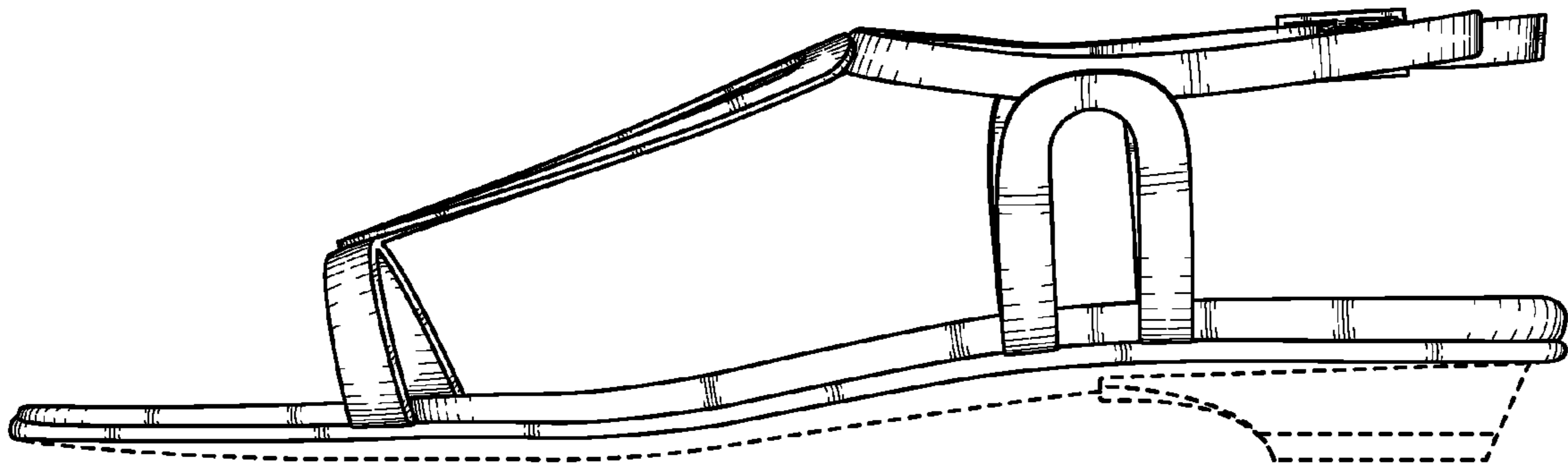


FIG. 3

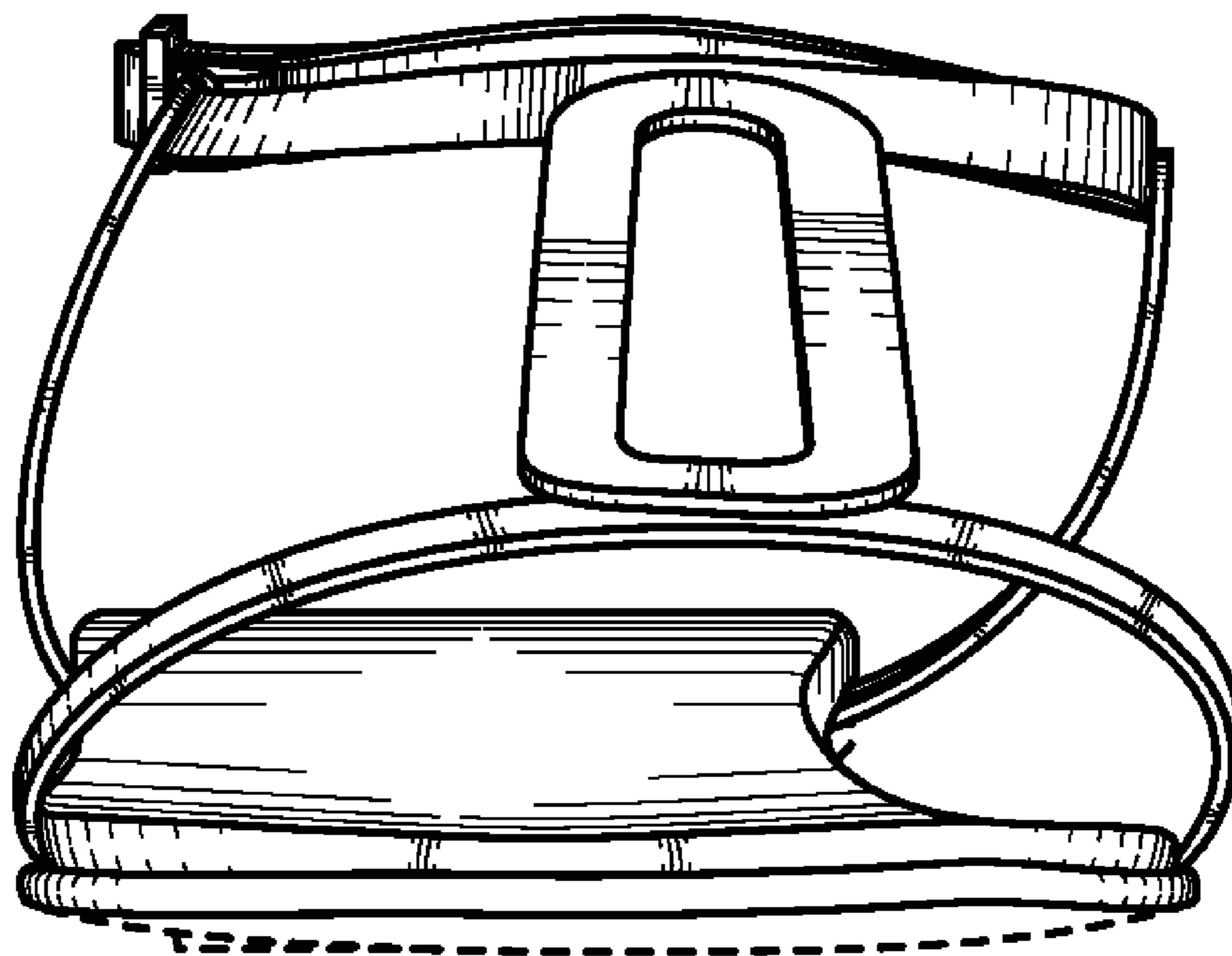


FIG. 4

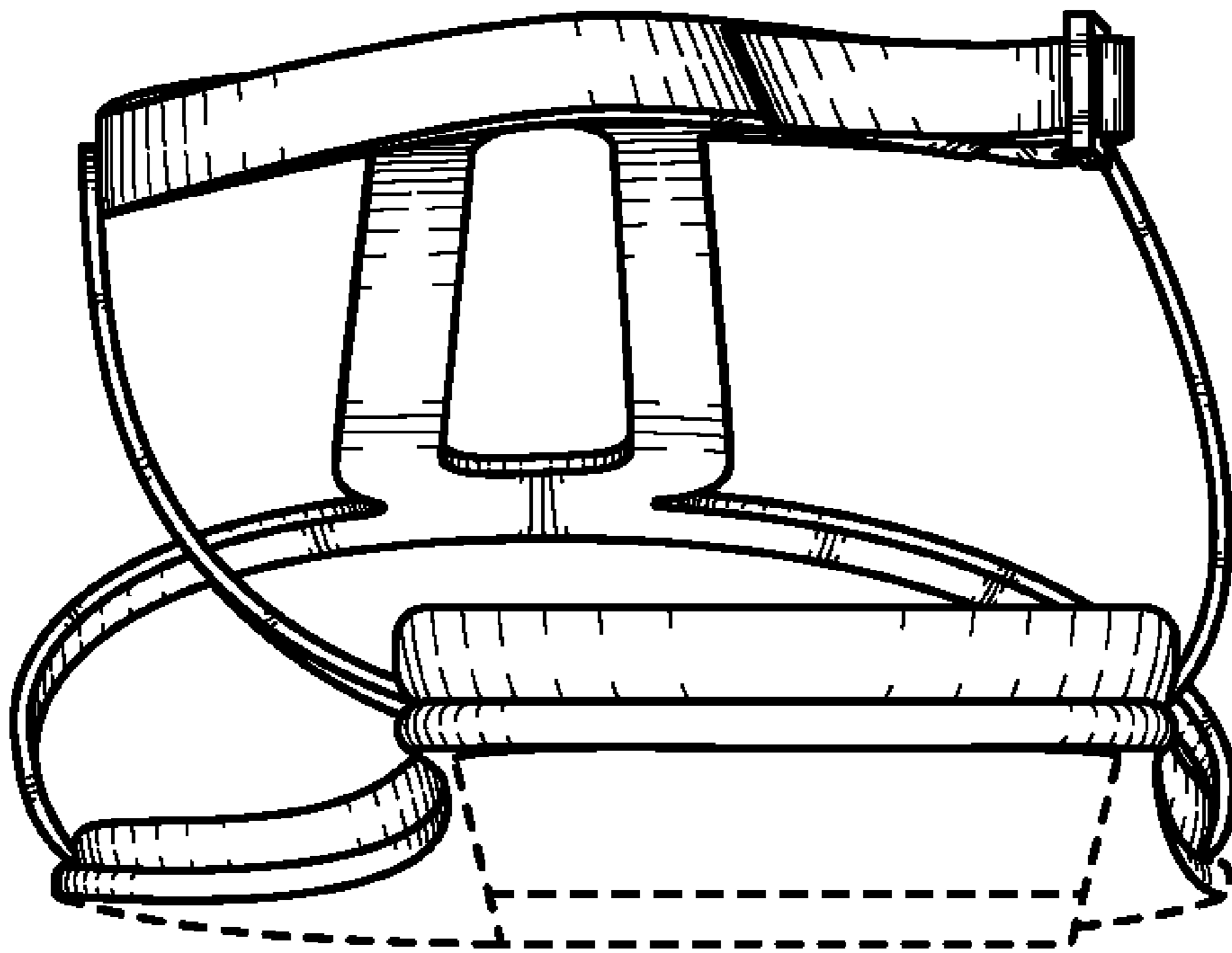


FIG. 5

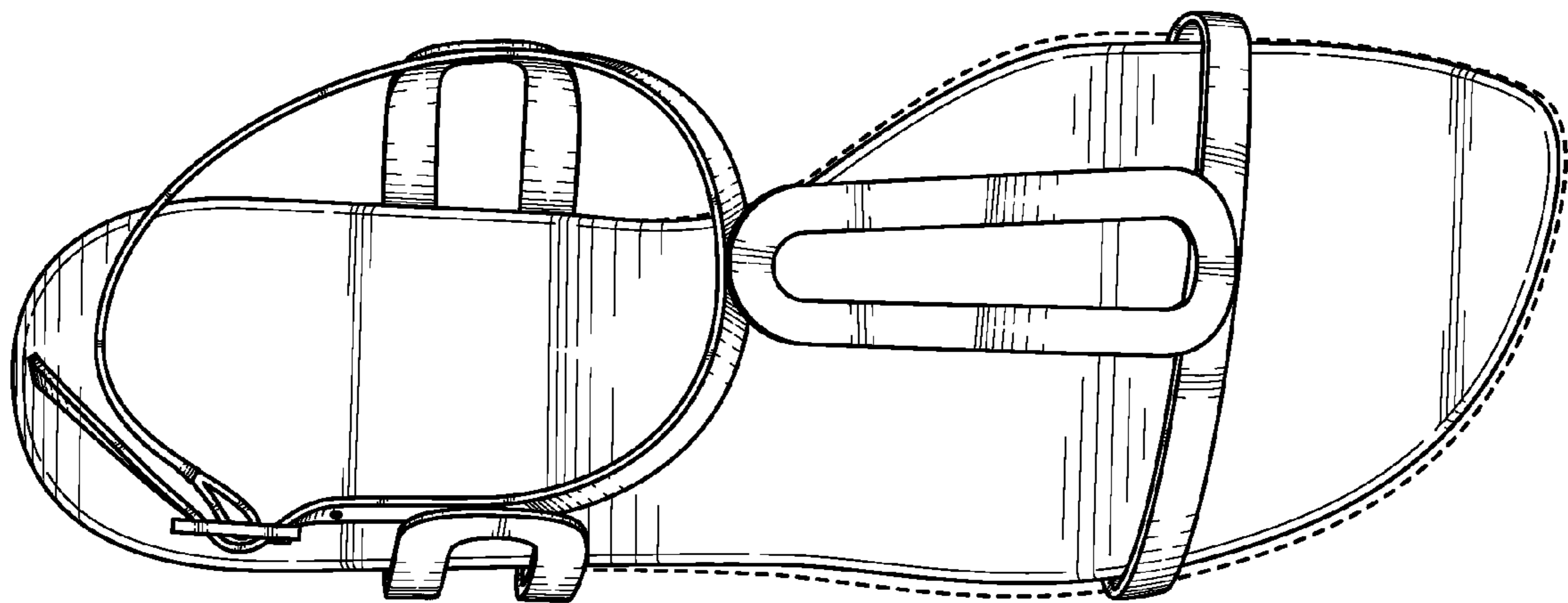


FIG. 6