



US00D553835S

(12) **United States Design Patent**
McClaskie

(10) **Patent No.:** **US D553,835 S**

(45) **Date of Patent:** **** Oct. 30, 2007**

(54) **OUTSOLE FOR A SHOE**
(75) Inventor: **Thomas E. McClaskie**, Bethlehem, PA
(US)
(73) Assignee: **Columbia Insurance Company**,
Omaha, NE (US)
(**) Term: **14 Years**

4,908,963 A 3/1990 Krajcir et al. 36/77
4,995,174 A 2/1991 Hong et al. 36/72
5,048,203 A 9/1991 Kling 36/32
5,185,944 A 2/1993 Okajima 36/45
5,191,727 A * 3/1993 Barry et al. 36/107
5,499,459 A 3/1996 Tomaro 36/10
5,526,584 A 6/1996 Bleimhofer et al. 36/10
5,738,937 A 4/1998 Baychar 428/316.6
D402,451 S * 12/1998 Wunsch D2/959
5,946,824 A * 9/1999 Tighe et al. 36/28

(21) Appl. No.: **29/256,587**

(Continued)

(22) Filed: **Mar. 22, 2006**

Primary Examiner—Celia A. Murphy
(74) *Attorney, Agent, or Firm*—St. Onge Steward Johnston
& Reens LLC

(51) **LOC (8) Cl.** **02-04**

(52) **U.S. Cl.** **D2/959; D2/953; D2/957**

(58) **Field of Classification Search** D2/902,
D2/906, 908, 947, 951–960; 36/3 B, 22 R,
36/24.5, 25 R, 28, 32 R, 67 A, 59 C, 103
See application file for complete search history.

(57) **CLAIM**

I claim the ornamental design for the outsole for a shoe, as shown and described in the drawings.

(56) **References Cited**

DESCRIPTION

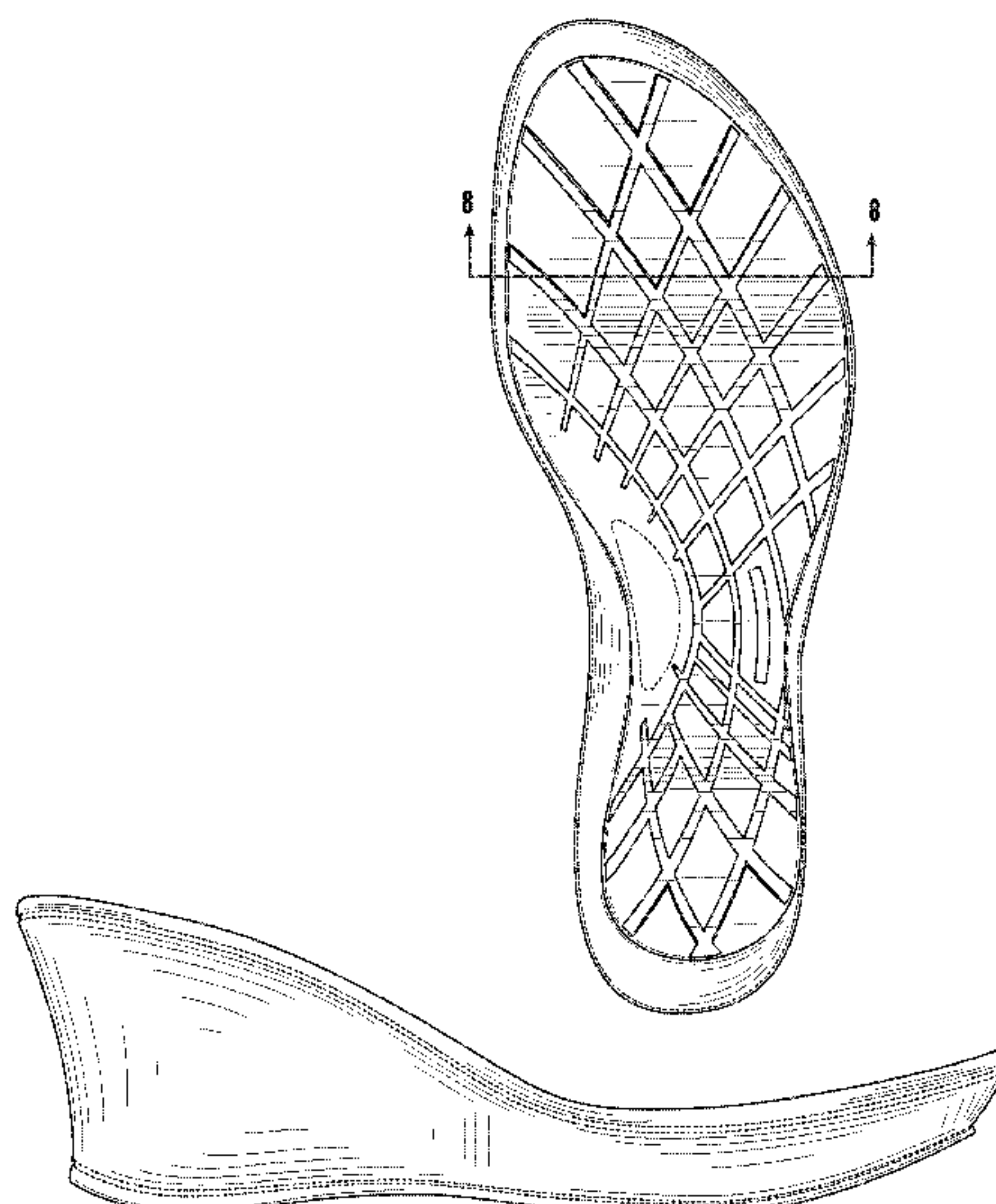
U.S. PATENT DOCUMENTS

D71,338 S *	10/1926	Oakley	D2/959
1,663,587 A *	3/1928	Dunbar	264/236
D90,463 S *	8/1933	Van Cleef	D2/949
1,936,729 A *	11/1933	Mebane	36/32 R
1,974,543 A	9/1934	Reymond	12/142
2,046,217 A	6/1936	Strauss	36/72
2,079,237 A	5/1937	Allard	36/72
2,160,768 A	5/1939	Wasser	36/72
D125,431 S *	2/1941	Starner	D2/959
2,344,069 A	3/1944	Wasser	36/72
3,091,871 A	6/1963	Tronche	36/72
3,175,310 A	3/1965	MacQuaid	36/72
3,175,311 A	3/1965	MacQuaid	36/72
3,191,321 A	6/1965	Brutting	36/2.5
3,213,551 A	10/1965	Krauss	36/2.5
3,407,518 A	10/1968	MacQuaid et al.	36/72
3,525,165 A	8/1970	Randall, Jr.	36/2.5
3,561,142 A	2/1971	Streit, Sr. et al.	36/72
4,231,170 A	11/1980	Griswold	36/72
4,366,629 A	1/1983	Scherz	36/4
4,562,652 A	1/1986	Hensler	36/102

FIG. 1 is a bottom perspective view of an outsole for a shoe showing my new design;
FIG. 2 is a bottom view thereof;
FIG. 3 is a left side view thereof;
FIG. 4 is a right side view thereof;
FIG. 5 is a front view thereof;
FIG. 6 is a rear view thereof; and
FIG. 7 is a close up perspective view of the area indicated as 7 shown in FIG. 1; and,
FIG. 8 is a cross sectional view taken along line 8—8 indicated in FIG. 2.

The broken line showing a half-moon shape in the arch area of FIGS. 1 & 2, along with the parallel broken lines around the peripheries of FIGS. 2–7, represent the boundaries of the design; with neither the lines themselves, nor the areas within them forming any part of the claim.

1 Claim, 6 Drawing Sheets



US D553,835 S

Page 2

U.S. PATENT DOCUMENTS

D427,758 S *	7/2000	Schneider	D2/959	D499,239 S *	12/2004	Burg et al.	D2/959
6,131,310 A *	10/2000	Fang	36/28	D500,401 S *	1/2005	Matis et al.	D2/959
D433,558 S *	11/2000	Matis et al.	D2/959	D507,401 S *	7/2005	Sedlbauer	D2/959
D437,106 S *	2/2001	Cagner	D2/952	D509,346 S *	9/2005	Recchi	D2/959
D441,176 S *	5/2001	Dean	D2/959	7,143,529 B2 *	12/2006	Robinson et al.	36/127
6,574,889 B2 *	6/2003	Cagner	36/102	2005/0262739 A1 *	12/2005	McDonald et al.	36/102
6,708,426 B2 *	3/2004	Erickson et al.	36/127	2005/0268491 A1 *	12/2005	McDonald et al.	36/28
D496,779 S *	10/2004	Belley et al.	D2/960	2007/0101617 A1 *	5/2007	Brewer et al.	36/103
D498,351 S *	11/2004	Morgan	D2/959					

* cited by examiner

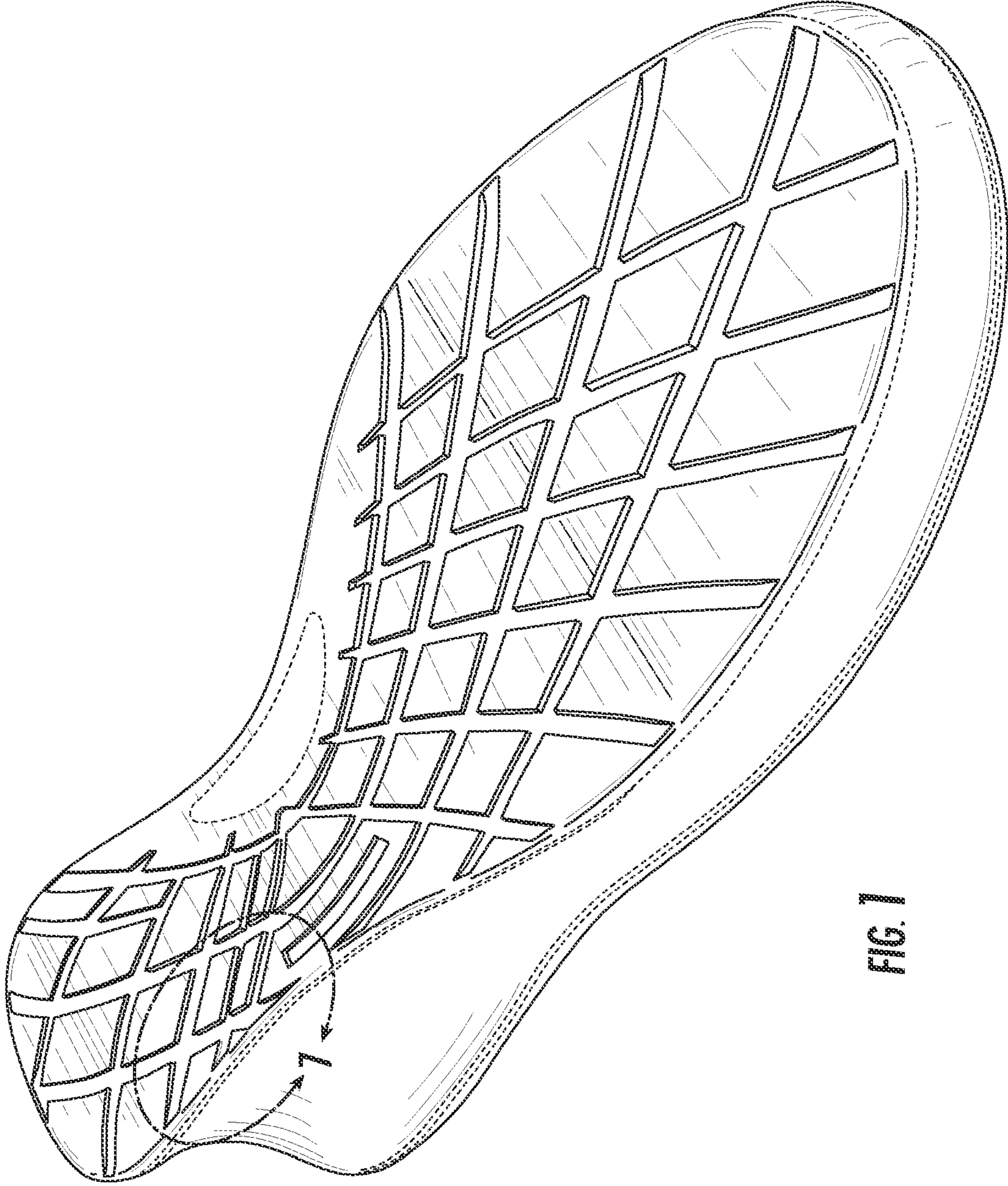


FIG. 1

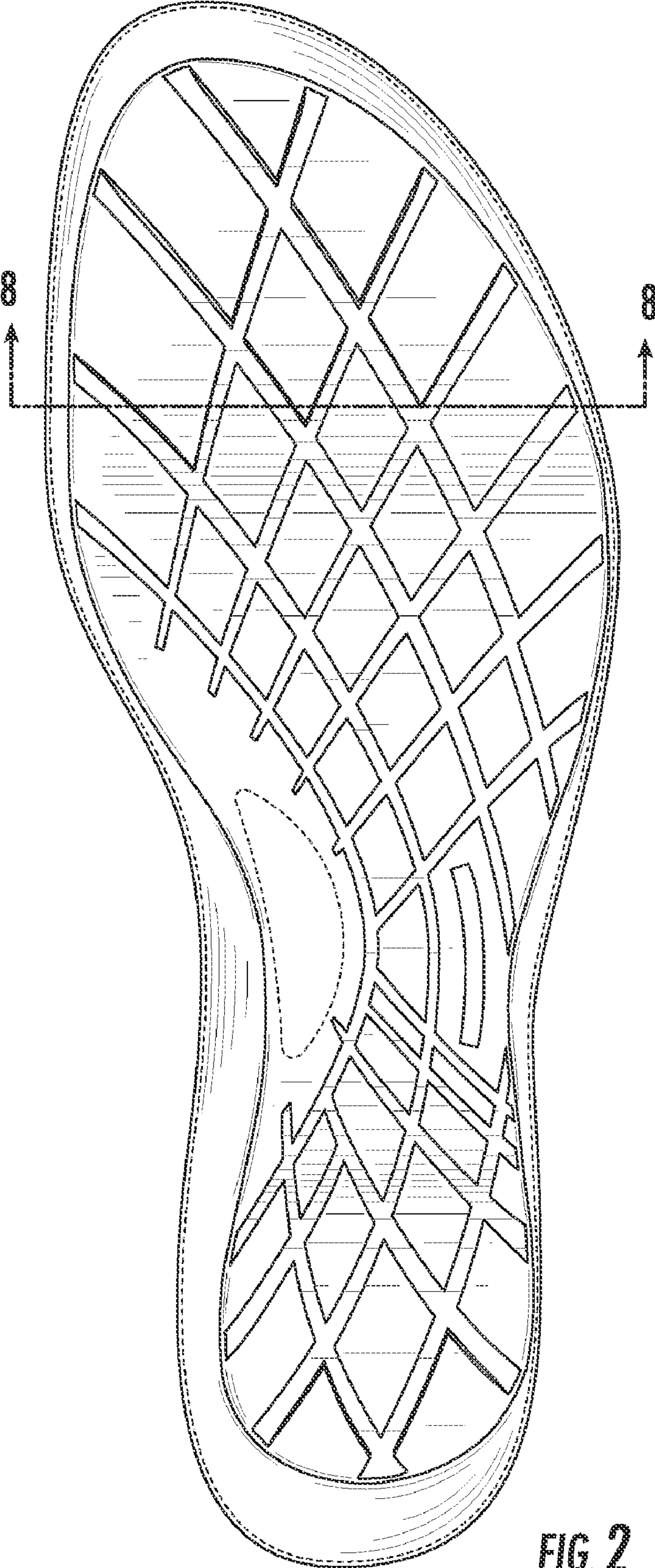


FIG. 2

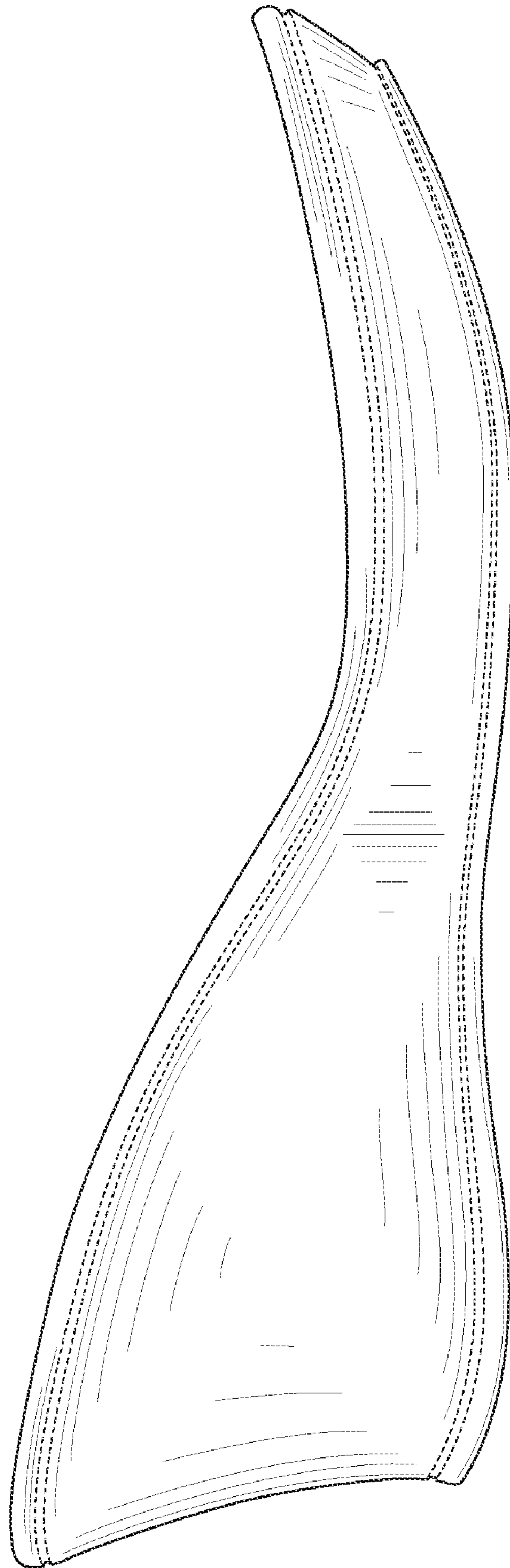


FIG. 3

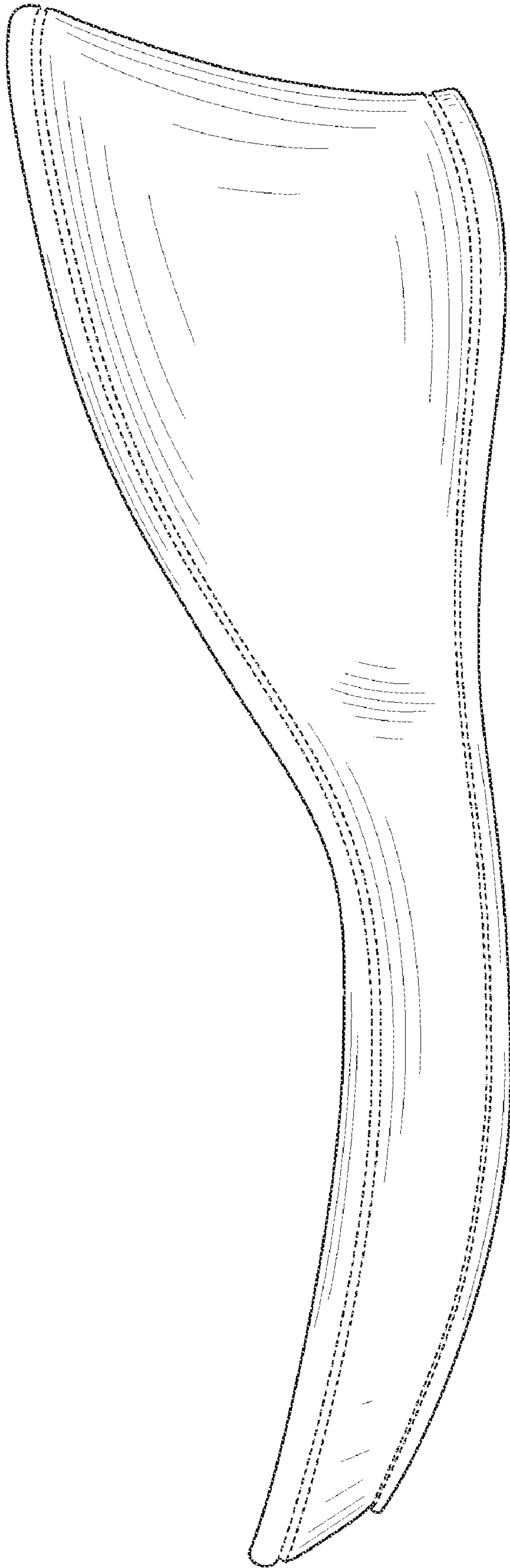


FIG. 4

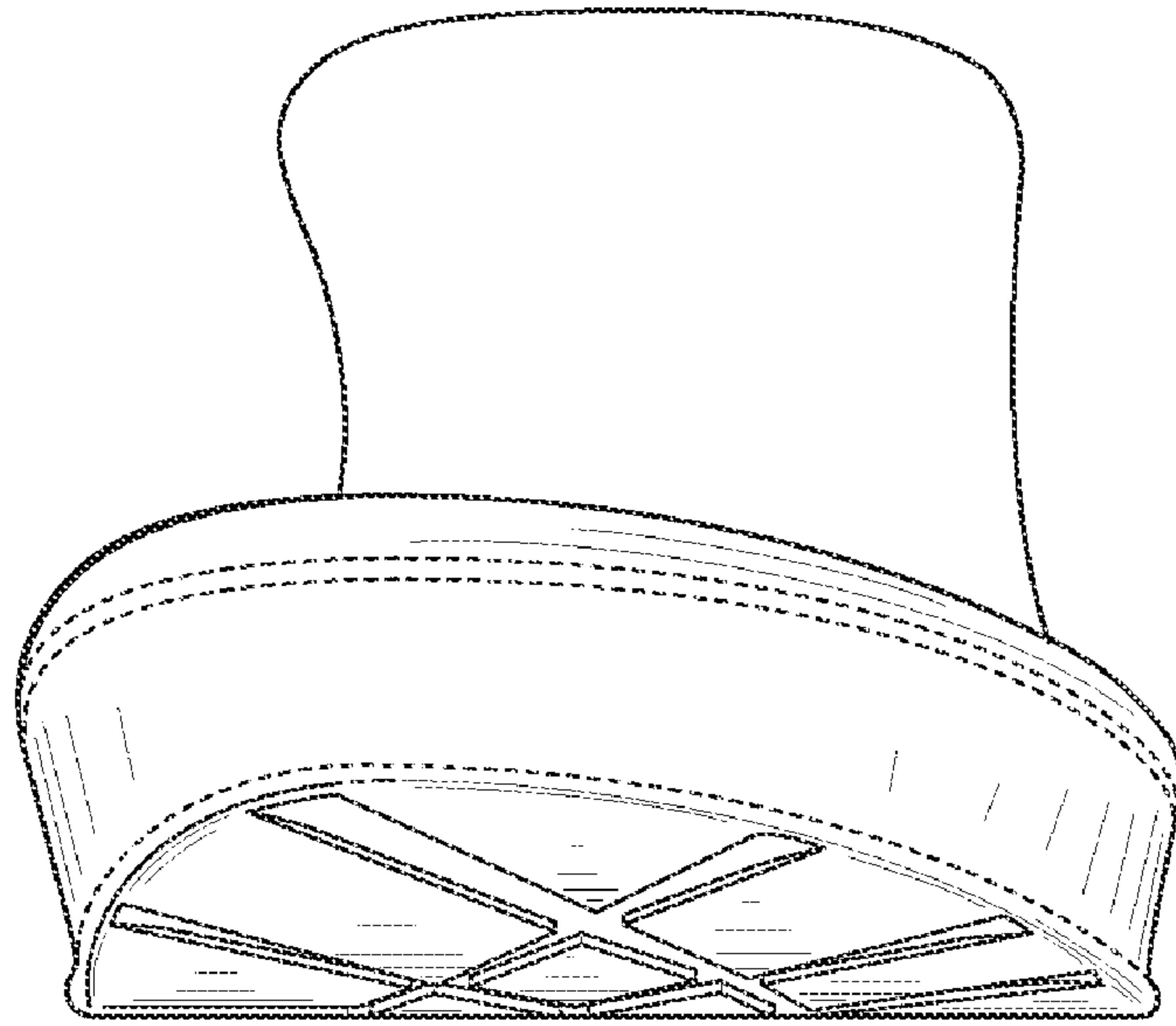


FIG. 5

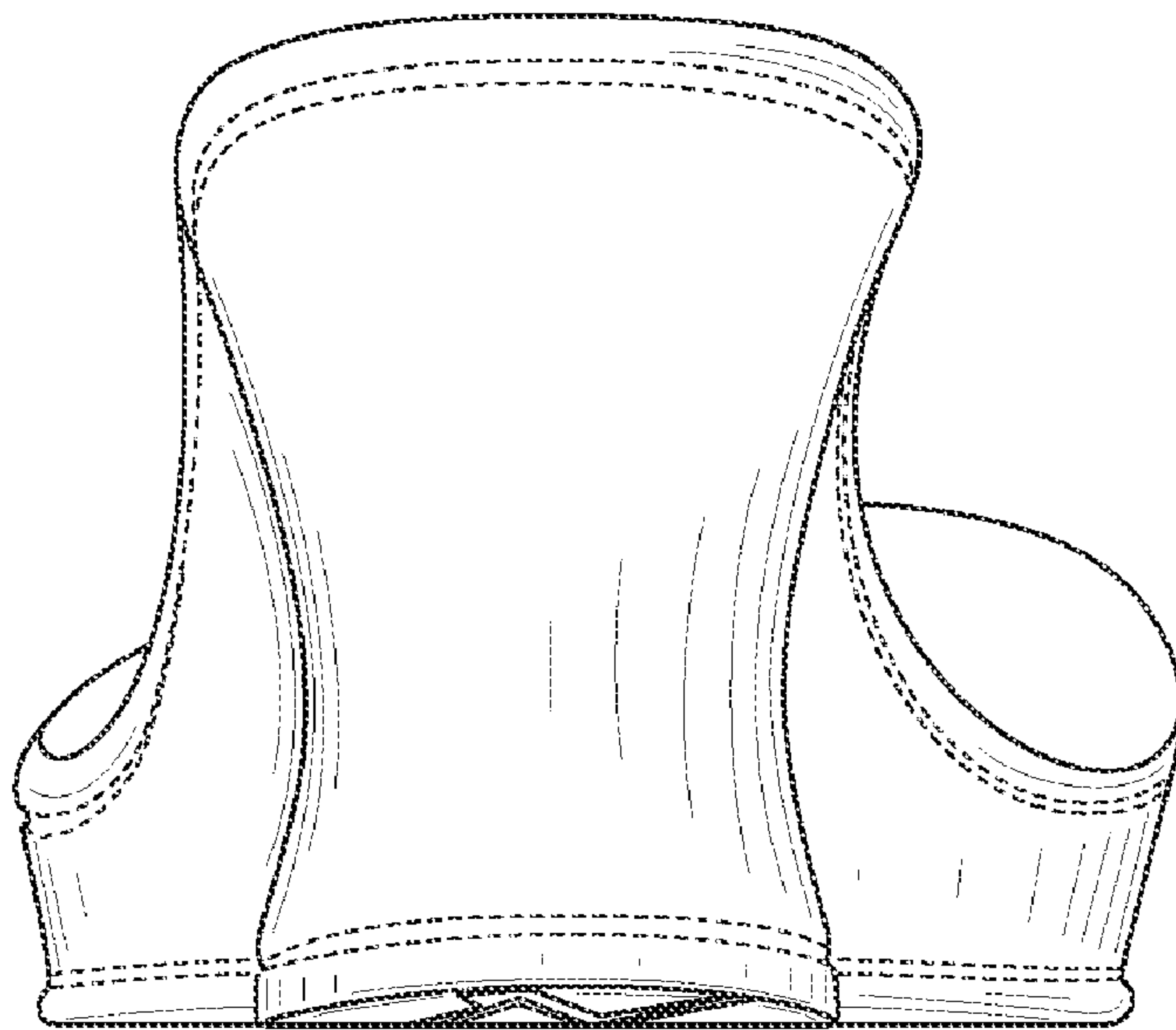


FIG. 6

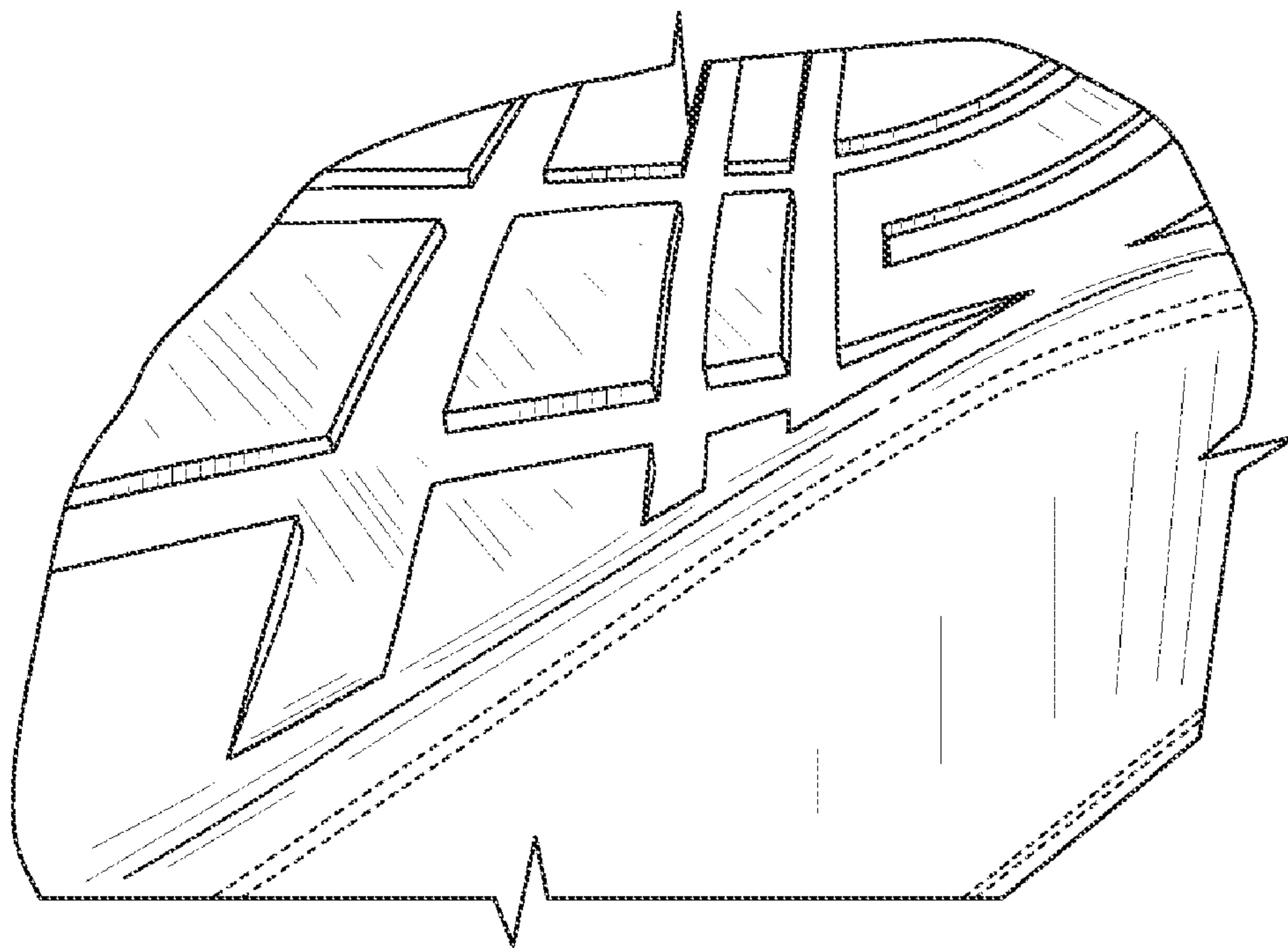


FIG. 7

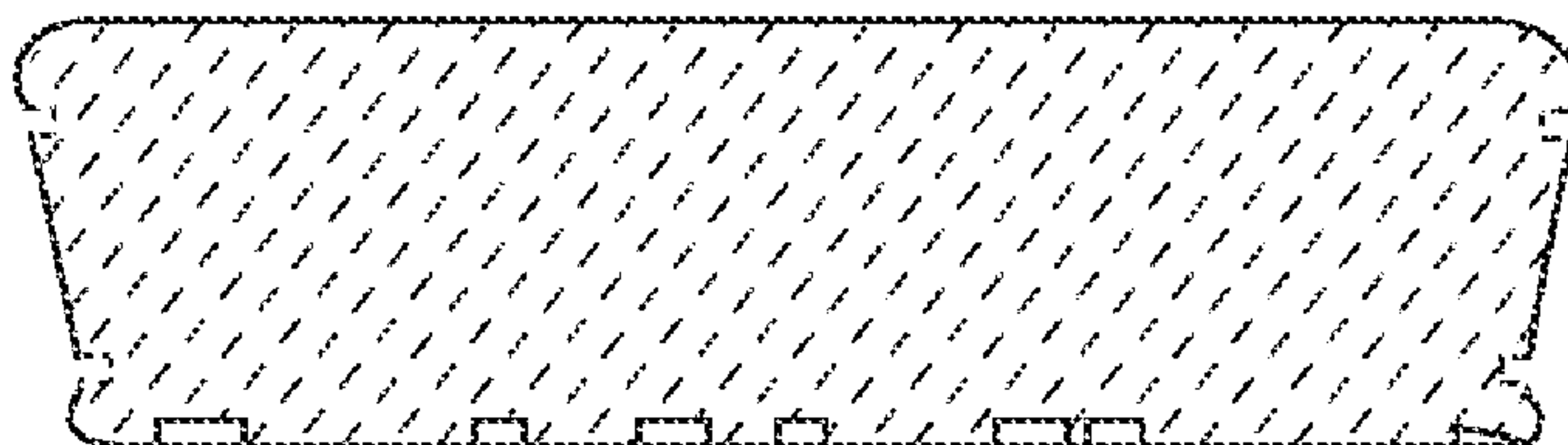


FIG. 8