



US00D553825S

(12) **United States Design Patent**
Shani et al.

(10) **Patent No.:** **US D553,825 S**

(45) **Date of Patent:** **** Oct. 23, 2007**

(54) **CEILING LIFT**

(75) Inventors: **Mikel Shani**, Mississauga (CA); **Mark P. Chepurny**, Bradford (CA)

(73) Assignee: **Waverly Glen Systems Ltd.**, Concord, Ontario

(**) Term: **14 Years**

(21) Appl. No.: **29/257,185**

(22) Filed: **Mar. 30, 2006**

(51) **LOC (8) Cl.** **12-05**

(52) **U.S. Cl.** **D34/33**

(58) **Field of Classification Search** D34/28,
D34/35, 33; D25/62; 182/142, 149; 5/83.1,
5/85.1; 212/328

See application file for complete search history.

(56) **References Cited**

U.S. PATENT DOCUMENTS

3,491,851	A *	1/1970	Dutcher	182/36
D219,298	S *	11/1970	Eyck	D34/33
3,791,627	A *	2/1974	Stone et al.	254/331
3,871,480	A *	3/1975	Sauri	182/100
4,900,203	A *	2/1990	Pope	410/36
5,809,591	A	9/1998	Capaldi et al.		
D408,608	S *	4/1999	Brown	D34/33
6,085,368	A	7/2000	Robert et al.		

D438,684	S *	3/2001	Hernandez	D34/33
6,523,195	B1 *	2/2003	Rodier et al.	5/83.1
D524,508	S *	7/2006	Lichtenvort	D34/33
2005/0115914	A1	6/2005	Chepurny et al.		

* cited by examiner

Primary Examiner—Cynthia E. Ramirez

(74) *Attorney, Agent, or Firm*—Calfee, Halter & Griswold, LLP

(57) **CLAIM**

The ornamental design for a ceiling lift, as shown and described.

DESCRIPTION

FIG. 1 is a front view of one embodiment of the ceiling lift showing the new design;

FIG. 2 is a right side view of the ceiling lift of FIG. 1;

FIG. 3 is a rear view of the ceiling lift of FIG. 1;

FIG. 4 is a left side view of the ceiling lift of FIG. 1;

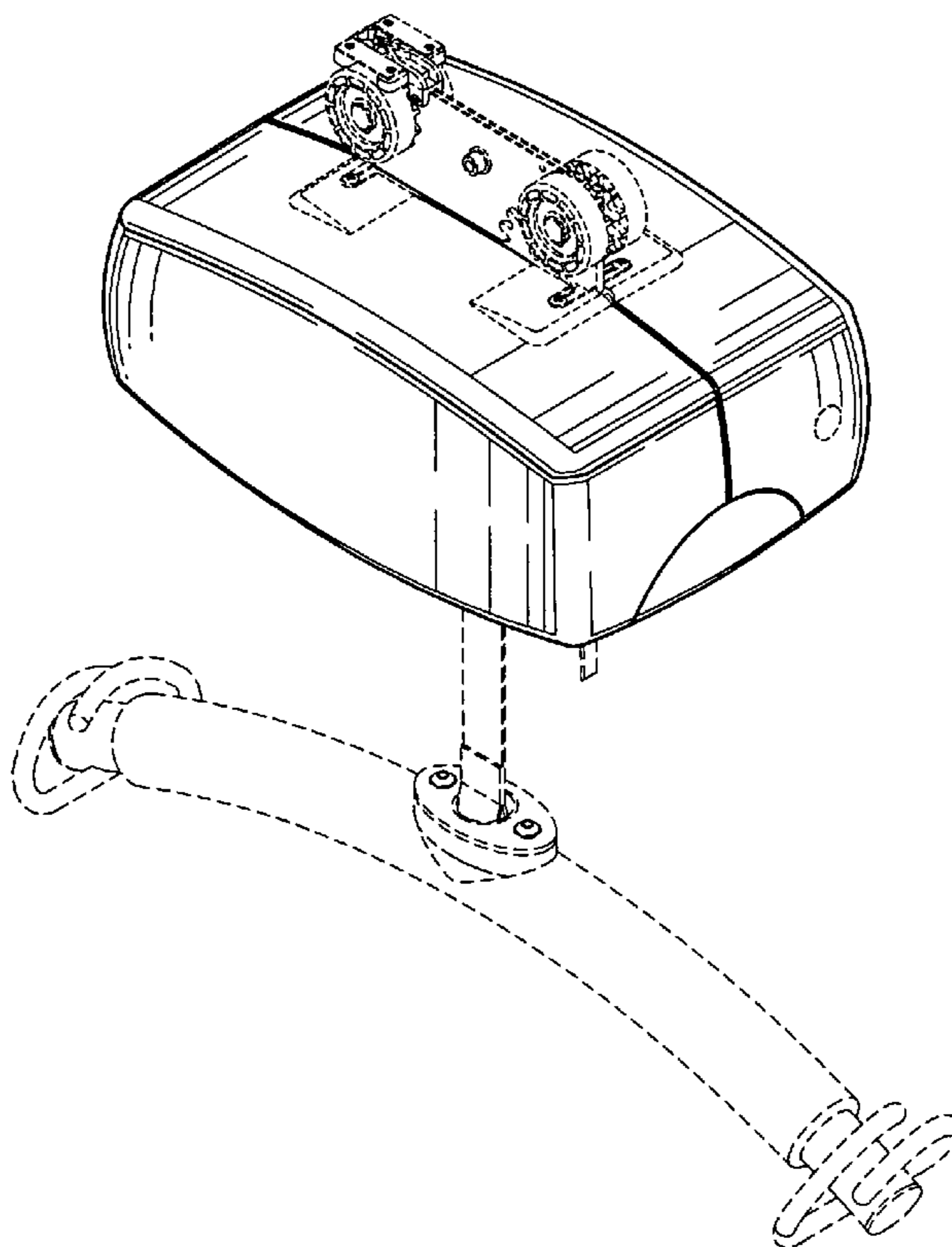
FIG. 5 is a top view of the ceiling lift of FIG. 1;

FIG. 6 is a bottom view of the ceiling lift of FIG. 1; and,

FIG. 7 is a perspective view of the ceiling lift of FIG. 1.

The portions of the Figures shown in broken lines are not part of the claimed design but are for illustration only.

1 Claim, 4 Drawing Sheets



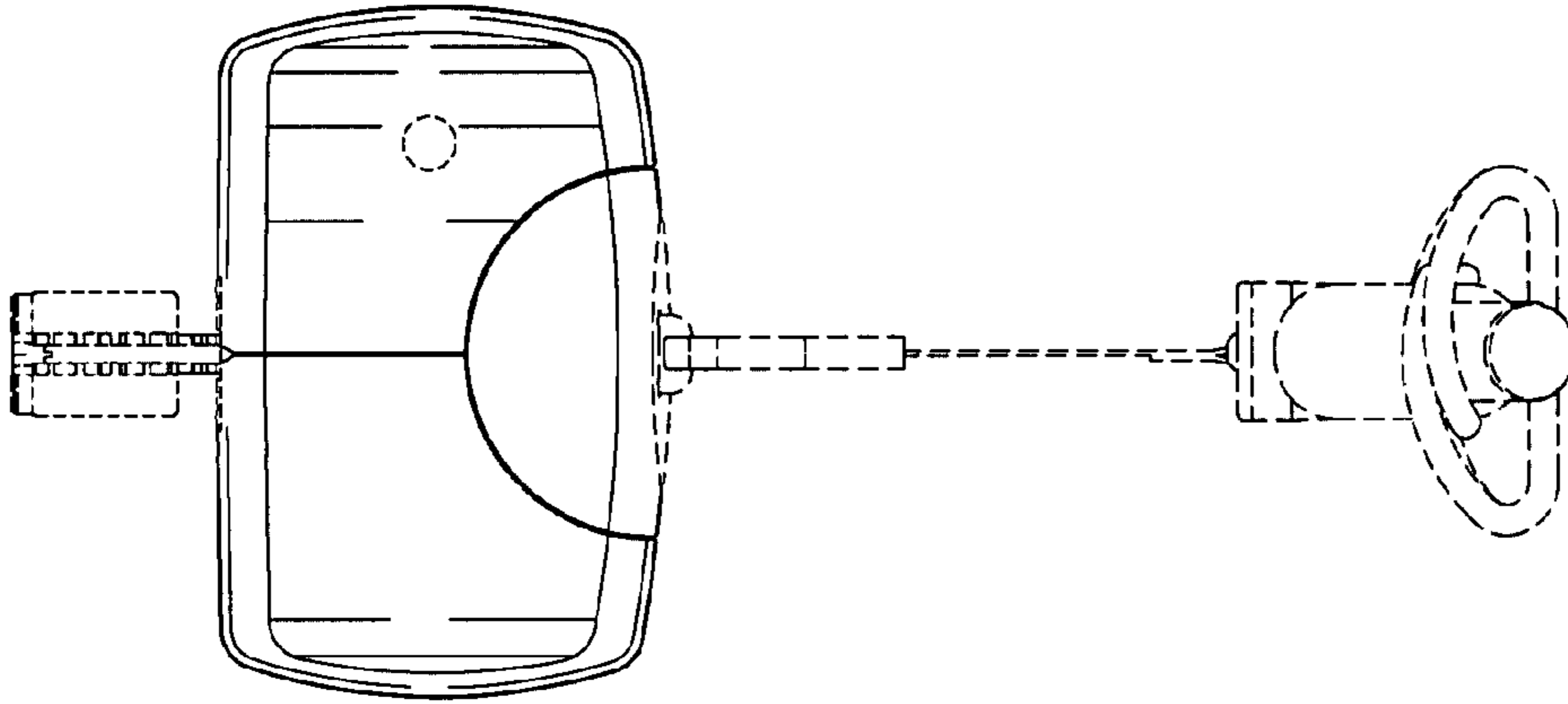


FIG. 2

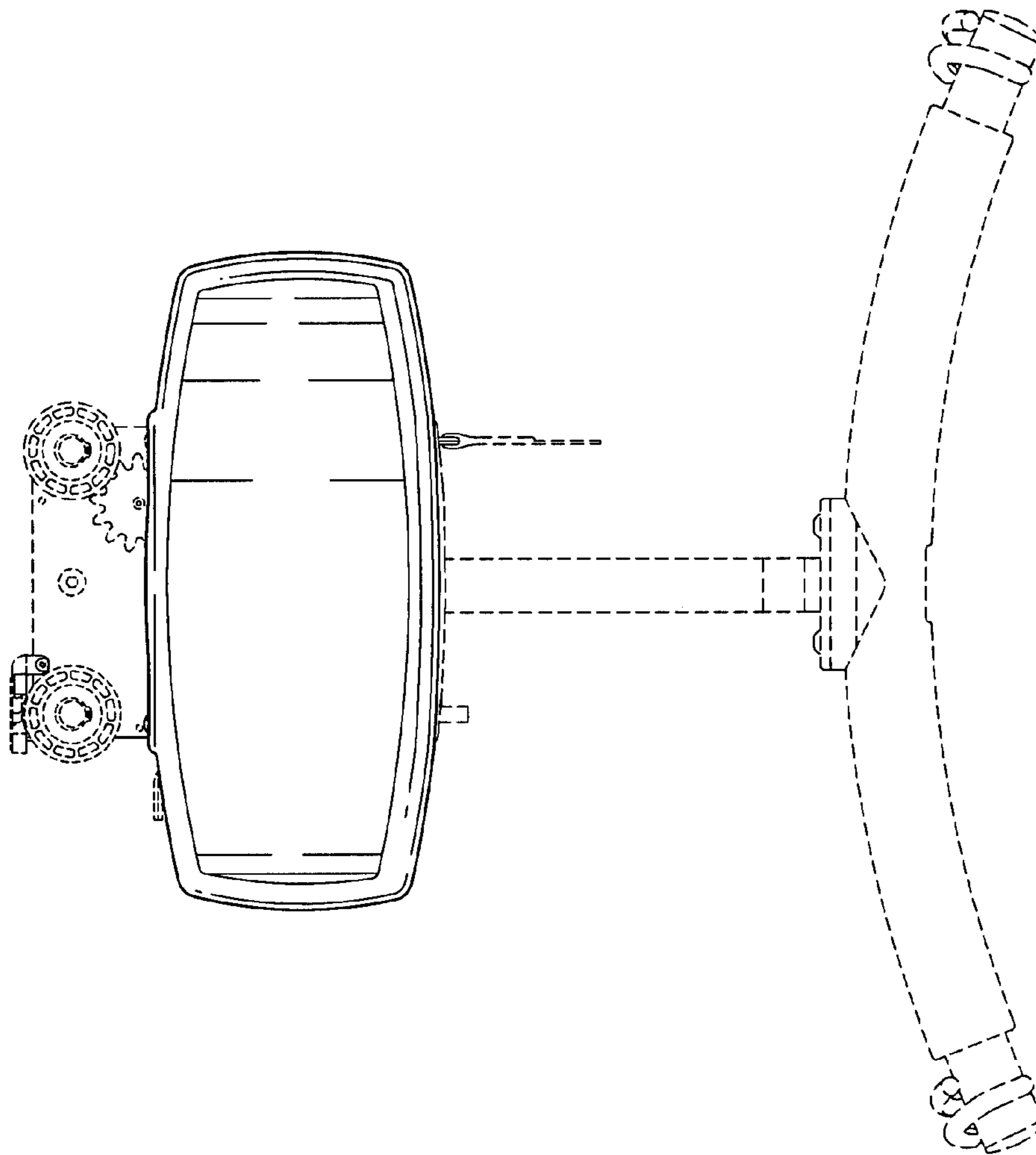


FIG. 1

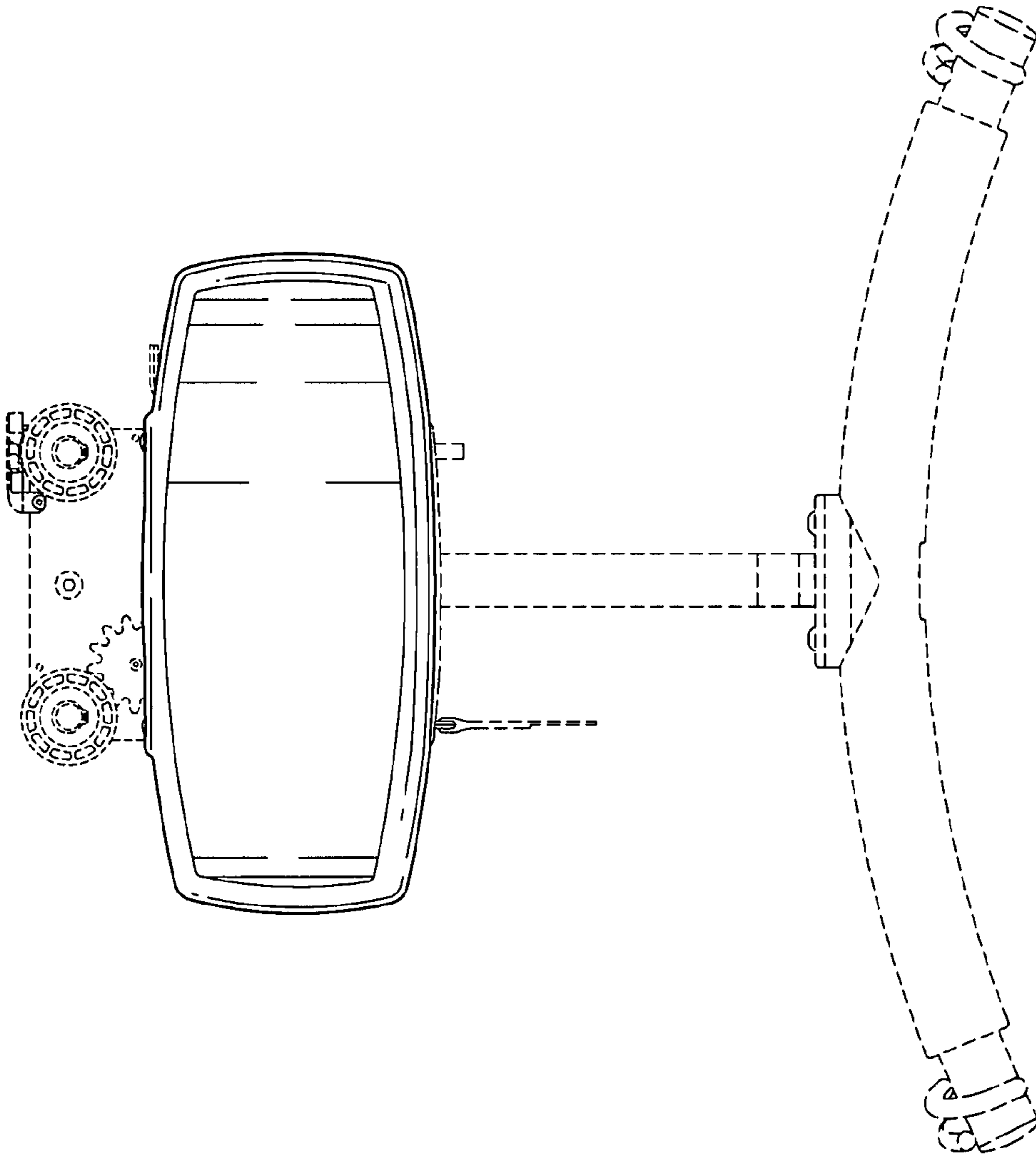


FIG. 3

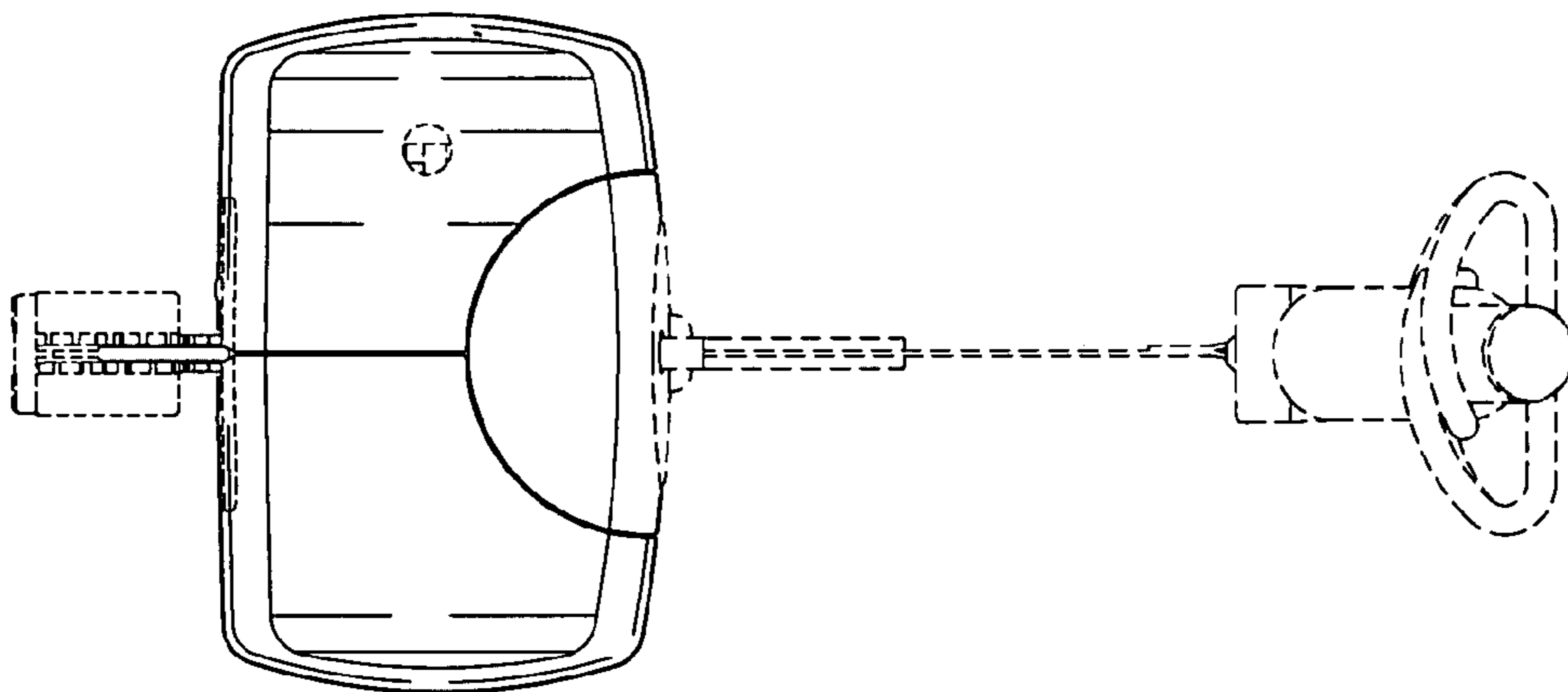


FIG. 4

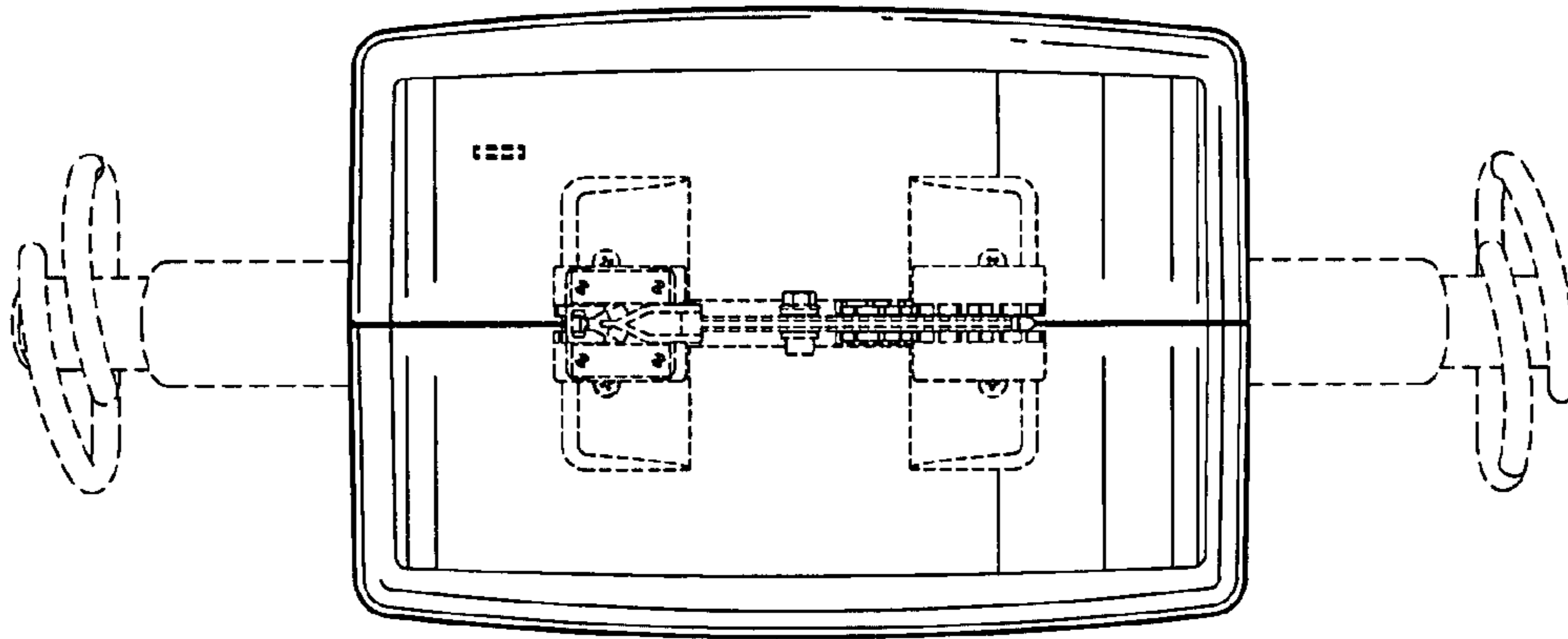


FIG. 5

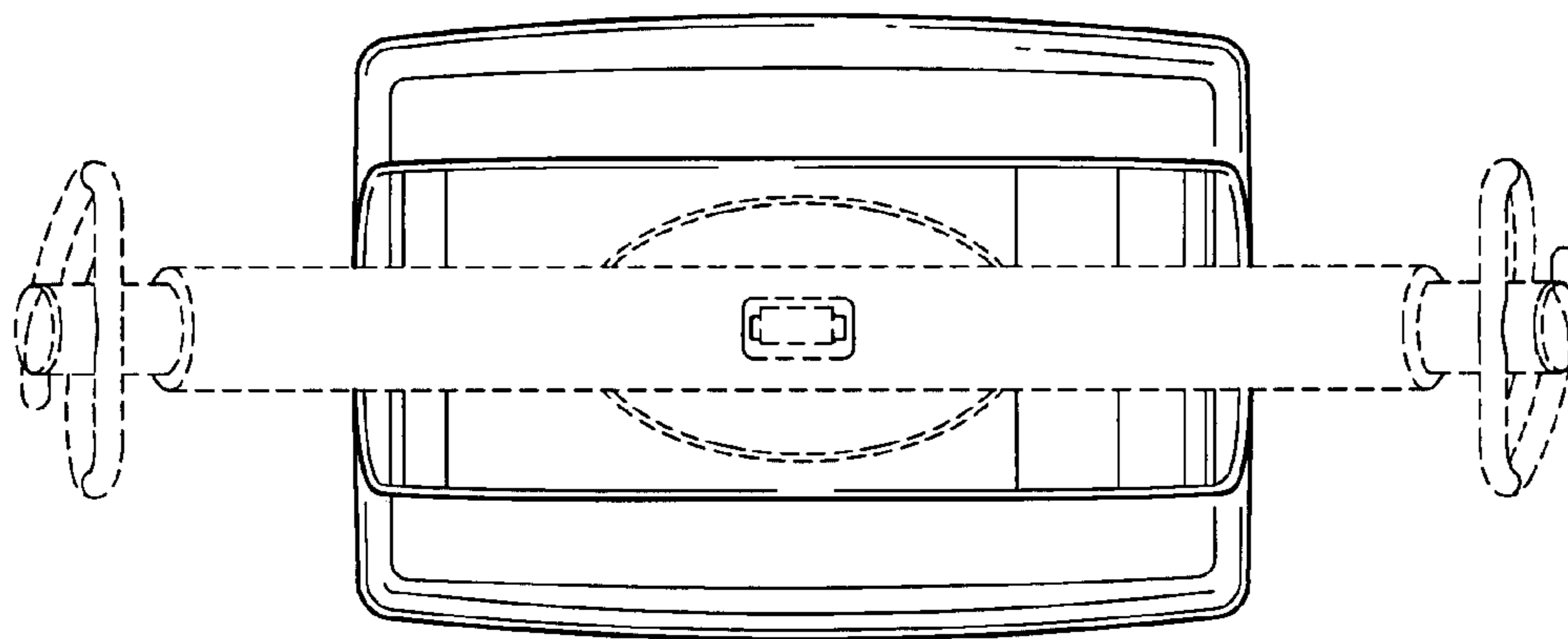


FIG. 6

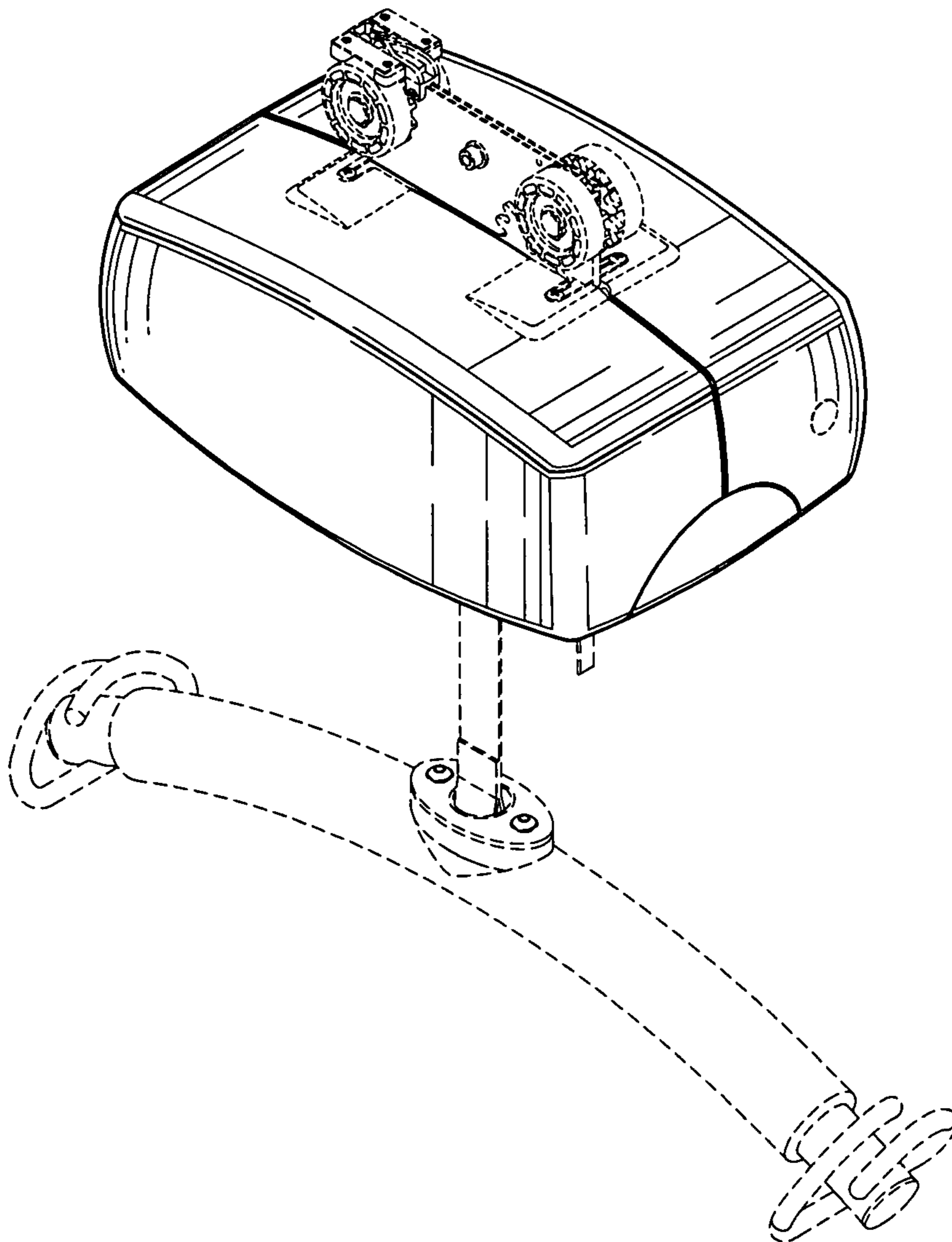


FIG. 7