



US00D553824S

(12) **United States Design Patent**
Rijksen

(10) **Patent No.:** **US D553,824 S**

(45) **Date of Patent:** **** Oct. 23, 2007**

(54) **EGG-CARRYING DEVICE**

(75) Inventor: **Rijk Rijksen**, Barneveld (NL)

(73) Assignee: **Jansen Holding B.V.**, MC Barneveld (NL)

(**) Term: **14 Years**

(21) Appl. No.: **29/258,929**

(22) Filed: **Apr. 27, 2006**

(51) **LOC (8) Cl.** **12-05**

(52) **U.S. Cl.** **D34/29; D34/35**

(58) **Field of Classification Search** D34/29,
D34/35; 193/35 R, 37; 198/618, 619, 630,
198/133, 634; 414/267, 276

See application file for complete search history.

(56) **References Cited**

U.S. PATENT DOCUMENTS

2,964,155	A *	12/1960	Flowers et al.	193/35 R
3,915,275	A *	10/1975	Specht	193/35 R
4,134,333	A *	1/1979	Warren	99/498
D258,500	S *	3/1981	Kloefkorn, et al.	D34/29
4,709,713	A *	12/1987	Kuhl	134/72
D376,461	S *	12/1996	Graf	D34/29
5,766,298	A *	6/1998	Ashley et al.	65/187
D493,933	S *	8/2004	Schwagermann	D34/29

* cited by examiner

Primary Examiner—Cynthia E. Ramirez

(74) *Attorney, Agent, or Firm*—DLA Piper US LLP

(57) **CLAIM**

I claim the ornamental design for an egg-carrier device, as shown and described.

DESCRIPTION

FIG. 1 is a first side view of a first component of an egg-carrier device embodying the design;

FIG. 2 is a second side view of the first component shown in FIG. 1;

FIG. 3 is a second side view of a second component of the egg-carrier device that may be combined with the first component of FIG. 1;

FIG. 4 is a first side view of second component shown in FIG. 3;

FIG. 5 is a top view of the second component shown in FIG. 3;

FIG. 6 is a top view of the first component shown in FIG. 1; FIG. 7 is a bottom view of the second component shown in FIG. 3;

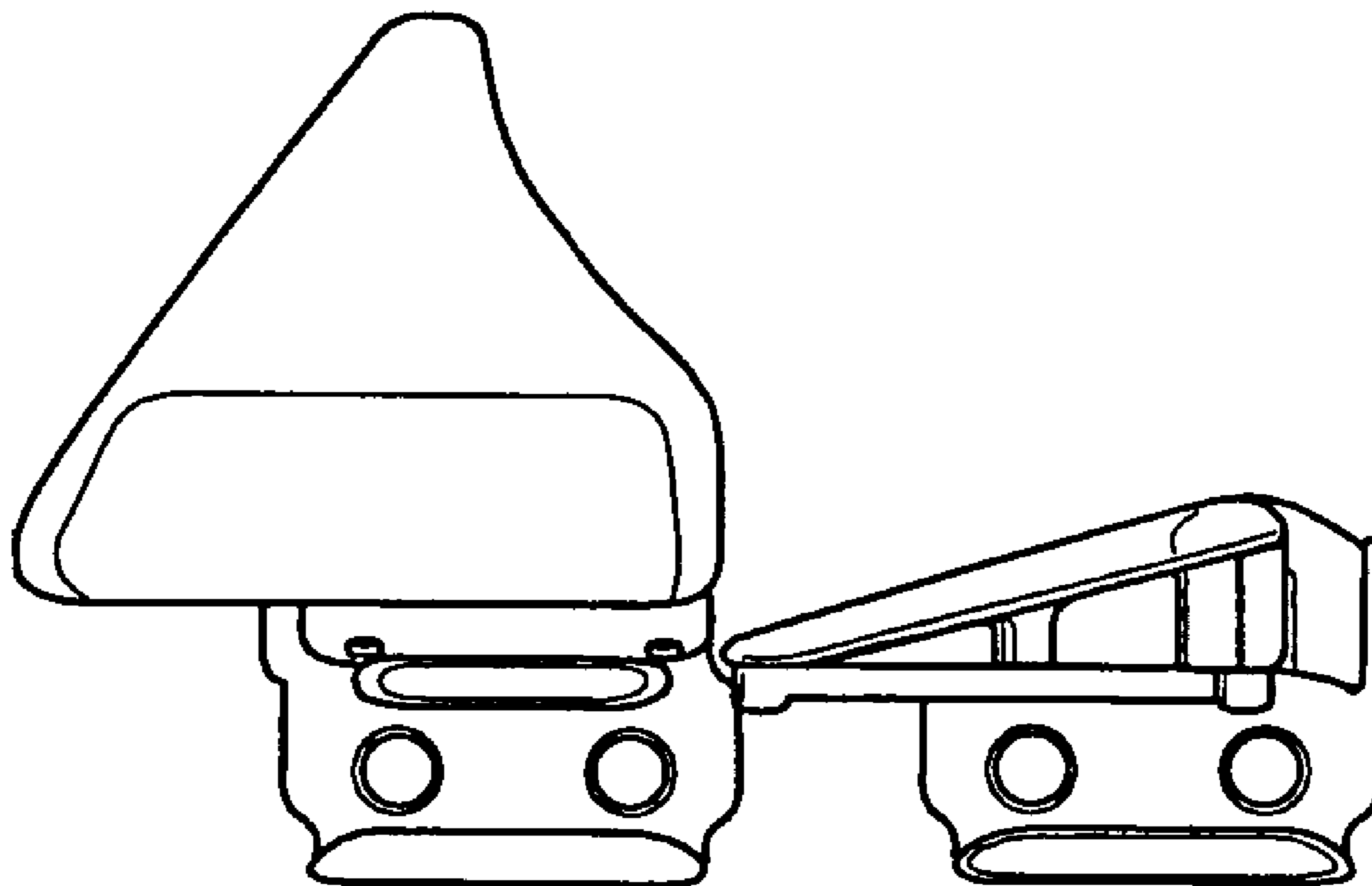
FIG. 8 is a bottom view of the first component shown in FIG. 1;

FIG. 9 is an enlarged end view of the egg carrier; and,

FIG. 10 is a perspective view of the first and second components positioned next to each other.

The components are being shown separately in FIGS. 1 through 4 for convenience of illustration.

1 Claim, 4 Drawing Sheets



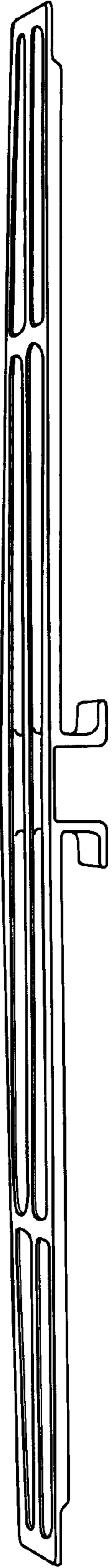


FIG. 1

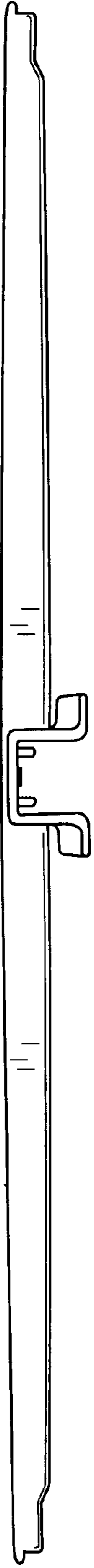


FIG. 2

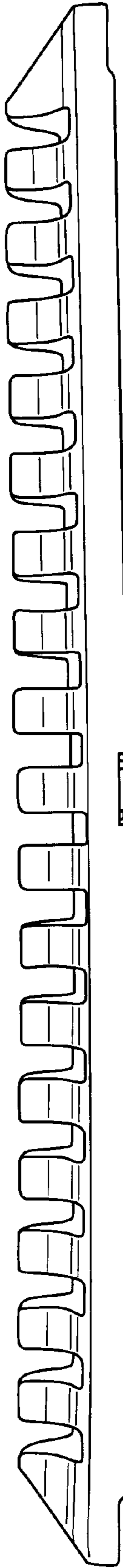


FIG. 3

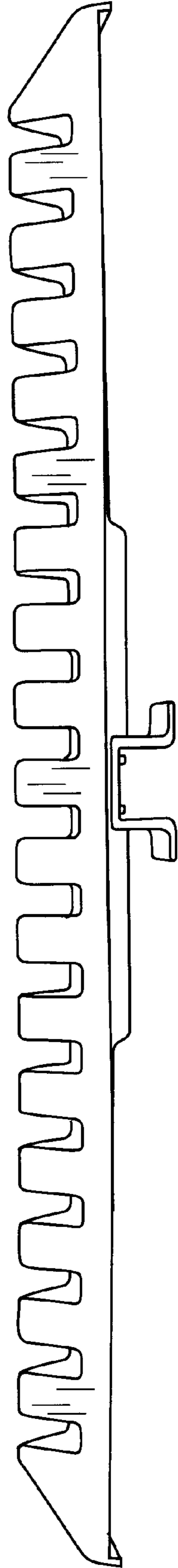


FIG. 4

FIG. 5

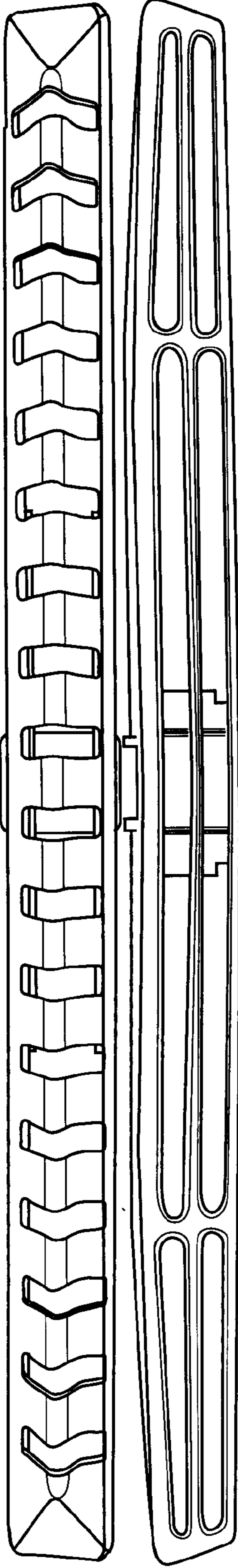


FIG. 6

FIG. 7

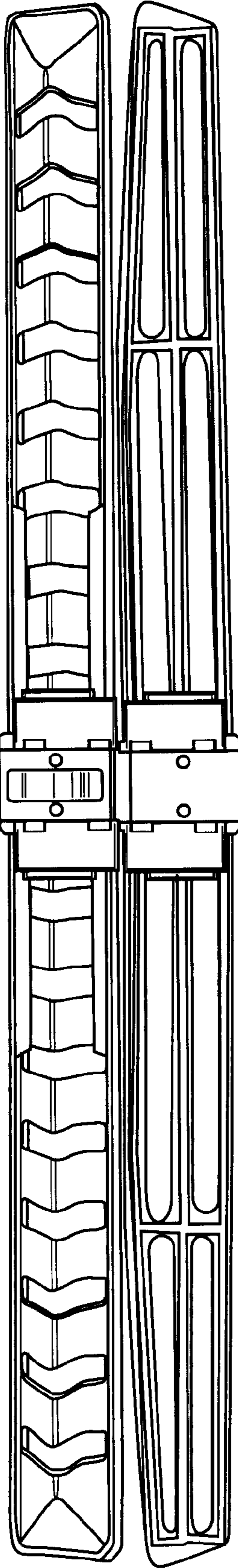


FIG. 8

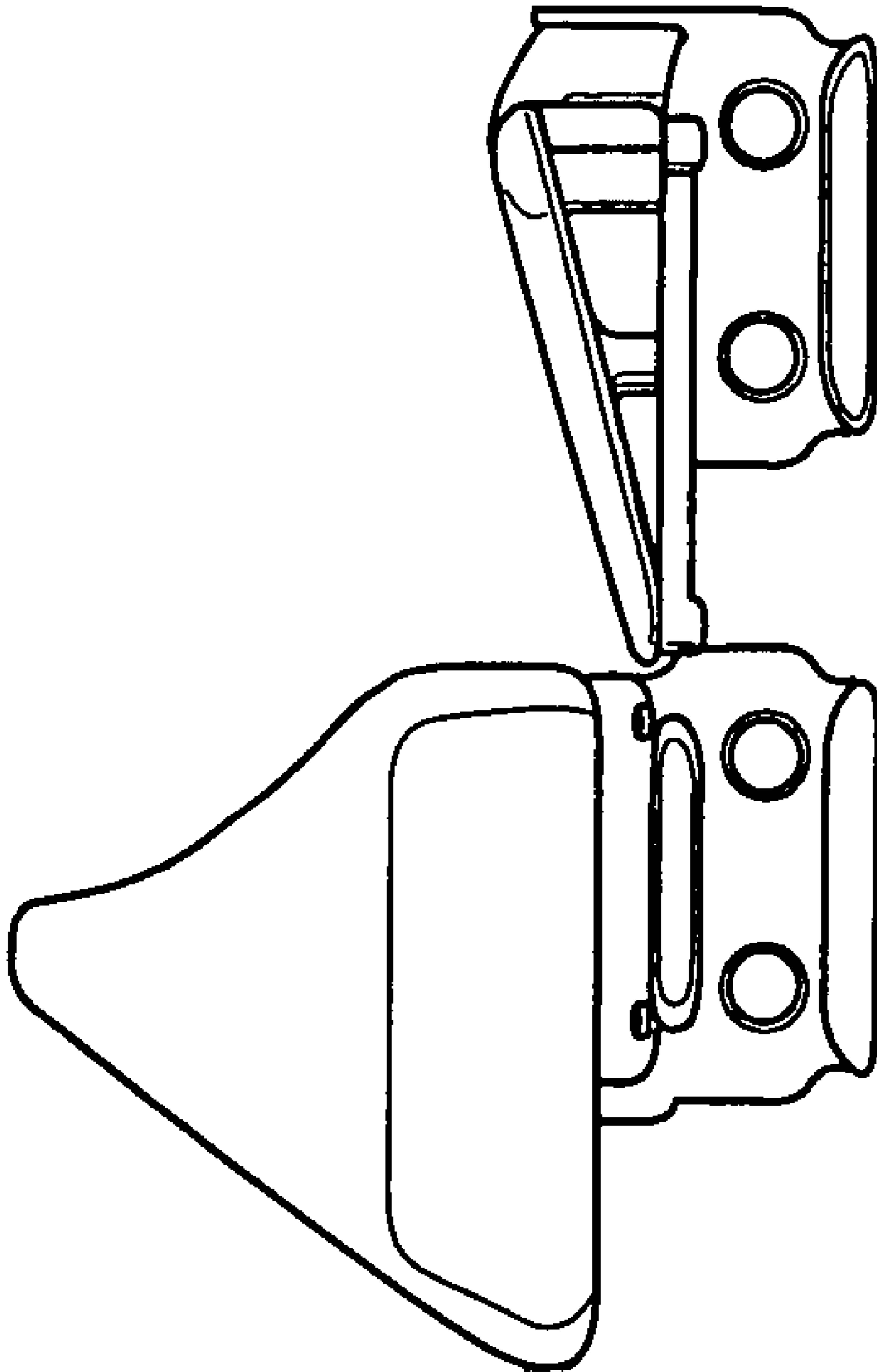


FIG. 9

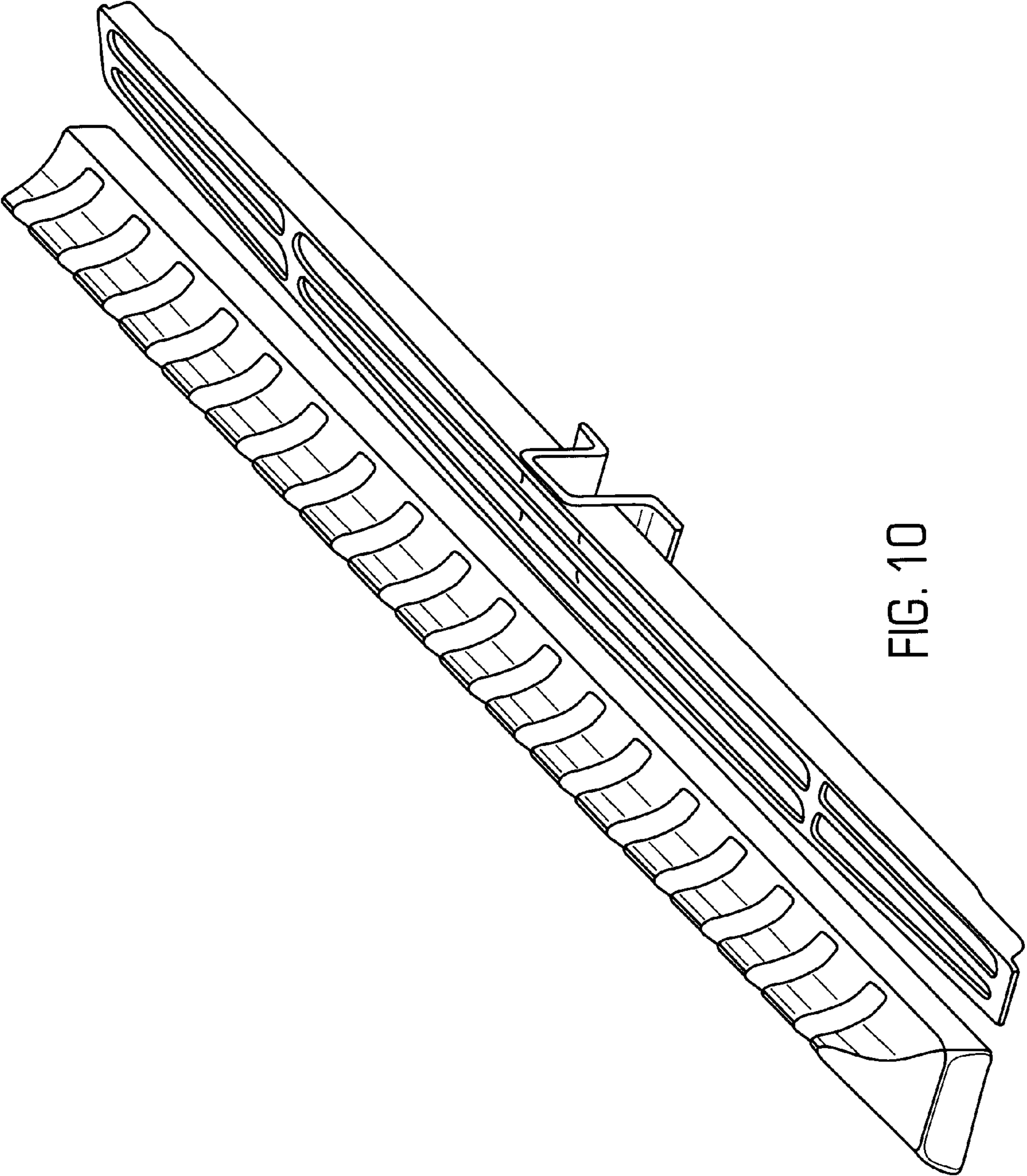


FIG. 10