



US00D553823S

(12) **United States Design Patent**  
**Liu**

(10) **Patent No.:** **US D553,823 S**

(45) **Date of Patent:** **\*\* Oct. 23, 2007**

(54) **LAY BOARD**

(76) Inventor: **Yiang-Chou Liu**, 3F, No. 63-1, Sec. 1,  
2Lin Chang An Tung Rd., Vil. Cheng  
Yi, Chungshan, Taipei (TW) 104

(\*\*) Term: **14 Years**

(21) Appl. No.: **29/267,646**

(22) Filed: **Nov. 6, 2006**

(51) **LOC (8) Cl.** ..... **12-02**

(52) **U.S. Cl.** ..... **D34/23**

(58) **Field of Classification Search** ..... D34/12-27;  
280/79.2, 79.5, 79.4, 638, 79.11, 79.1, 32.6;  
D24/185; 248/188.7; 5/201

See application file for complete search history.

(56) **References Cited**

**U.S. PATENT DOCUMENTS**

D384,466 S *	9/1997	Taylor	.....	D34/23
D460,237 S *	7/2002	Hart	.....	D34/23
D522,209 S *	5/2006	Chipps	.....	D34/23
D532,177 S *	11/2006	Hernandez	.....	D34/23
2005/0023780 A1 *	2/2005	Liu	.....	280/32.6

\* cited by examiner

*Primary Examiner*—Cynthia E. Ramirez

(74) *Attorney, Agent, or Firm*—Bacon & Thomas, PLLC

(57) **CLAIM**

The ornamental design for a lay board, as shown and described.

**DESCRIPTION**

FIG. 1 is a perspective view of a lay board showing the new design;

FIG. 2 is a front view thereof;

FIG. 3 is a rear view thereof;

FIG. 4 is a left side view thereof;

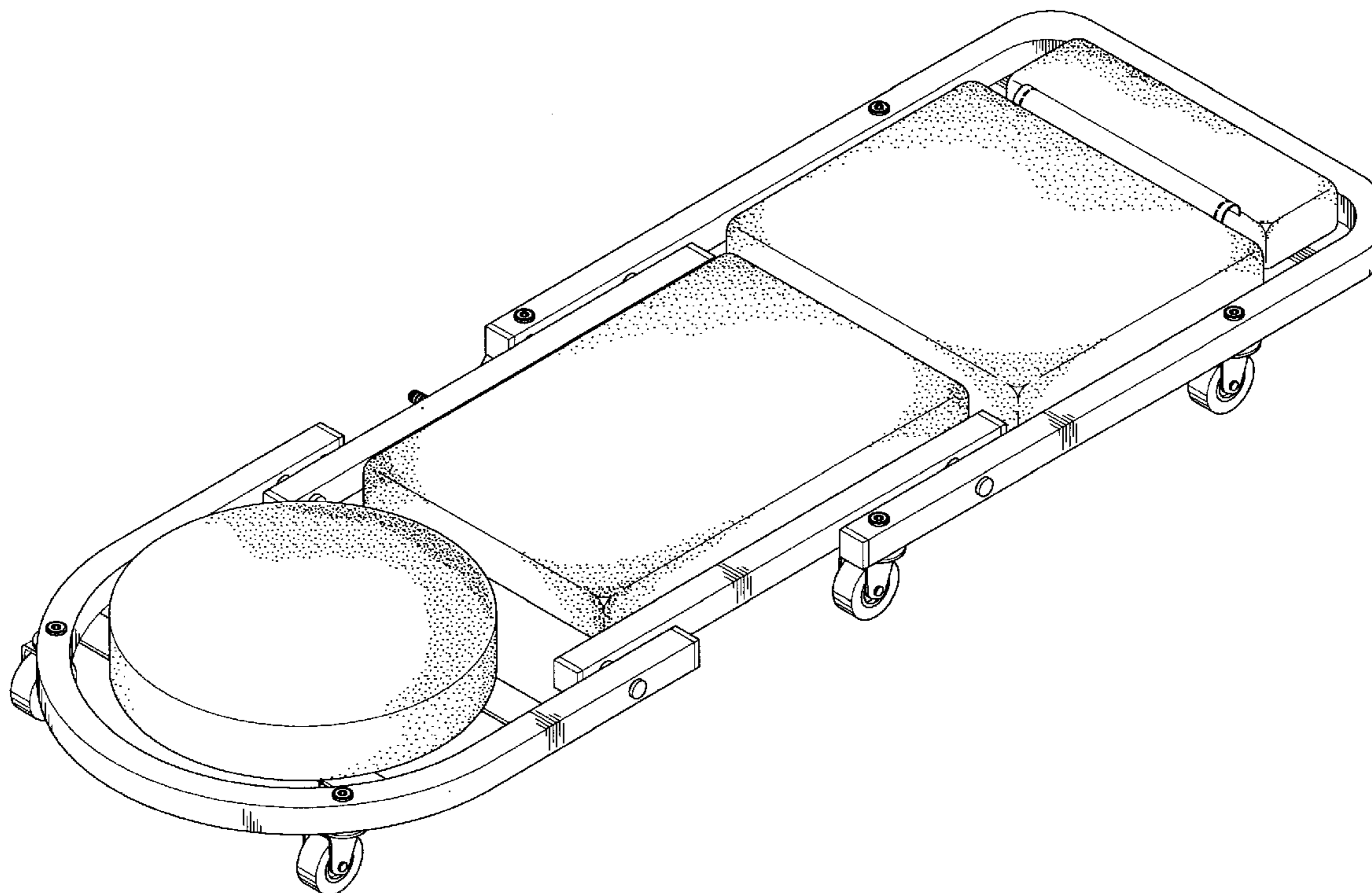
FIG. 5 is a right side view thereof;

FIG. 6 is a top side view thereof;

FIG. 7 is a bottom side view thereof; and,

FIG. 8 is a perspective view showing the lay board in an alternate position.

**1 Claim, 5 Drawing Sheets**



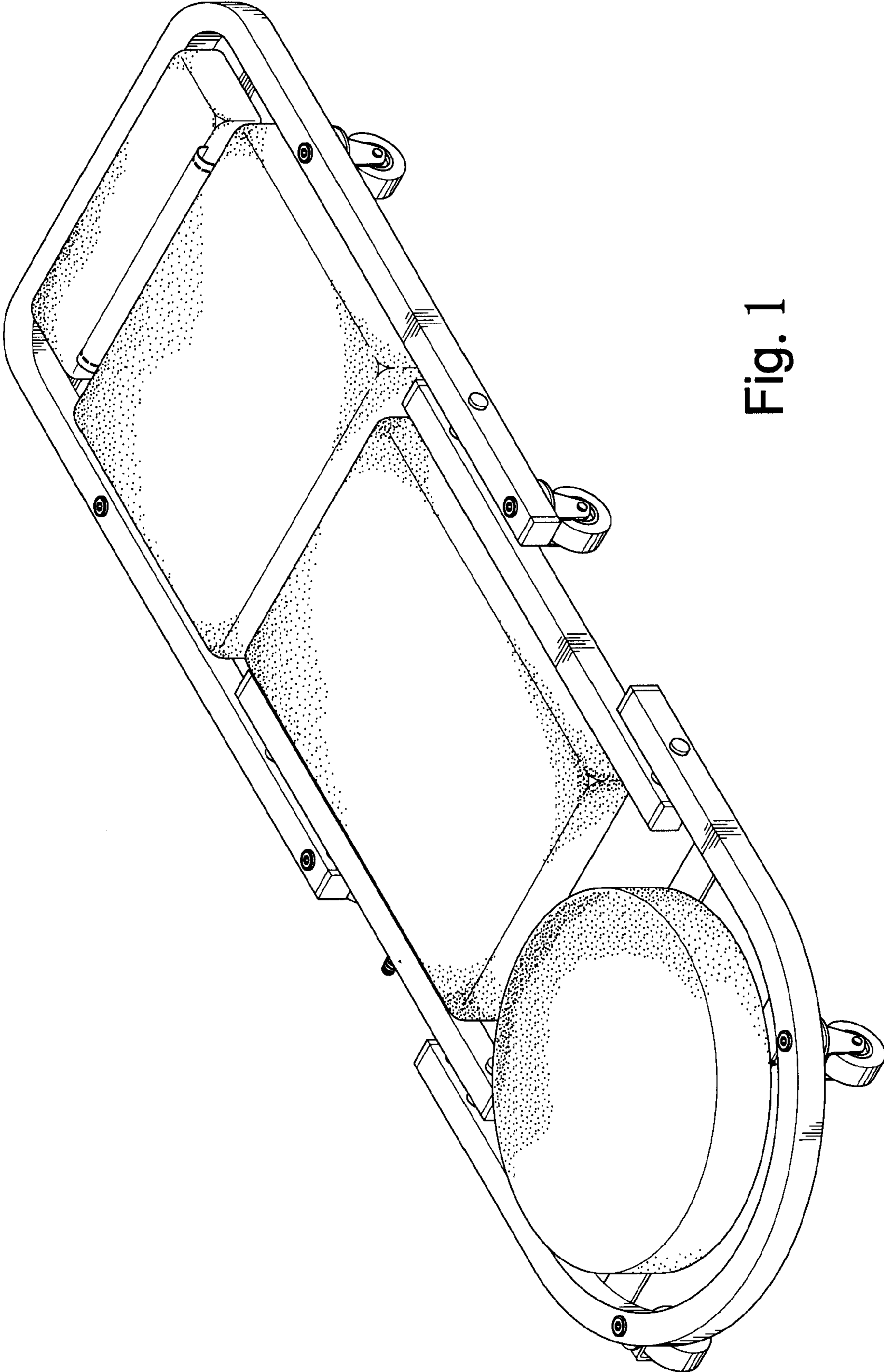


Fig. 1

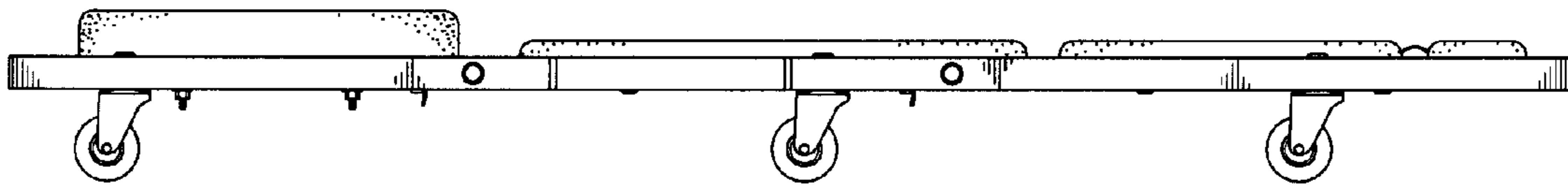


Fig. 2

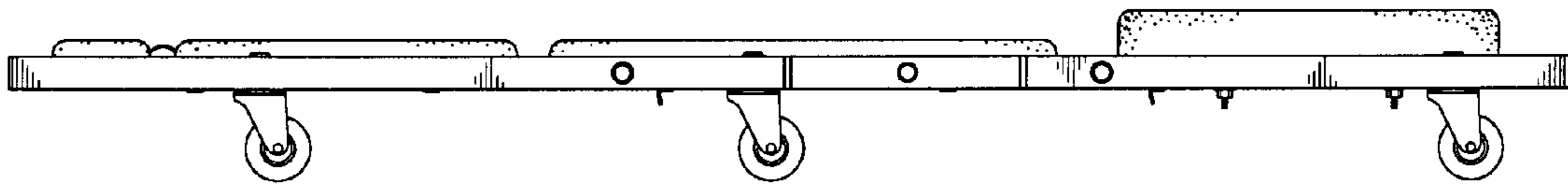


Fig. 3

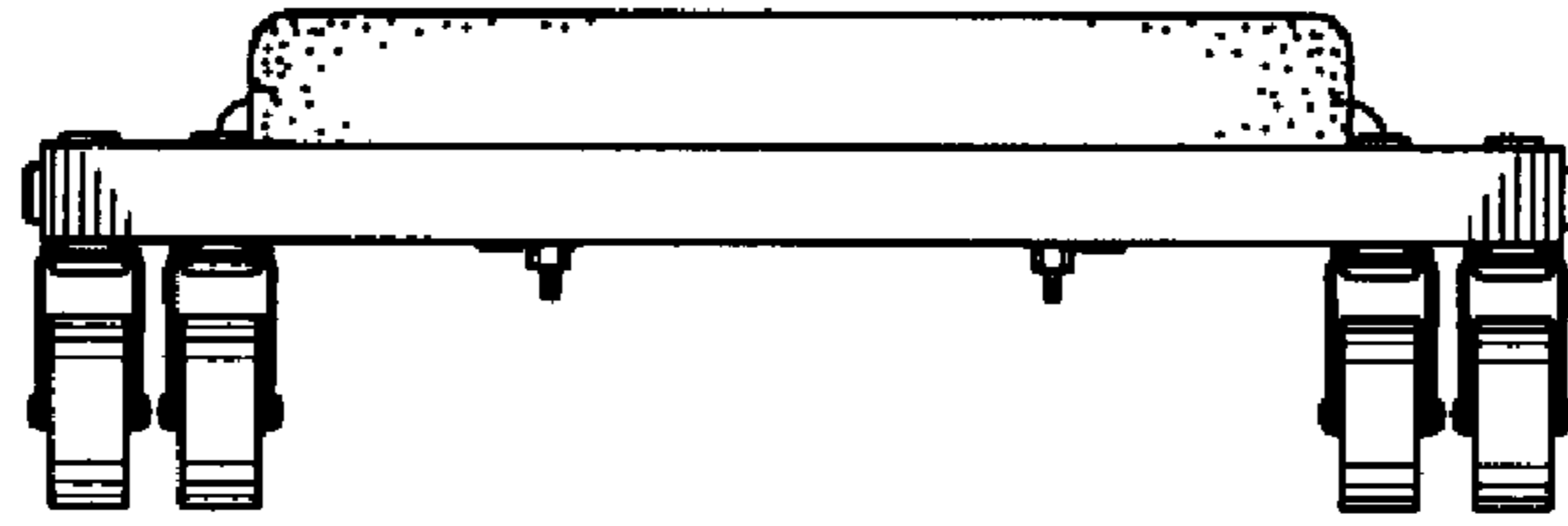


Fig. 4

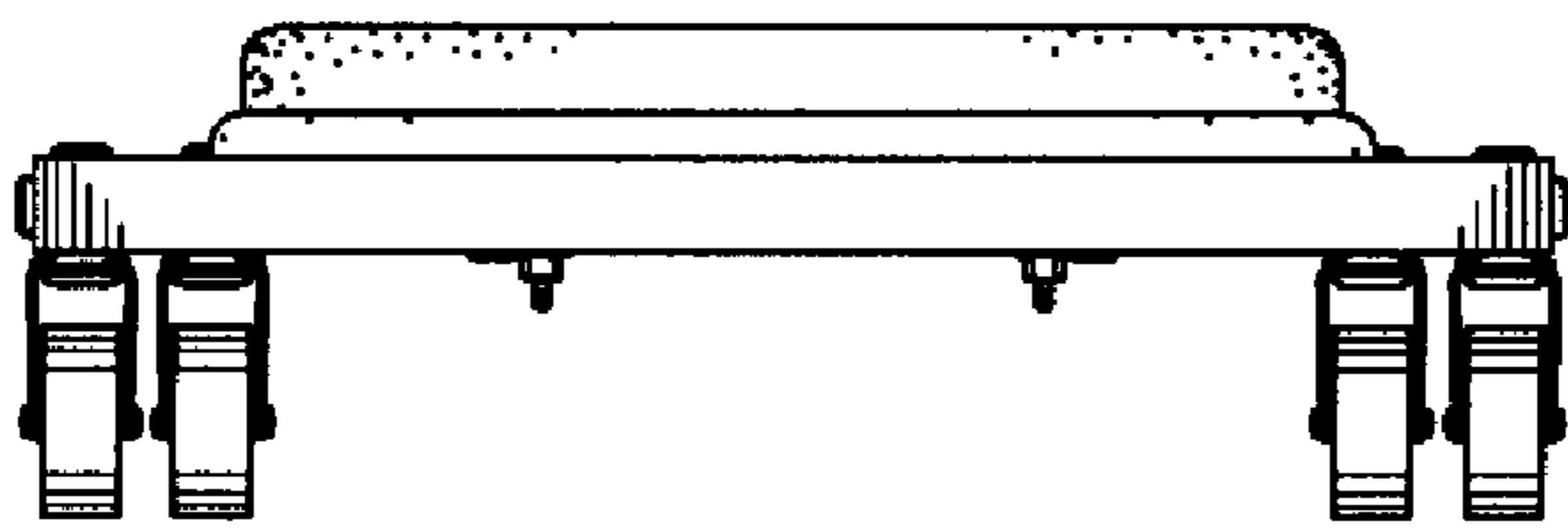


Fig. 5

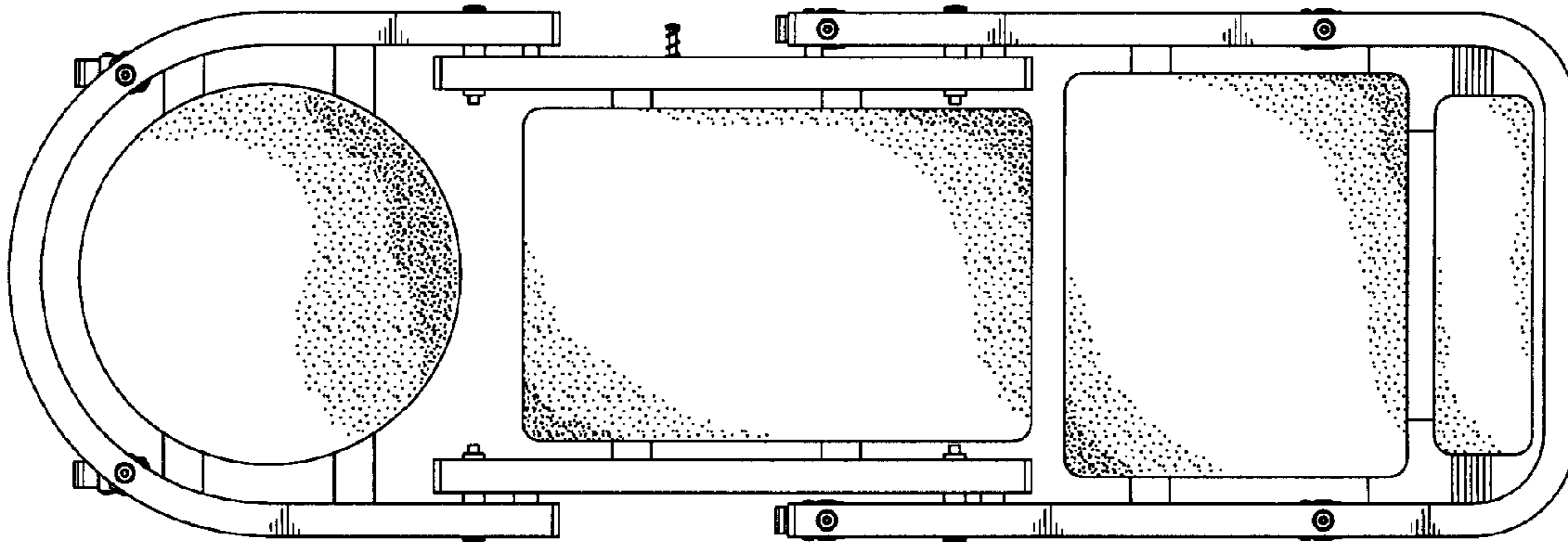


Fig. 6

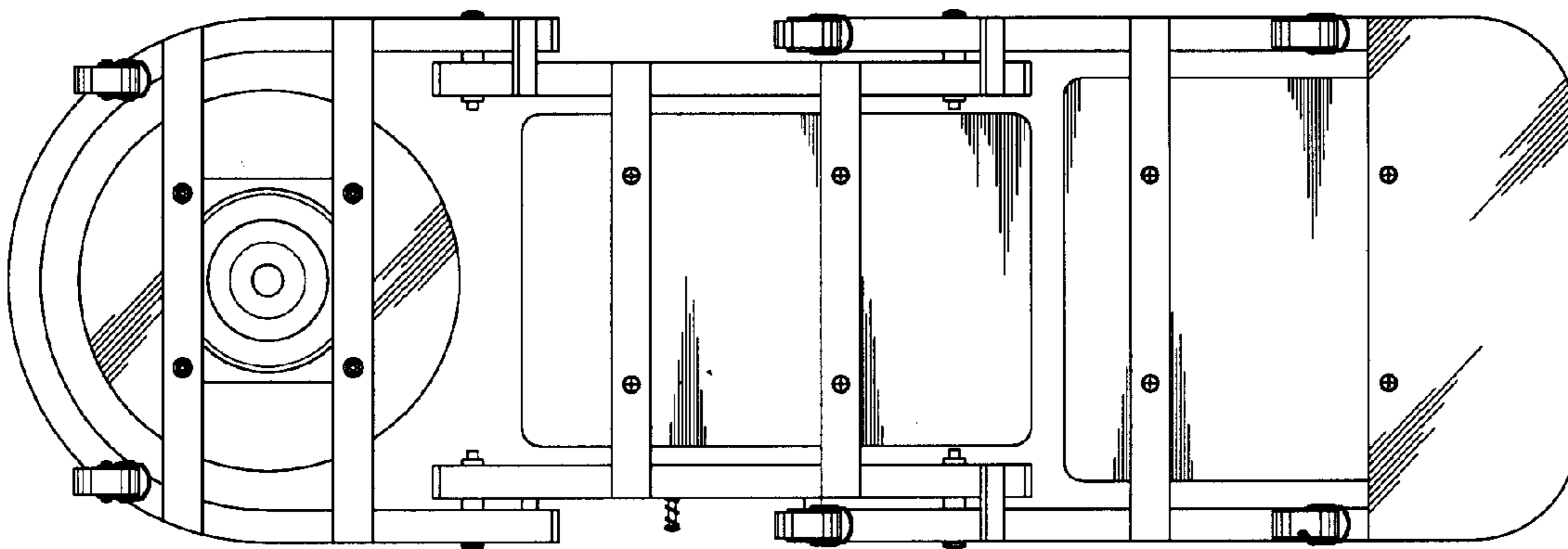


Fig. 7

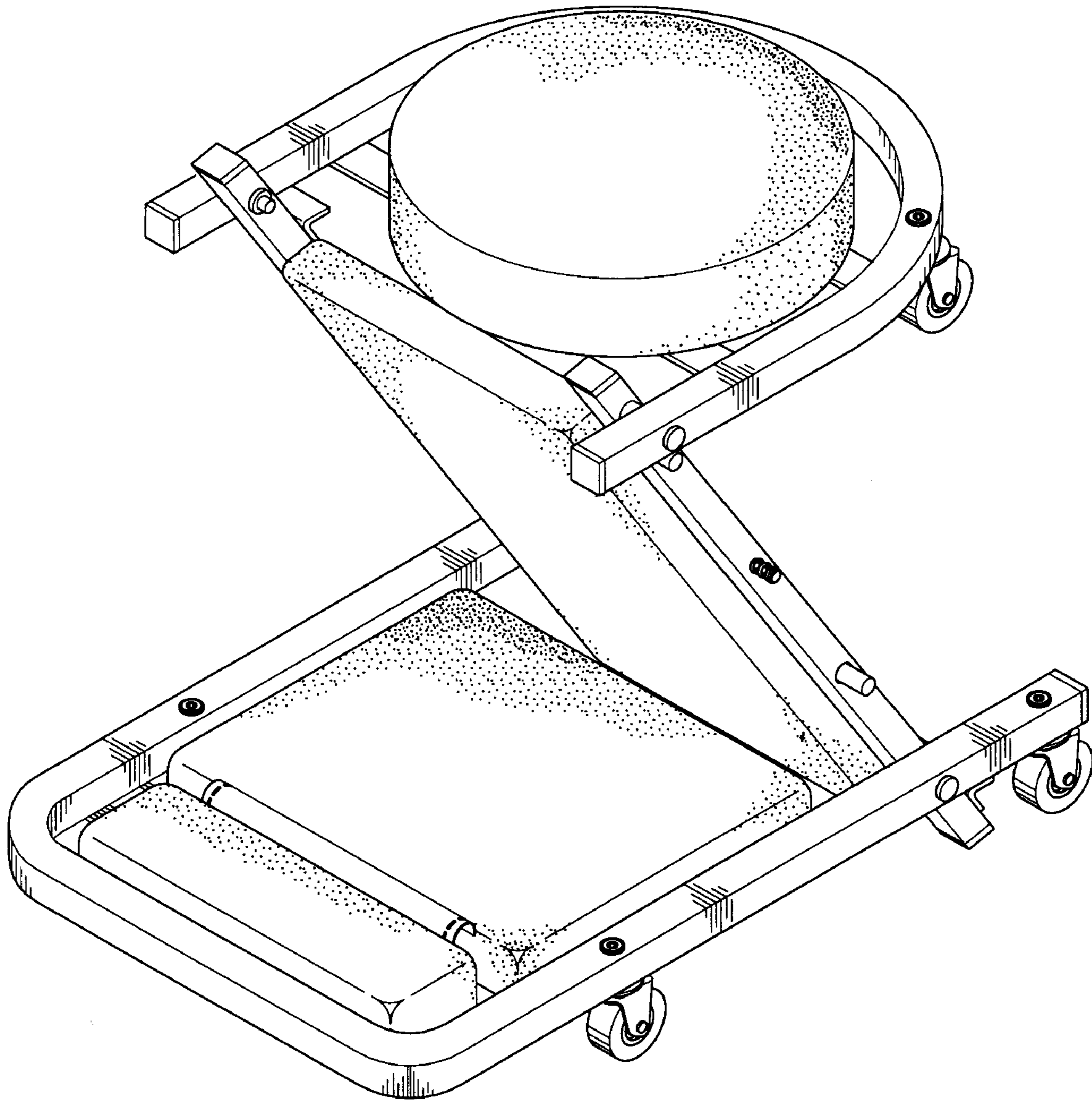


Fig. 8