



US00D553822S

(12) **United States Design Patent**
Lin

(10) **Patent No.:** **US D553,822 S**

(45) **Date of Patent:** **** Oct. 23, 2007**

(54) **GARBAGE CAN**

(76) **Inventor:** **Tsong-Yow Lin**, No. 57-1, Yung Ho Street, Yung Ho Village, Ta Tu Hsiang, Taichung Hsien (TW)

(**) **Term:** **14 Years**

(21) **Appl. No.:** **29/250,690**

(22) **Filed:** **Nov. 28, 2006**

(51) **LOC (8) Cl.** **09-09**

(52) **U.S. Cl.** **D34/9**

(58) **Field of Classification Search** D34/1-11;
220/908, 262-264

See application file for complete search history.

(56) **References Cited**

U.S. PATENT DOCUMENTS

D154,377 S *	7/1949	Freedman et al.	D34/9
D323,729 S *	2/1992	Weiland	D34/9
D333,542 S *	2/1993	McKenzie	D34/9
D335,730 S *	5/1993	Tessner et al.	D34/7
D344,381 S *	2/1994	Martin et al.	D34/7
D347,916 S *	6/1994	Russ	D34/5
6,386,386 B1 *	5/2002	George	220/526
D481,846 S *	11/2003	Lin	D34/9

D482,169 S *	11/2003	Lin	D34/9
D488,902 S *	4/2004	Yang et al.	D34/8
D489,153 S *	4/2004	Lin	D34/9
7,086,550 B2 *	8/2006	Yang et al.	220/263

* cited by examiner

Primary Examiner—Cynthia E. Ramirez

(74) *Attorney, Agent, or Firm*—Alan Kamrath; Kamrath & Associates PA

(57) **CLAIM**

The ornamental design for garbage can, as shown and described.

DESCRIPTION

FIG. 1 is a perspective view of a garbage can showing my new design;

FIG. 2 is a front view thereof;

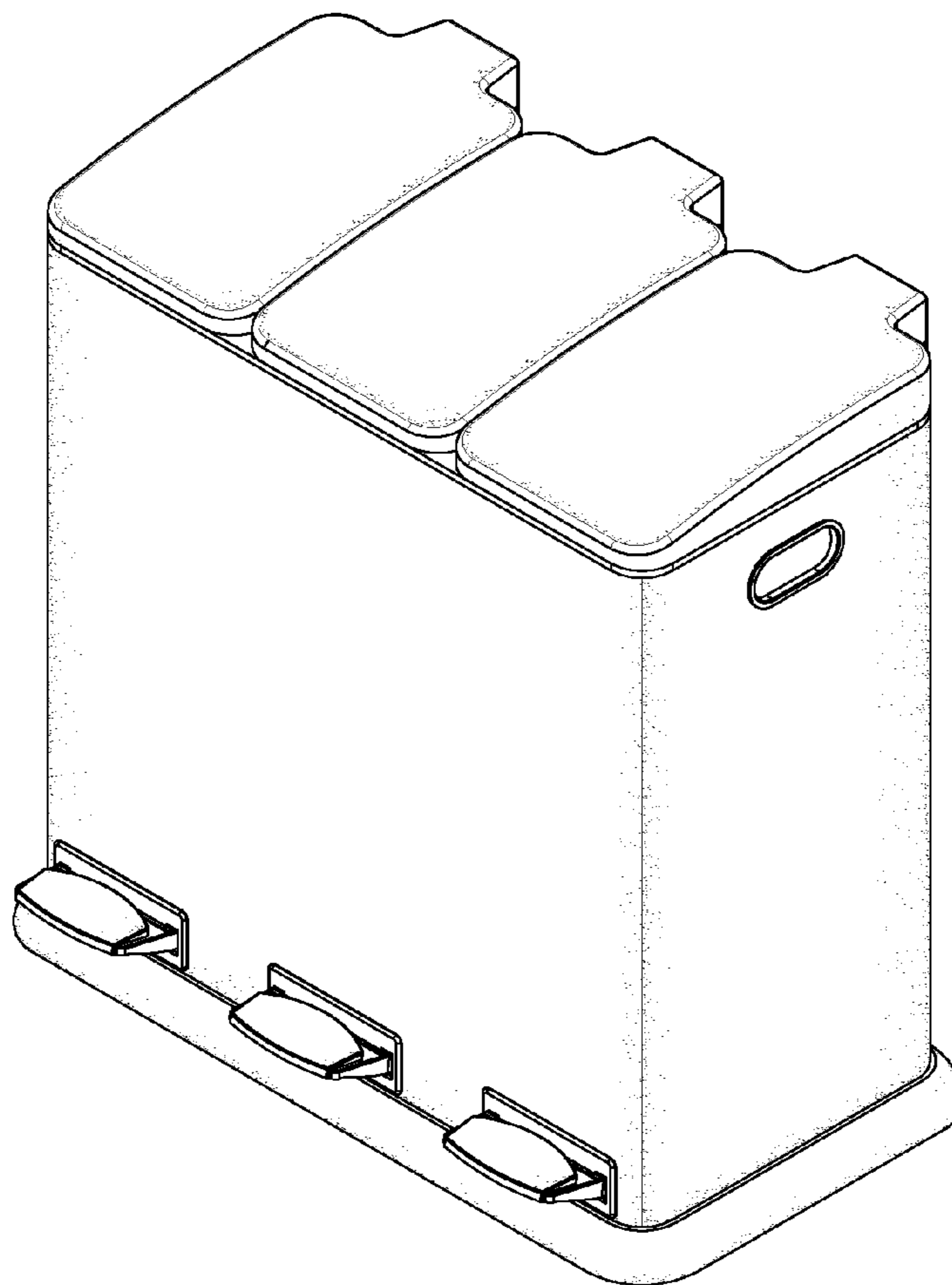
FIG. 3 is a rear view thereof;

FIG. 4 is a left view thereof;

FIG. 5 is a right view thereof; and,

FIG. 6 is a top view thereof.

1 Claim, 4 Drawing Sheets



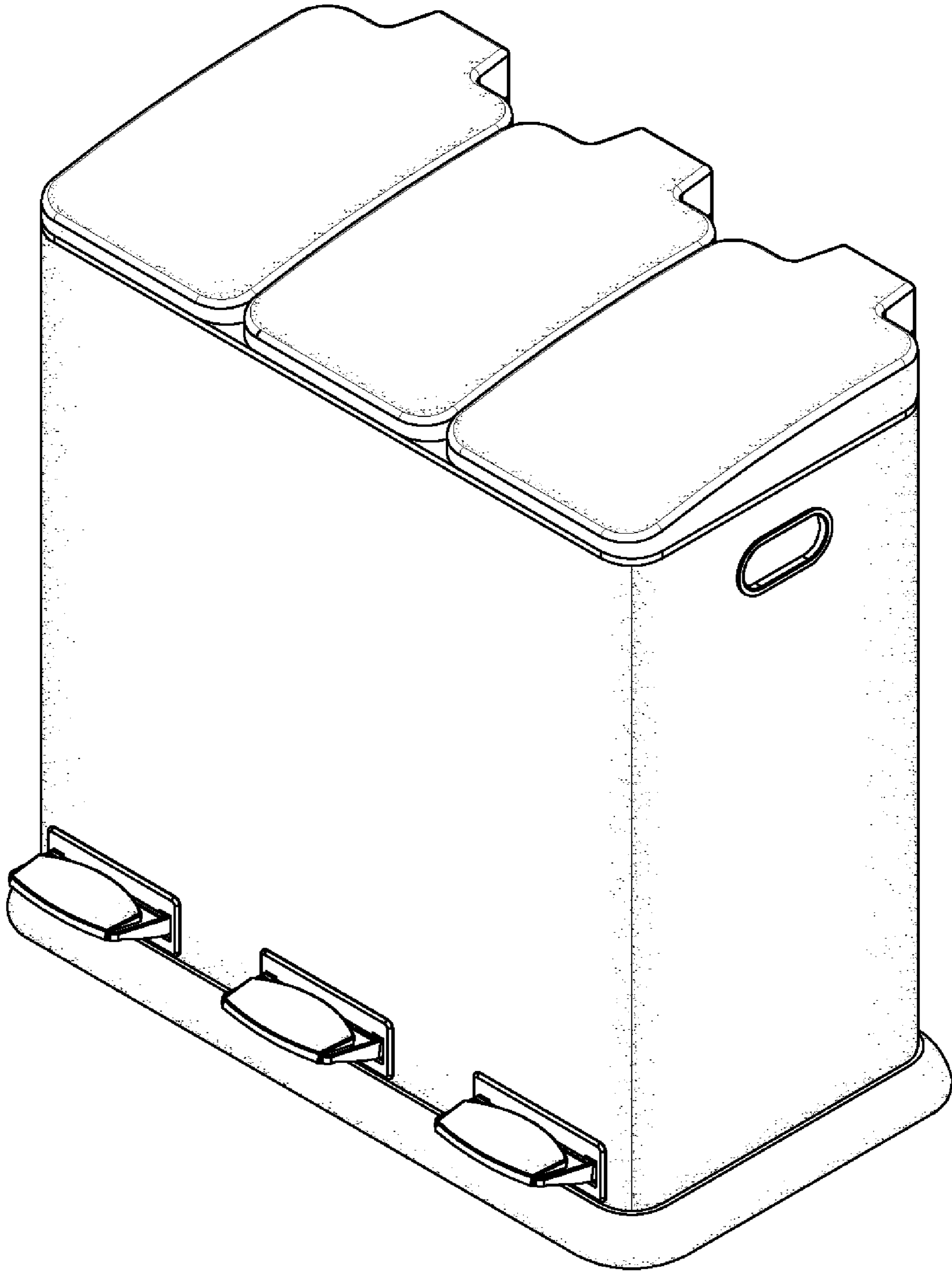


Fig.1

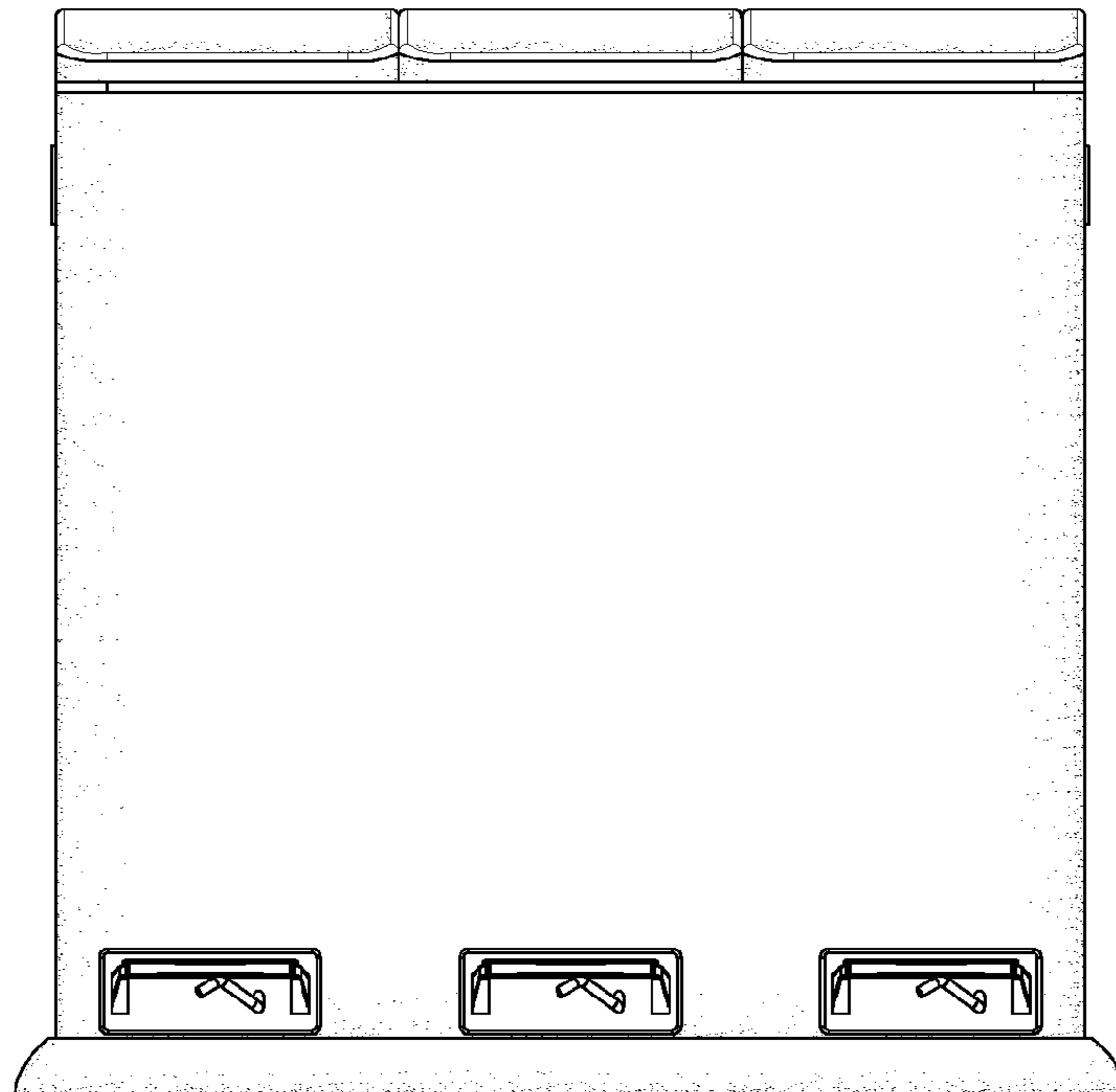


Fig.2

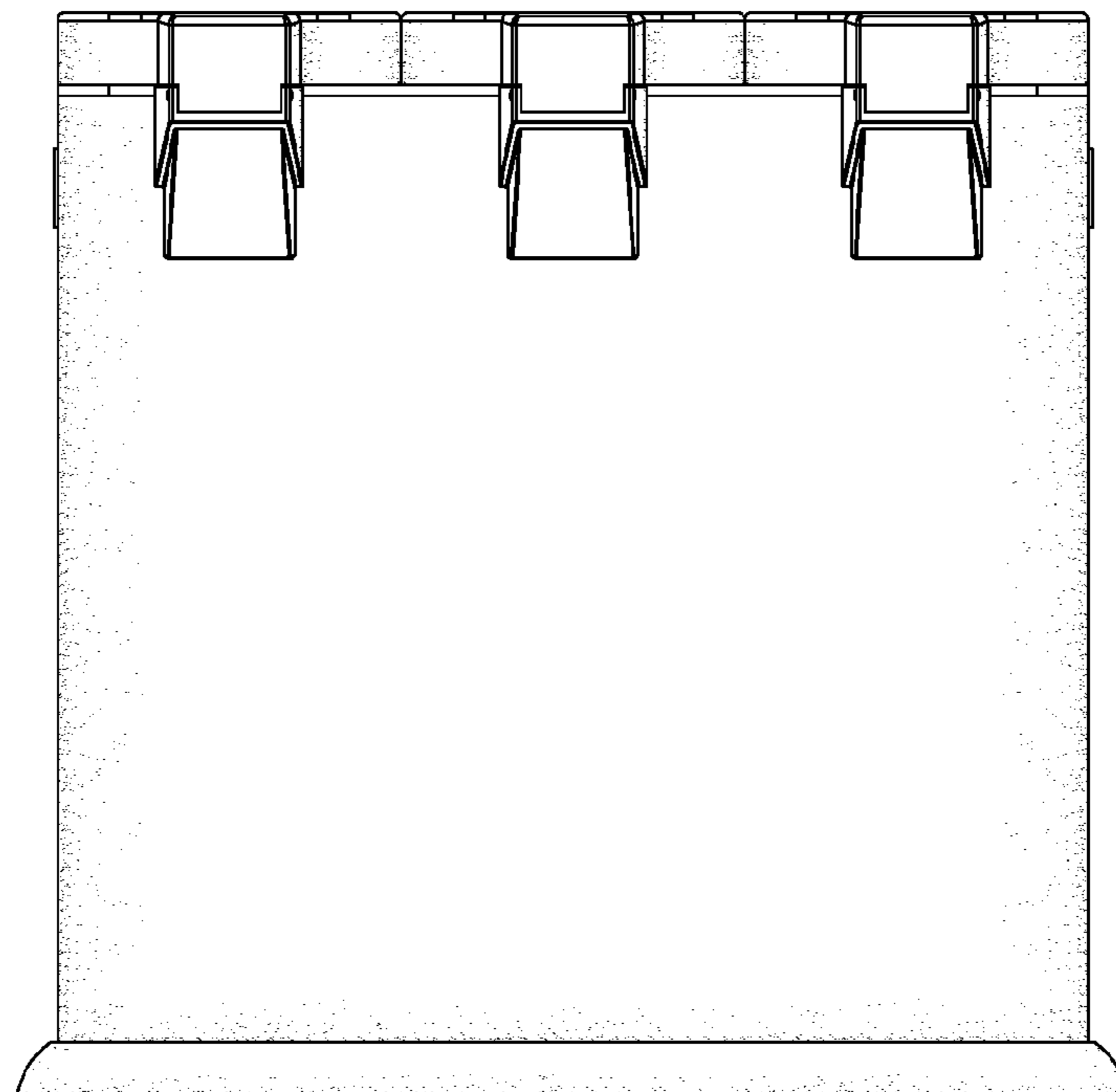


Fig.3

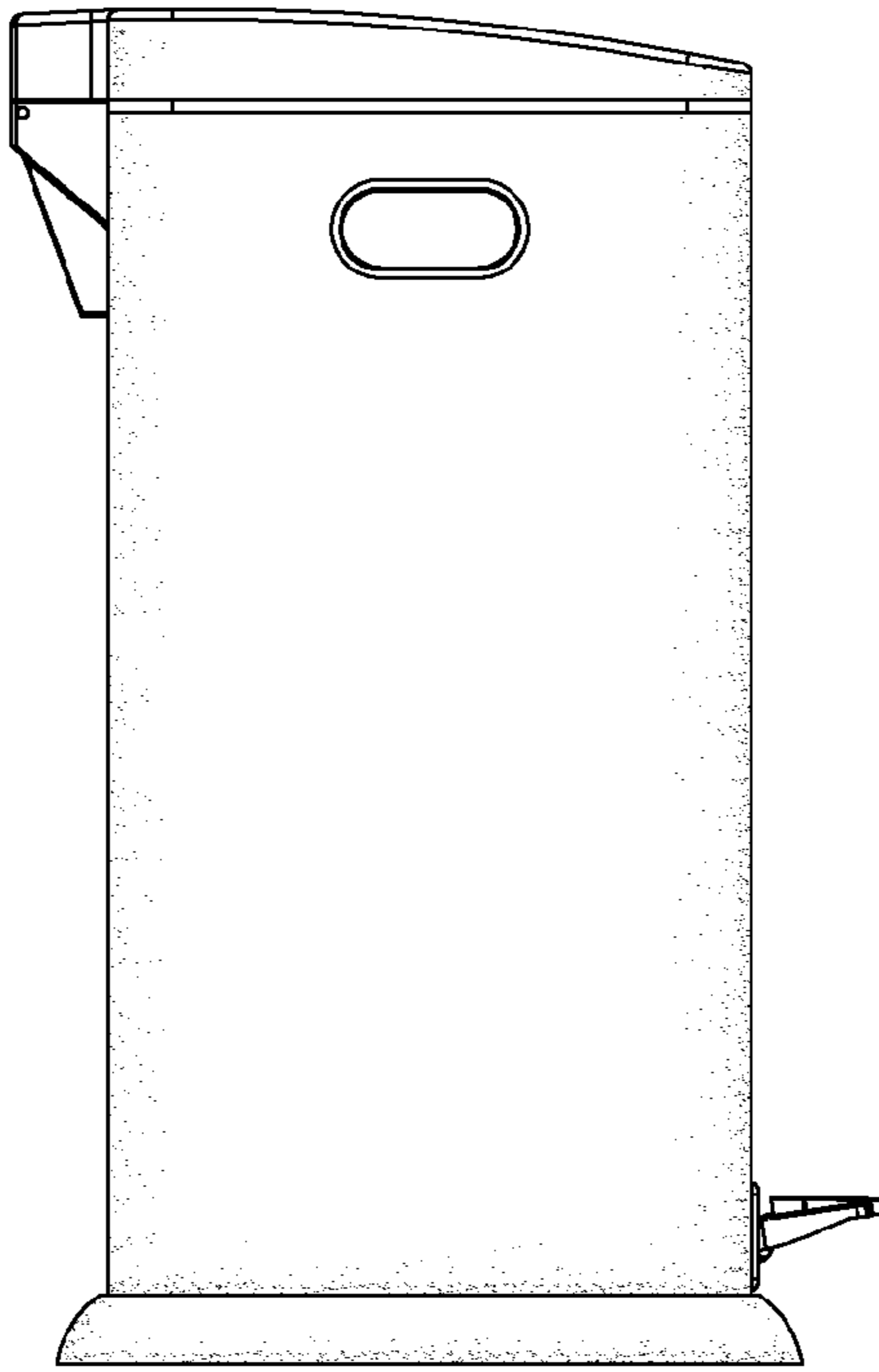


Fig.4

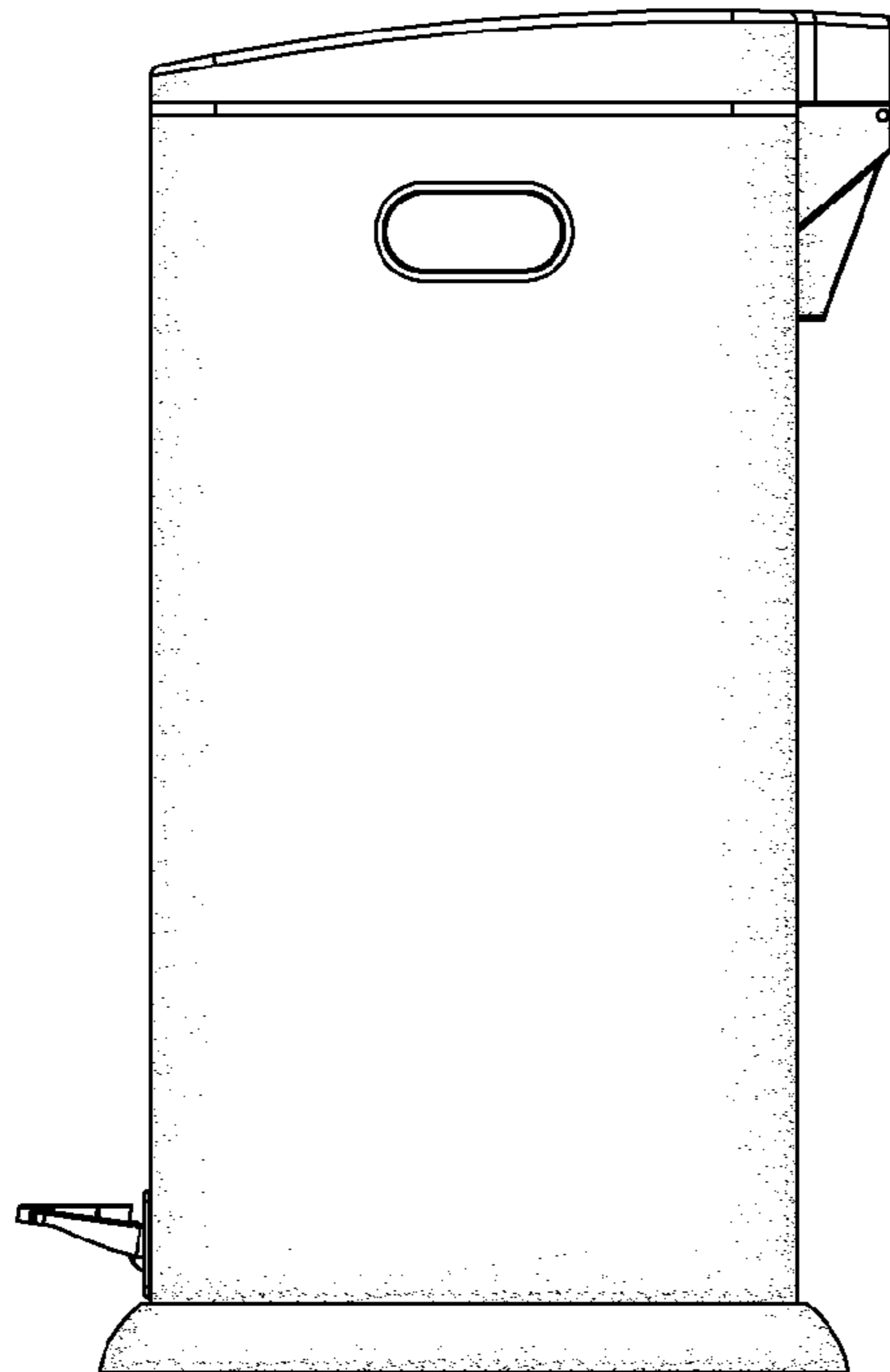


Fig.5

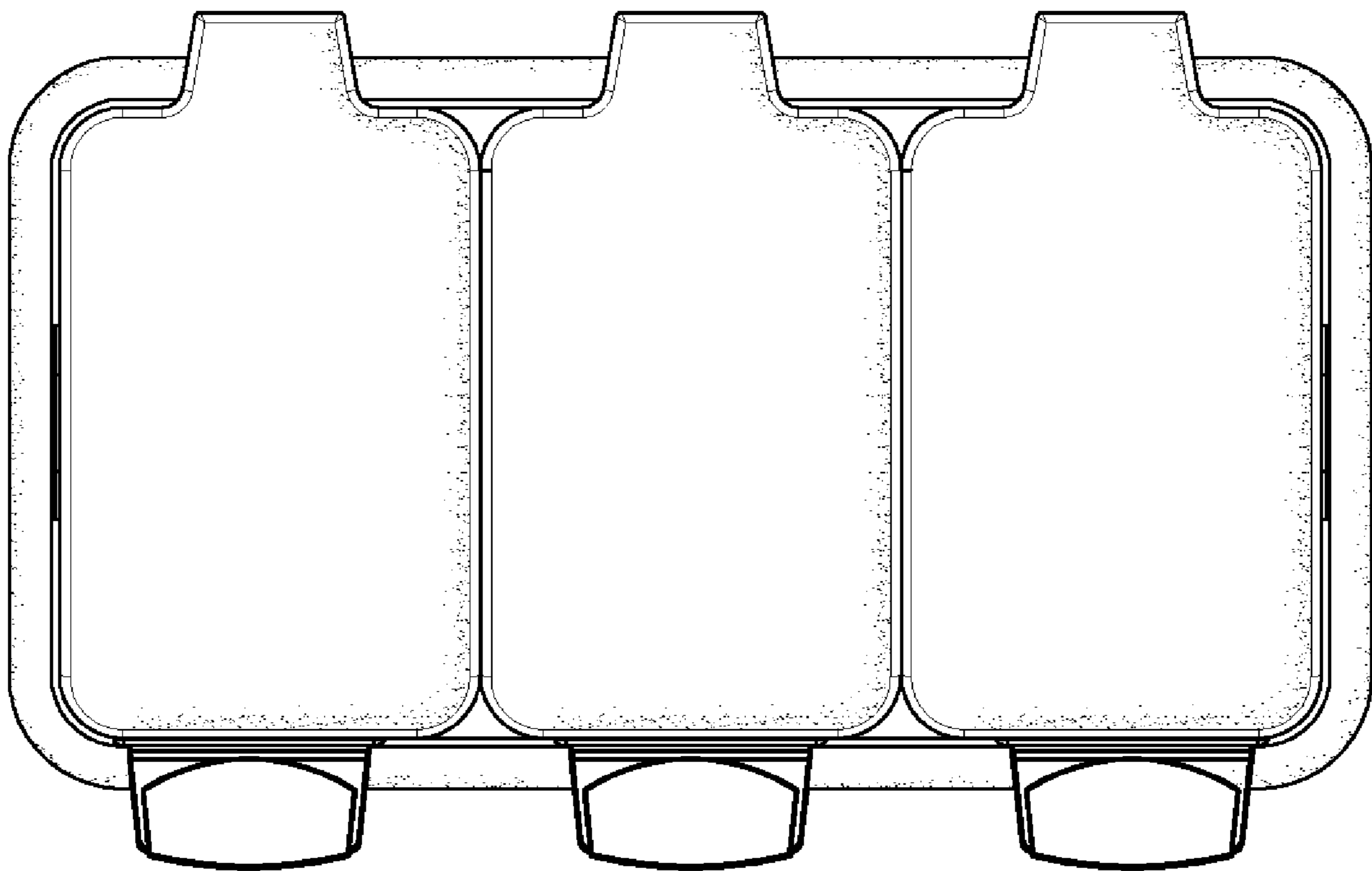


Fig.6