



US00D553814S

(12) **United States Design Patent**
Parr et al.

(10) **Patent No.:** **US D553,814 S**
(45) **Date of Patent:** **** Oct. 23, 2007**

(54) **UPRIGHT VACUUM CLEANER**
(75) Inventors: **Richard S. Parr**, Uniontown, OH (US);
Nick M. Bosyj, North Canton, OH
(US); **Douglas M. Rukavina**,
Massillon, OH (US)
(73) Assignee: **The Hoover Company**, North Canton,
OH (US)
(**) Term: **14 Years**
(21) Appl. No.: **29/267,041**
(22) Filed: **Oct. 4, 2006**

D506,043 S 6/2005 Kim
D509,633 S 9/2005 Santiago
D510,465 S * 10/2005 Takahashi et al. D32/22
D515,755 S 2/2006 Leyden
D516,760 S 3/2006 Choi
D519,250 S 4/2006 Leyden
D522,200 S 5/2006 Scheifele et al.
D531,770 S 11/2006 Luebbering et al.
D532,944 S * 11/2006 Choi D32/22
D533,697 S 12/2006 Ikeno et al.
D535,069 S * 1/2007 Breit D32/22
D535,070 S * 1/2007 Shin D32/22
D535,071 S 1/2007 Choi
D537,584 S * 2/2007 Greene et al. D32/22

* cited by examiner

Primary Examiner—Ruth McInroy

(74) *Attorney, Agent, or Firm*—Renner, Kenner, Greive,
Bobak, Taylor & Weber

(51) **LOC (8) Cl.** **15-05**
(52) **U.S. Cl.** **D32/22**
(58) **Field of Classification Search** D32/21–24,
D32/31–33, 40–42, 45, 50–51; 15/244.1,
15/209.1, 228, 350–353, 361, 320–322, 400–401,
15/412–414, 415.1–422, 422.1, 327.1–327.7;
D12/204–213; D21/779, 563; 401/138,
401/268

See application file for complete search history.

(57) **CLAIM**

The ornamental design for an upright vacuum cleaner, as
shown and described.

DESCRIPTION

FIG. 1 is a front perspective view of the floor care appliance
showing our new design;

FIG. 2 is a front view thereof;

FIG. 3 is a left side view thereof;

FIG. 4 is a right side view thereof;

FIG. 5 is a top view thereof; and,

FIG. 6 is a rear view thereof.

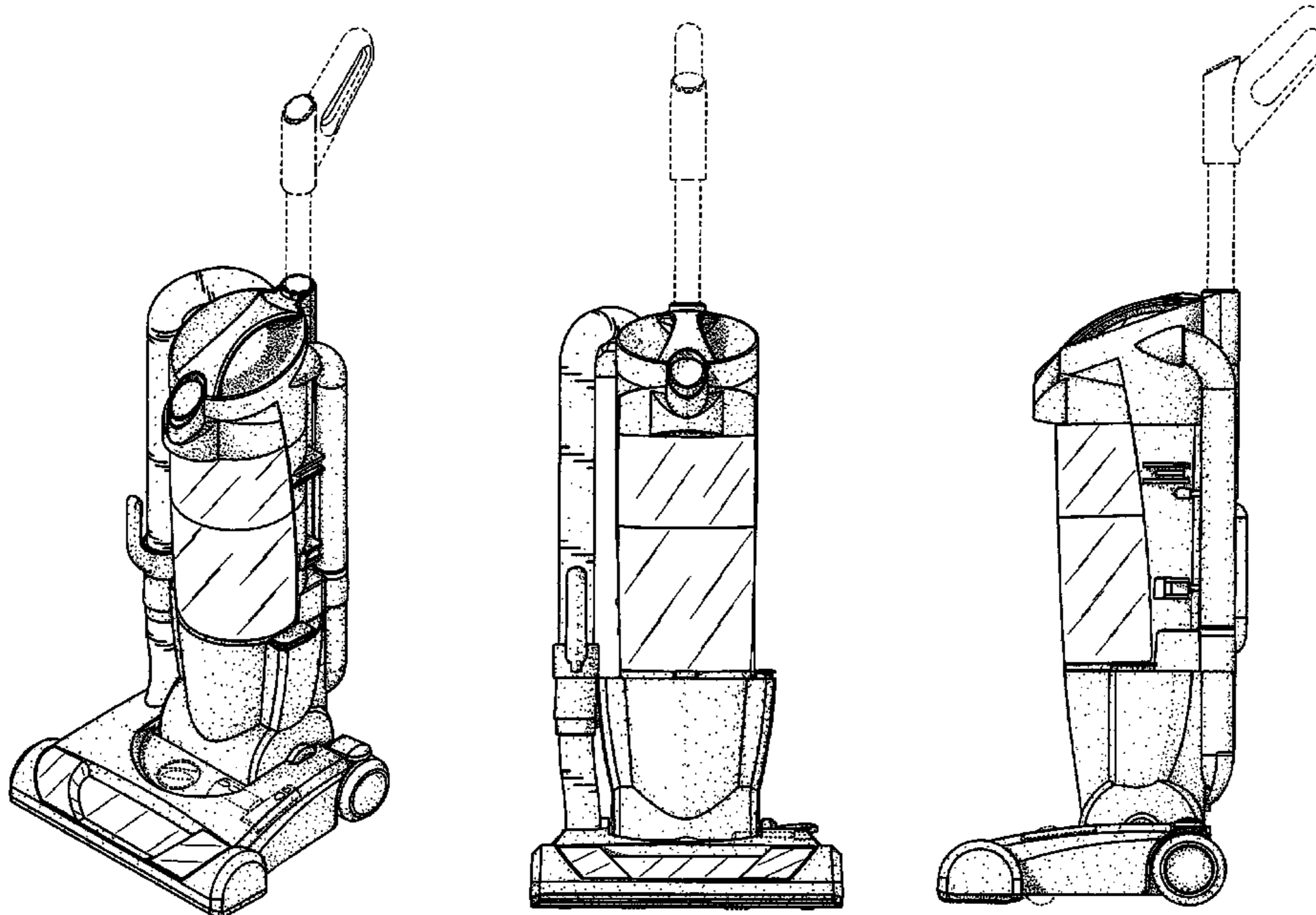
The portions shown in dashed lines are shown for illustrative
purposes only and form no part of the claimed design.

(56) **References Cited**

U.S. PATENT DOCUMENTS

D403,482 S 12/1998 Essex et al.
D426,038 S 5/2000 Essex et al.
D428,677 S 7/2000 Saunders et al.
D439,379 S 3/2001 Gammack et al.
D440,365 S 4/2001 Salo et al.
D443,121 S 5/2001 Hamm et al.
D461,285 S 8/2002 Hammond
D462,813 S * 9/2002 Nakano et al. D32/22
D465,075 S 10/2002 Wright et al.
D488,894 S 4/2004 Leyden

1 Claim, 6 Drawing Sheets



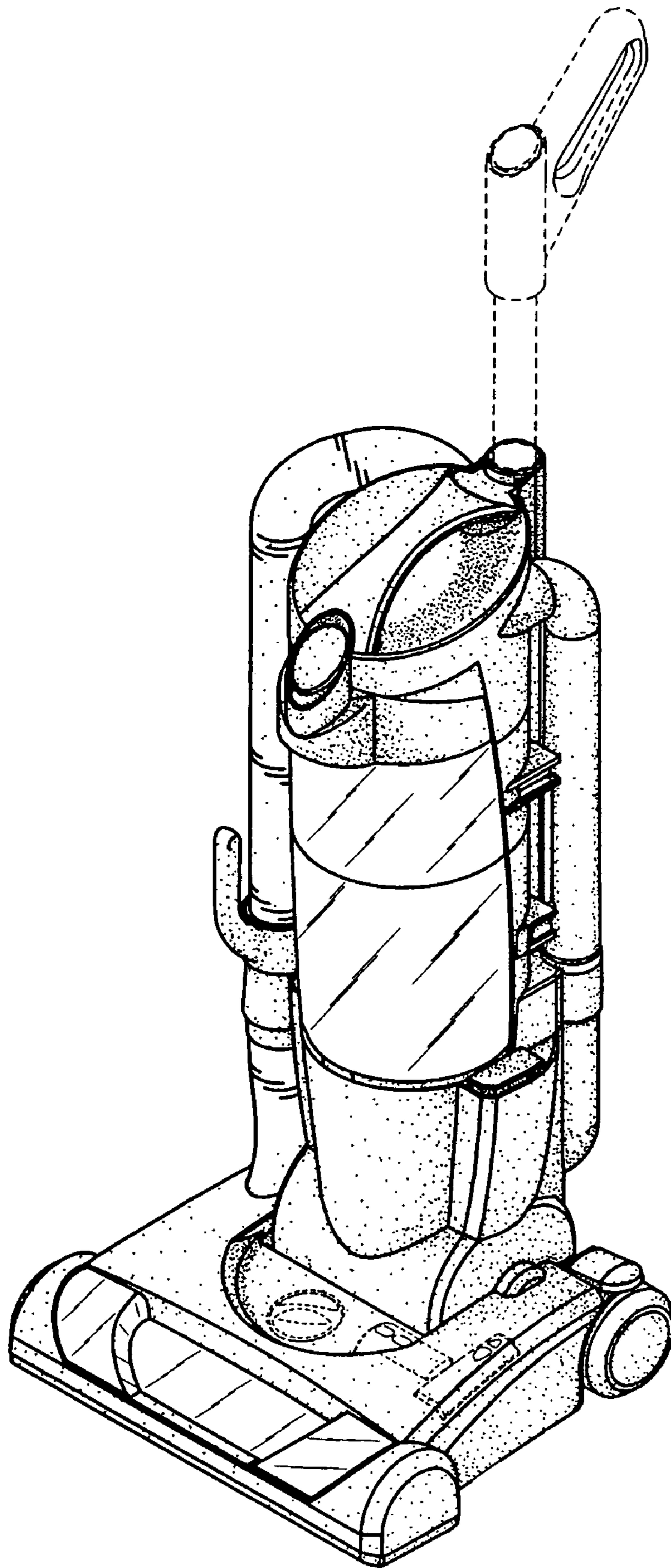


FIG-1

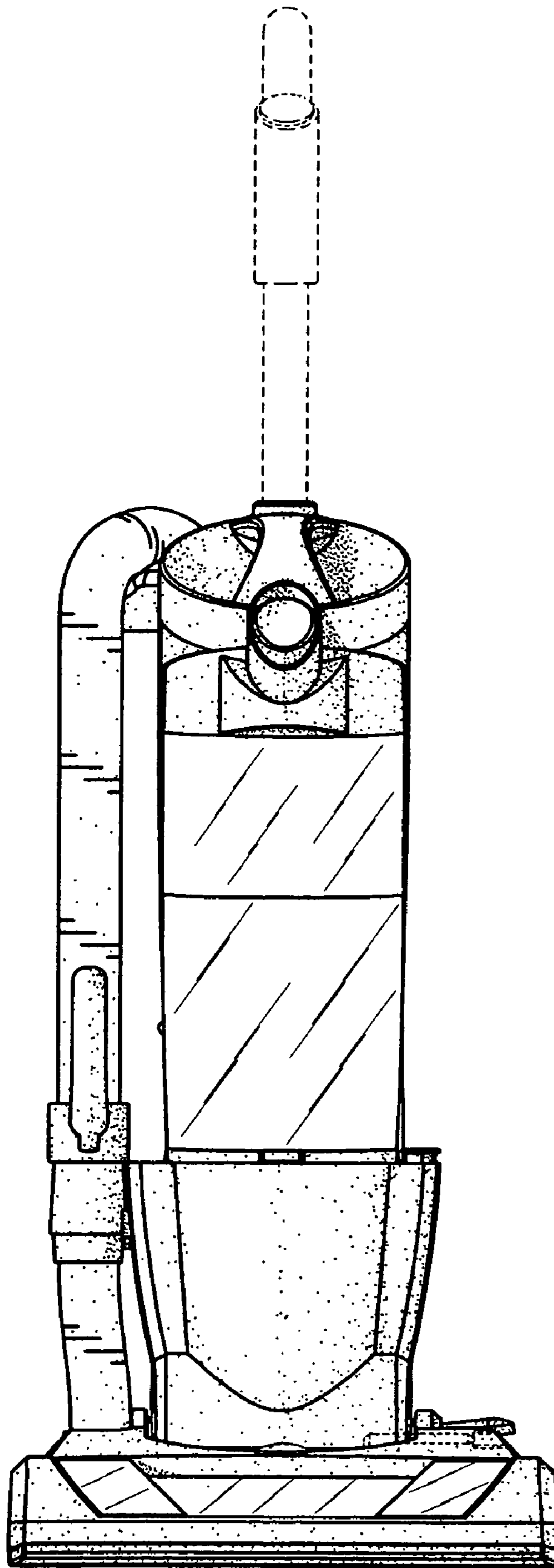


FIG-2

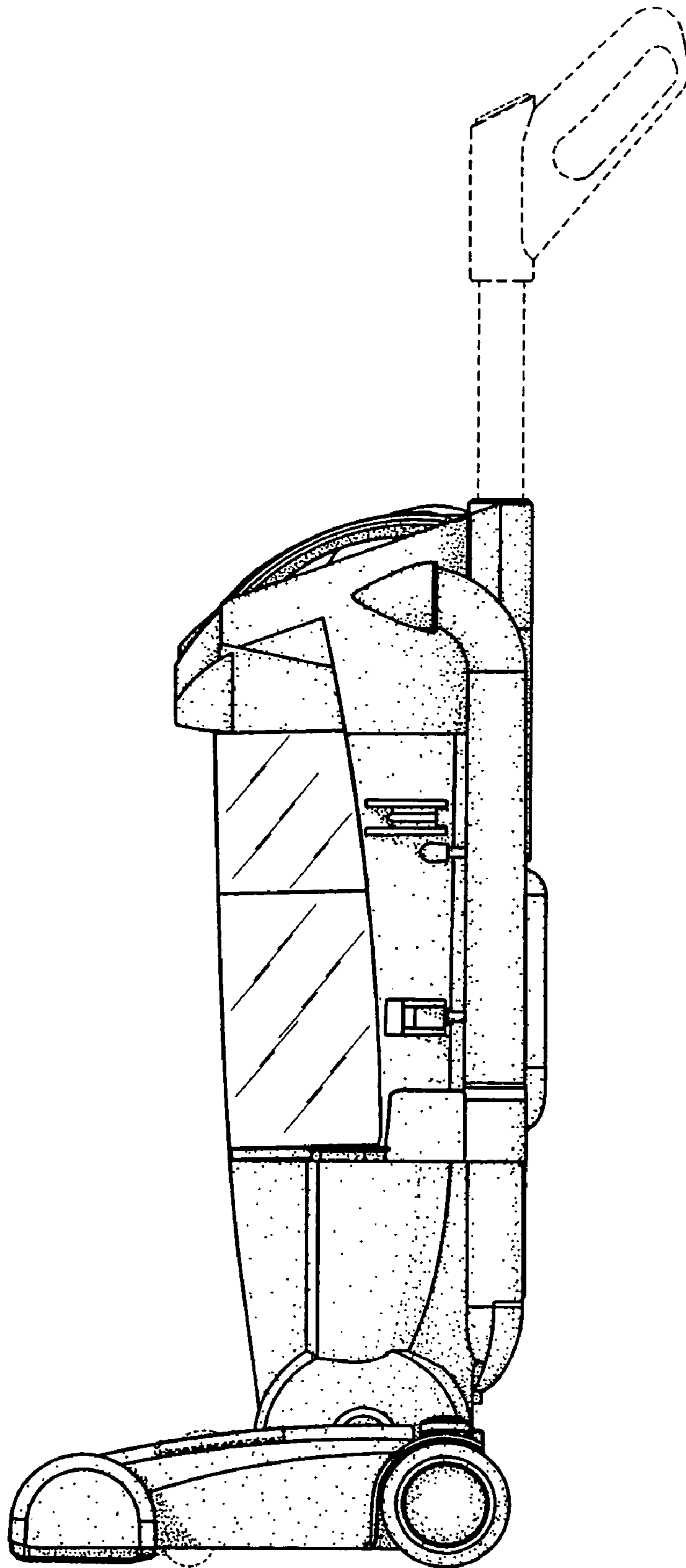


FIG-3

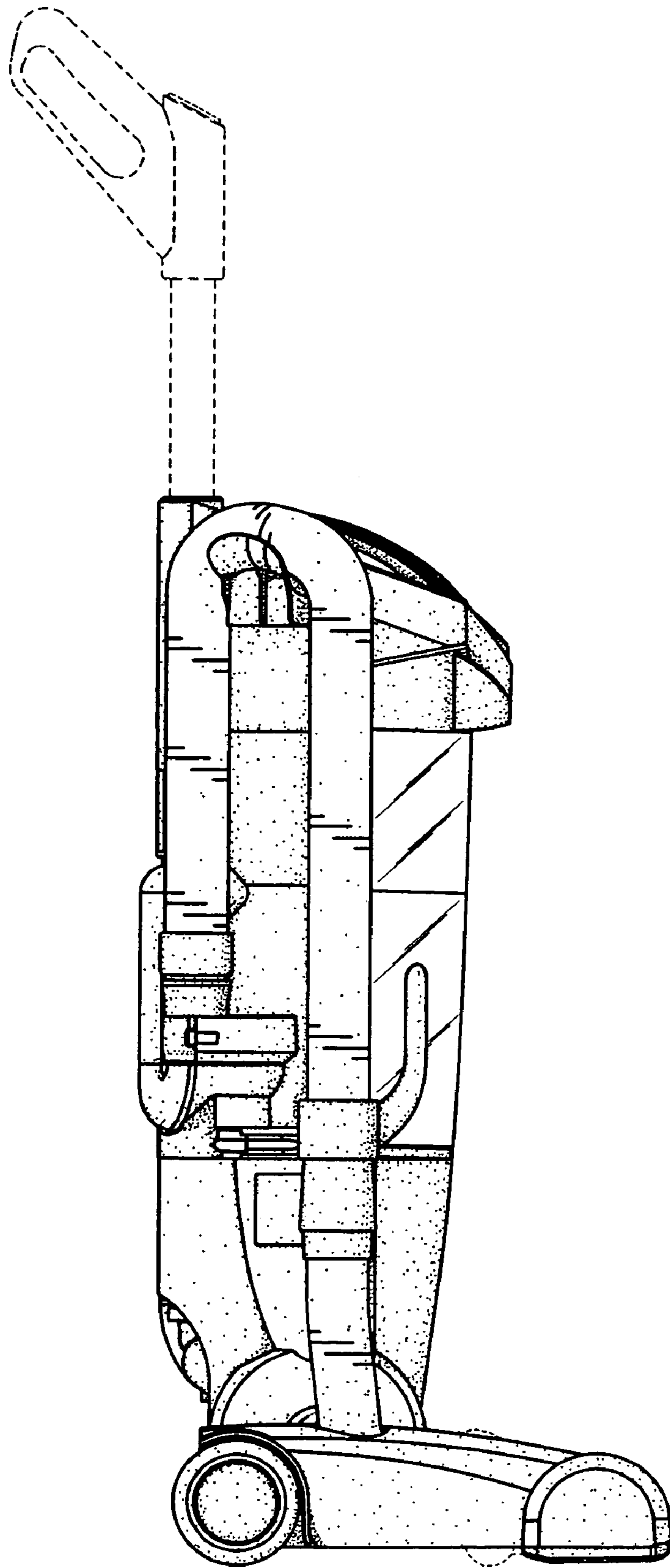


FIG-4

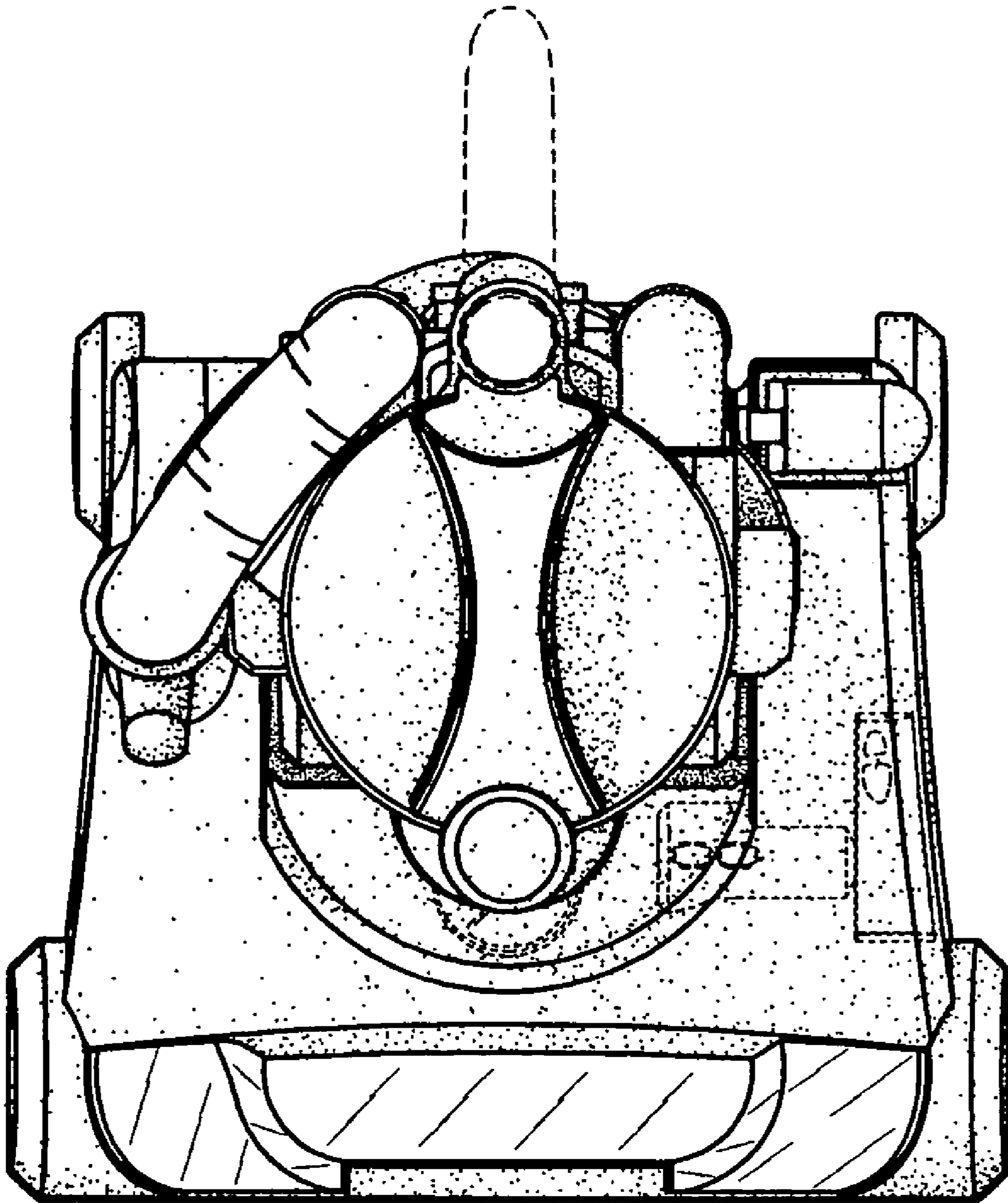


FIG-5

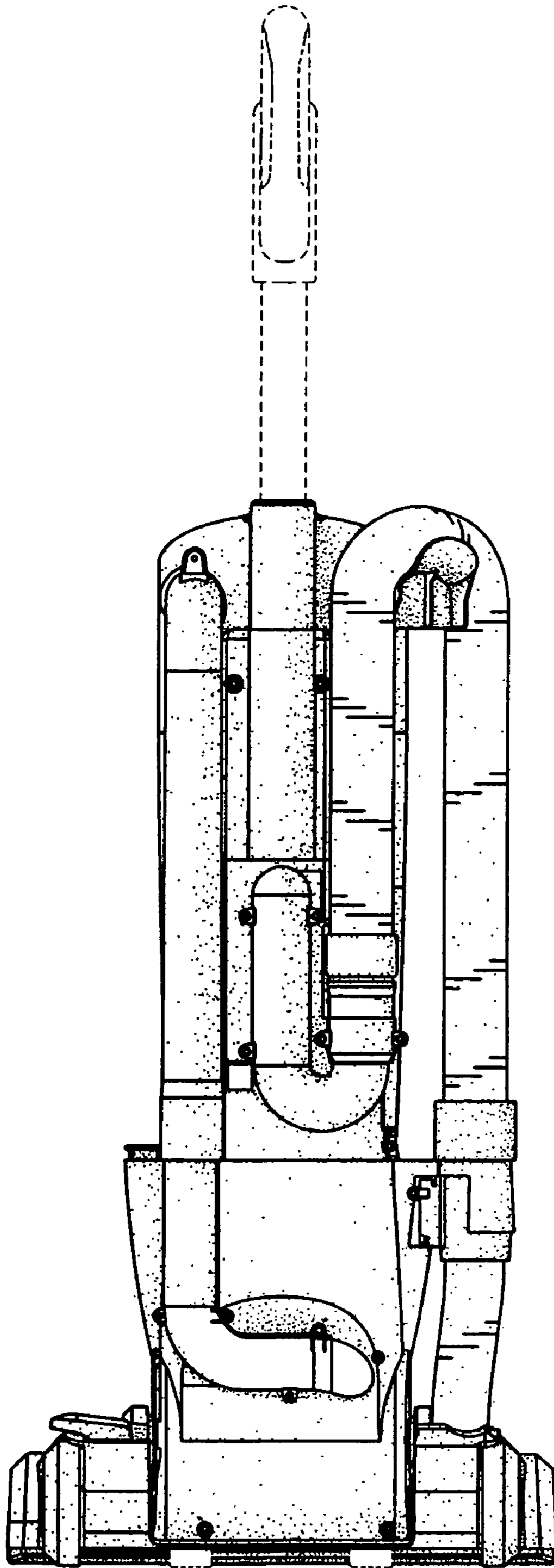


FIG-6