



US00D553810S

(12) **United States Design Patent**
Lau

(10) **Patent No.:** **US D553,810 S**

(45) **Date of Patent:** **** Oct. 23, 2007**

(54) **VACUUM MACHINE**

(75) Inventor: **Tung Yan Lau**, Hong Kong (CN)

(73) Assignee: **Design Manufacture Limited**, Hong Kong (CN)

(**) Term: **14 Years**

(21) Appl. No.: **29/252,969**

(22) Filed: **Feb. 1, 2006**

(51) **LOC (8) Cl.** **15-05**

(52) **U.S. Cl.** **D32/18**

(58) **Field of Classification Search** D32/17,
D32/18, 21-22, 31; 15/1.52, 1.7, 4, 329,
15/339, 344, 347, 351, 353, 361, 410-412,
15/414, DIG. 1; 55/DIG. 3; D13/107-109,
D13/119; 320/115
See application file for complete search history.

(56) **References Cited**

U.S. PATENT DOCUMENTS

3,407,431	A	*	10/1968	Melnik	15/344
D360,502	S	*	7/1995	Hollinger	D32/18
D421,513	S	*	3/2000	Hsu	D32/18
D467,048	S	*	12/2002	Masaki	D32/17
D475,490	S	*	6/2003	Choi	D32/17
D481,841	S	*	11/2003	Hsu	D32/18

OTHER PUBLICATIONS

Handy Vacuum Cleaner, no date. [online]. Retrieved from the Internet on Apr. 26, 2007. <<http://whateverworks.com/itemdy00.asp?c=&T1=K0785&SKW=Cleaning%20Solutions&PageNo=1>>.*

* cited by examiner

Primary Examiner—Ruth McInroy

(57) **CLAIM**

The ornamental design for a vacuum machine, as shown and described.

DESCRIPTION

FIG. 1 is a front elevational view of a vacuum machine showing my new design;

FIG. 2 is a rear elevational view thereof;

FIG. 3 is a left side view thereof;

FIG. 4 is a right side view thereof;

FIG. 5 is a top plan view thereof;

FIG. 6 is a bottom plan view thereof;

FIG. 7 is a front and left-side perspective view thereof;

FIG. 8 is a front and right-side perspective view thereof;

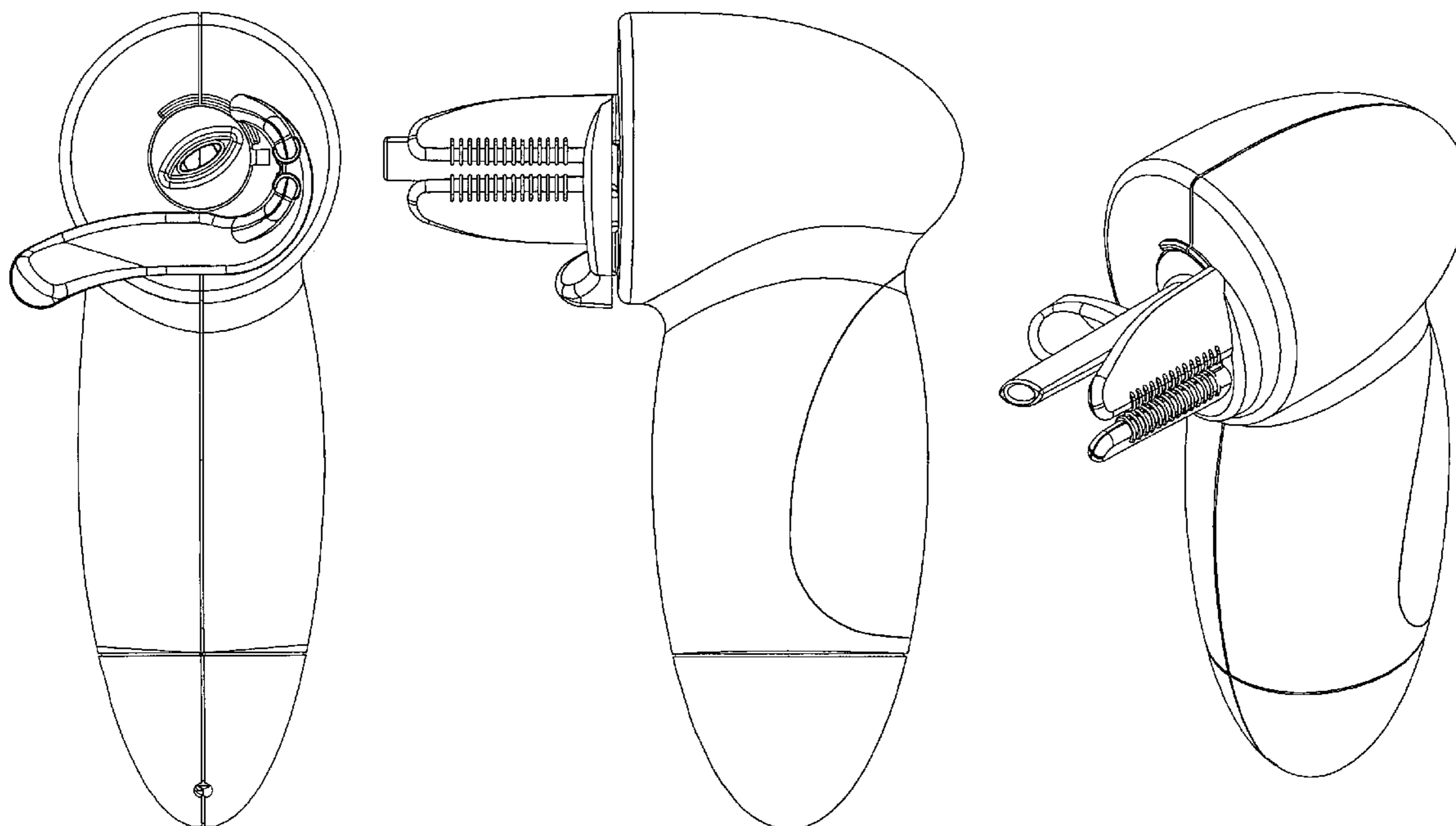
FIG. 9 is a rear and right-side perspective view thereof;

FIG. 10 is a rear and left-side perspective view thereof;

FIG. 11 is a bottom and left-side perspective view thereof; and,

FIG. 12 is a bottom and right-side perspective view thereof.

1 Claim, 7 Drawing Sheets



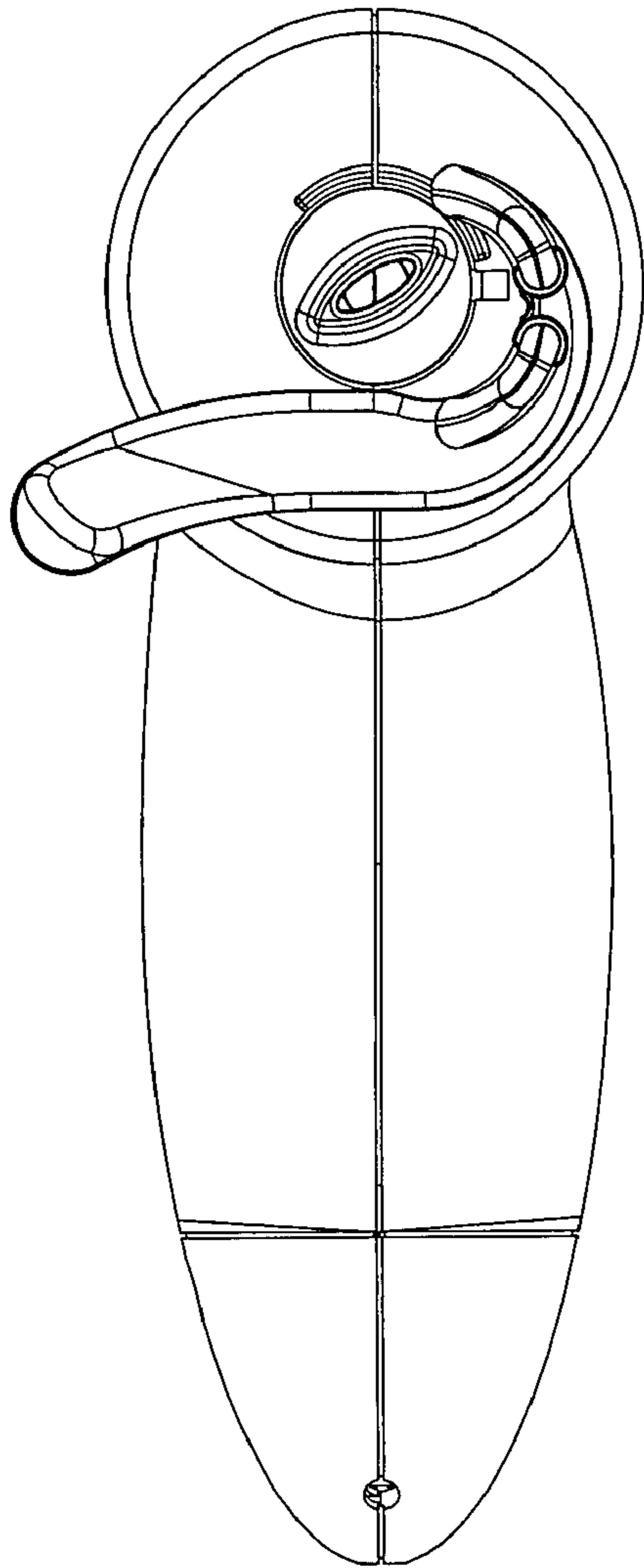


Fig. 1

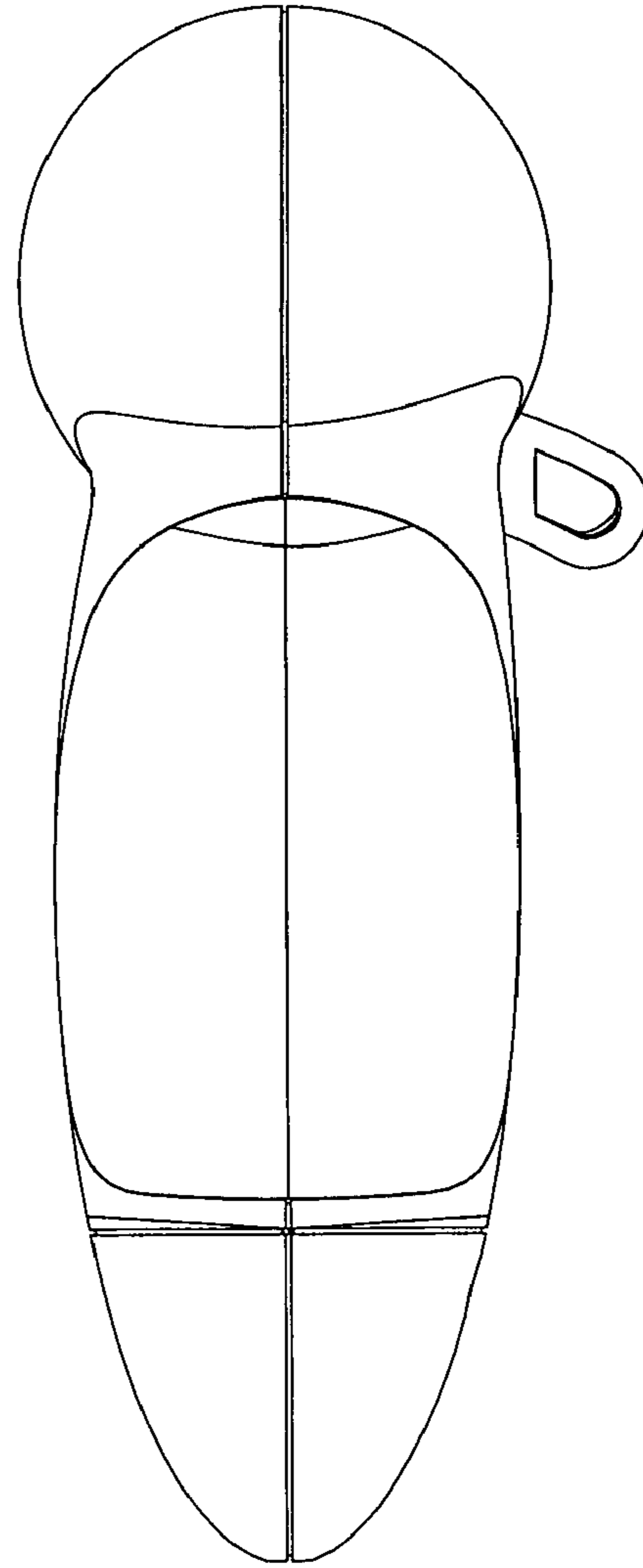


Fig. 2

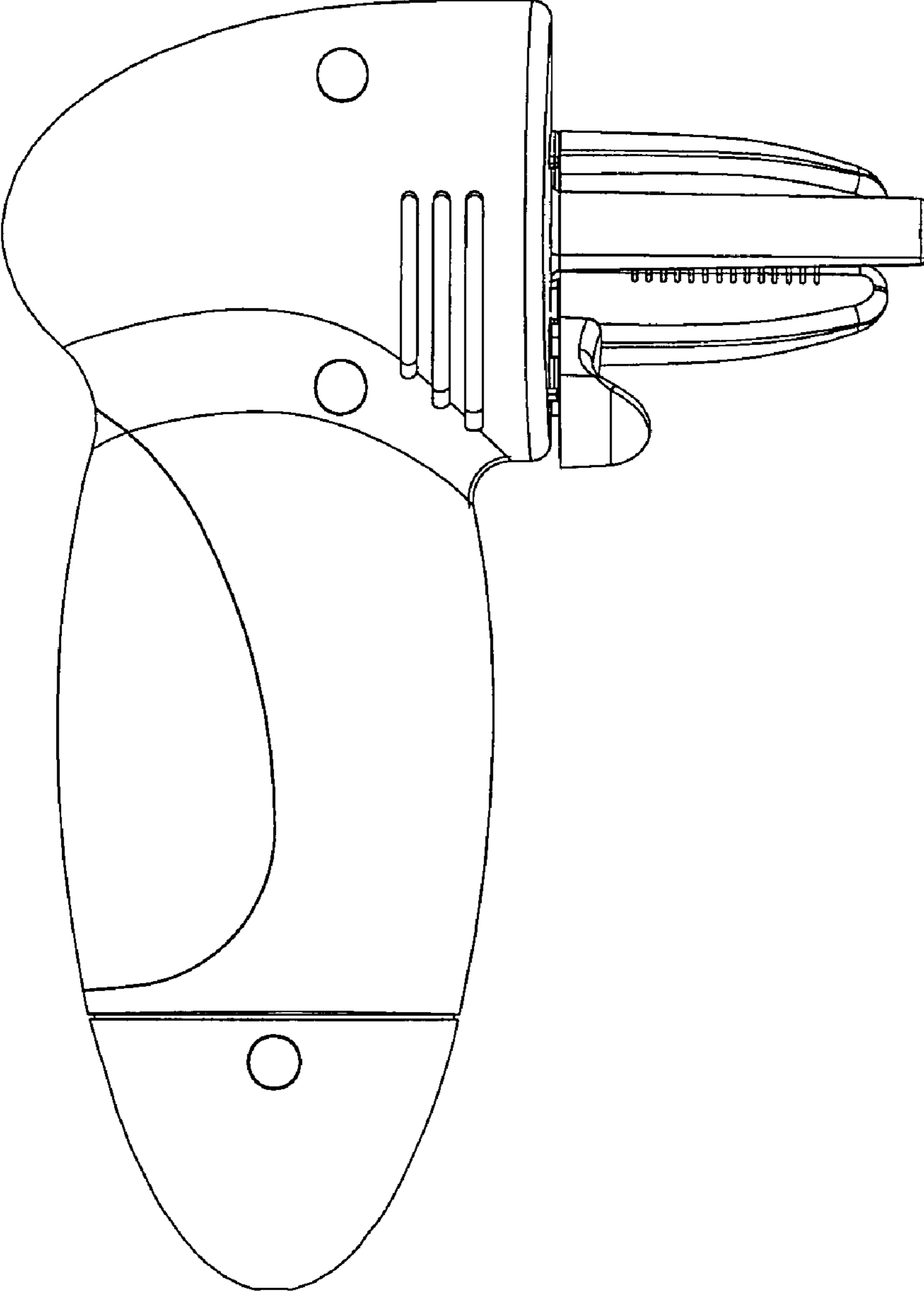


Fig. 3

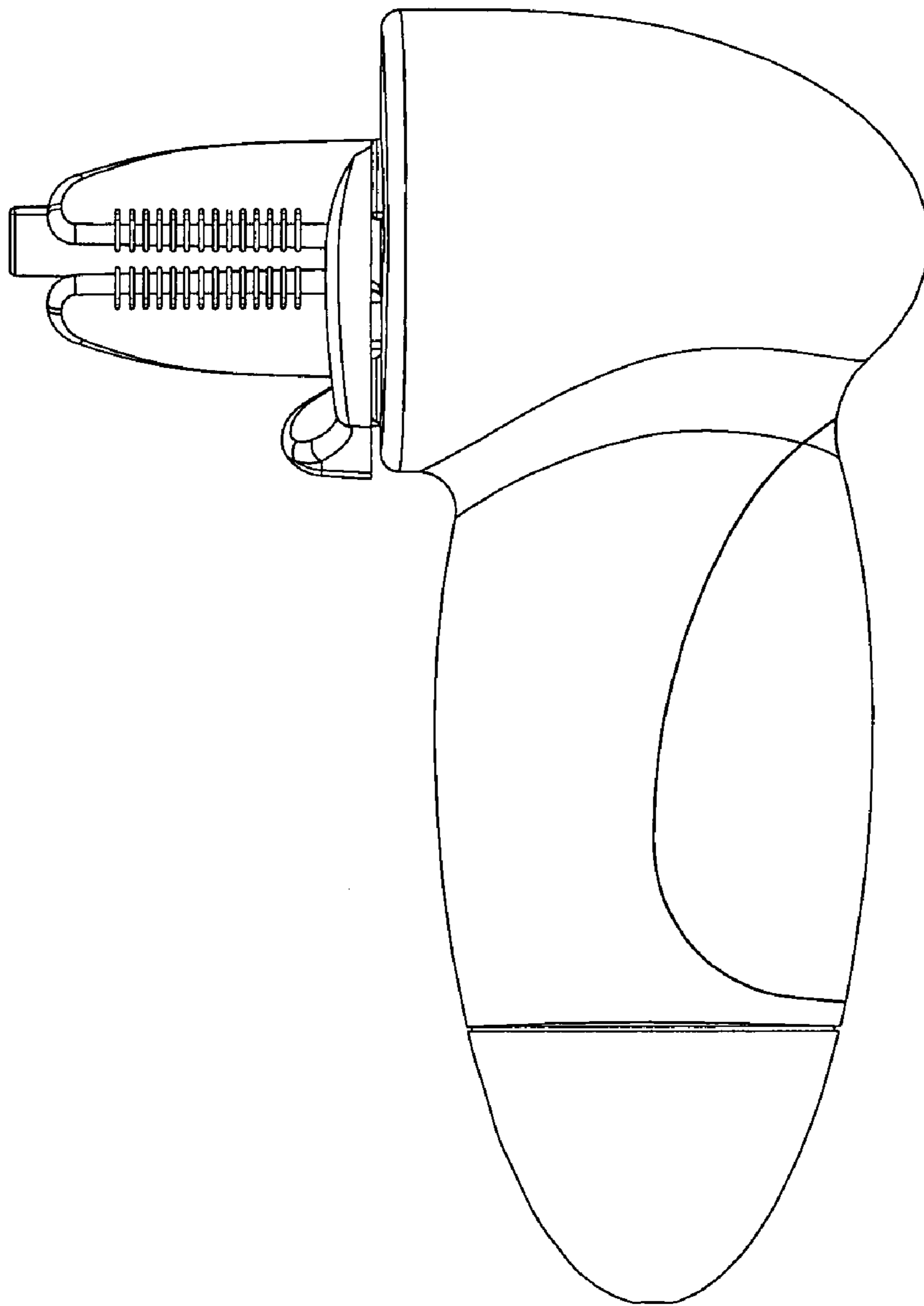


Fig. 4

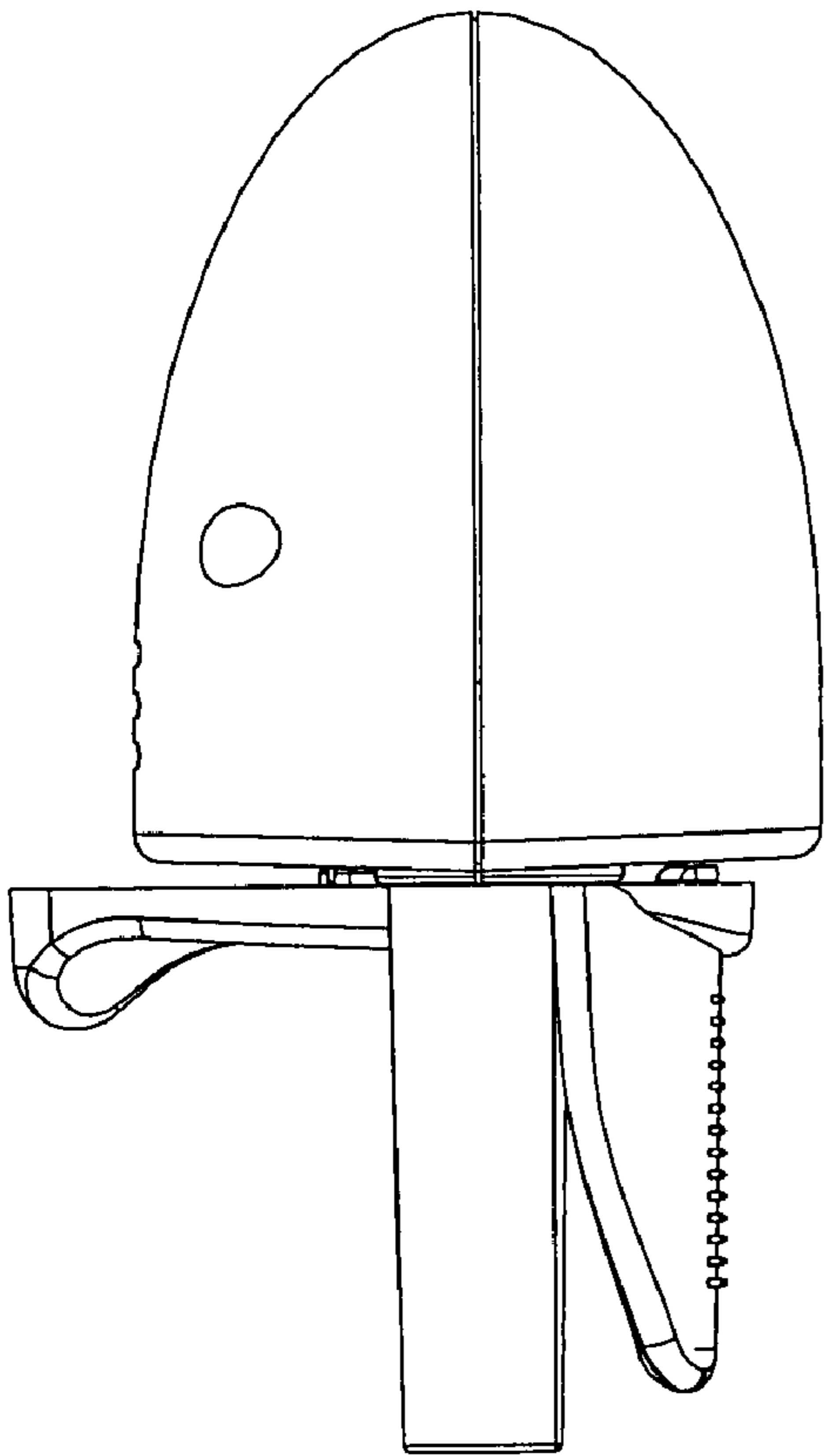


Fig. 5

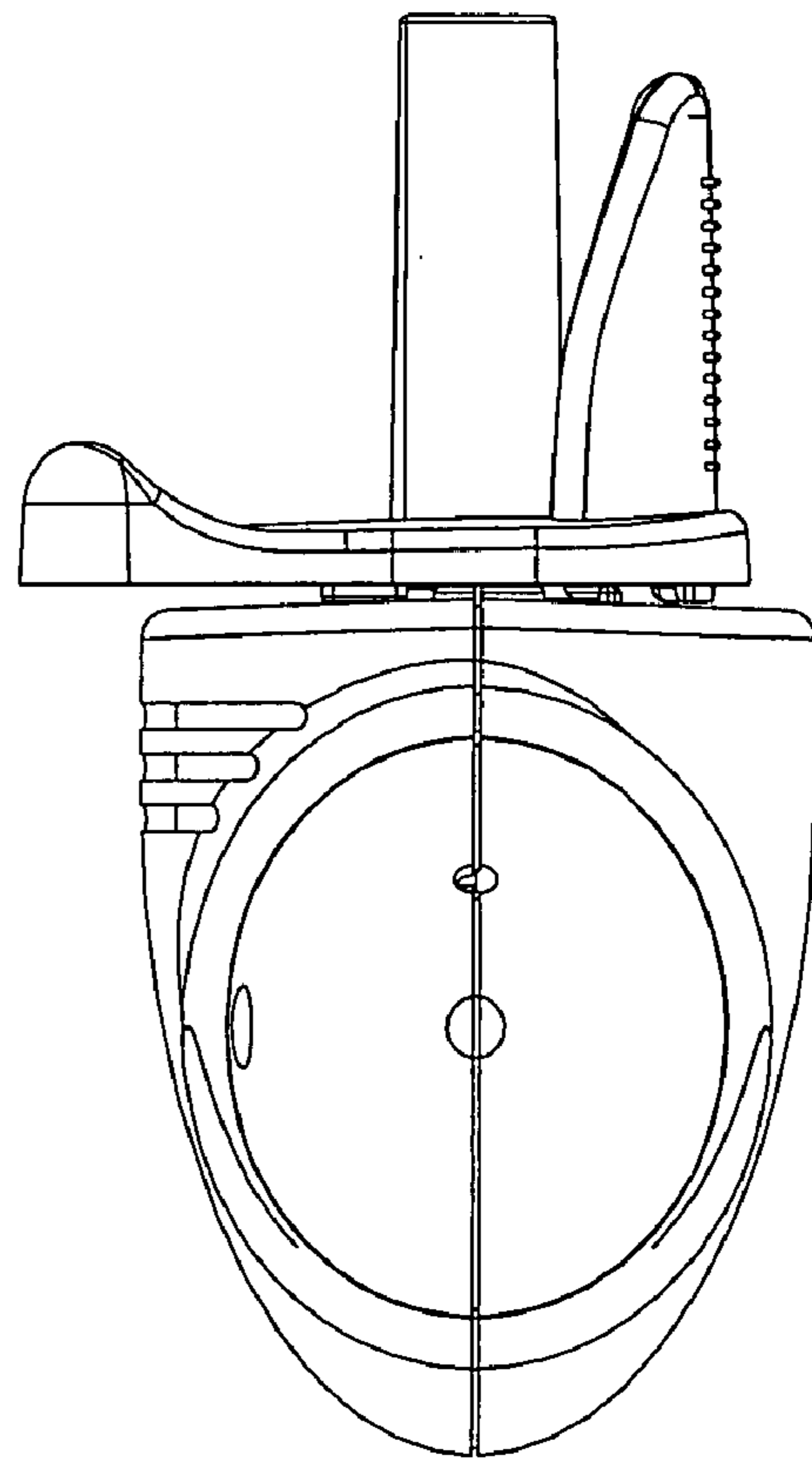


Fig. 6

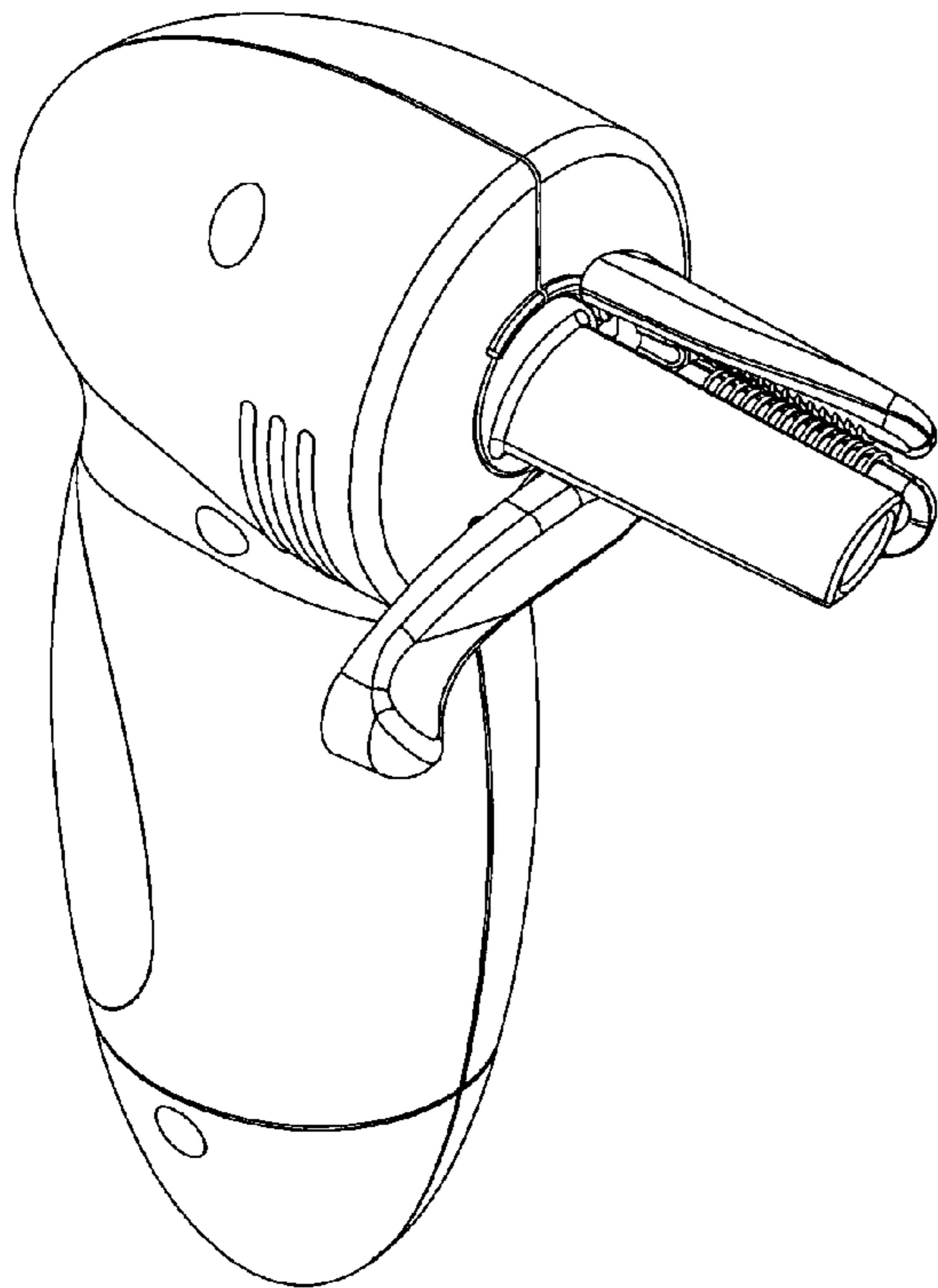


Fig. 7

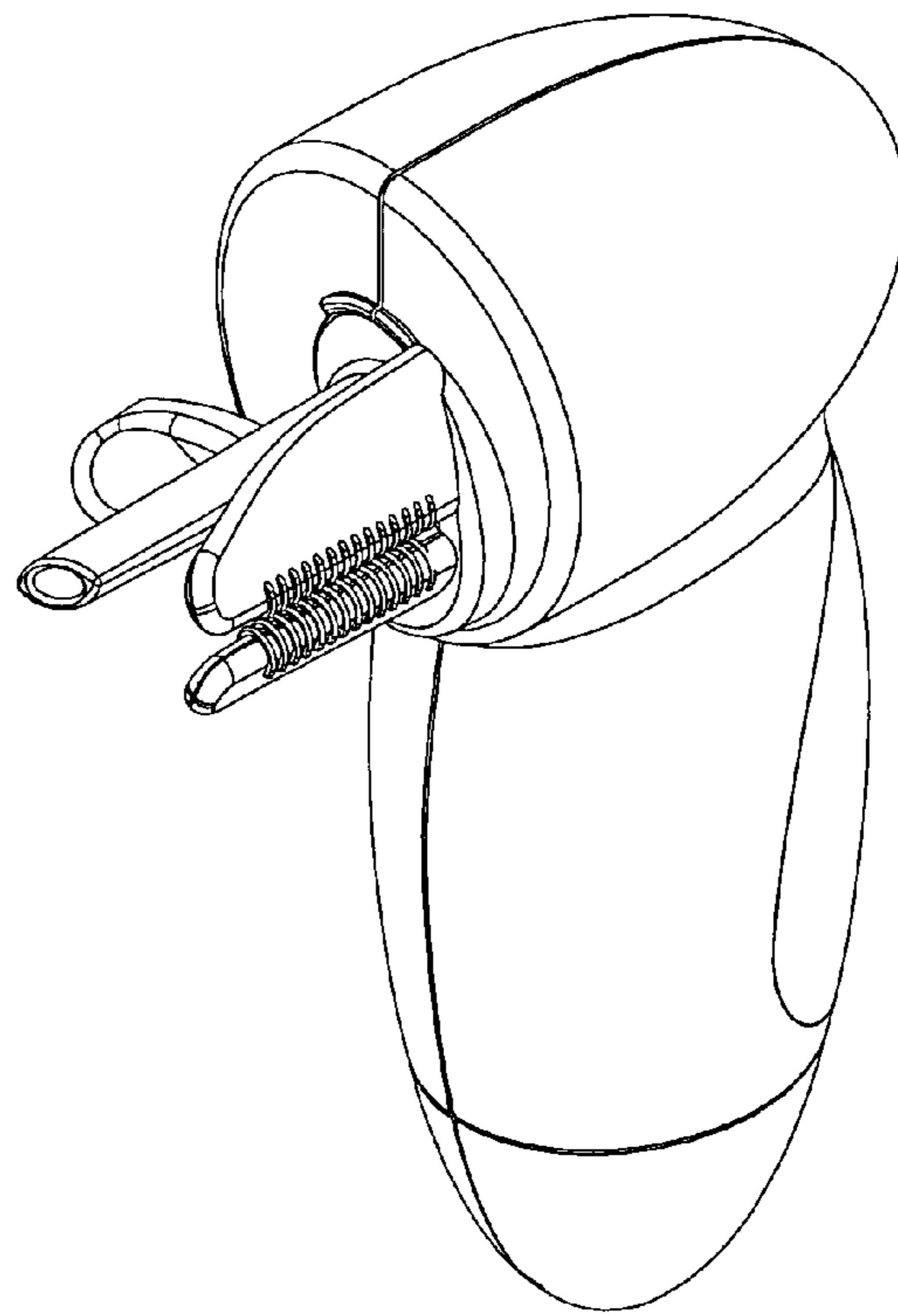


Fig. 8

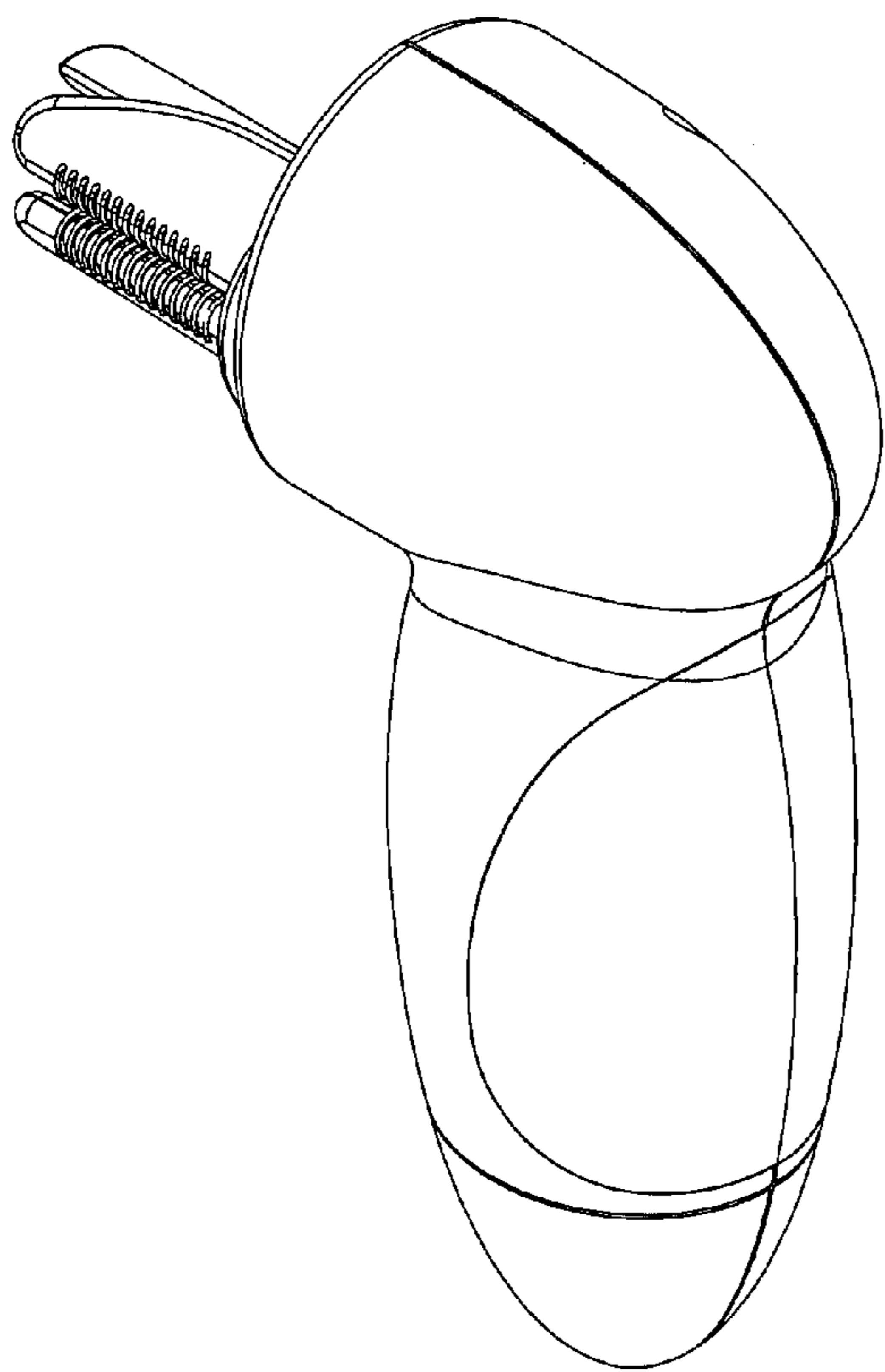


Fig. 9



Fig. 10

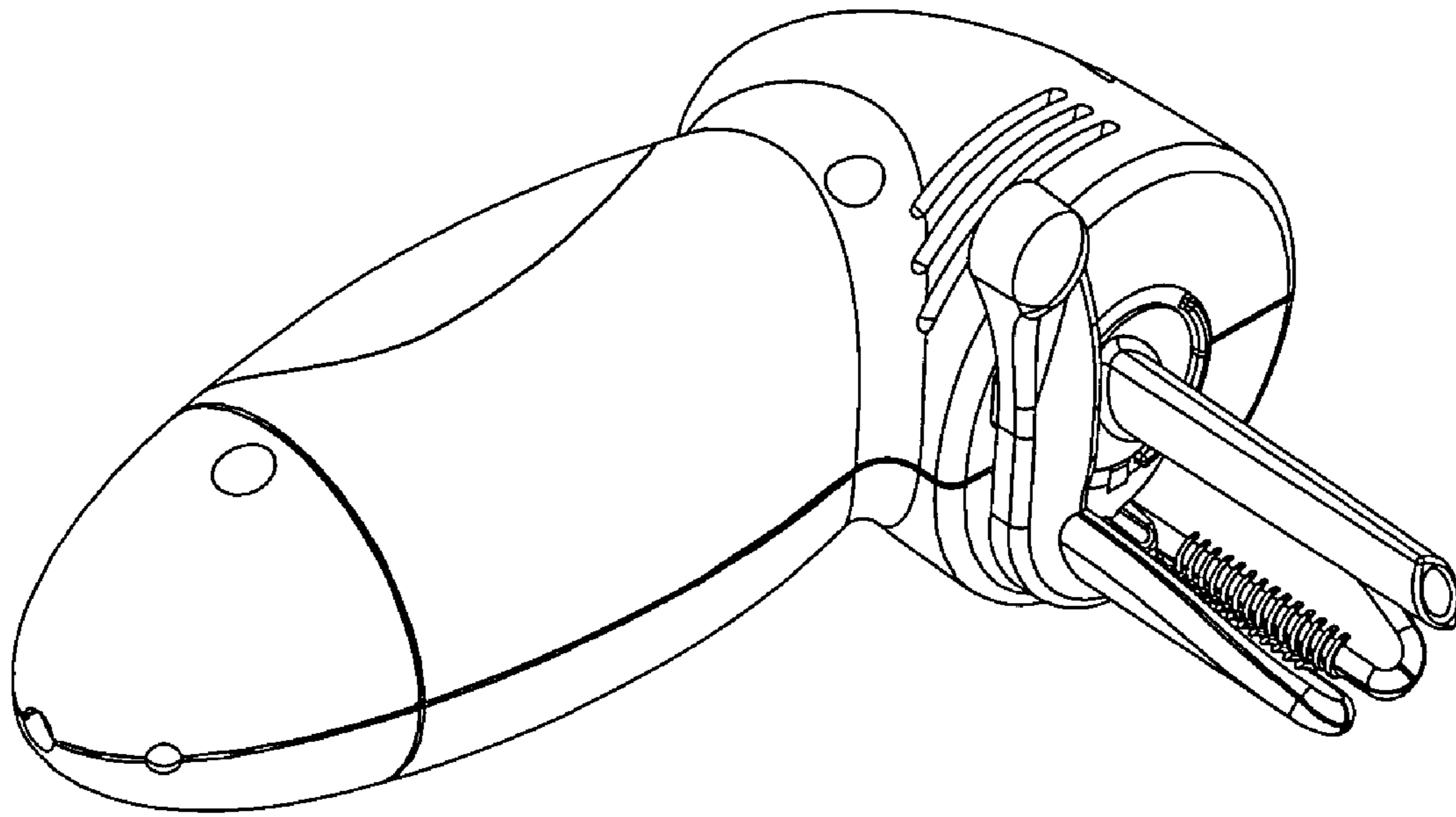


Fig. 11

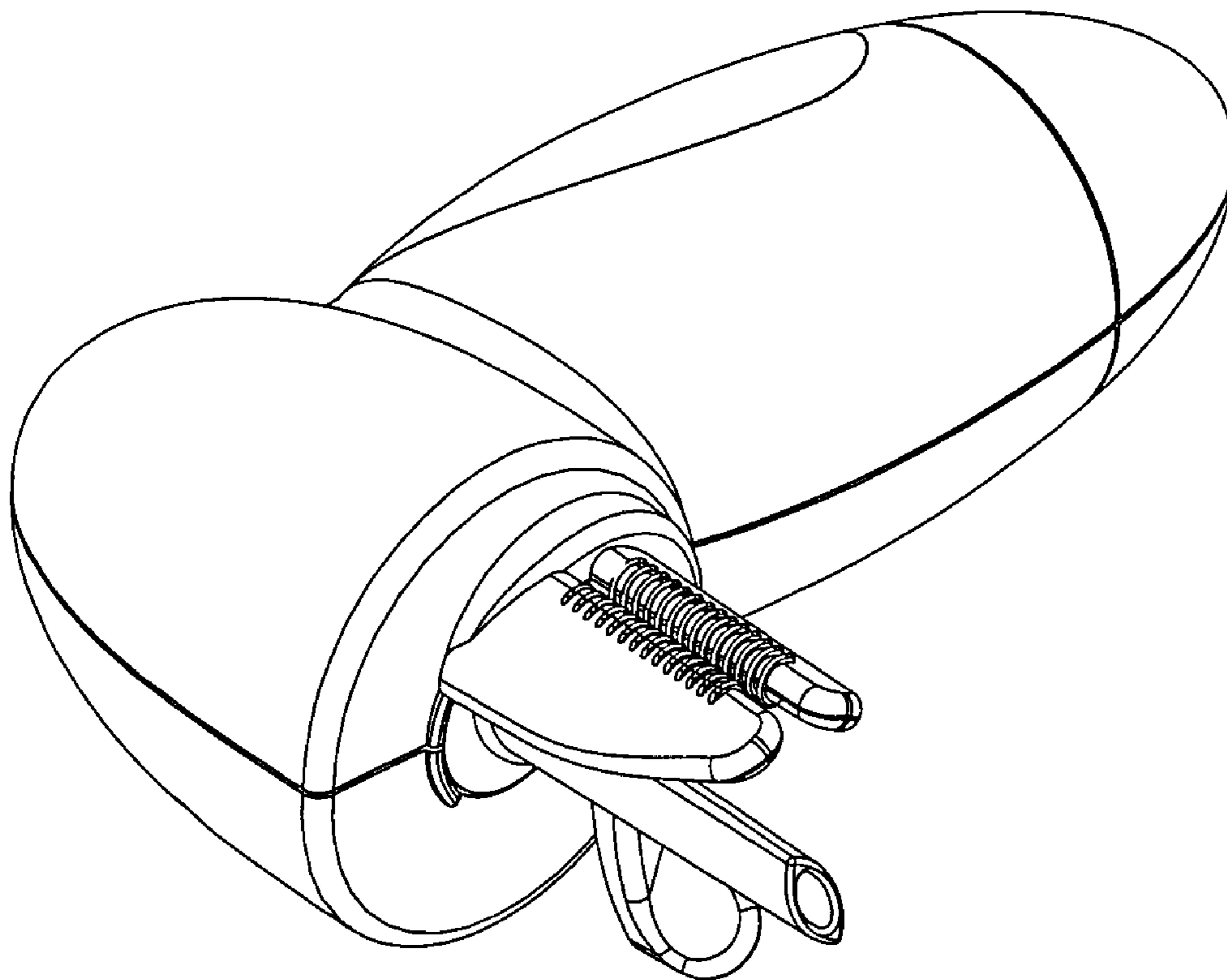


Fig. 12