



US00D553803S

(12) **United States Design Patent**
Keen

(10) **Patent No.:** **US D553,803 S**
(45) **Date of Patent:** **** Oct. 23, 2007**

(54) **WRESTLING HEADGEAR**

(76) Inventor: **James Keen**, 4480 Varsity Dr., Ste. B.,
Ann Arbor, MI (US) 48108

(**) Term: **14 Years**

(21) Appl. No.: **29/259,780**

(22) Filed: **May 15, 2006**

(51) **LOC (8) Cl.** **29-02**

(52) **U.S. Cl.** **D29/112**

(58) **Field of Classification Search** D29/102-108,
D29/112, 122; D24/189, 191; 2/455, 410-411,
2/414, 421, 423-425, 9, 206, 209, 909; 128/889,
128/857, 864, 866-867

See application file for complete search history.

(56) **References Cited**

U.S. PATENT DOCUMENTS

4,551,861	A	11/1985	Marchello	
4,710,985	A	12/1987	Dubner et al.	
5,504,945	A	4/1996	Purnell	
D384,774	S *	10/1997	Tsujino	D29/106
5,881,393	A	3/1999	Marchello	
6,058,516	A	5/2000	Purnell	
D429,035	S *	8/2000	Purnell	D29/106
D443,729	S *	6/2001	Tsujino	D29/112

D444,270	S *	6/2001	Tsujino	D29/112
D469,928	S	2/2003	Keen et al.	
D478,692	S *	8/2003	Gessner	D29/112
6,782,558	B1	8/2004	Keen, Sr. et al.	
D500,894	S *	1/2005	Coutant et al.	D29/106

* cited by examiner

Primary Examiner—Ruth McInroy
(74) *Attorney, Agent, or Firm*—Butzel Long

(57) **CLAIM**

I claim the ornamental design for a wrestling headgear, as shown and described.

DESCRIPTION

FIG. 1 is a perspective view of the wrestling headgear showing my design;
FIG. 2 is a front elevational view thereof;
FIG. 3 is a back elevational view thereof;
FIG. 4 is a top view thereof;
FIG. 5 is a bottom view thereof;
FIG. 6 is a left side elevational view thereof; and,
FIG. 7 is a right side elevational view thereof.

1 Claim, 7 Drawing Sheets

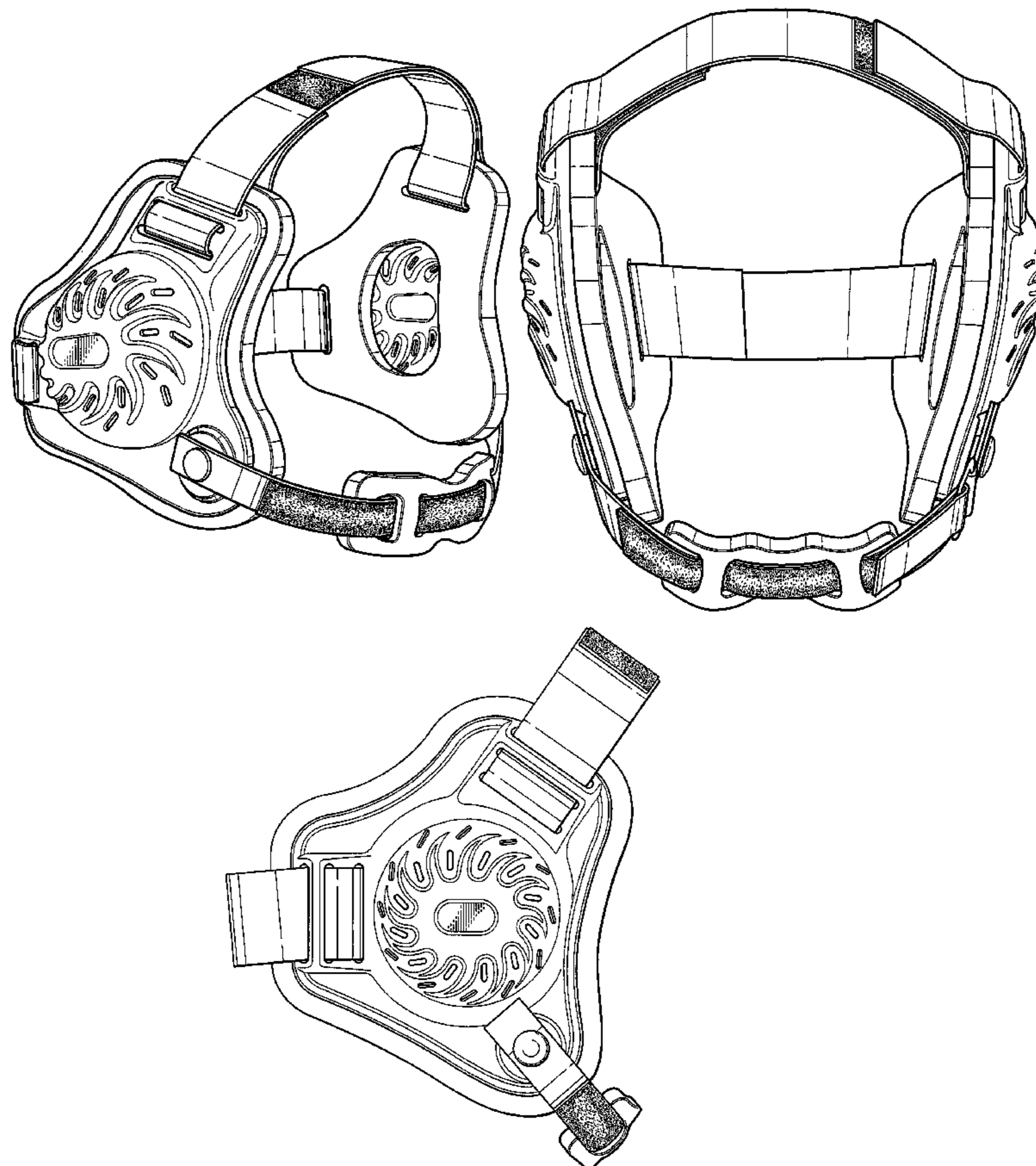
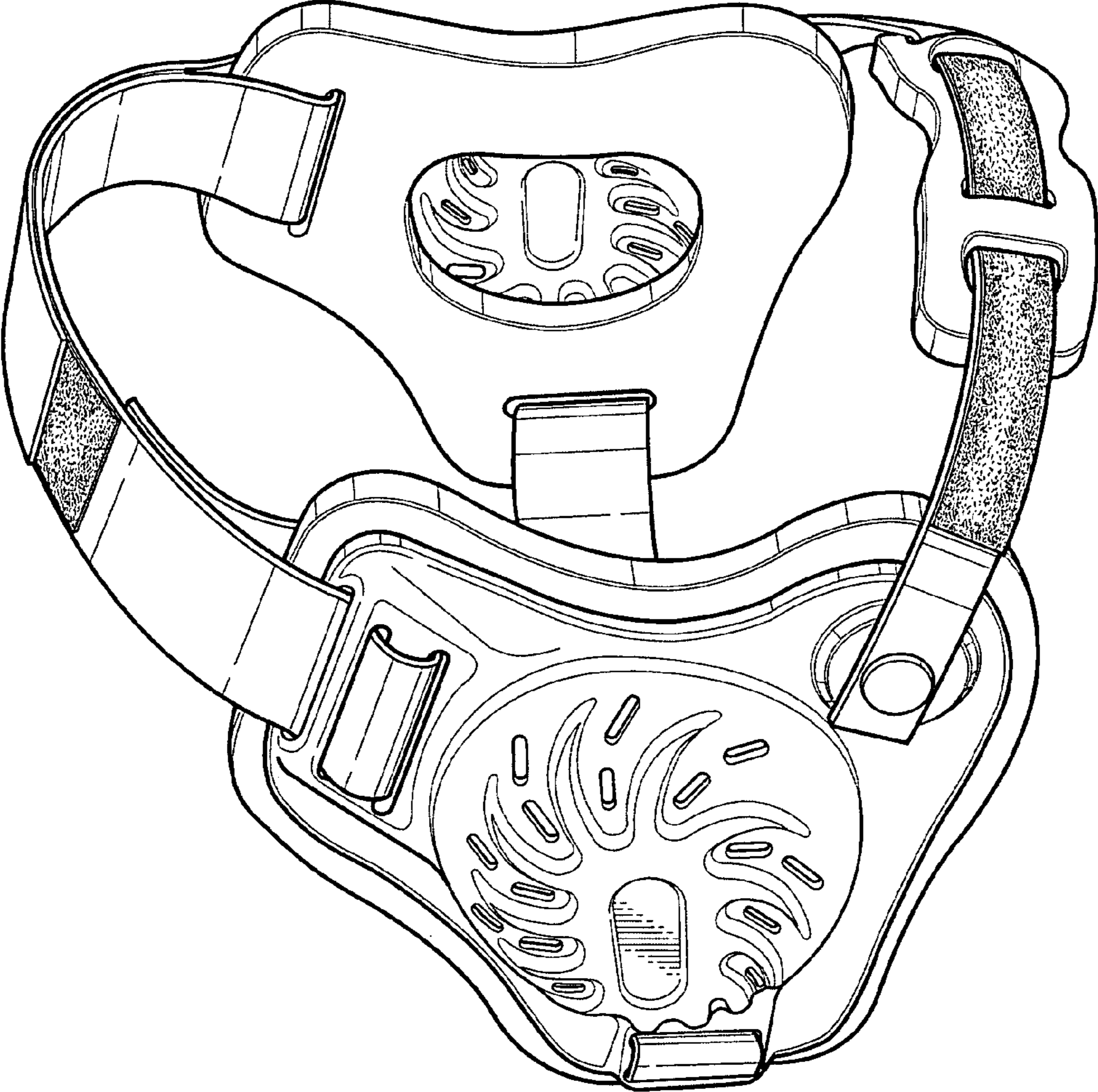


FIG - 1



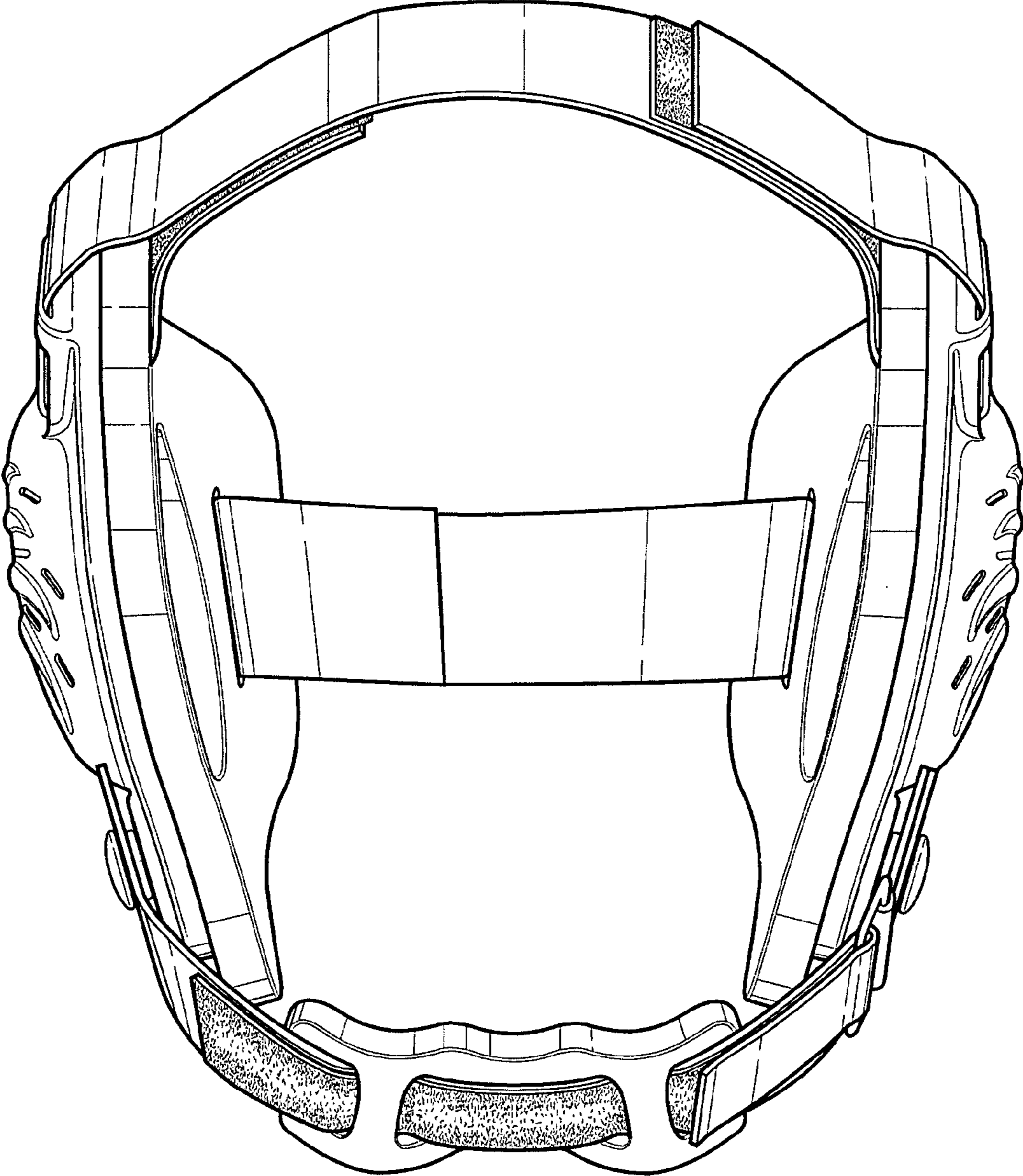


FIG - 2

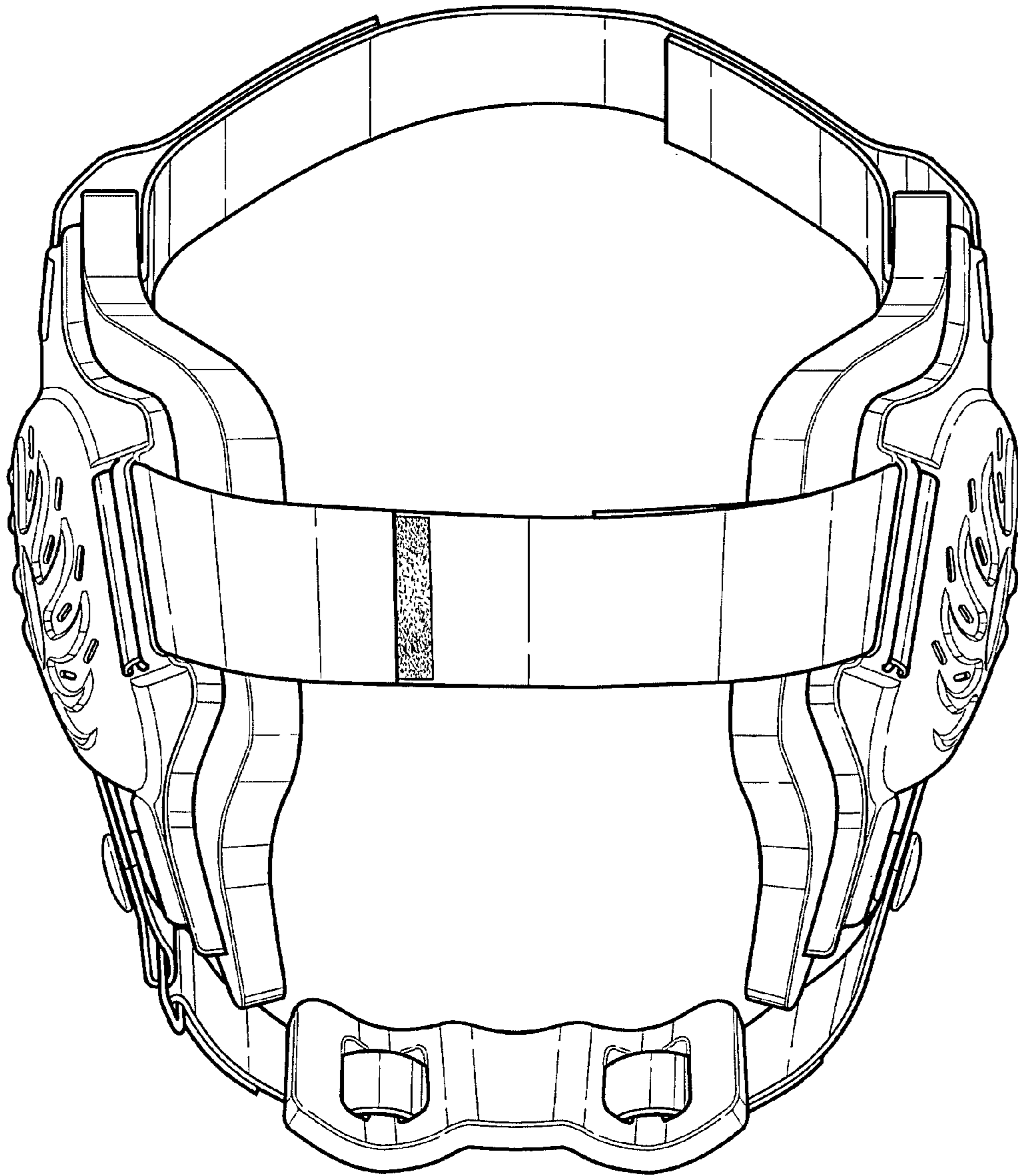


FIG - 3

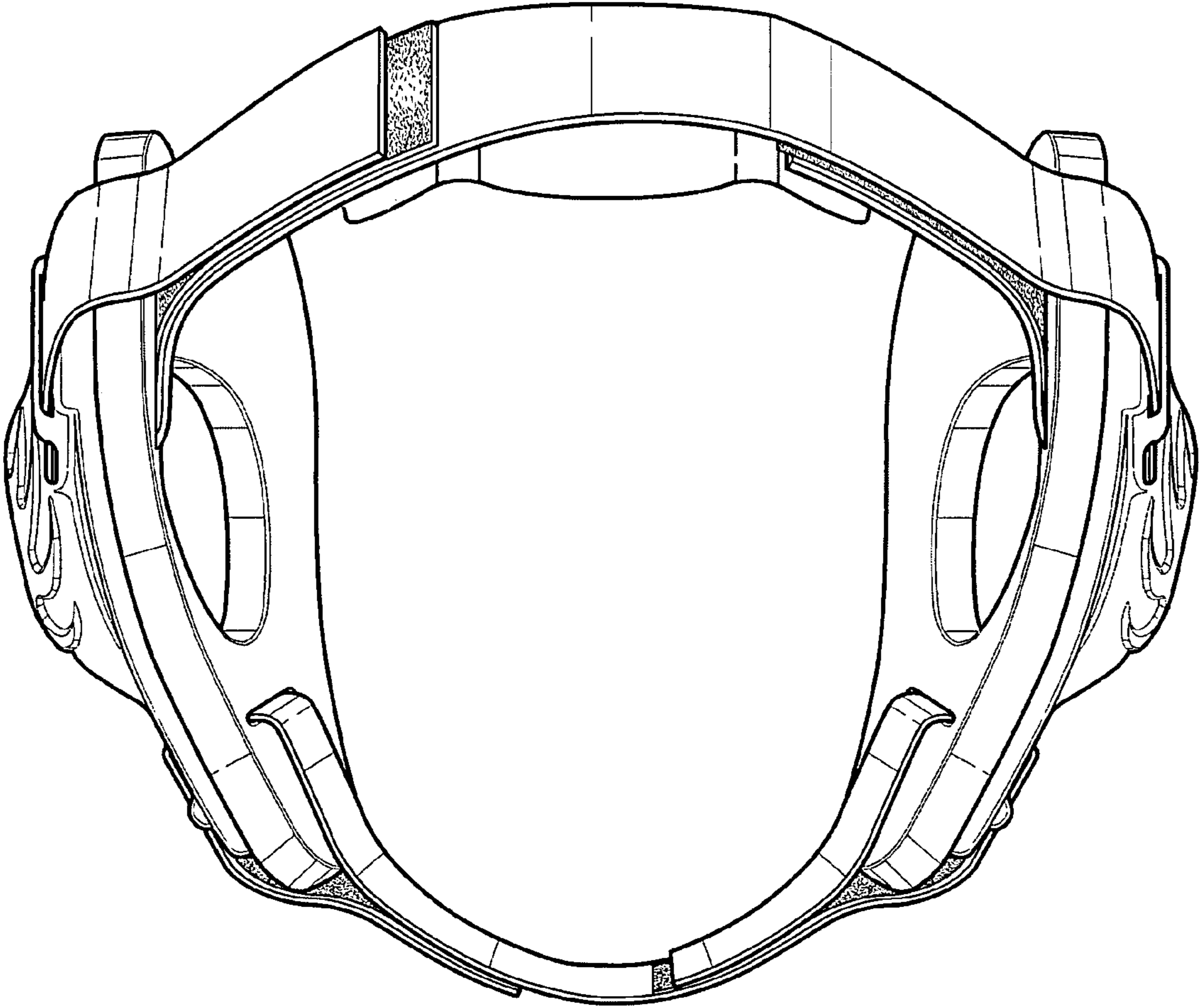


FIG - 4

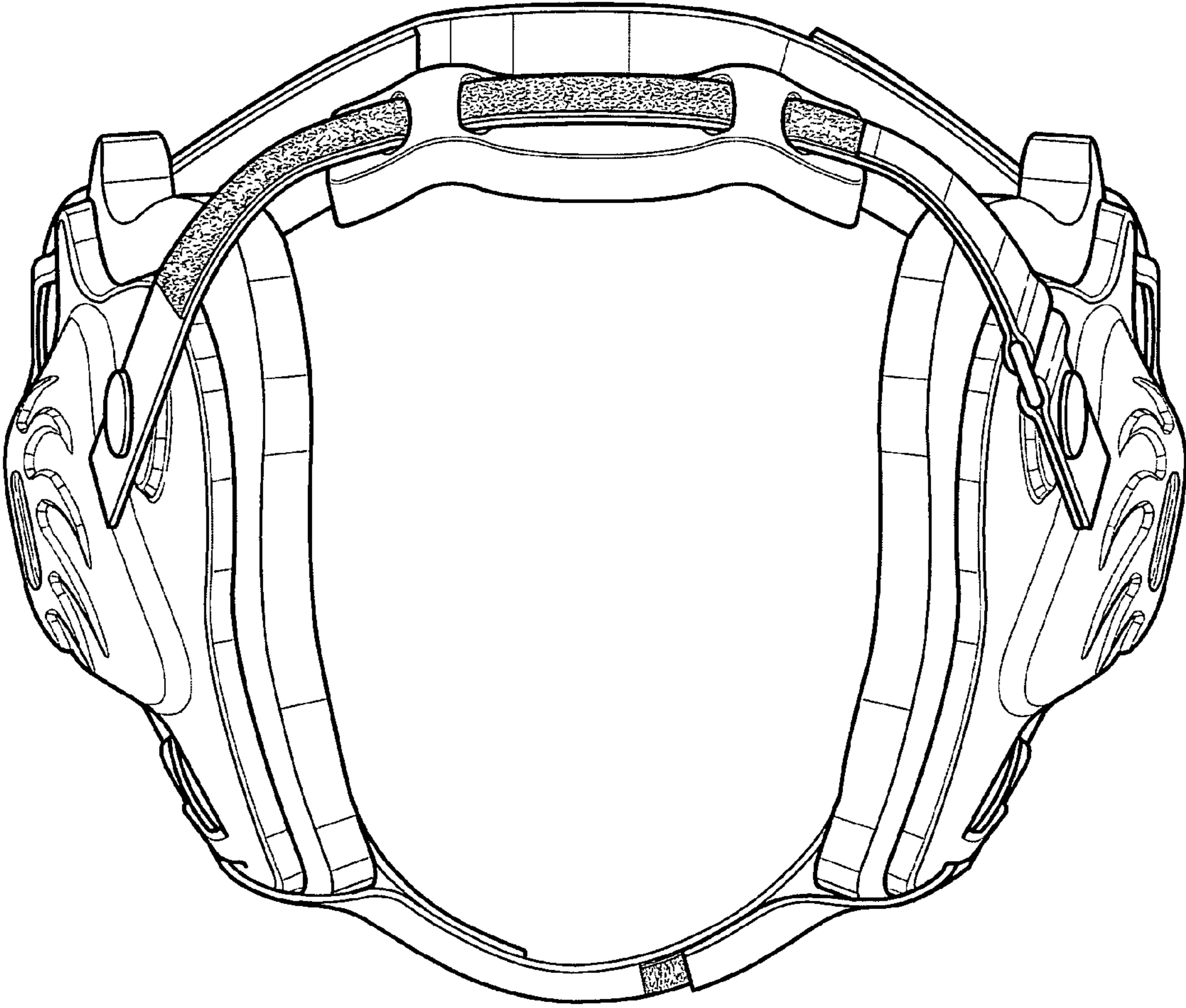


FIG - 5

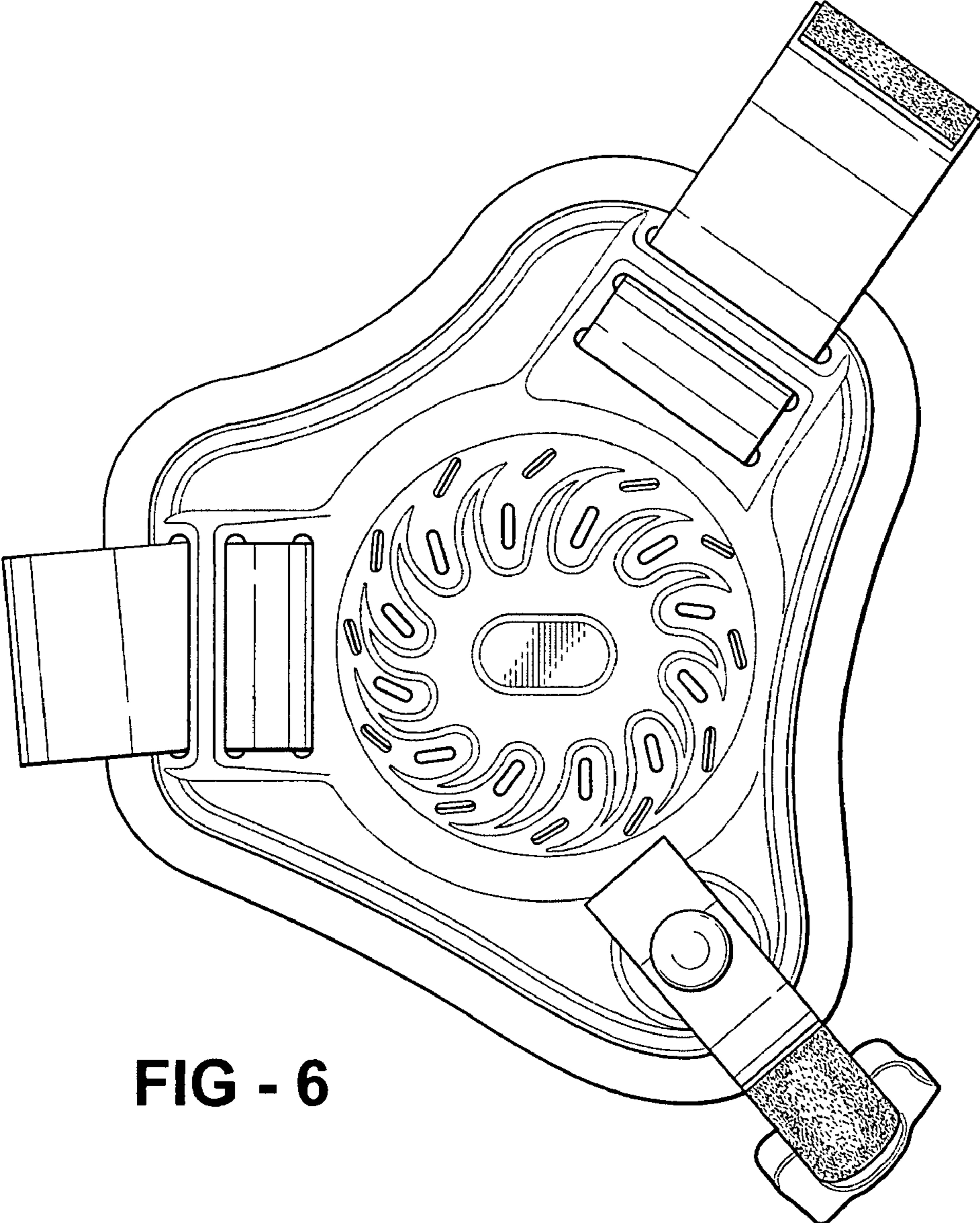


FIG - 6

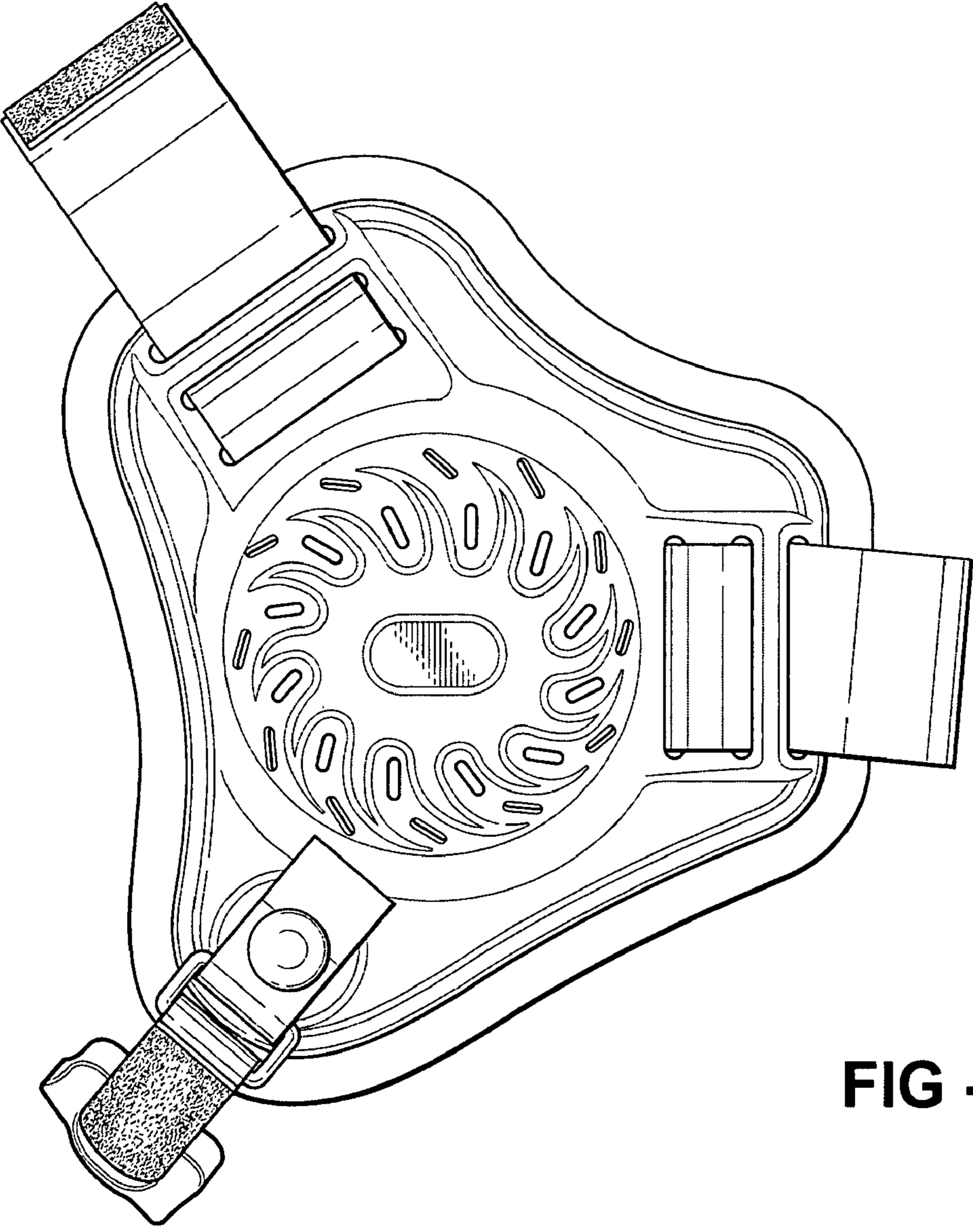


FIG - 7