

US00D553801S

(12) **United States Design Patent**
Palasini

(10) **Patent No.:** **US D553,801 S**

(45) **Date of Patent:** **** Oct. 23, 2007**

(54) **SUPPORT STRAP**

(76) Inventor: **Guido A. Palasini**, 125 Palasini Rd.,
LeLand, MS (US) 38756

(**) Term: **14 Years**

(21) Appl. No.: **29/230,954**

(22) Filed: **May 27, 2005**

(51) **LOC (8) Cl.** **30-04**

(52) **U.S. Cl.** **D29/101.1**

(58) **Field of Classification Search** D29/100,
D29/100.1, 101.2, 101.4, 124; D21/683;
D30/152; 2/311; 119/770; 182/3-6, 9,
182/133; 244/151 R; 297/485

See application file for complete search history.

(56) **References Cited**

U.S. PATENT DOCUMENTS

1,504,030	A *	8/1924	Dettweiler	182/9
1,721,516	A *	7/1929	Jacobs	182/9
1,802,288	A *	4/1931	Strauss	182/9
1,882,381	A *	10/1932	Davis	24/194
1,971,571	A *	8/1934	McMullen	182/9
2,152,049	A *	3/1939	Hedrick	182/9
3,407,898	A *	10/1968	Johnson	182/9
3,415,340	A	12/1968	Kinkade		
3,840,091	A *	10/1974	Conlon	182/9
3,869,021	A	3/1975	Sutherland et al.		
4,347,914	A	9/1982	Gary		
4,425,982	A	1/1984	Kibbie		
4,579,196	A *	4/1986	Allen et al.	182/9
4,687,074	A	8/1987	Green		
4,712,513	A	12/1987	Huppertsberg		
4,712,646	A *	12/1987	Page	182/9
4,951,778	A *	8/1990	Halvorson	182/9
5,141,074	A *	8/1992	Sulowski et al.	182/9
5,180,030	A	1/1993	Smaby		
5,184,696	A *	2/1993	Meed et al.	182/9
5,222,991	A *	6/1993	Bell	182/9
5,228,412	A	7/1993	Bell		
5,341,896	A	8/1994	Amacker		
5,507,362	A	4/1996	Krueger		
5,921,345	A	7/1999	Cheng		
D427,380	S *	6/2000	Robertson	D29/101.1
6,106,631	A	8/2000	Inoue et al.		

6,125,966	A	10/2000	Jones		
6,223,854	B1	5/2001	Nolz		
6,390,234	B1	5/2002	Boyer		
6,397,389	B1	6/2002	Schultz		
6,637,547	B1	10/2003	Wydner		
6,644,438	B1 *	11/2003	Chang et al.	182/9
6,739,427	B2	5/2004	Gayetty		
6,752,242	B1 *	6/2004	Whitehead et al.	182/9
6,973,995	B1 *	12/2005	Diggle, III et al.	182/9
2003/0192738	A1	10/2003	Gayetty		

OTHER PUBLICATIONS

U.S. Appl. No. 29/230,953, Palasini.

(Continued)

Primary Examiner—T. Chase Nelson

Assistant Examiner—Karen Acker

(74) *Attorney, Agent, or Firm*—Baker, Donelson, Bearman,
Caldwell & Berkowitz, PC; Lea H. Speed; Peter L. Brewer

(57) **CLAIM**

I claim the ornamental design for a support strap, as shown and described.

DESCRIPTION

FIG. 1 provides a perspective view of the support strap.

FIG. 2 shows a top view of the support strap of FIG. 1.

FIG. 3 presents a first side view of the support strap.

FIG. 4 presents a second opposing side view of the support strap.

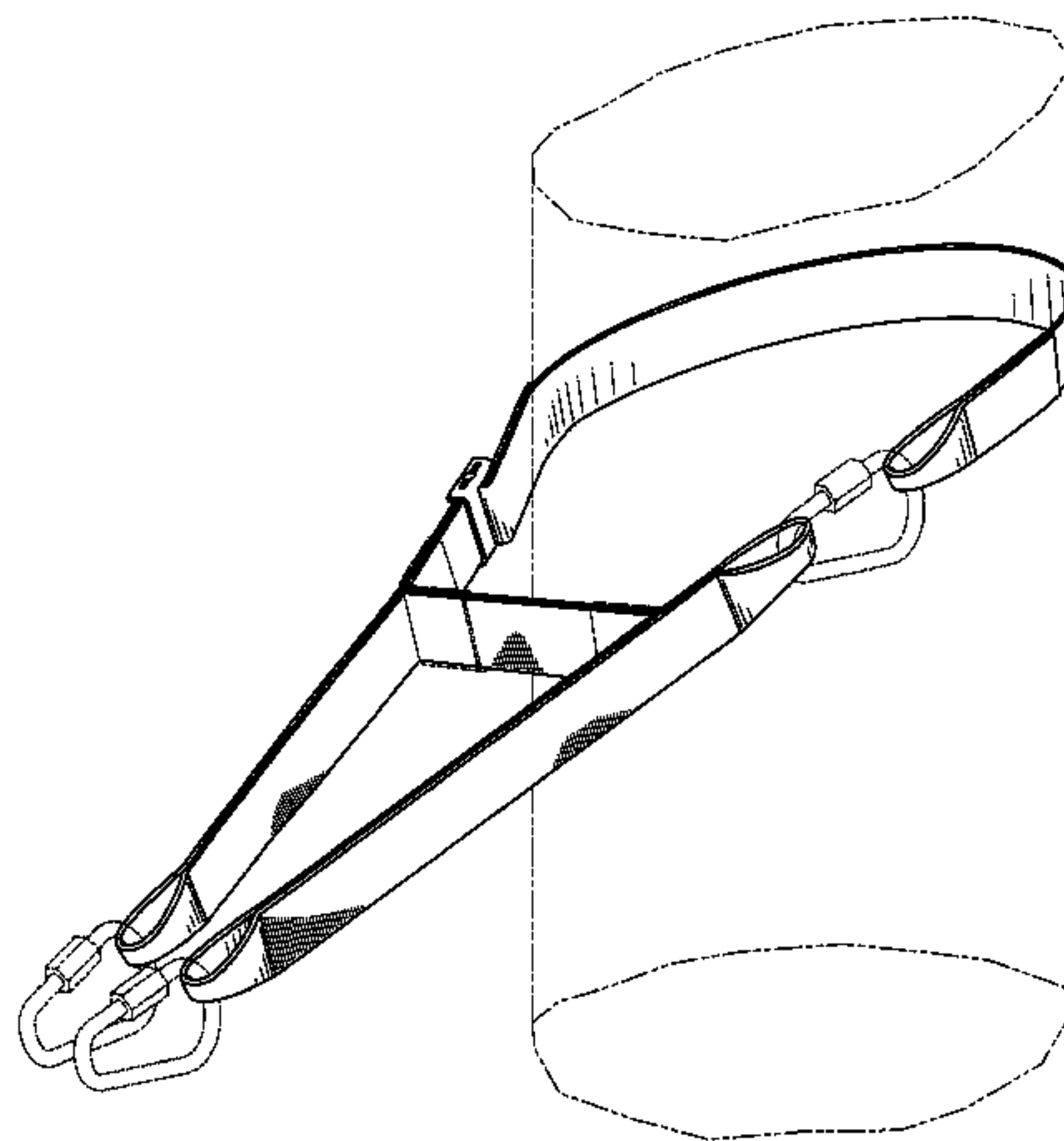
FIG. 5 is a bottom view thereof.

FIG. 6 provides a rear view thereof; and,

FIG. 7 provides a front view of the support strap.

The releasable ring connectors in the support strap are shown in broken lines and do not form a part of the claimed invention. Likewise, the reinforcing folds in the strap are shown in broken lines and do not form a part of the claimed invention. The support strap is shown wrapped around a tree trunk. The tree trunk is likewise shown in broken lines and forms no part of the claimed invention.

1 Claim, 6 Drawing Sheets



OTHER PUBLICATIONS

Pages (7) from treesuit.com showing treesuit tree stand (available at least as of Jul. 11, 2005).

Pages (5) from treelounge.com showing Tree Lounge tree stand (© 2004).

Photographs (2) of Anderson Tree Sling taken around 2005, and was available around 1979 or earlier.

Photographs (2) of tree harness manufactured in around 1977.

Pages (2) from cabelas.com showing Trophy line Tree Saddle; Printed as of Jul. 2005; © 1996-2005.

Pages (2) from cabelas.com showing Summit Trophy Chair Strap on Seat (© 1996-2005).

Pages (2) from cabelas.com showing Big Came Swivel Tree Seat (© 1996-2005).

Pages (13) from trophylineusa.com showing Tree Saddle (© 2003).

Pages (21) from Redhead 2003 Fall Hunting Catalog showing tree stands secured with straps; pp. 236-251 and pp. 254-258.

Photographs (3) of seat used personally by Mmr. Palasini in the mid 1990's or earlier.

* cited by examiner

Fig. 1

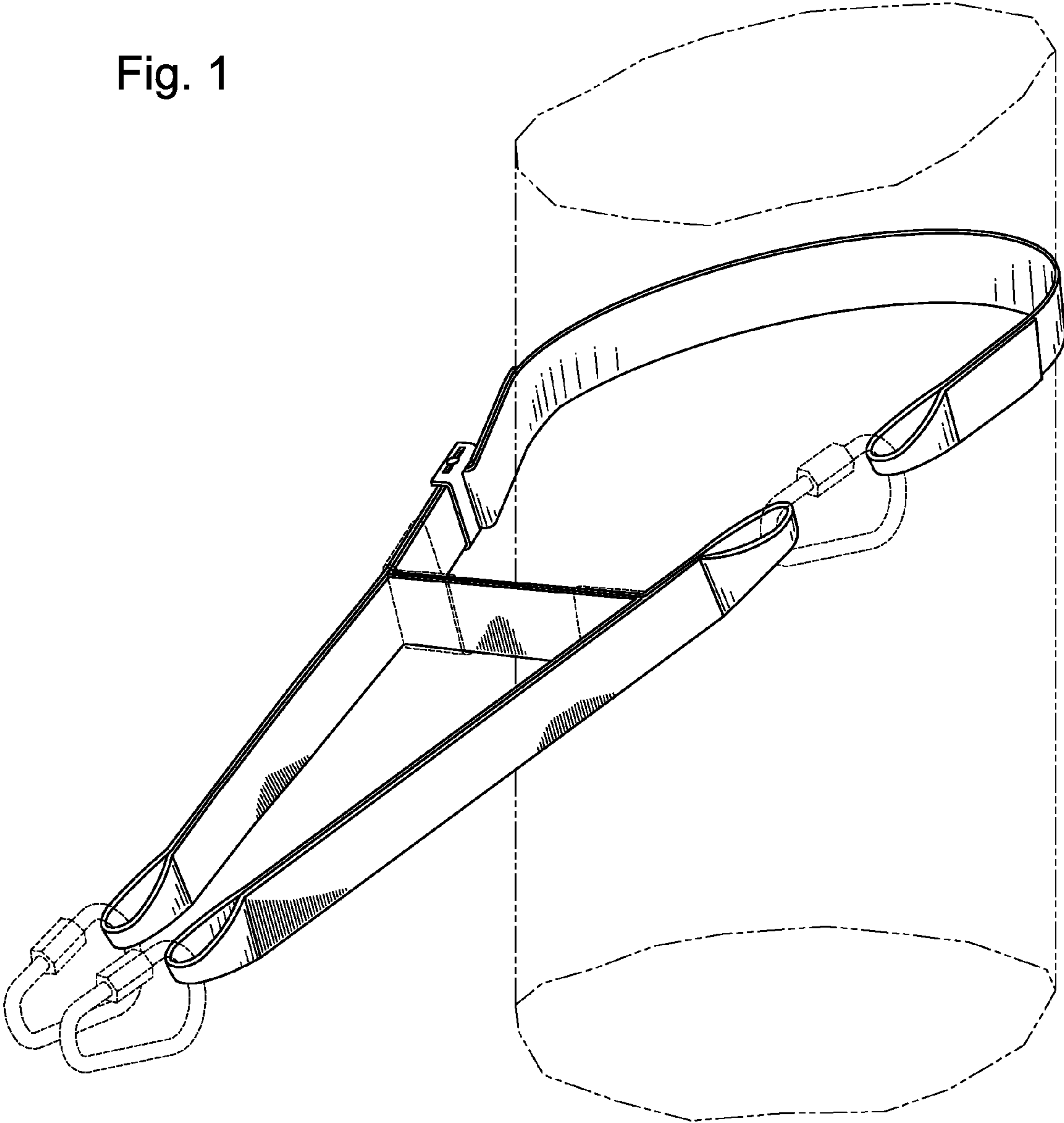


Fig. 2

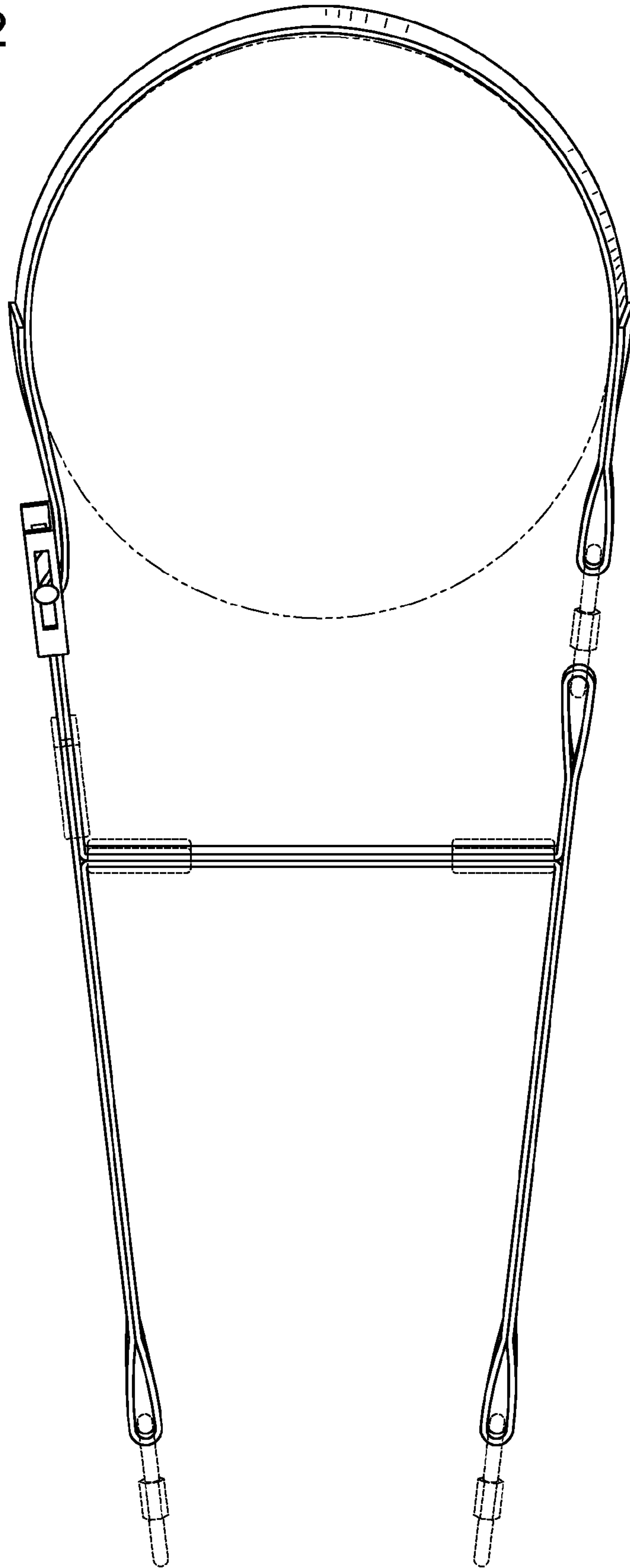


Fig. 3

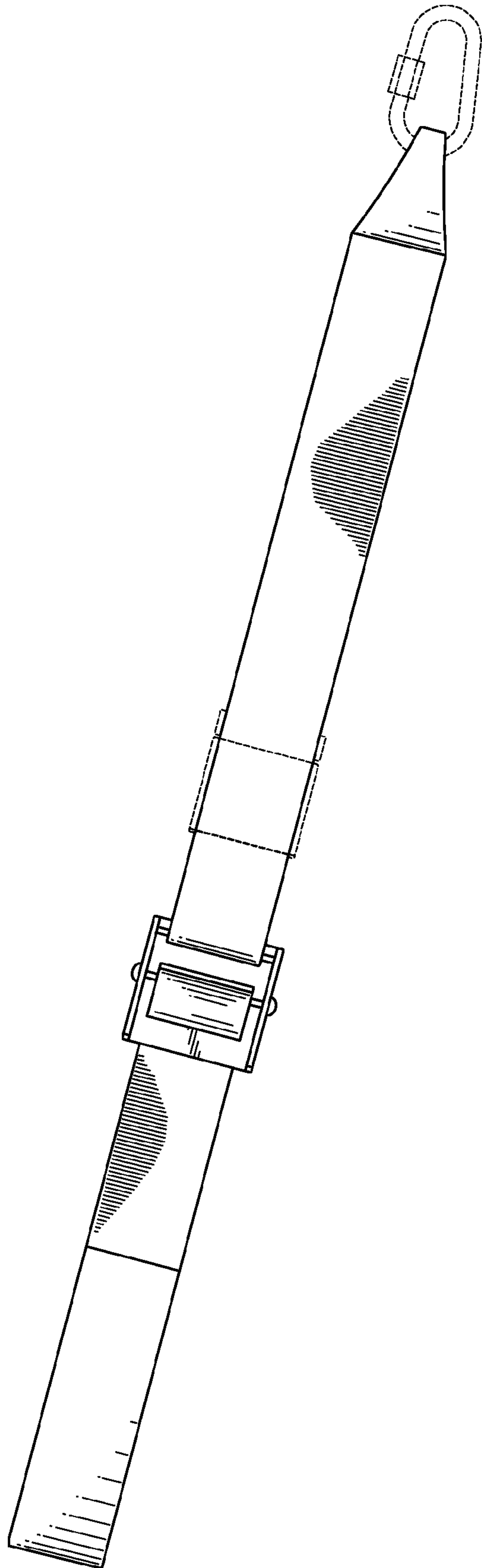


Fig. 4

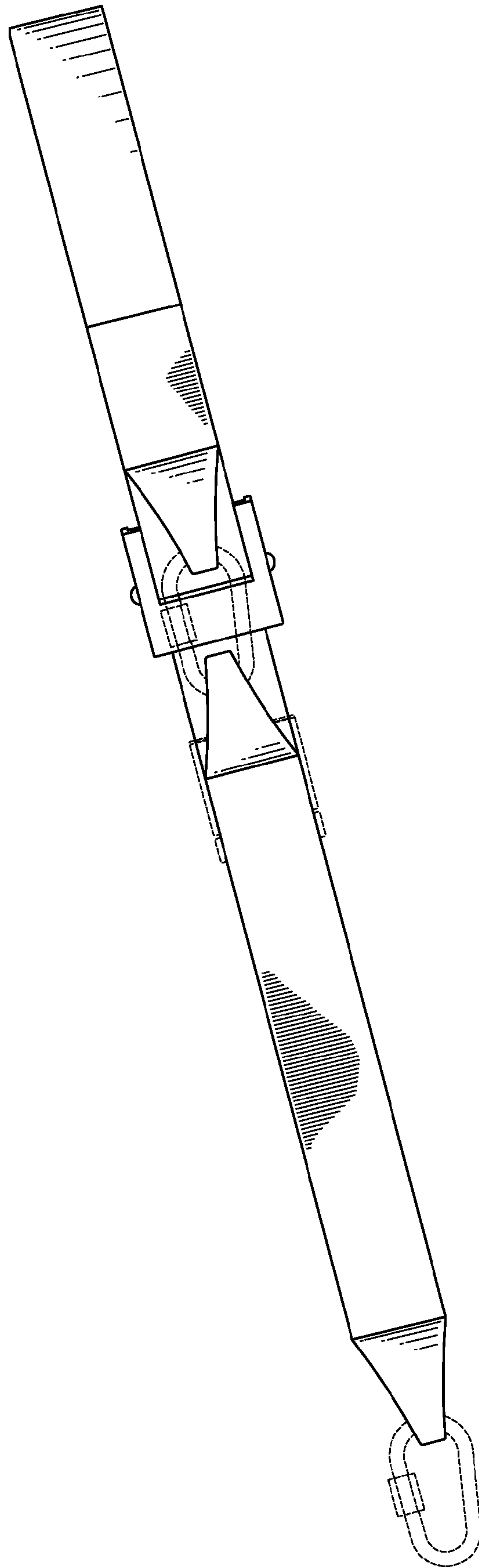


Fig. 5

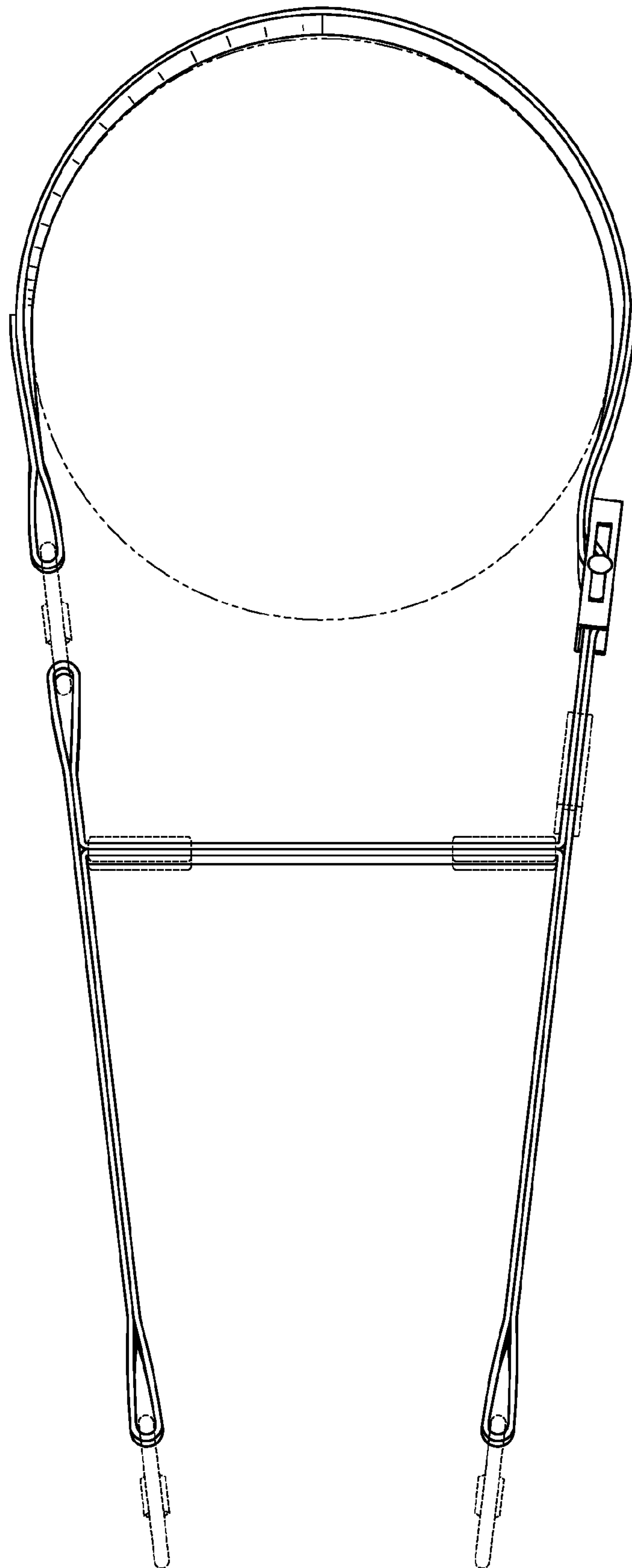


Fig. 6

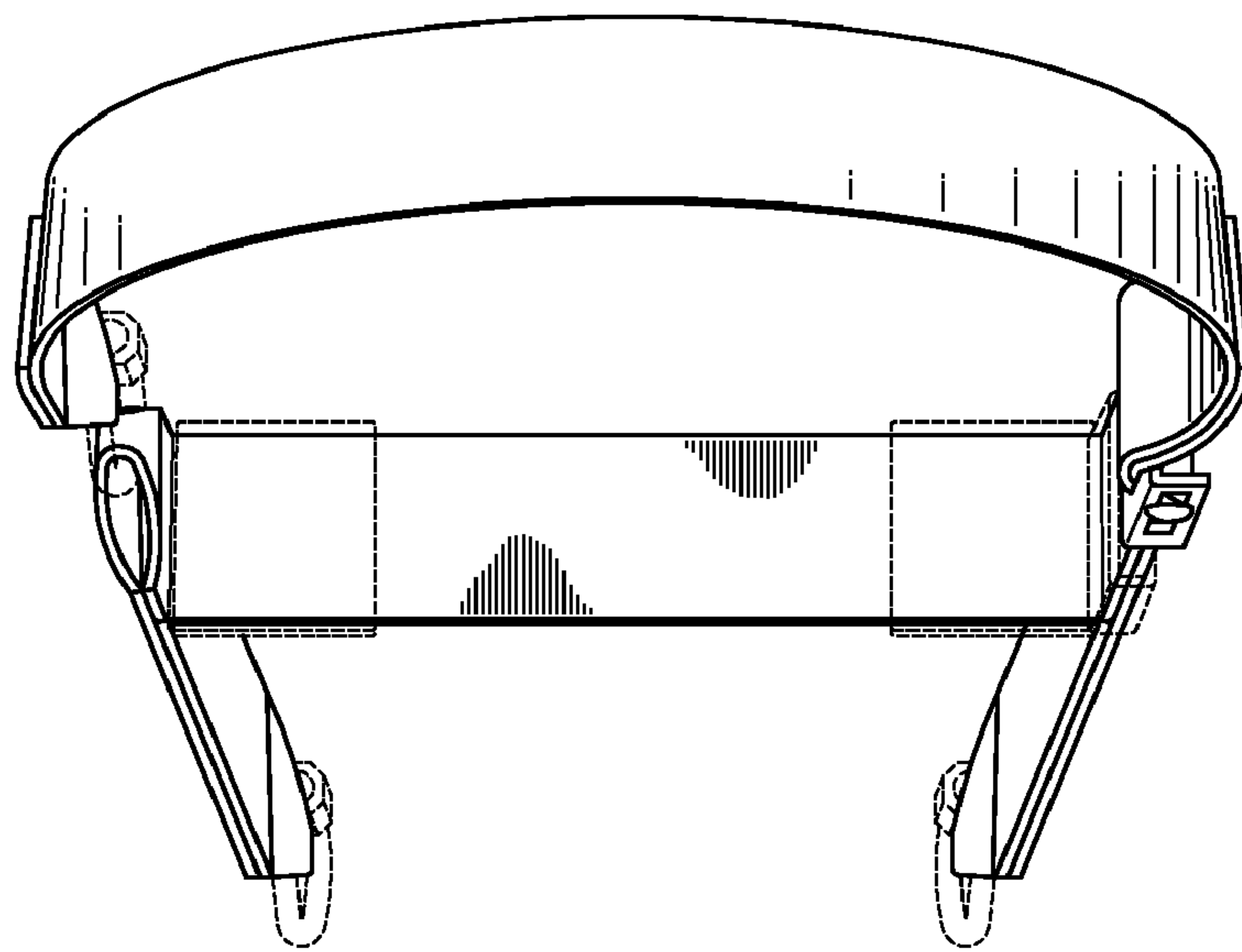


Fig. 7

