



US00D553796S

(12) **United States Design Patent**
Harwanko

(10) **Patent No.:** **US D553,796 S**

(45) **Date of Patent:** **** Oct. 23, 2007**

(54) **VANITY TRAY**

(75) Inventor: **Jeffrey Harwanko**, Wilmington, DE (US)

(73) Assignee: **Zenith Products Corp.**, New Castle, DE (US)

(**) Term: **14 Years**

(21) Appl. No.: **29/247,258**

(22) Filed: **Jun. 8, 2006**

(51) **LOC (8) Cl.** **28-03**

(52) **U.S. Cl.** **D28/73**

(58) **Field of Classification Search** D6/524-525; D28/73-74, 99; D7/612-615, 545-548, D7/538-542, 601-603; 108/27, 50.15
See application file for complete search history.

(56) **References Cited**

U.S. PATENT DOCUMENTS

D470,978 S * 2/2003 Hoernig D28/73
D525,657 S * 7/2006 Warren, III D28/73

* cited by examiner

Primary Examiner—Brian N Vinson

(74) *Attorney, Agent, or Firm*—Akin Gump Strauss Hauer & Feld LLP

(57) **CLAIM**

The ornamental design for a vanity tray, as shown and described.

DESCRIPTION

FIG. 1 is a front perspective view of a vanity tray in accordance with my new design;

FIG. 2 is a front elevational view thereof;

FIG. 3 is a rear elevational view thereof;

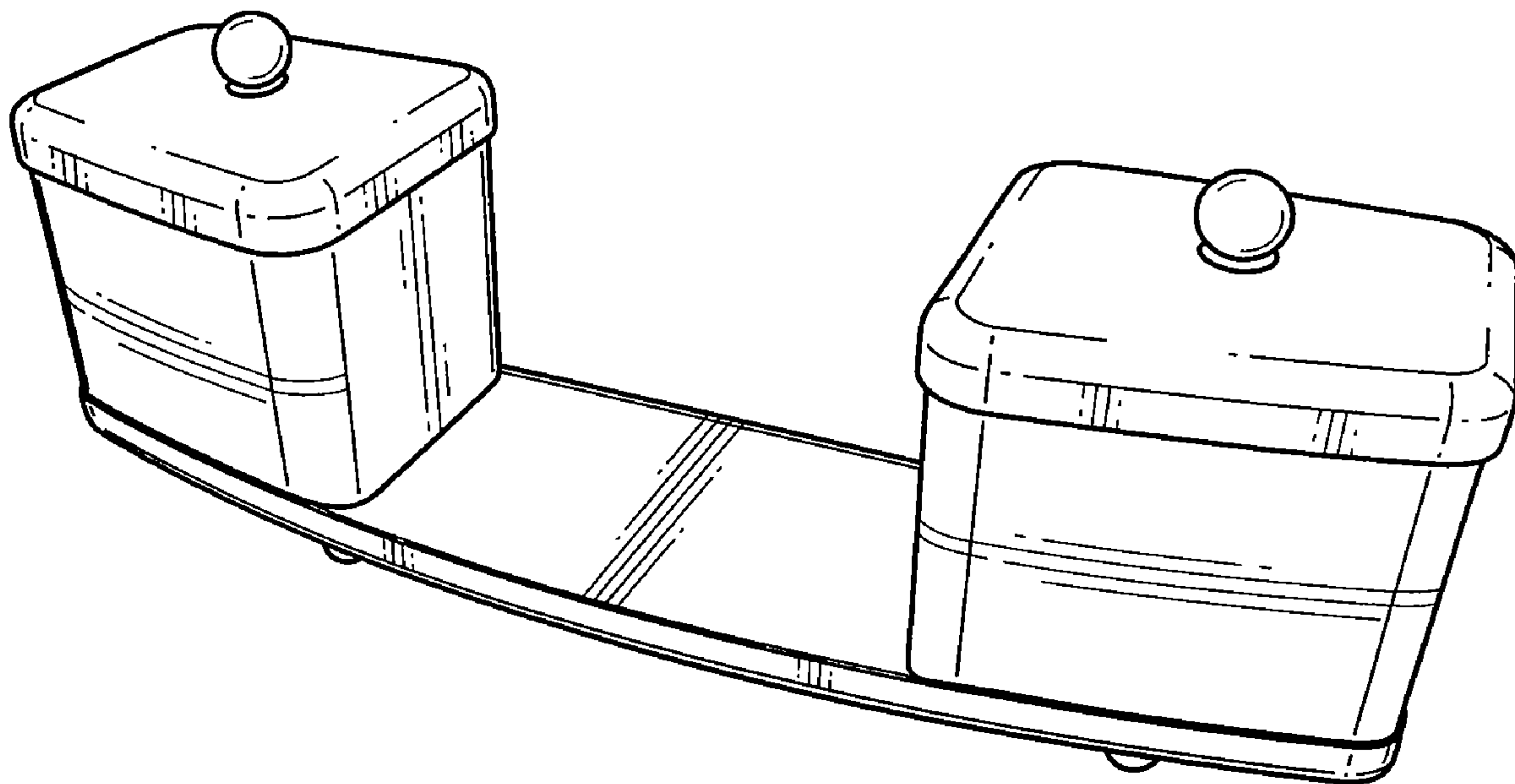
FIG. 4 is a left side elevational view thereof;

FIG. 5 is a right side elevational view thereof;

FIG. 6 is a top plan view thereof; and,

FIG. 7 is a bottom plan view thereof.

1 Claim, 4 Drawing Sheets



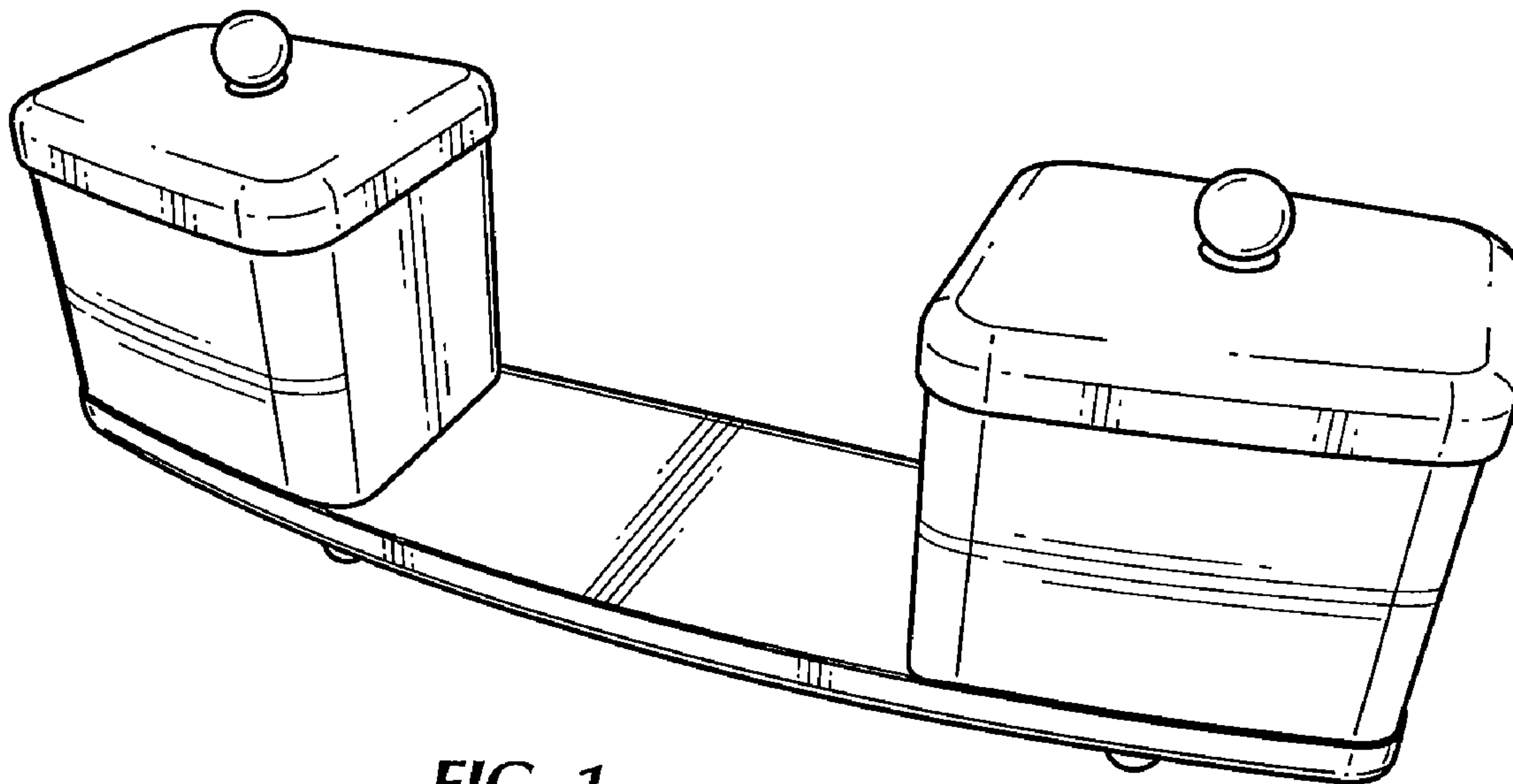


FIG. 1

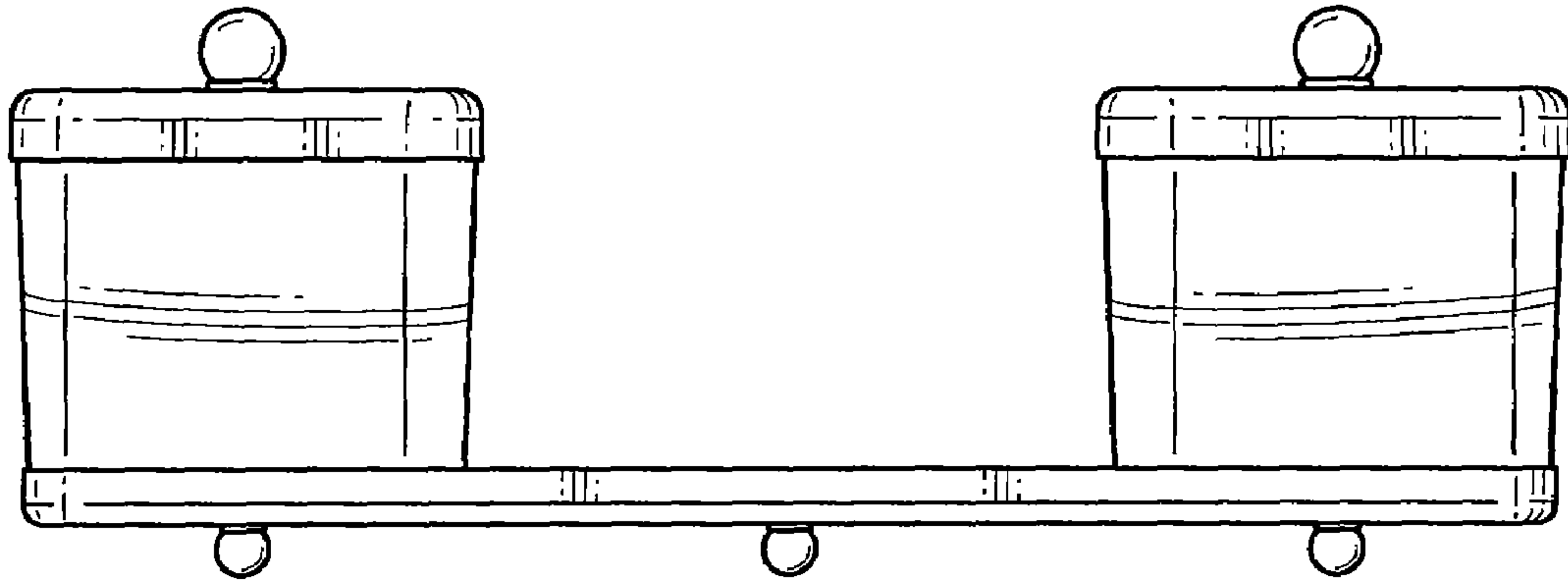


FIG. 2

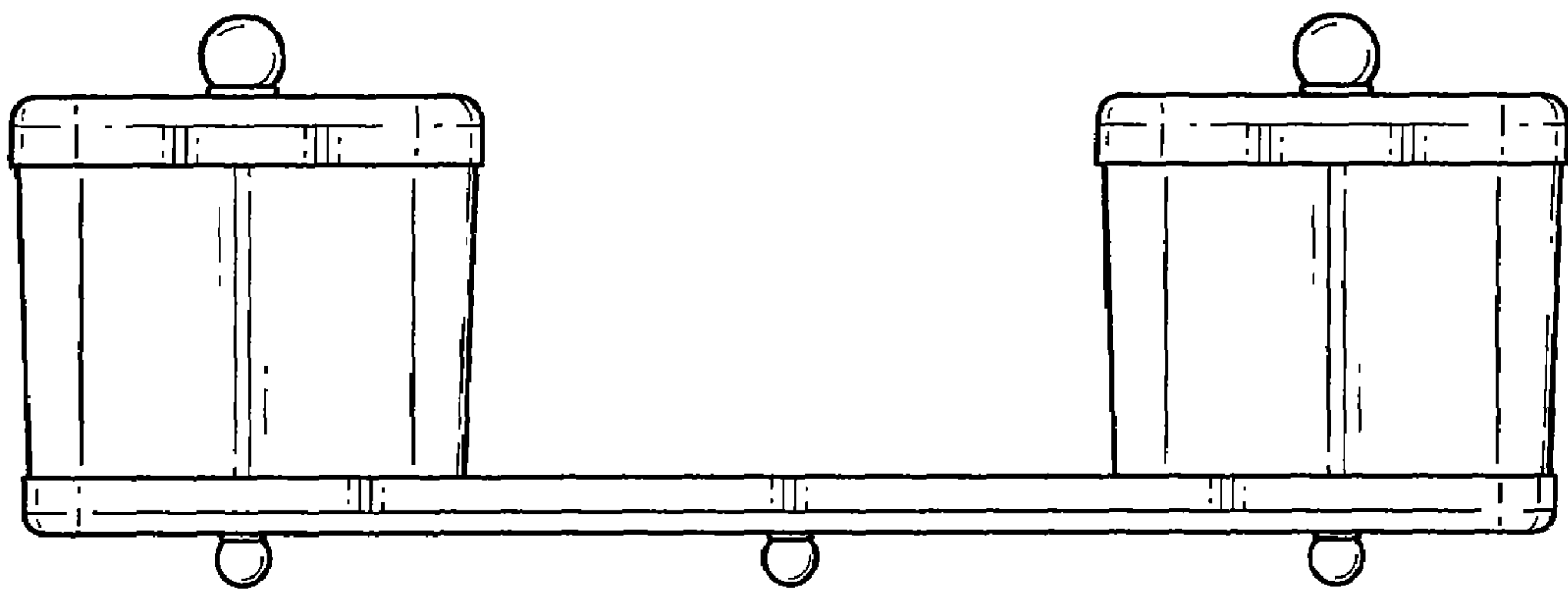


FIG. 3

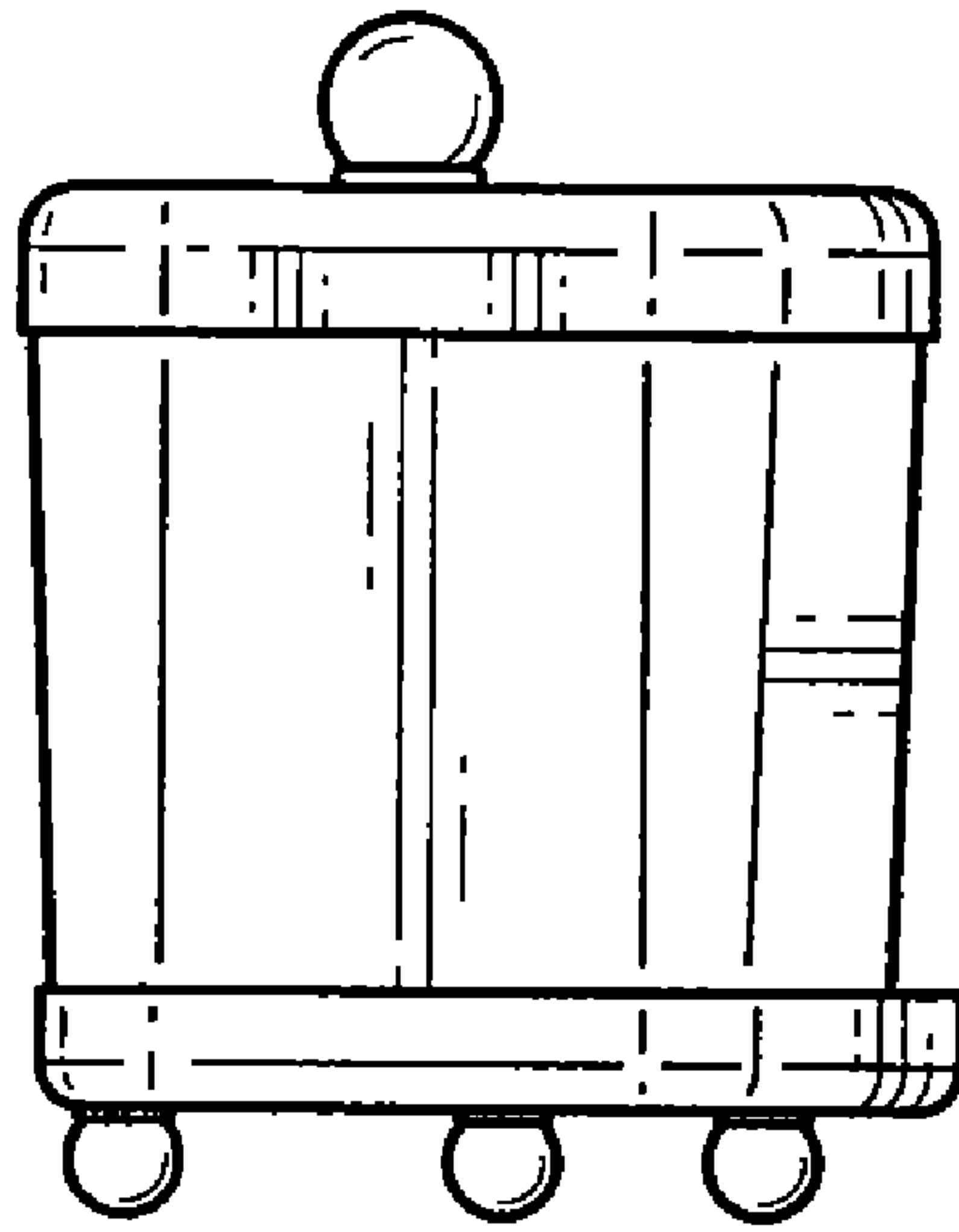


FIG. 4

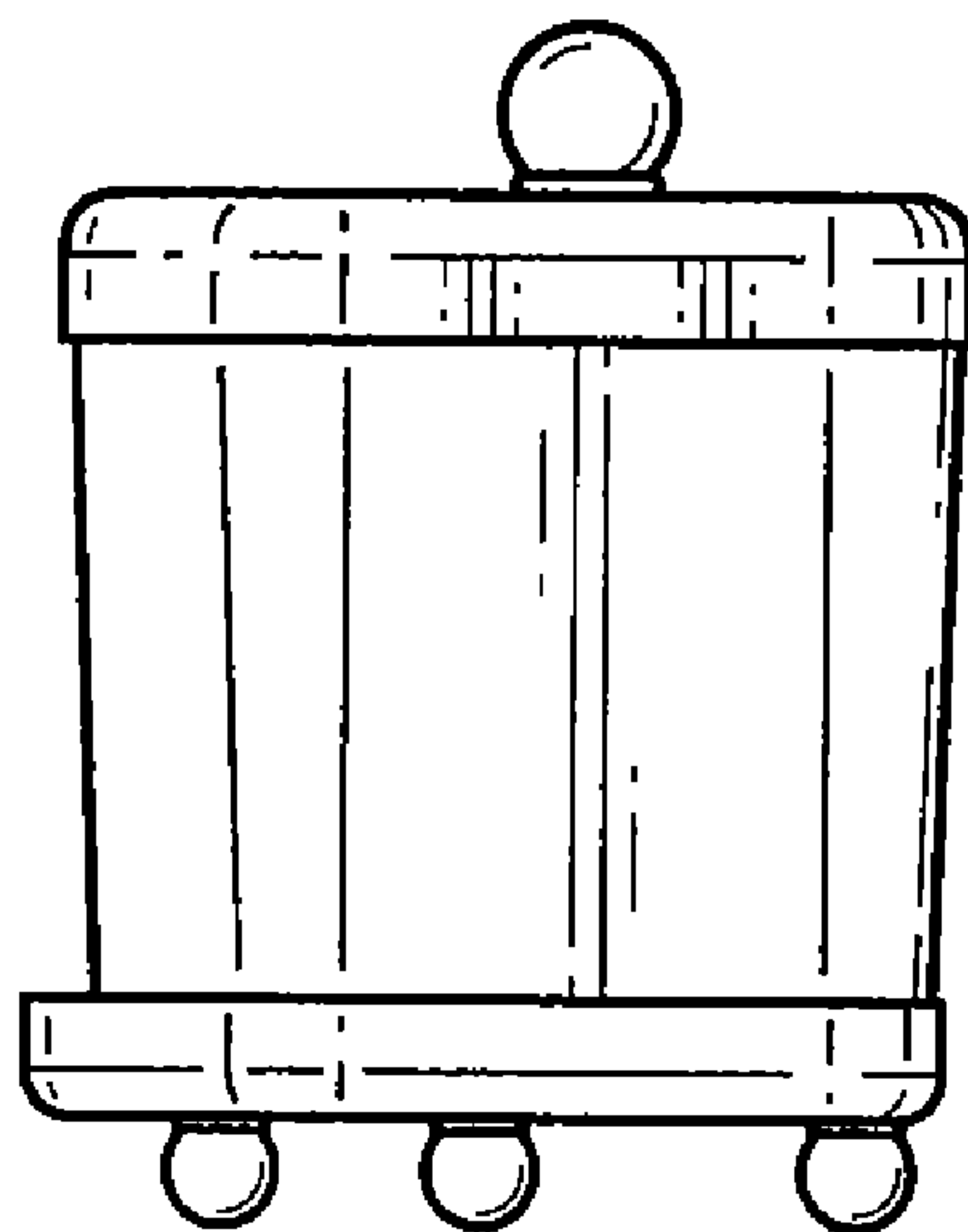


FIG. 5

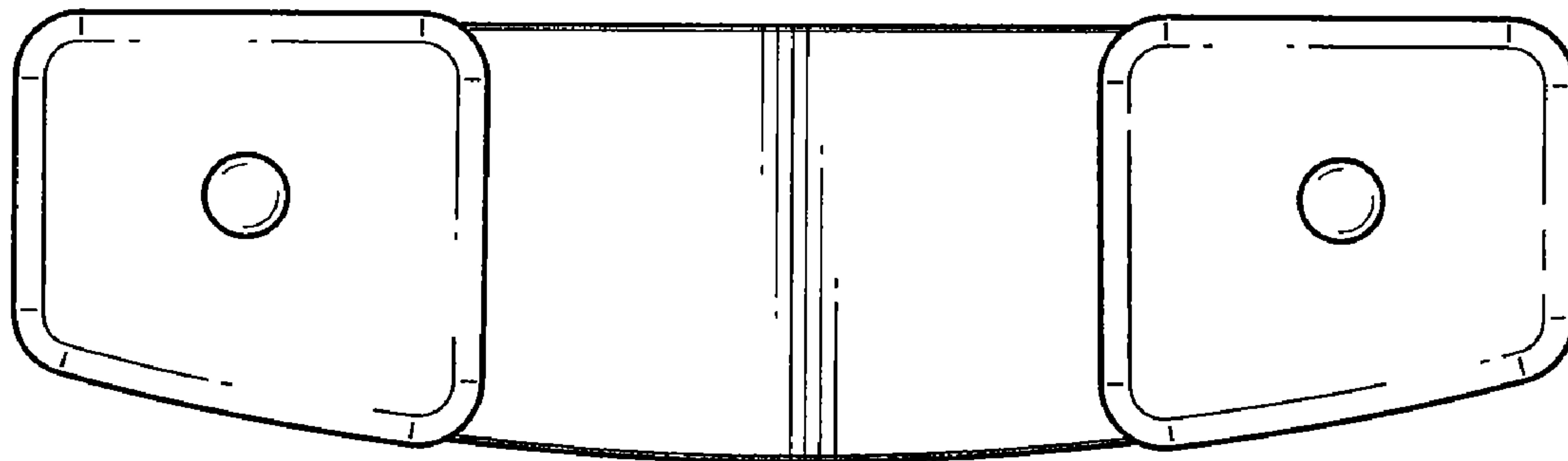


FIG. 6

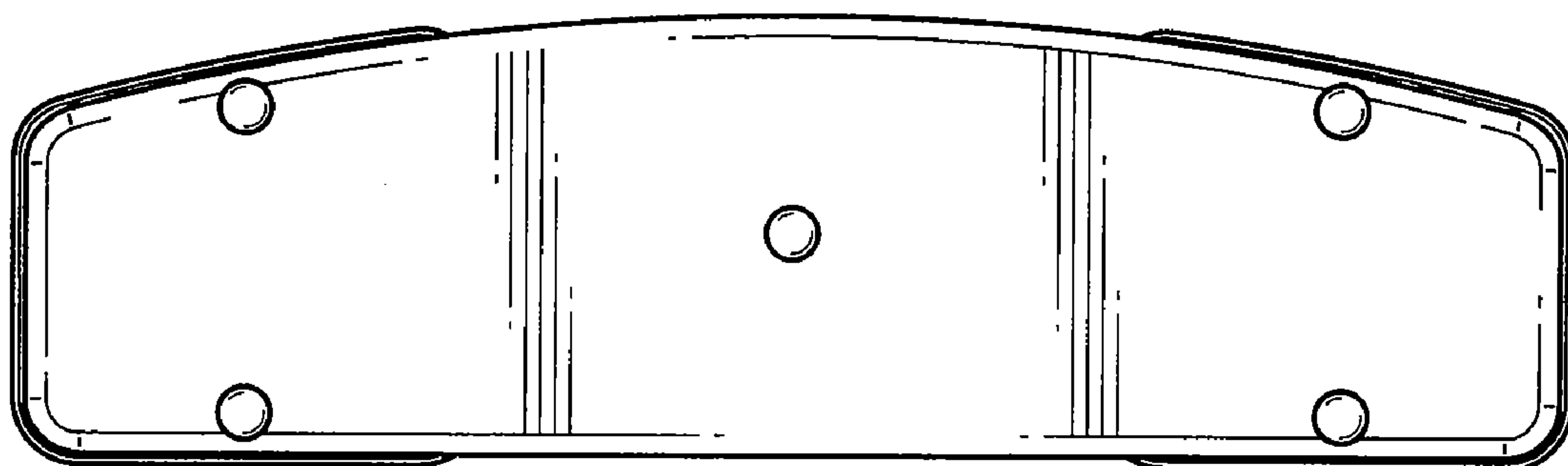


FIG. 7