



US00D553795S

(12) **United States Design Patent**  
**Tran**

(10) **Patent No.:** **US D553,795 S**

(45) **Date of Patent:** **\*\* Oct. 23, 2007**

(54) **DENTAL FLOSS CONTAINER FOR A DENTAL BRUSH**

D503,831 S \* 4/2005 Ames ..... D28/78

**OTHER PUBLICATIONS**

(76) Inventor: **Nga Tran**, 18771 Pinto La., Santa Ana, CA (US) 92705

Practicon Dental, Dental Catalog, Spring 2006, p. 139, 140 & 141, Greenville, NC.

(\*\*) Term: **14 Years**

\* cited by examiner

(21) Appl. No.: **29/257,328**

*Primary Examiner*—Janice E. Seeger  
*Assistant Examiner*—Zenia I. Bennett

(22) Filed: **Apr. 3, 2006**

(57) **CLAIM**

(51) **LOC (8) Cl.** ..... **28-03**

(52) **U.S. Cl.** ..... **D28/66**

(58) **Field of Classification Search** ..... D28/65–68,  
D28/10, 31, 56, 73, 91; D3/203.1, 205; 206/63.5;  
433/141, 146–147; 132/322–329; D24/152;  
242/137–138; D9/419–420, 422, 529  
See application file for complete search history.

The ornamental design for a dental floss container for a dental brush, as shown and described.

**DESCRIPTION**

(56) **References Cited**

**U.S. PATENT DOCUMENTS**

- D257,790 S \* 1/1981 Kesling ..... D24/227
- D303,581 S \* 9/1989 Bakic ..... D28/78
- 4,934,523 A 6/1990 Strom
- 5,415,187 A \* 5/1995 Heneveld ..... 132/325
- RE35,034 E \* 9/1995 Albert ..... 206/63.5
- D387,490 S \* 12/1997 Hester ..... D28/66
- D417,077 S \* 11/1999 Sheu ..... D3/294
- 6,715,603 B1 \* 4/2004 Uribe ..... 206/63.5

FIG. 1 is a perspective view of a dental floss container for a dental brush showing my new design;

FIG. 2 is a top plan view thereof;

FIG. 3 is a bottom plan view thereof;

FIG. 4 is a front elevational view thereof;

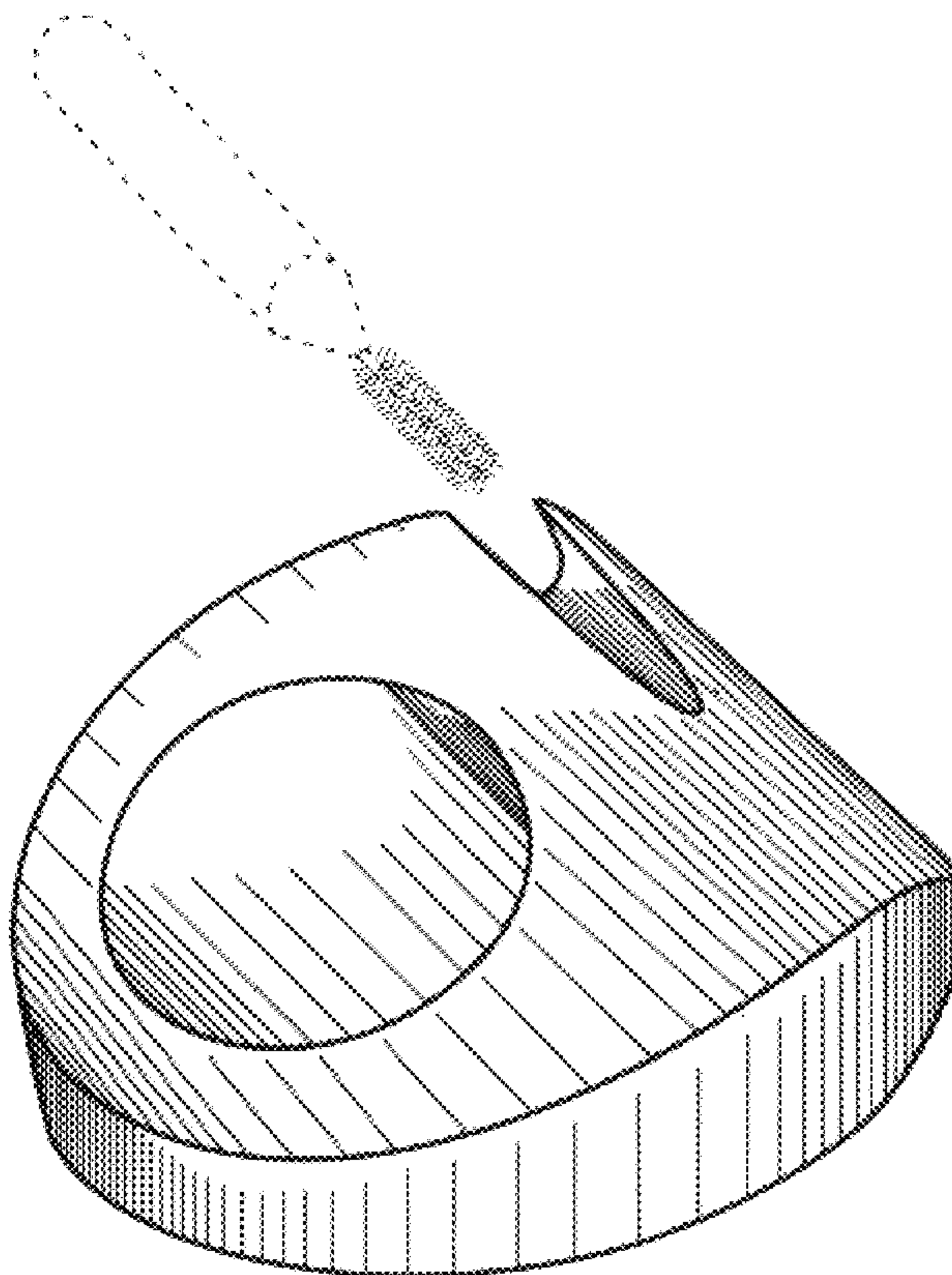
FIG. 5 is a rear elevational view thereof;

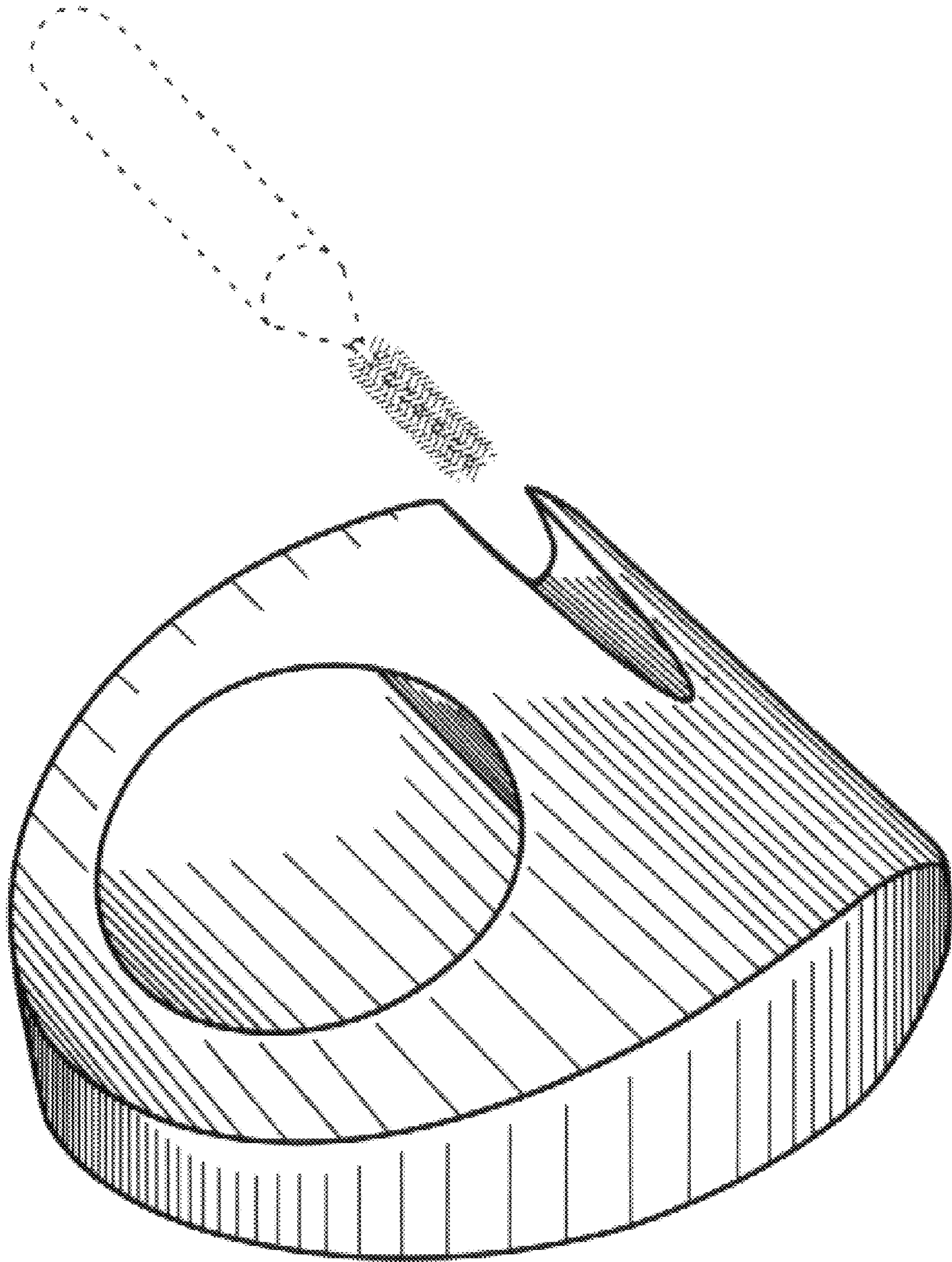
FIG. 6 is a left side elevational view thereof; and,

FIG. 7 is a right side elevational view.

The broken lines in the drawing are for illustrative purposes only and form no part of the claimed design.

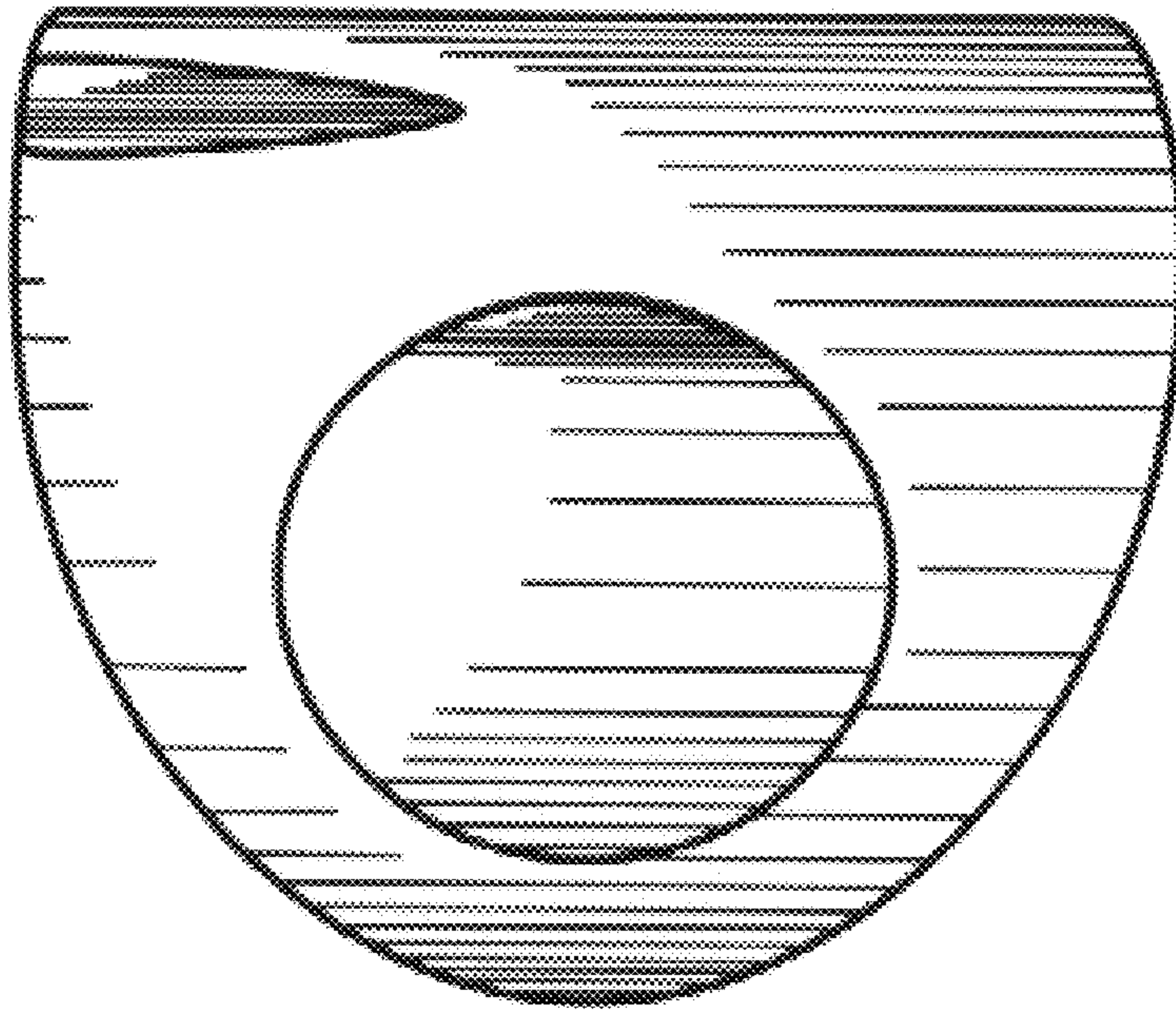
**1 Claim, 4 Drawing Sheets**



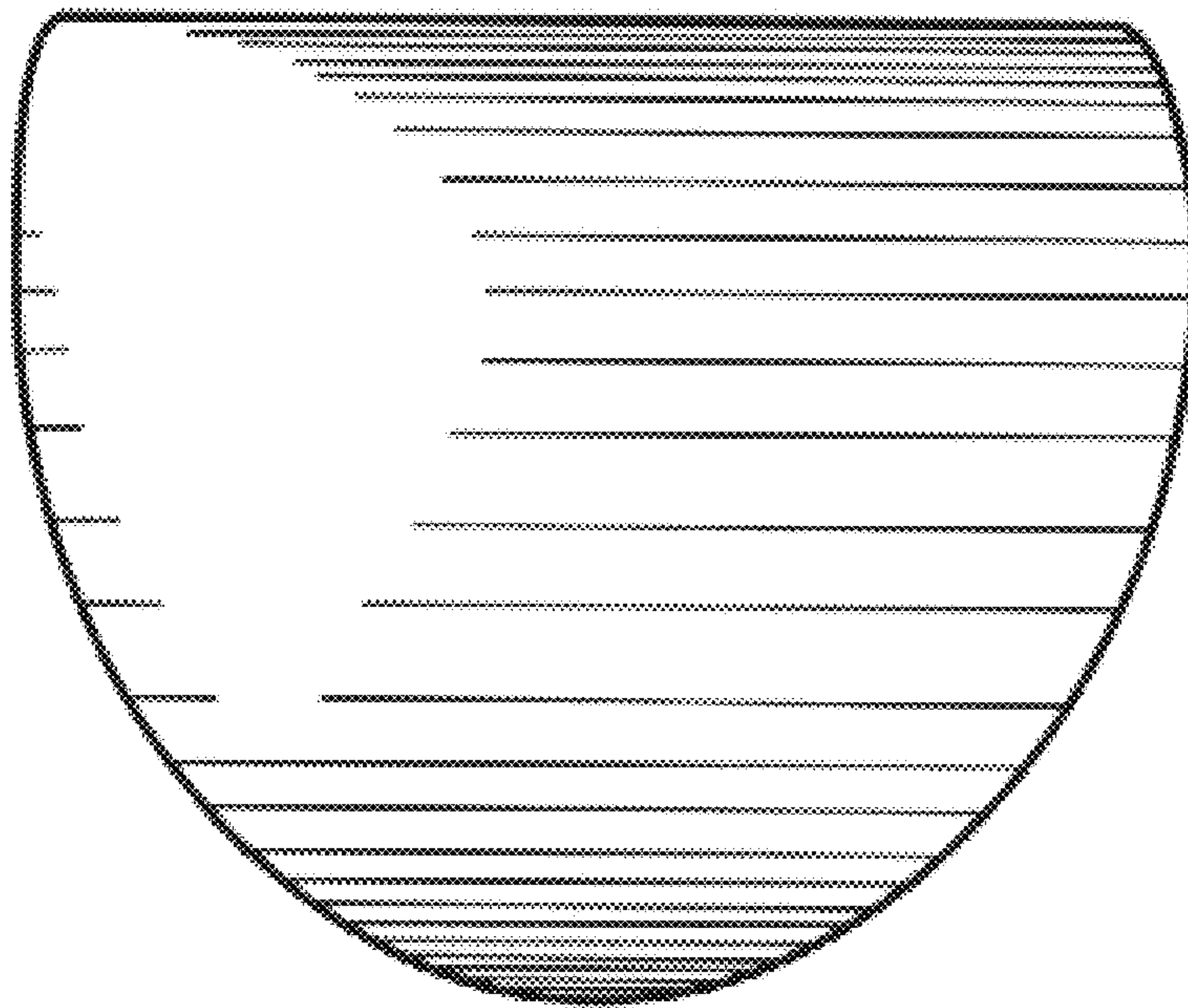


*Fig. 1*

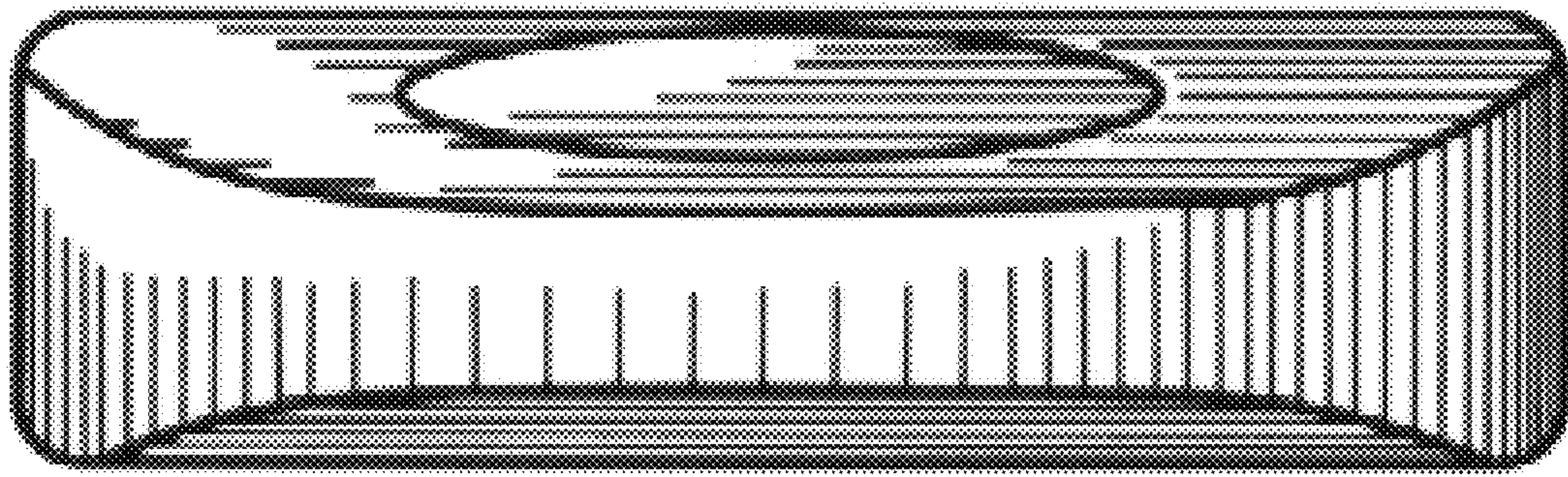




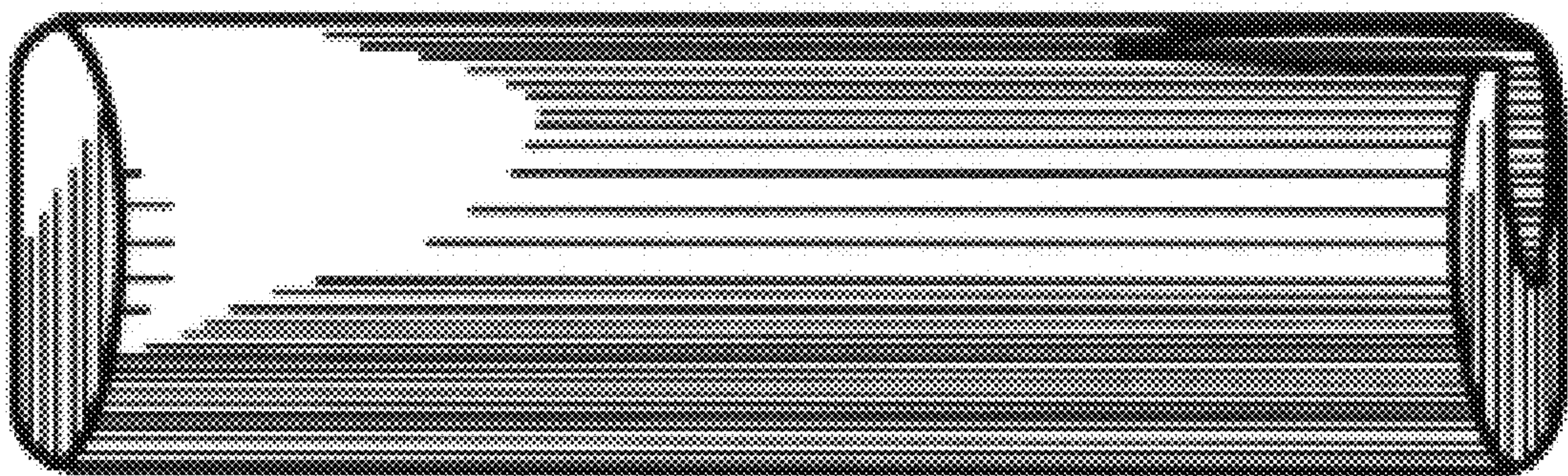
*Fig. 2*



*Fig. 3*

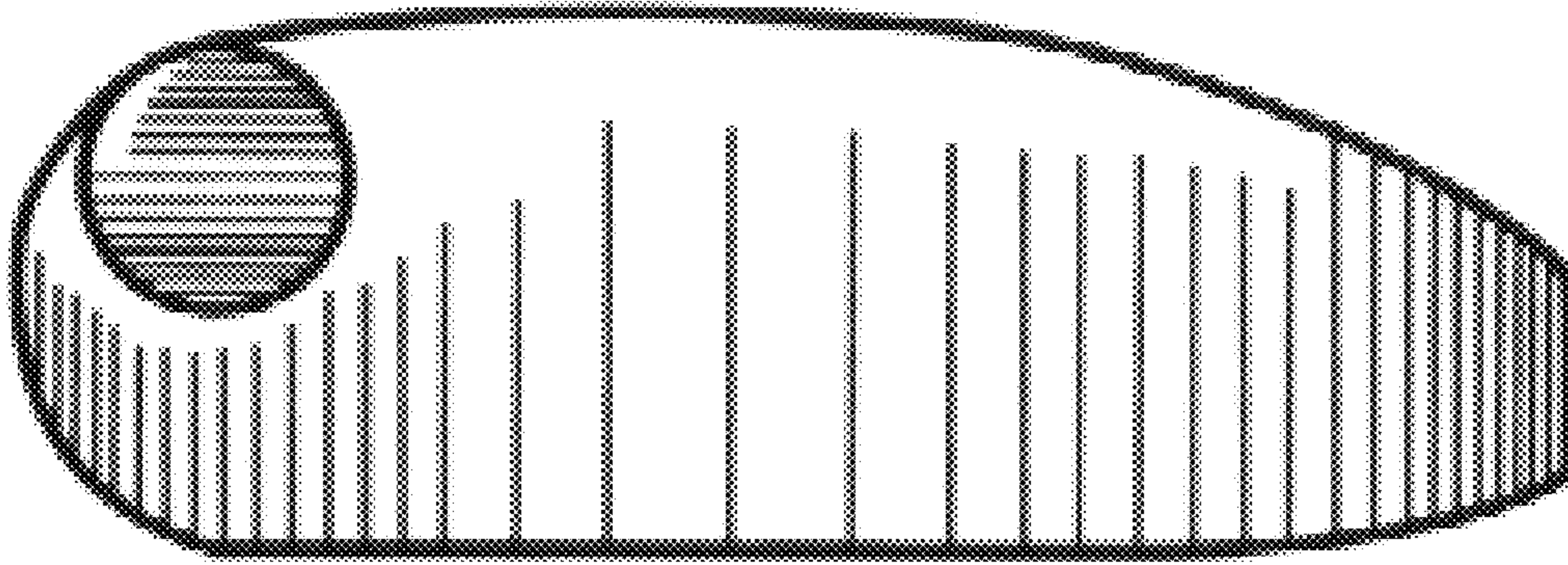


*Fig. 4*

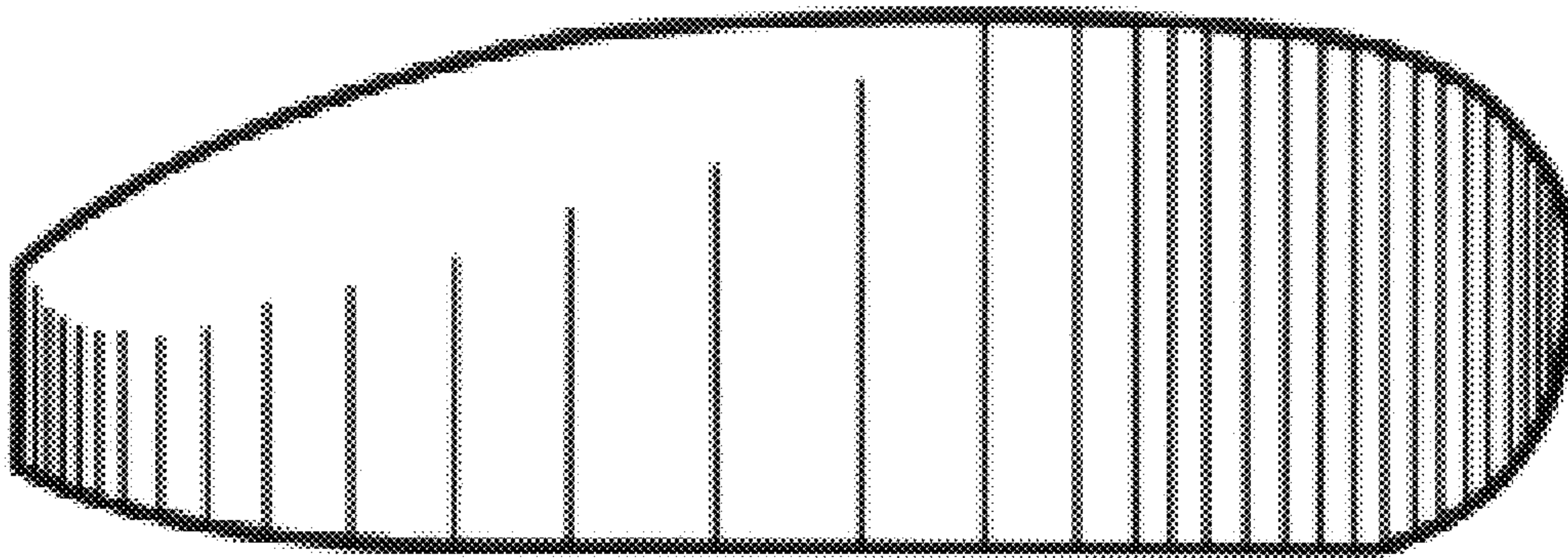


*Fig. 5*





***Fig. 6***



***Fig. 7***