



US00D553791S

(12) **United States Design Patent** (10) **Patent No.:** **US D553,791 S**
Bouroullec et al. (45) **Date of Patent:** **** Oct. 23, 2007**

(54) **LAMPSHADE**

D481,489 S * 10/2003 Cline et al. D26/128

(75) Inventors: **Erwan Bouroullec**, Saint Denis (FR);
Ronan Bouroullec, Saint Denis (FR)

(73) Assignee: **Belux AG**, MuttENZ (CH)

(**) Term: **14 Years**

(21) Appl. No.: **29/218,698**

(22) Filed: **Dec. 6, 2004**

(30) **Foreign Application Priority Data**

Jun. 5, 2004 (CH) 130797

(51) **LOC (8) Cl.** **26-99**

(52) **U.S. Cl.** **D26/128**

(58) **Field of Classification Search** D26/128,
D26/113, 118, 119, 123, 124, 129, 130; 362/217,
362/257, 317, 329, 334, 340, 351, 355, 356,
362/362, 363

See application file for complete search history.

(56) **References Cited**

U.S. PATENT DOCUMENTS

965,880	A	*	8/1910	Dixon	362/363
D56,922	S	*	1/1921	Handel	D26/131
D69,872	S	*	4/1926	D'Olier	D26/131
D73,862	S	*	11/1927	Owen	D26/132
D80,310	S	*	1/1930	Halvorson	D26/134
1,763,963	A	*	6/1930	Guth	362/312
D83,708	S	*	3/1931	Vogel	D20/8
D90,644	S	*	9/1933	Bartschat	D26/131
D132,642	S	*	6/1942	Schwacha	D26/128
D144,251	S	*	3/1946	Kreidler	D26/131
D363,362	S	*	10/1995	Davis, Sr.	D26/131
D402,075	S	*	12/1998	Hudak et al.	D26/88

OTHER PUBLICATIONS

Fiell, Charlotte and Peter; Title: 1000 Lights, 1960 to Present; Publisher: Taschen GmbH, vol. 2, May 2005, ISBN 3-8228-2475-5, p. 46: "Delta Parete wall light", created by Sergio Mazza.

Fiell, Charlotte and Peter; Title: 1000 Lights, 1960 to Present; Publisher: Taschen GmbH, vol. 2, May 2005, ISBN 3-8228-2475-5, p. 182: "Colleoni floor light", created by Vico Magistretti.

* cited by examiner

Primary Examiner—Freda S. Nunn

Assistant Examiner—Kevin K. Rudzinski

(74) *Attorney, Agent, or Firm*—McCarter & English, LLP

(57) **CLAIM**

The ornamental design for a lampshade, as shown and described.

DESCRIPTION

FIG. 1 is a front elevational view of a lampshade showing our new design, intended for use as a hanging lamp, as indicated by the dashed lines;

FIG. 2 is a top perspective view thereof;

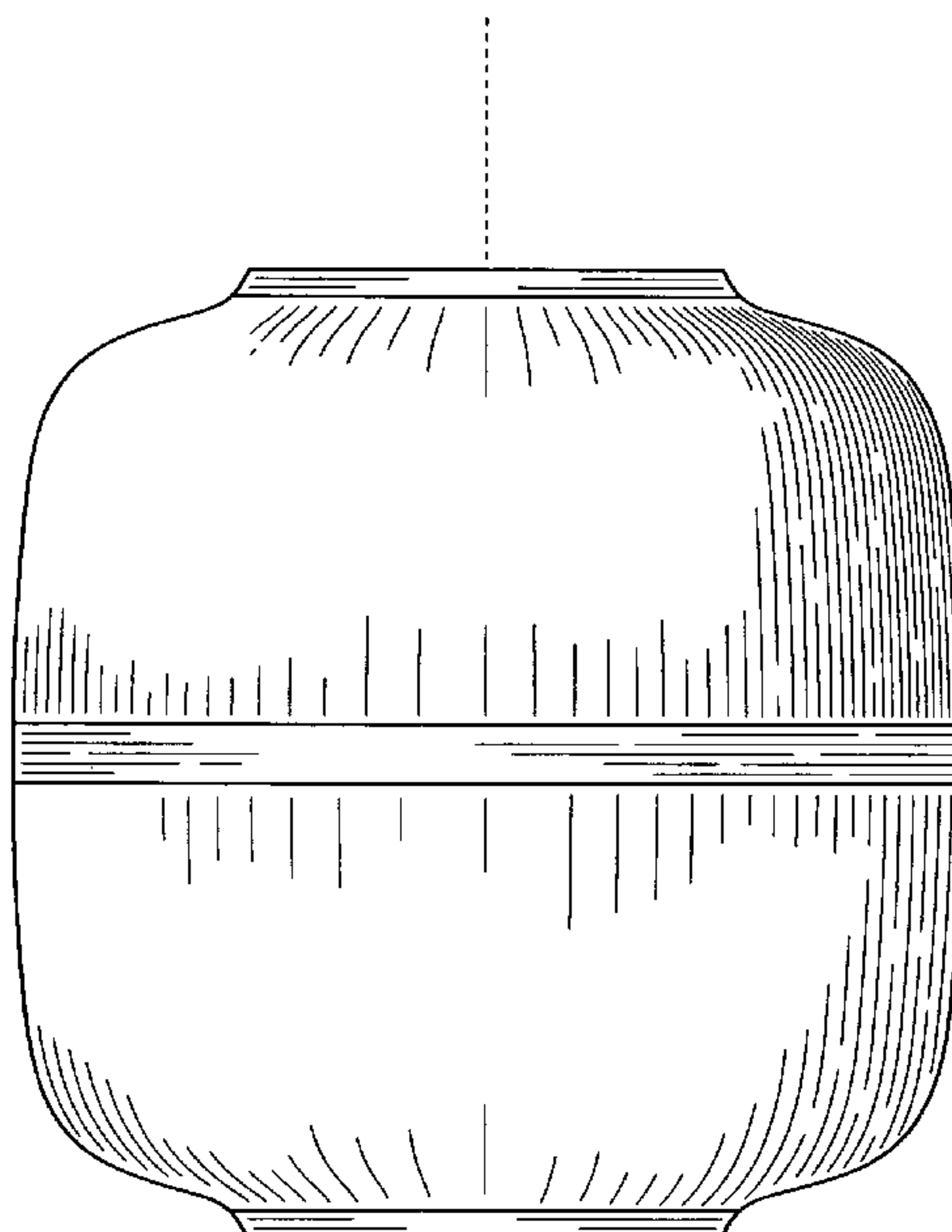
FIG. 3 is a bottom perspective view thereof;

FIG. 4 is a front elevational view of a lampshade showing our new design, intended for use on any horizontal base, as indicated by the dashed lines; and,

FIG. 5 is a front elevational view of a lampshade showing our new design, intended for use as a floor lamp, as indicated by the dashed lines.

The broken line showing of the support structures is included for the purpose of illustrating the different uses and forms no part of the claimed design.

1 Claim, 3 Drawing Sheets



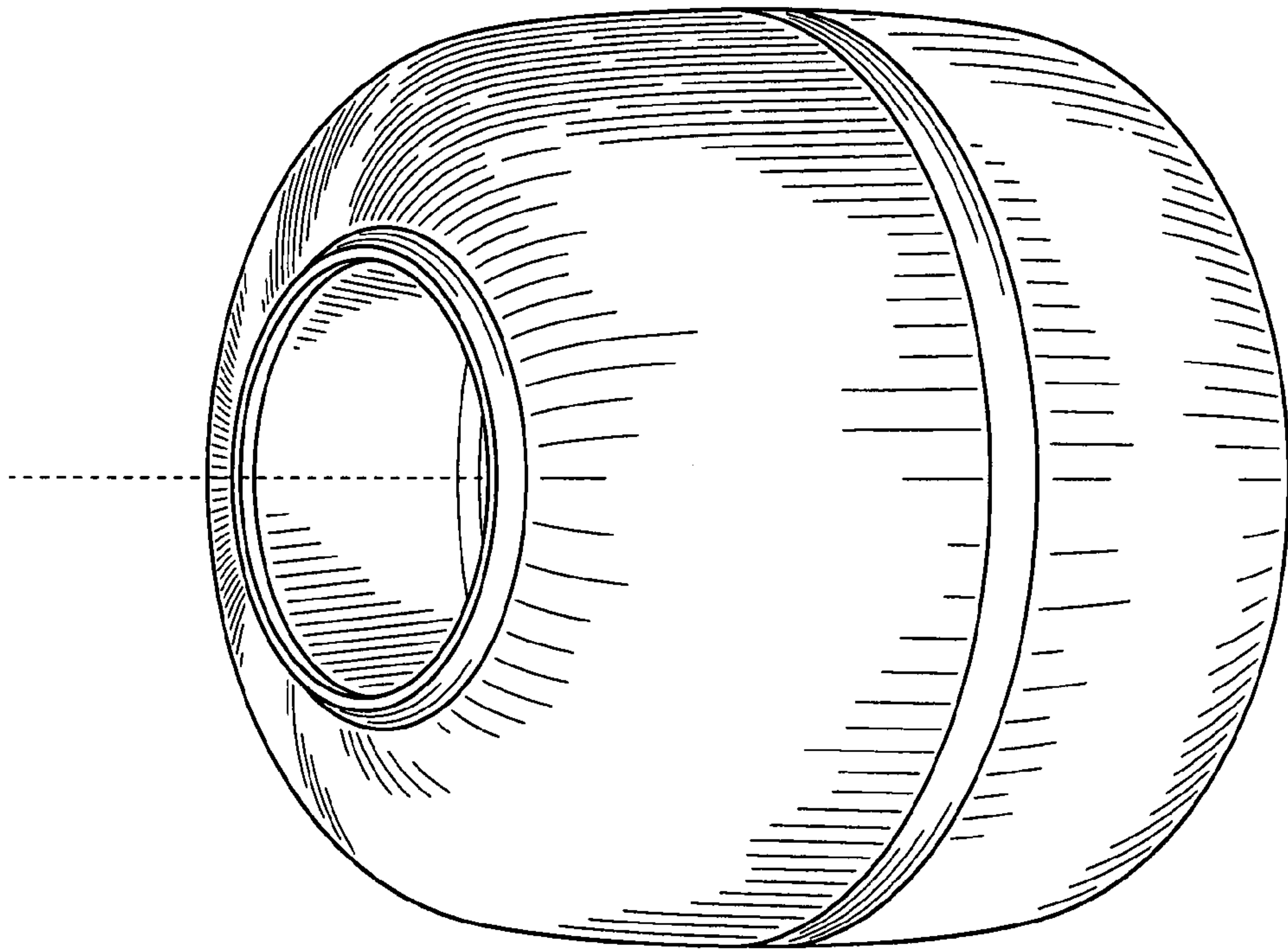


FIG. 2

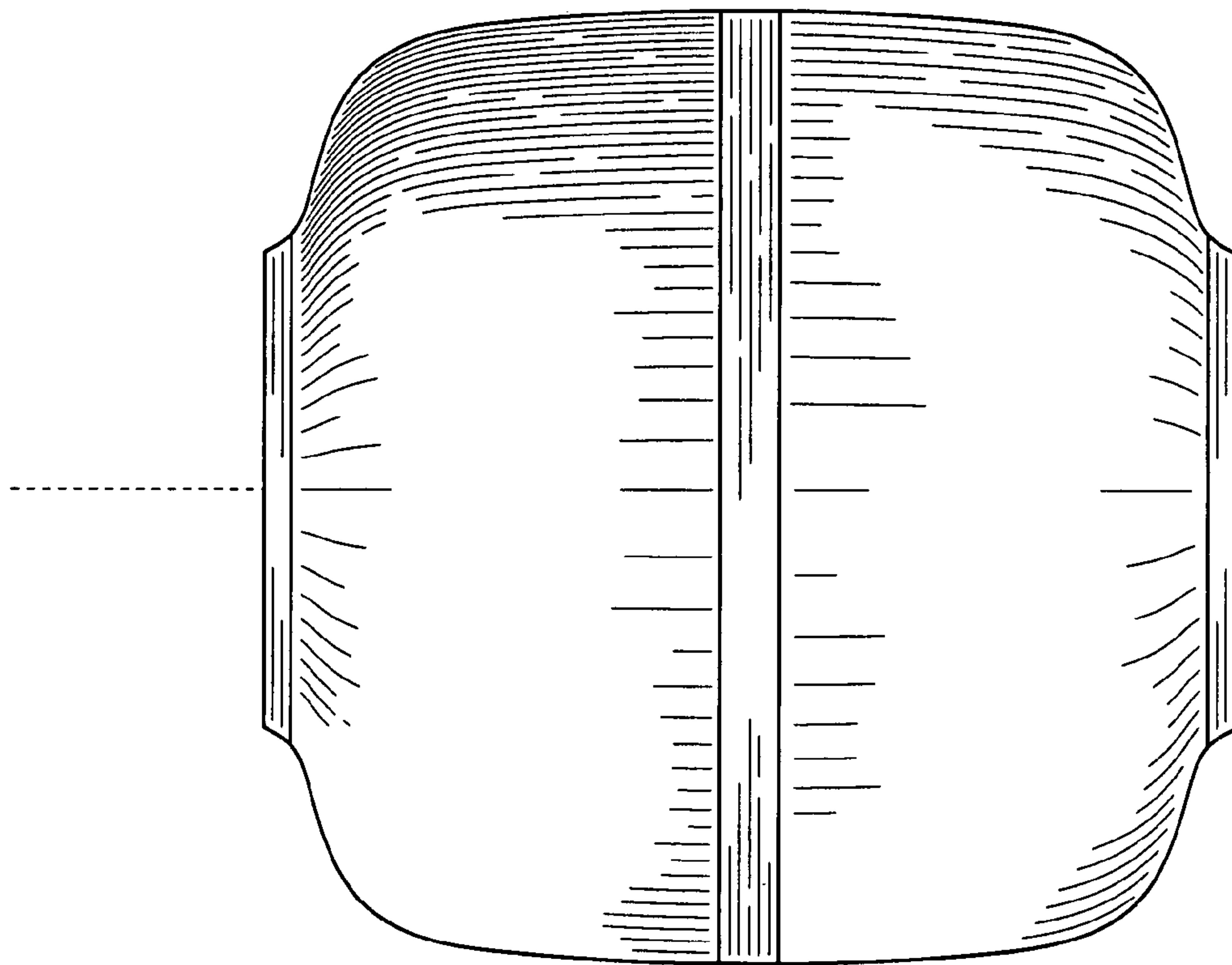


FIG. 1

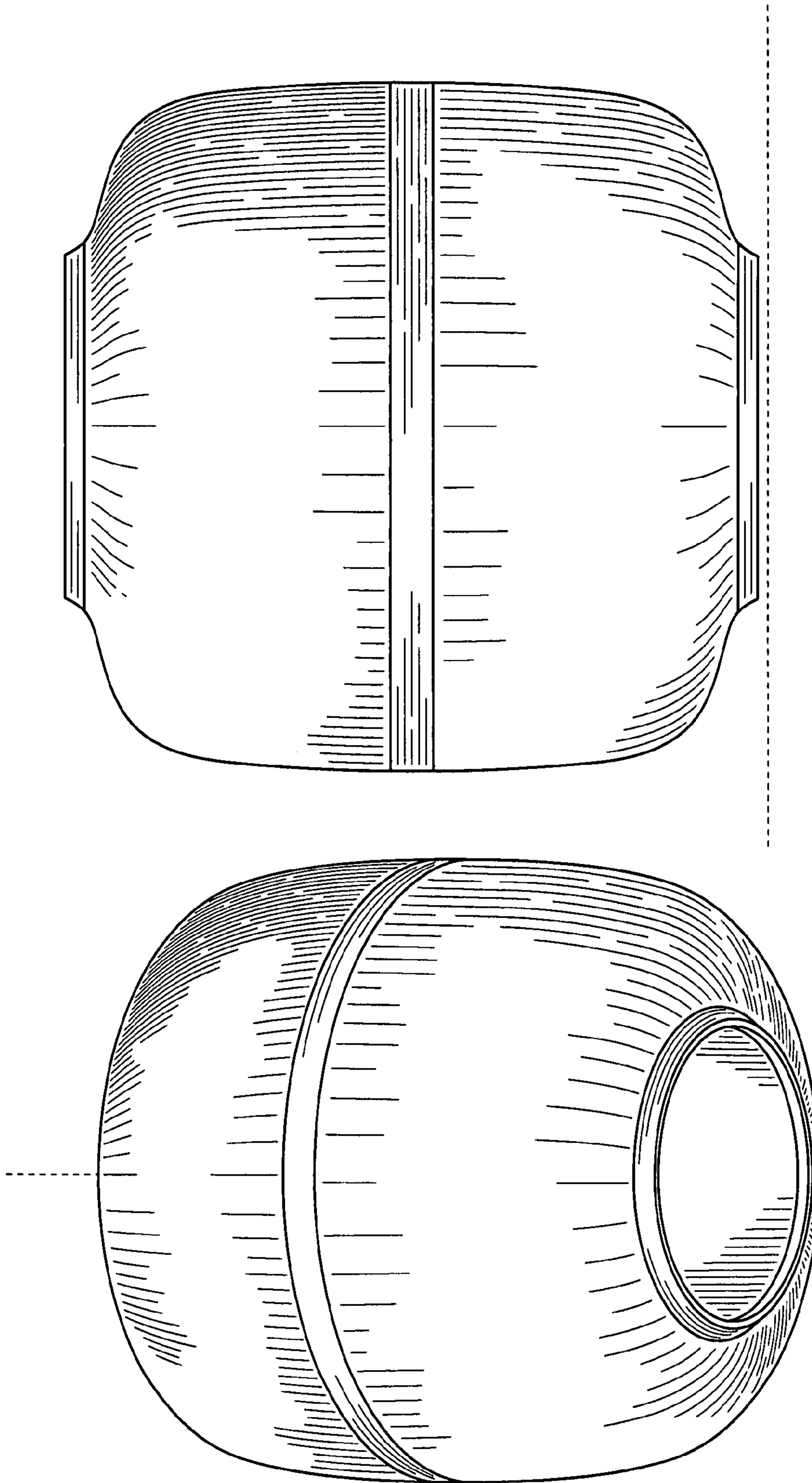


FIG. 4

FIG. 3

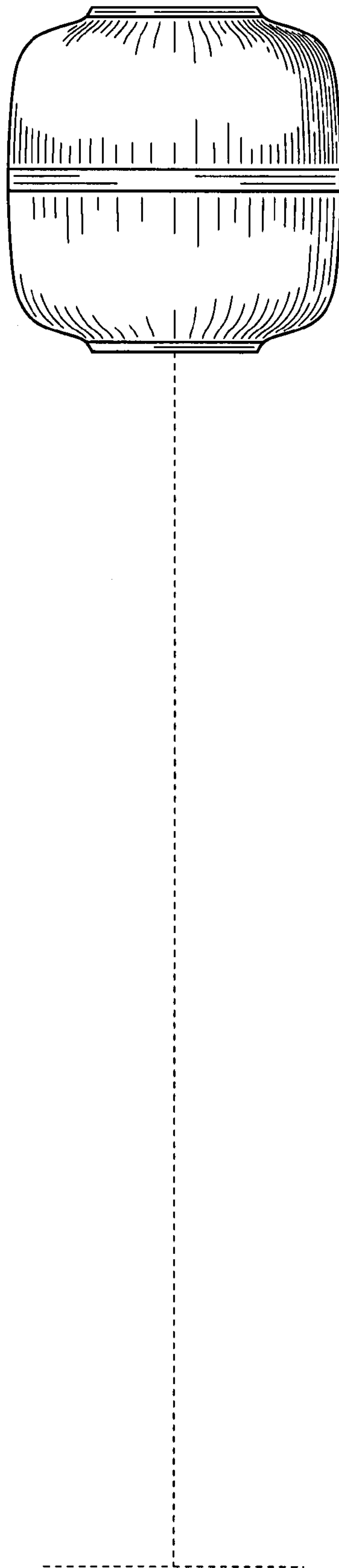


FIG. 5