



US00D553788S

(12) **United States Design Patent**
Holmes

(10) **Patent No.:** **US D553,788 S**

(45) **Date of Patent:** **** Oct. 23, 2007**

(54) **LAMP**

(75) Inventor: **Mark Holmes**, London (GB)

(73) Assignee: **e15 Design und Distributions GmbH**,
Oberursel (DE)

(**) Term: **14 Years**

(21) Appl. No.: **29/254,629**

(22) Filed: **Feb. 27, 2006**

(30) **Foreign Application Priority Data**

Aug. 25, 2005 (EM) 000396569

(51) **LOC (8) Cl.** **26-03**

(52) **U.S. Cl.** **D26/93**

(58) **Field of Classification Search** D26/51,
D26/58, 93-112; 362/410-414, 133, 253,
362/806; D6/396, 399, 432, 436, 448; 312/204,
312/107, 109, 237

See application file for complete search history.

(56) **References Cited**

U.S. PATENT DOCUMENTS

D131,625 S * 3/1942 Wright D6/399
4,506,314 A * 3/1985 Moore 362/267
5,829,864 A * 11/1998 Scanlan 362/127

* cited by examiner

Primary Examiner—Ian Simmons

Assistant Examiner—Linda Brooks

(74) *Attorney, Agent, or Firm*—Dennison, Schultz &
MacDonald

(57) **CLAIM**

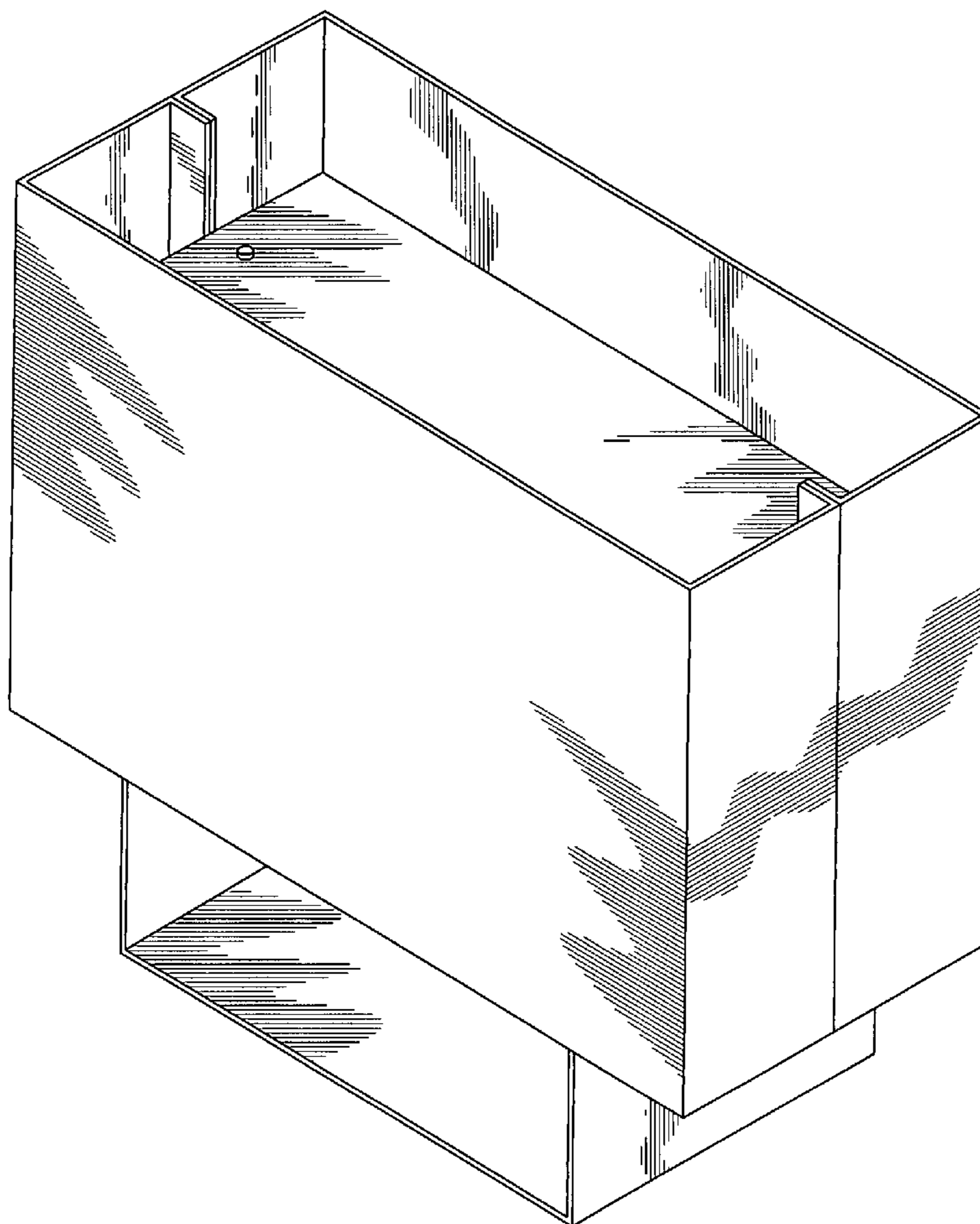
The ornamental design for a lamp, as shown and described.

DESCRIPTION

FIG. 1 is a first perspective view of a lamp showing my new design; and,

FIG. 2 is a second perspective view of a lamp showing my new design.

1 Claim, 2 Drawing Sheets



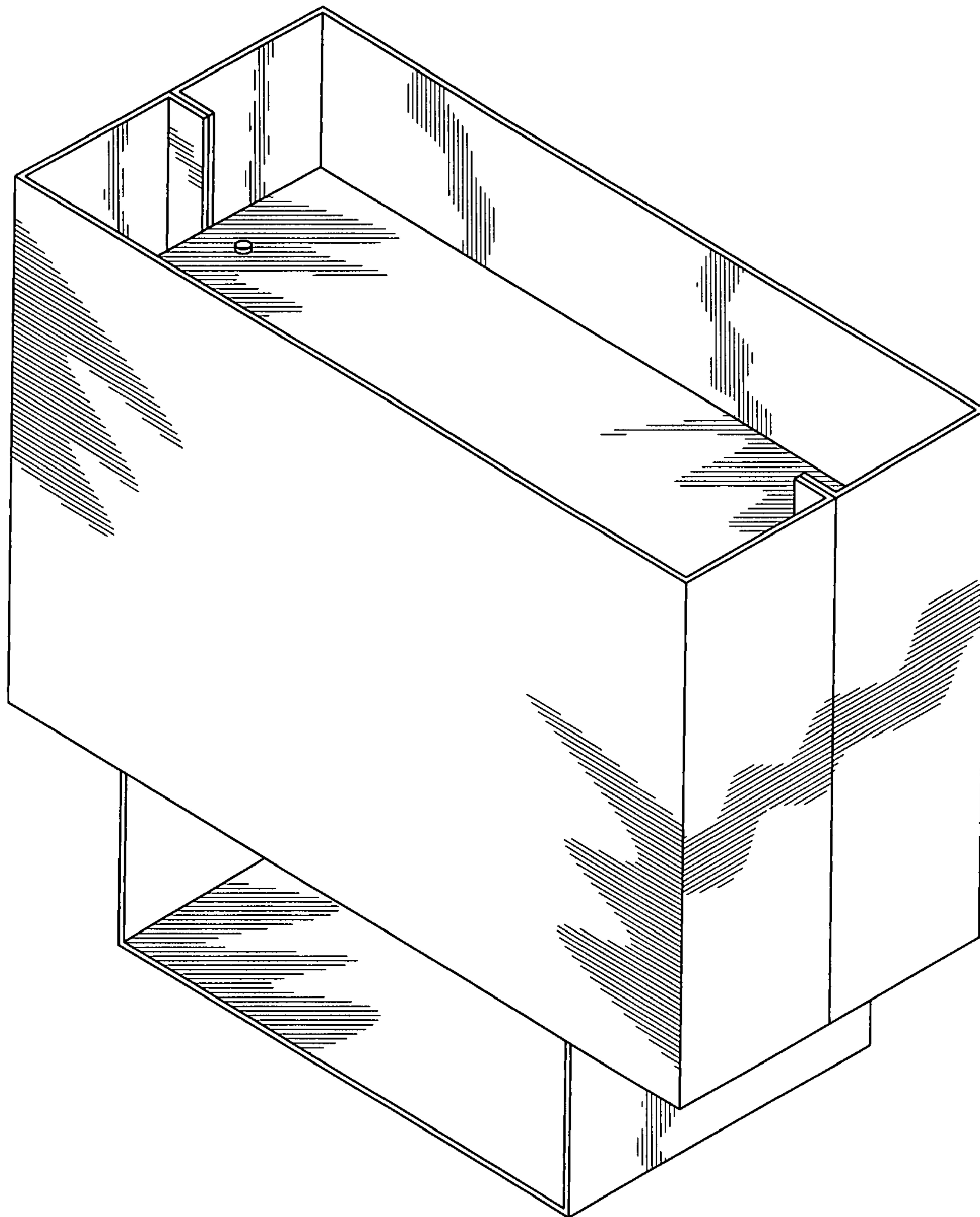


FIG. 1

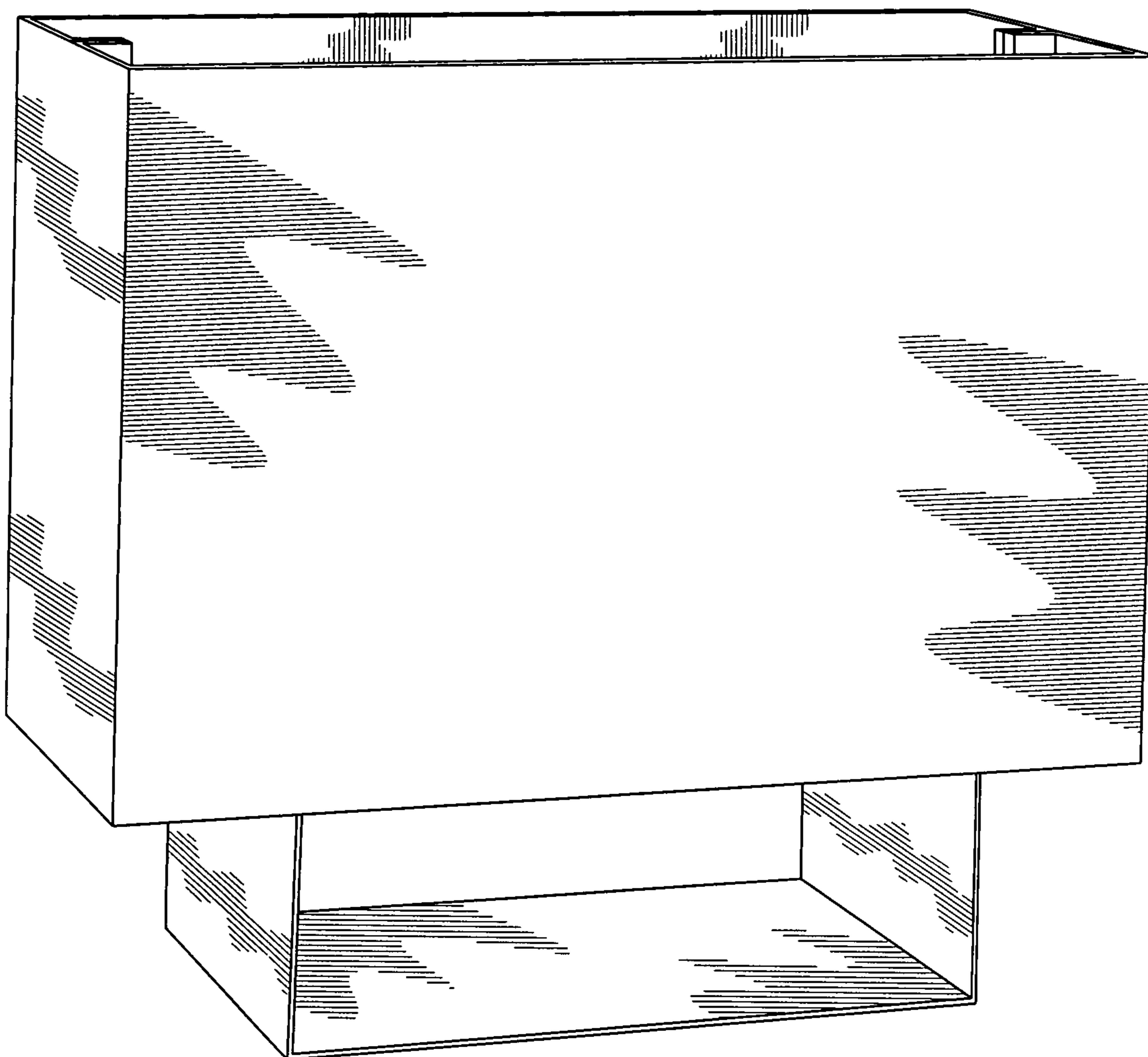


FIG. 2