



US00D553787S

(12) **United States Design Patent**
Hammond

(10) **Patent No.:** **US D553,787 S**

(45) **Date of Patent:** **** Oct. 23, 2007**

(54) **SUSPENDED LUMINAIRE**

(76) Inventor: **Douglas S. Hammond**, 3153 Albright Rd., SE., Newark, OH (US) 43056

(**) Term: **14 Years**

(21) Appl. No.: **29/246,917**

(22) Filed: **May 19, 2006**

(51) **LOC (8) Cl.** **26-03**

(52) **U.S. Cl.** **D26/88**

(58) **Field of Classification Search** D26/72,
D26/85, 88, 89, 91, 124, 128-136; D23/377,
D23/379, 411; 362/147, 404-408, 362, 363,
362/350, 310, 326, 329

See application file for complete search history.

(56) **References Cited**

U.S. PATENT DOCUMENTS

736,535 A	8/1903	Mygatt	
D53,231 S	4/1919	Adam	
D56,846 S	1/1921	Adam	
D60,308 S	2/1922	Blackwell	
D60,310 S	2/1922	Blackwell	
D61,360 S	8/1922	Blackwell	
1,440,733 A	1/1923	Guth	
D65,263 S *	7/1924	Gillinder D26/132
D66,377 S *	1/1925	Markel D26/132
1,699,100 A	1/1929	Dorey	
D86,453 S	3/1932	Gunnison	
D87,184 S *	6/1932	Ainsworth D26/88
D99,754 S	5/1936	Ross et al.	
2,132,784 A	10/1938	Guth	
2,133,378 A	10/1938	Cullman	
4,969,074 A	11/1990	Davis et al.	
D343,245 S	1/1994	Fouke et al.	
D343,250 S	1/1994	Fouke et al.	
D343,251 S	1/1994	Fouke et al.	
D344,606 S	2/1994	Fouke et al.	
D345,432 S	3/1994	Gruber et al.	

D345,433 S	3/1994	Gruber et al.	
D345,434 S	3/1994	Gruber et al.	
D347,486 S	5/1994	Gruber et al.	
D350,622 S	9/1994	Gruber et al.	
5,434,765 A	7/1995	Kelly et al.	
D377,991 S	2/1997	Vakil	
D399,331 S	10/1998	Greene et al.	
D399,332 S	10/1998	Greene et al.	
D399,333 S	10/1998	Greene et al.	
D400,286 S *	10/1998	Greene et al. D26/88
D420,163 S *	2/2000	Fouke D26/88
6,027,231 A	2/2000	Fouke	
D440,341 S	4/2001	Arumugasaamy	
6,336,734 B1	1/2002	Arumugasaamy	
D461,267 S	8/2002	Arumugasaamy	
D481,155 S	10/2003	Cline et al.	

* cited by examiner

Primary Examiner—Clare E Heflin

(74) *Attorney, Agent, or Firm*—James R. Eley; Michael A. Forhan; Eley Law Firm Co.

(57) **CLAIM**

The ornamental design for a suspended luminaire, as shown and described.

DESCRIPTION

FIG. 1 is a front elevational view of the suspended luminaire showing my new design;

FIG. 2 is a right side elevational view thereof, where the left side elevational view is a mirror image of this view, and, therefore, has been omitted;

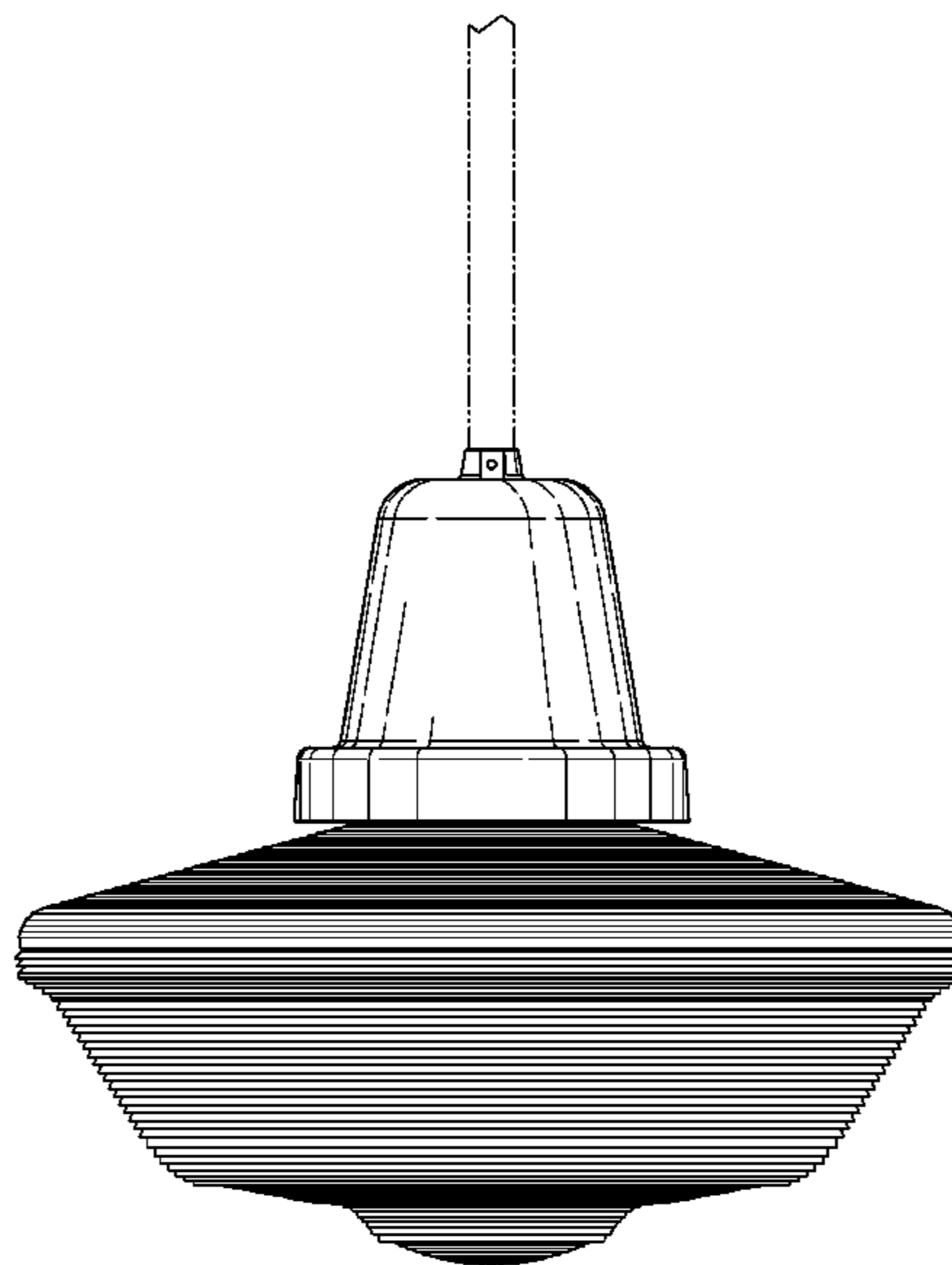
FIG. 3 is a rear elevational view thereof;

FIG. 4 is a top plan view thereof; and,

FIG. 5 is a bottom plan view thereof.

The broken lines are shown for illustrative purposes only and form no part of the claimed design.

1 Claim, 5 Drawing Sheets



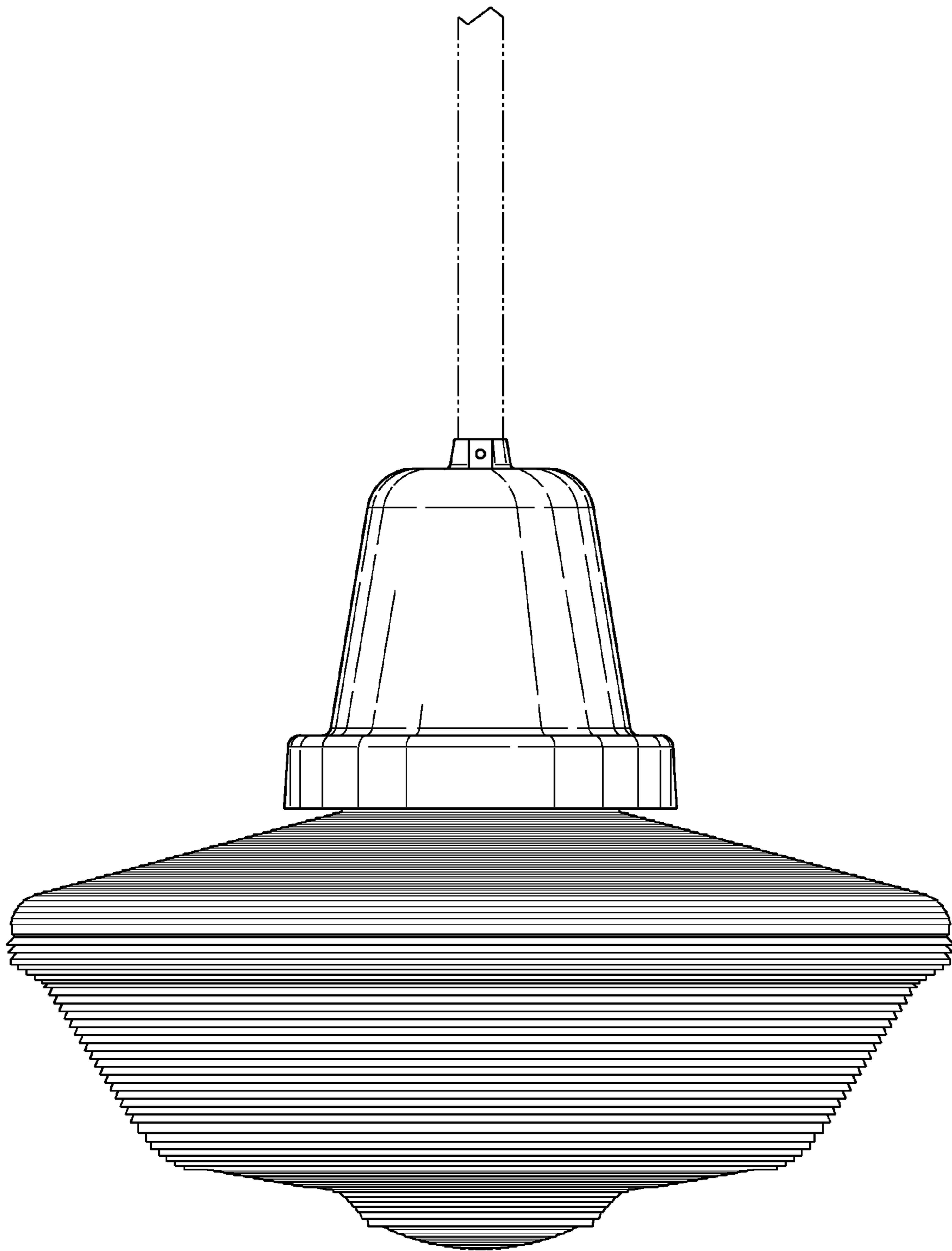


Fig. 1

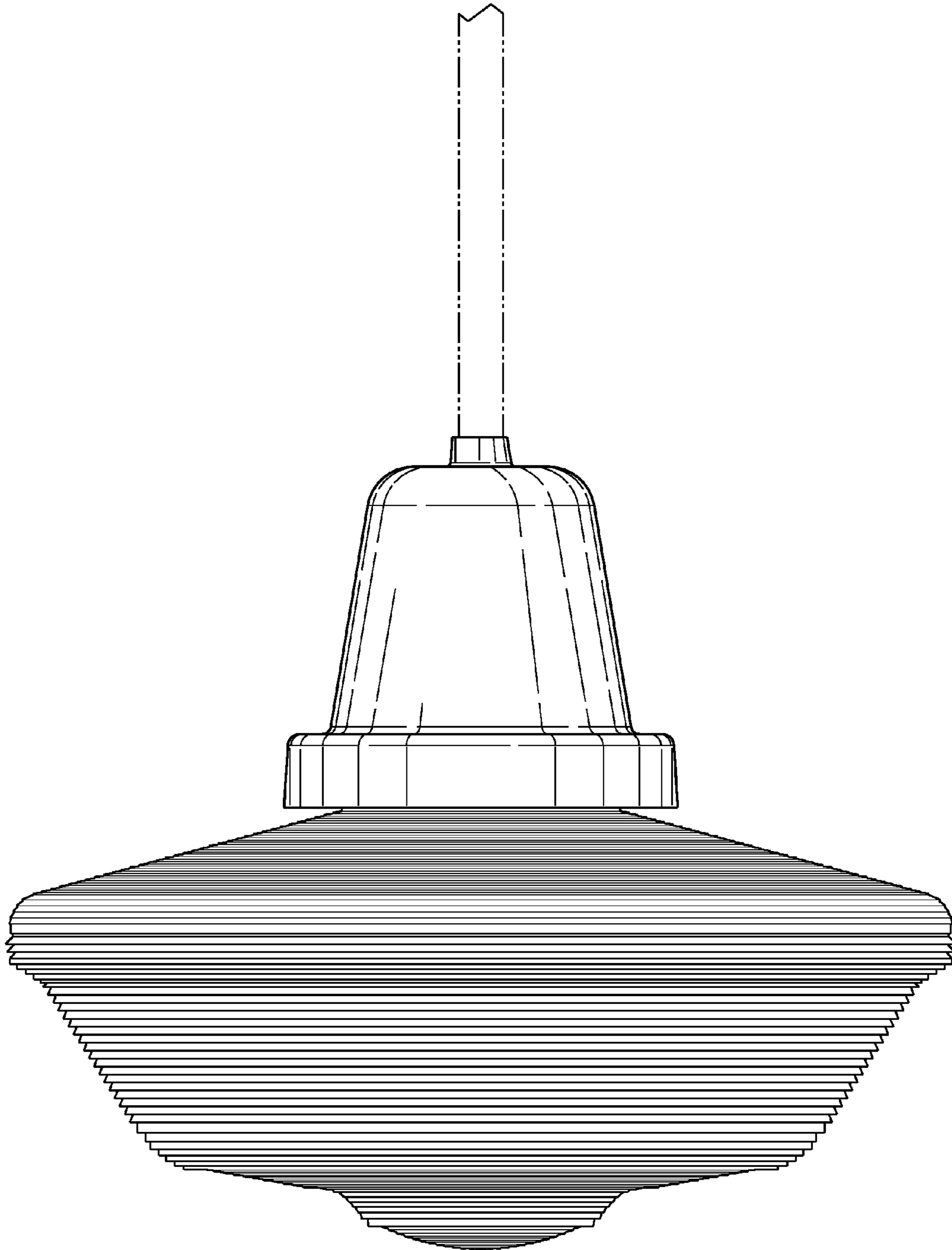


Fig. 2

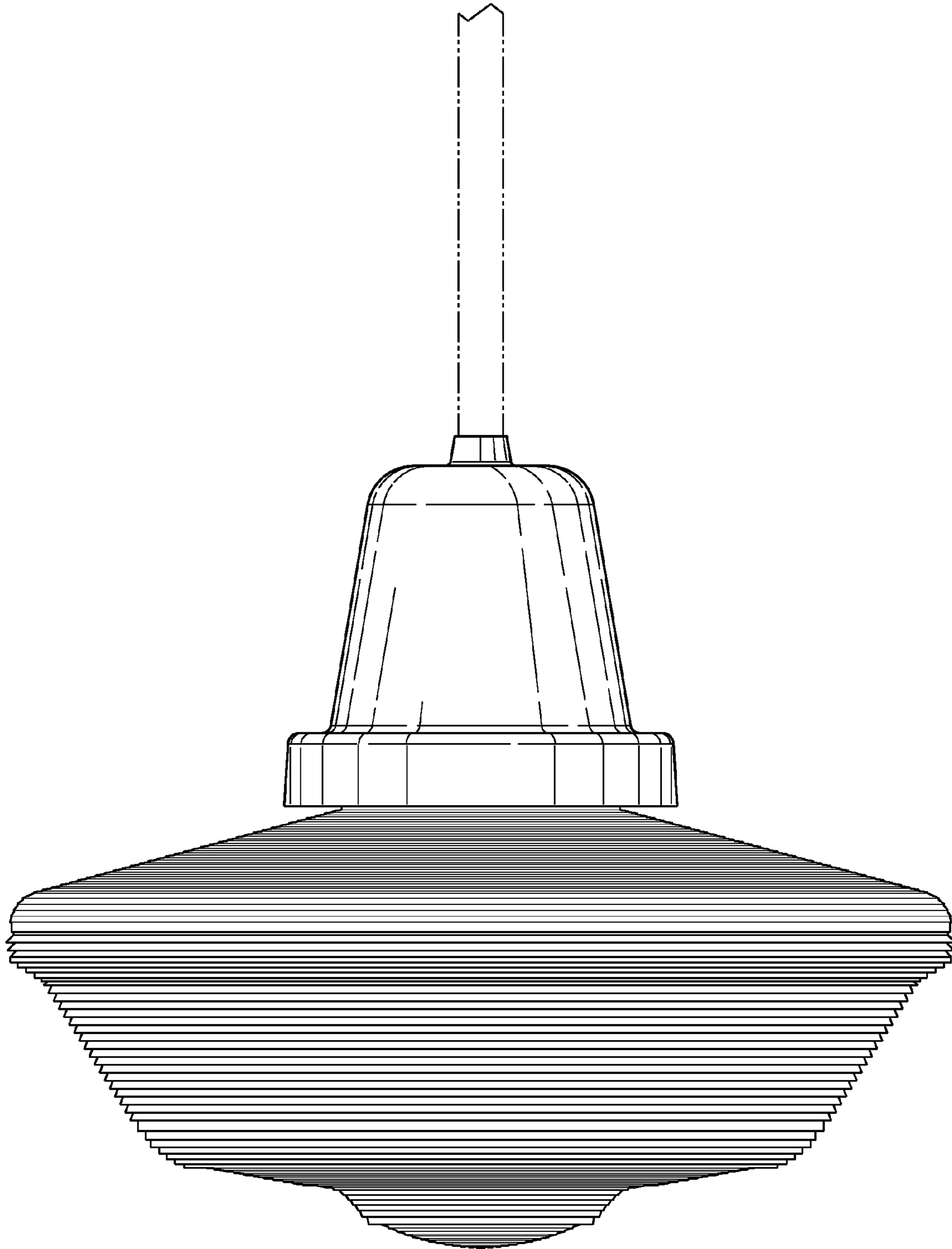


Fig. 3

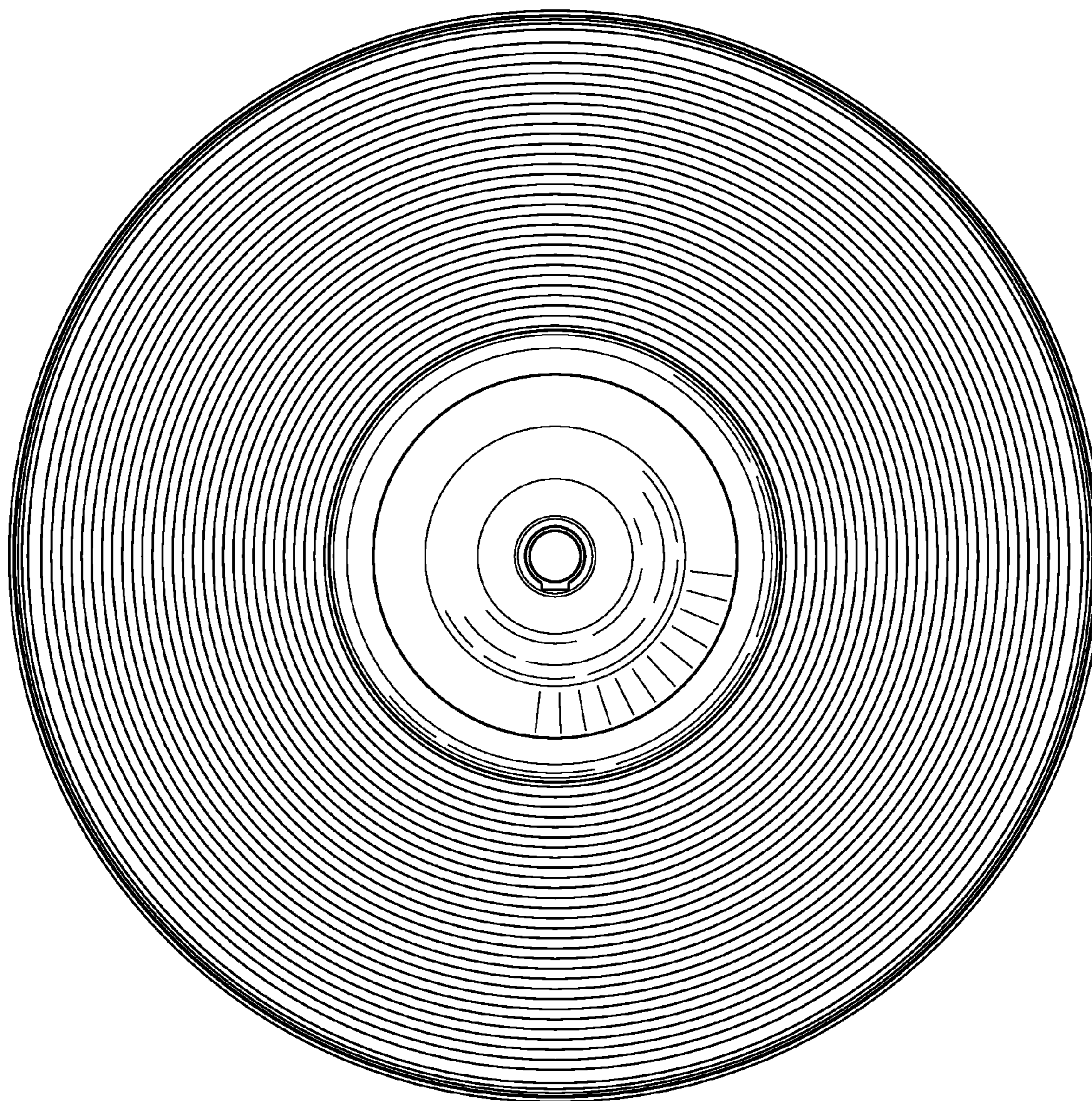


Fig. 4

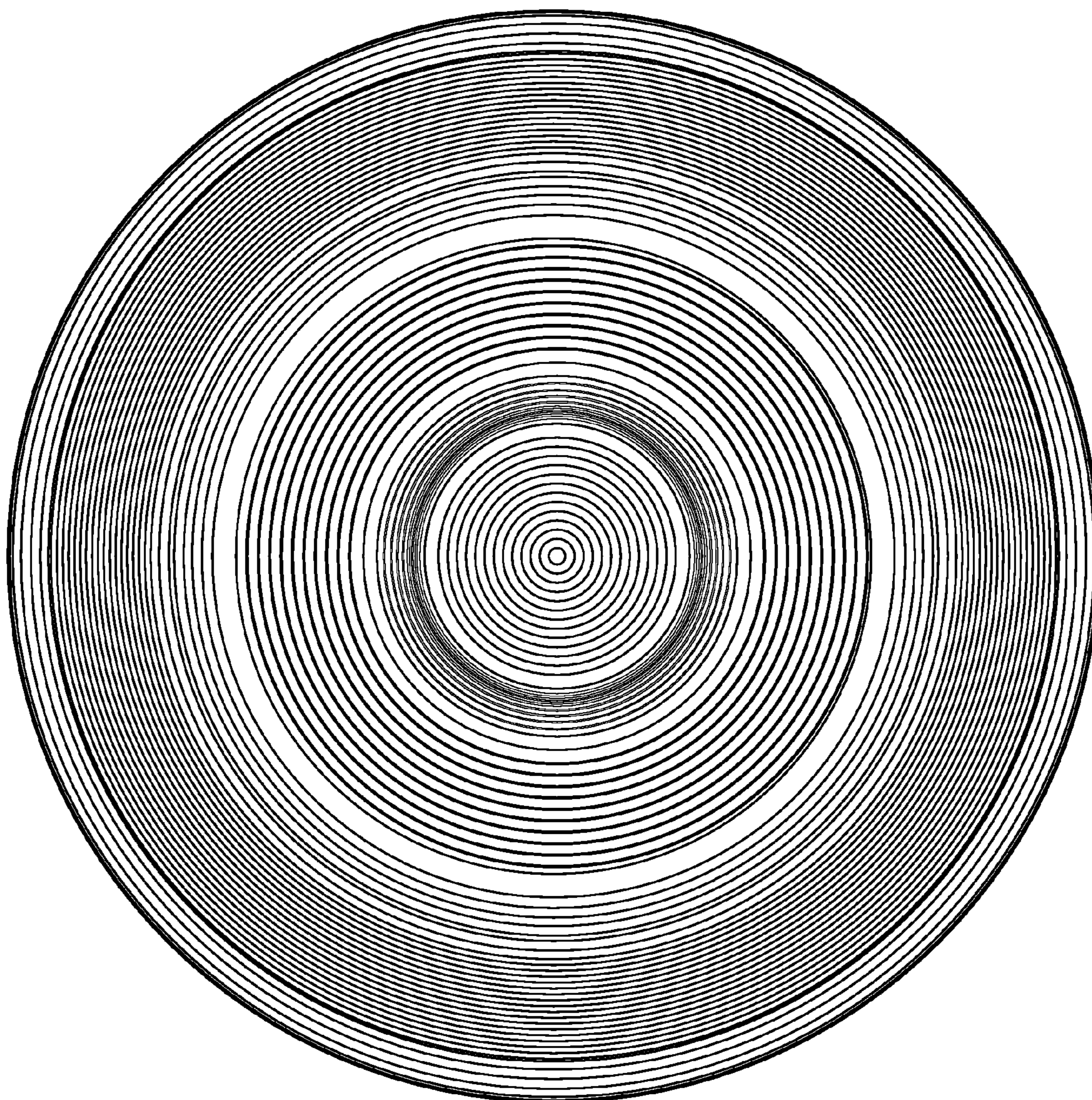


Fig. 5