



US00D553785S

(12) **United States Design Patent**
Dye

(10) **Patent No.:** **US D553,785 S**

(45) **Date of Patent:** **** Oct. 23, 2007**

(54) **LIGHTING FIXTURE**

D504,502 S * 4/2005 Young D23/377

(75) Inventor: **David L. Dye**, Grapevine, TX (US)

OTHER PUBLICATIONS

(73) Assignee: **Craftmade International, Inc.**,
Coppell, TX (US)

“Cordele” Close-to Ceiling Light Fixture #75045-799 on p. 17 of
the SeaGull Lighting Catalog (C)2003.*
Wall Bracket #WB1194CB on p. 154 of the Murray Feiss 2004
Edition “Big Book”.*

(**) Term: **14 Years**

* cited by examiner

(21) Appl. No.: **29/230,584**

Primary Examiner—Clare E Heflin

(22) Filed: **May 24, 2005**

(74) *Attorney, Agent, or Firm*—Haynes and Boone, LLP

(51) **LOC (8) Cl.** **26-03**

(57) **CLAIM**

(52) **U.S. Cl.** **D26/88**

The ornamental design for a lighting fixture, as shown and
described.

(58) **Field of Classification Search** D26/72,
D26/85, 88, 89, 91, 124, 128–136; D23/377,
D23/379, 411; 362/147, 404–408, 362, 363,
362/350, 310, 326, 329

DESCRIPTION

See application file for complete search history.

FIG. 1 is a perspective view of the lighting fixture showing
my new design;

(56) **References Cited**

FIG. 2 is a front elevational view thereof, the rear elevational
view being the same;

U.S. PATENT DOCUMENTS

FIG. 3 is a right side elevational view thereof, the left side
elevational view being the same;

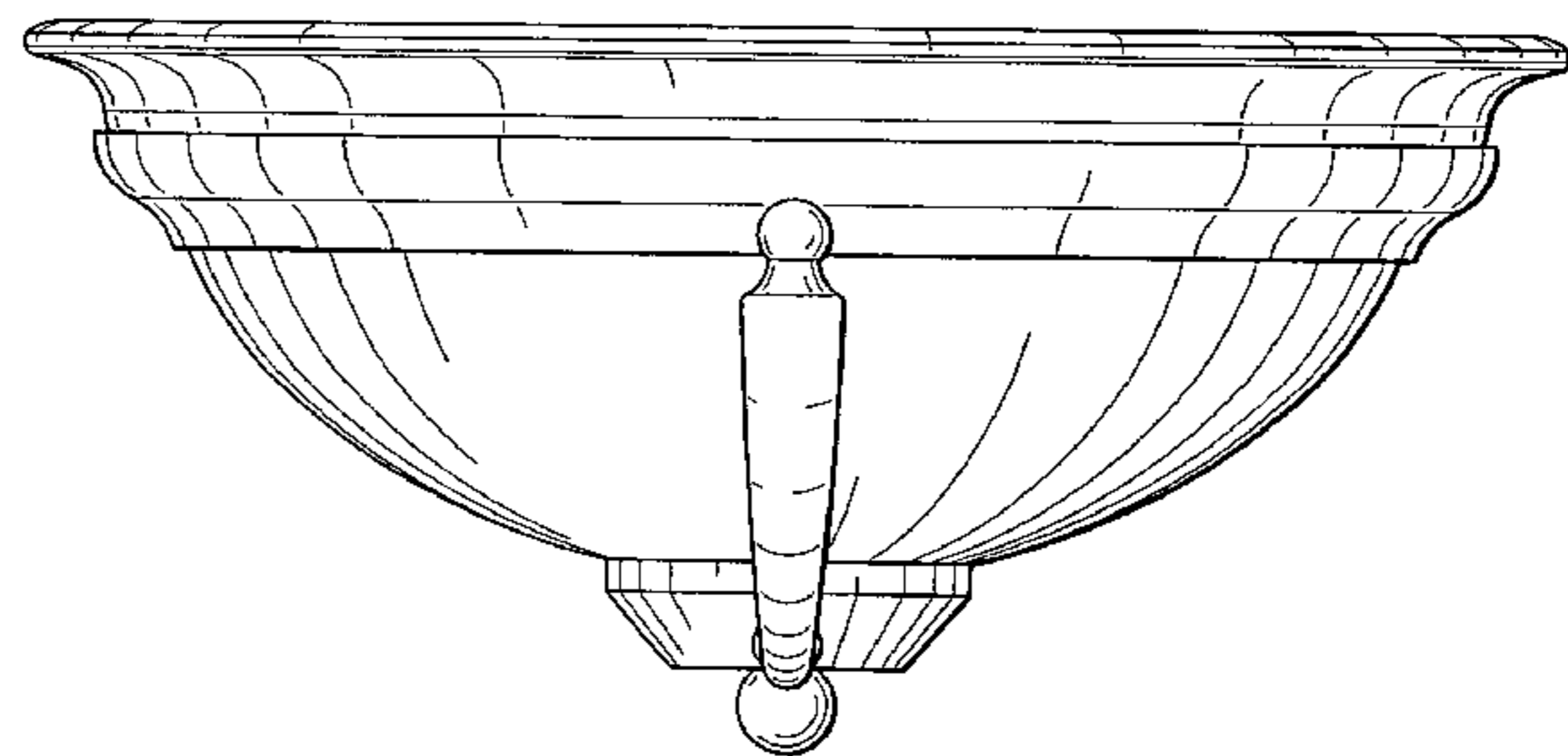
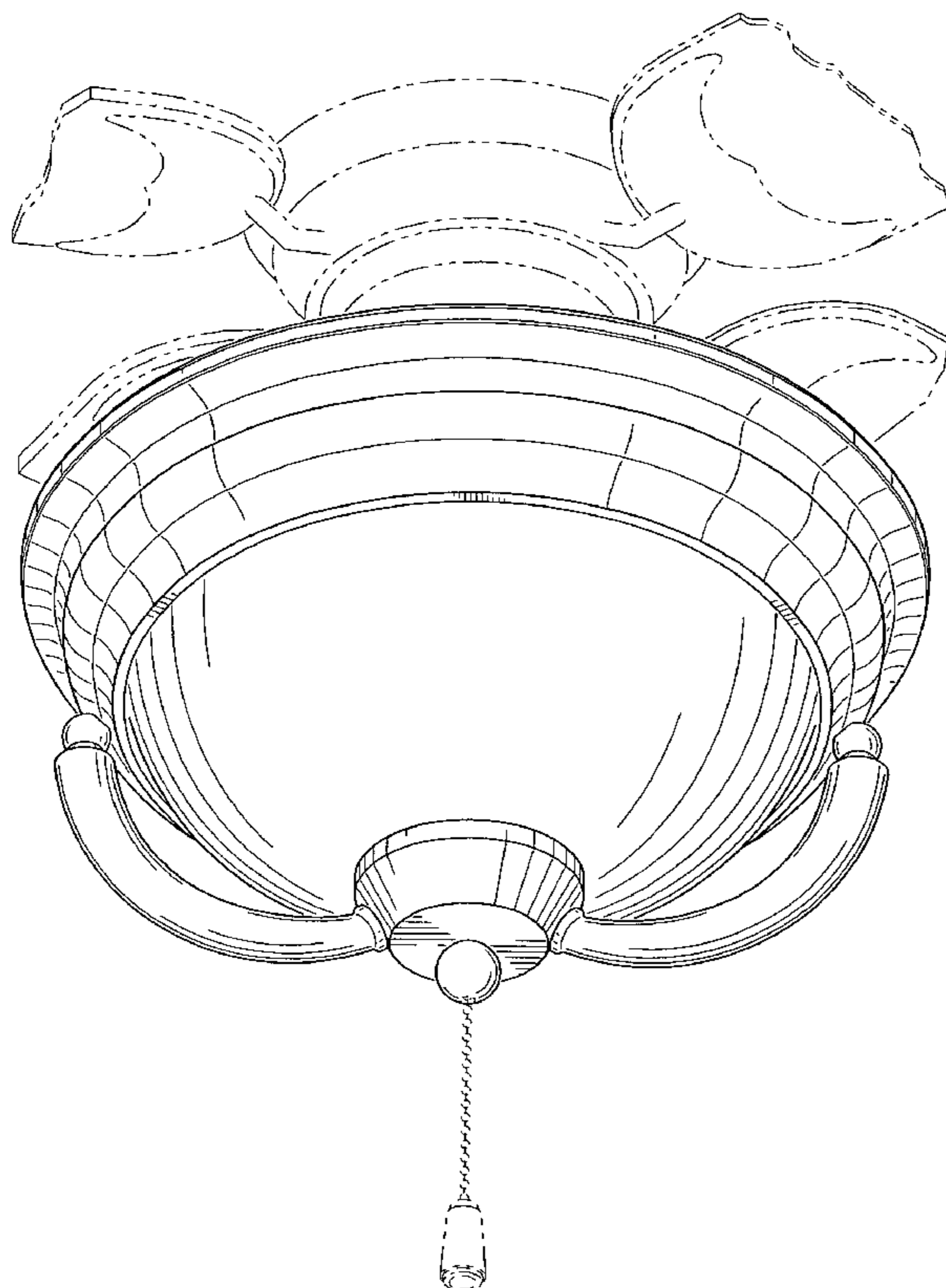
- D7,931 S * 12/1874 Trudeau D26/131
- 1,844,651 A * 2/1932 Halvorson 362/427
- D88,756 S * 12/1932 Cook D26/88
- D110,725 S * 8/1938 McFadden D26/88
- D228,147 S * 8/1973 Boros D26/88
- D307,060 S * 4/1990 Fraser D26/88
- D342,338 S * 12/1993 Thun D26/88
- D421,799 S * 3/2000 Zuege D23/411

FIG. 4 is a top plan view thereof; and,

FIG. 5 is a bottom plan view thereof.

Any broken line illustration of environmental structure in
the drawings is not part of the design sought to be patented.

1 Claim, 4 Drawing Sheets



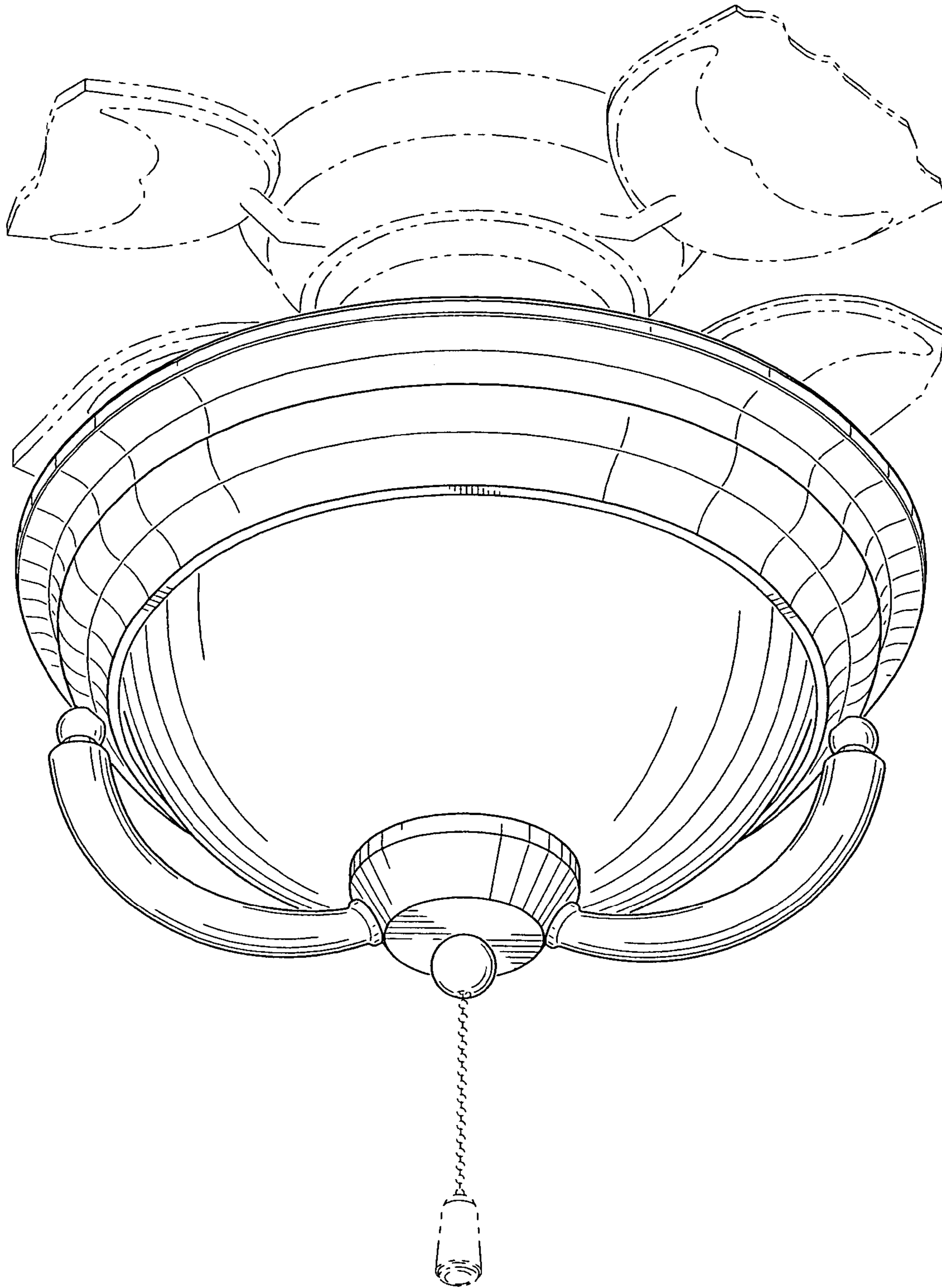


Fig. 1

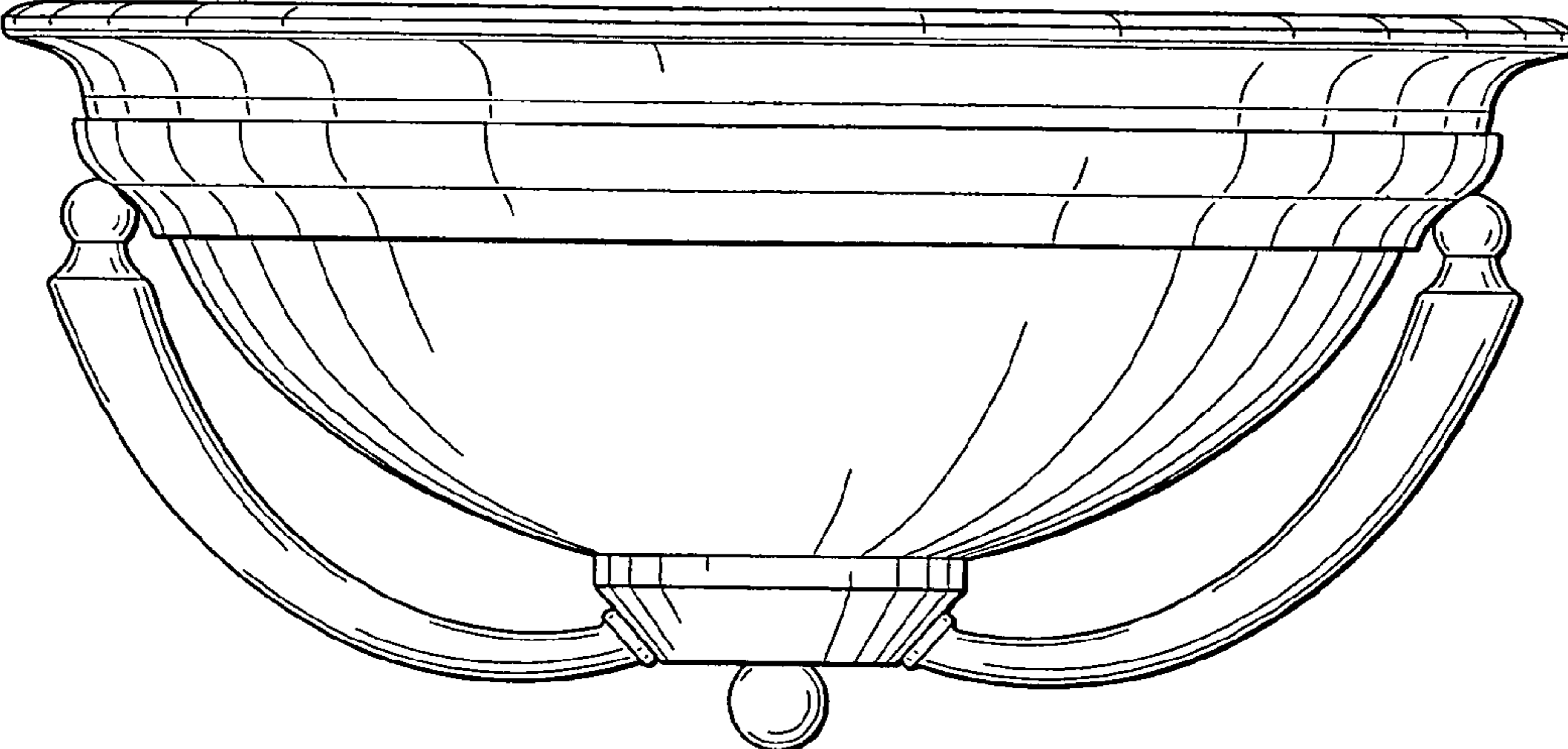


Fig. 2

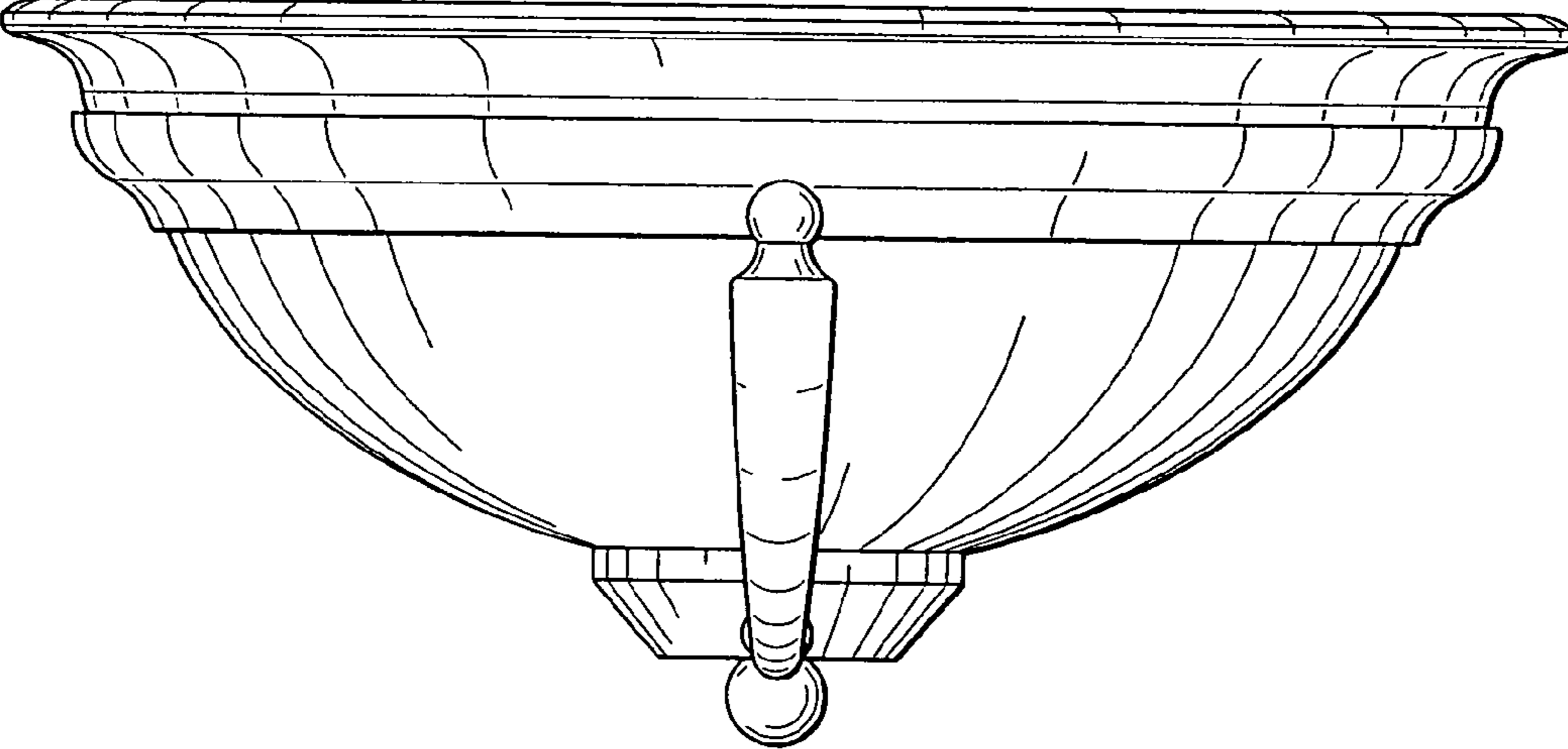


Fig. 3

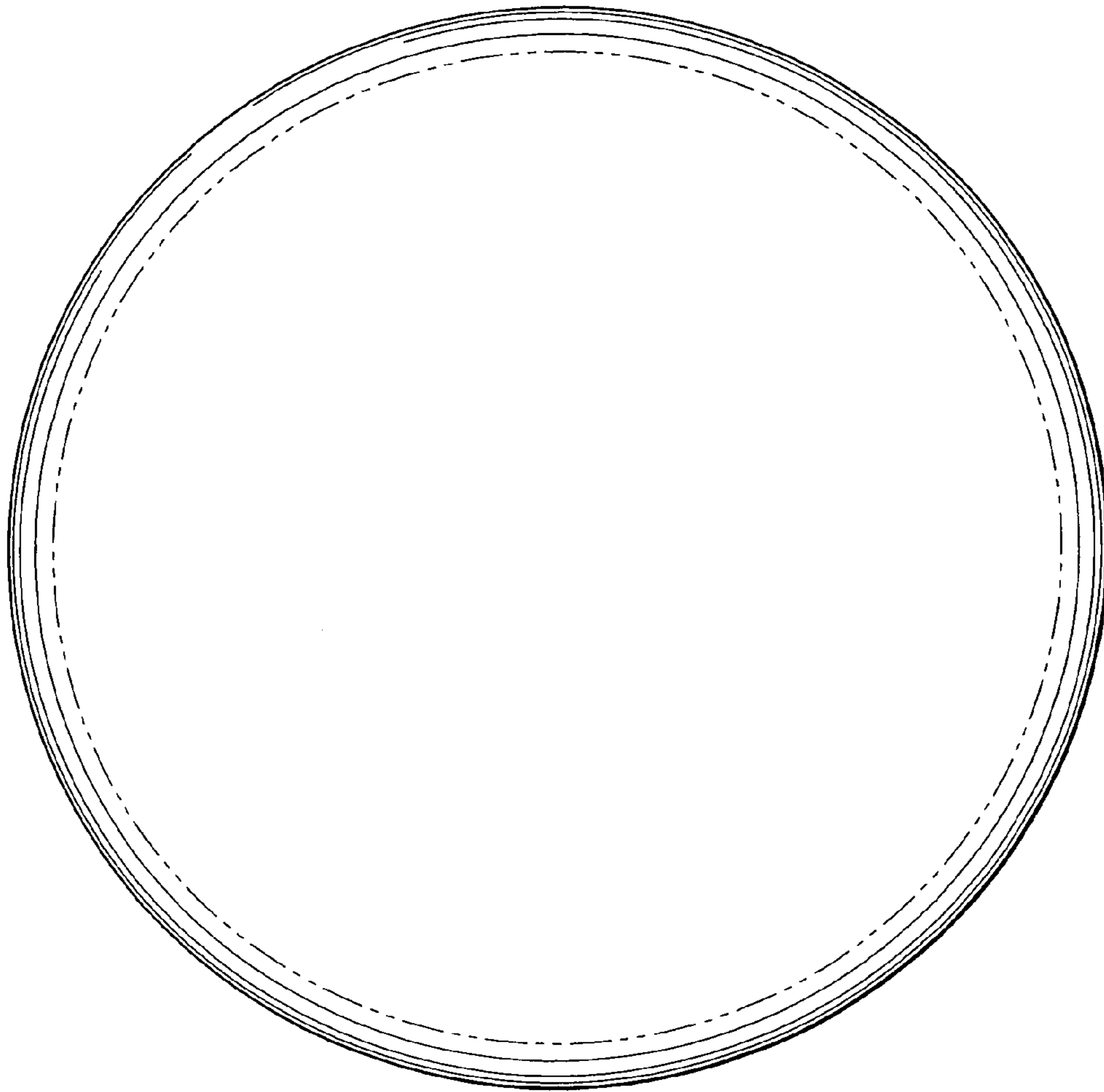


Fig. 4

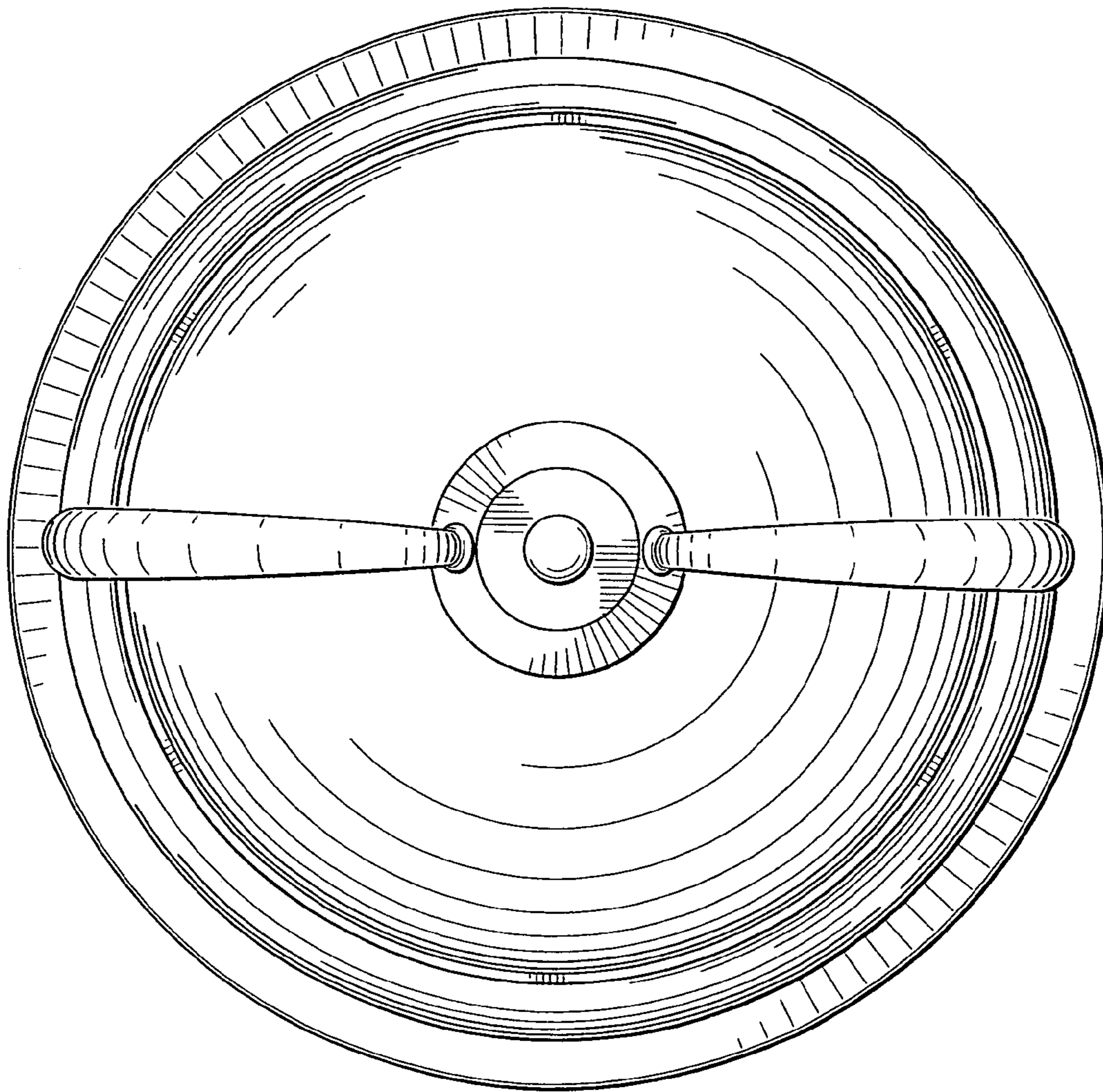


Fig. 5