

US00D553779S

(12) **United States Design Patent**
Butler

(10) **Patent No.:** **US D553,779 S**

(45) **Date of Patent:** **** Oct. 23, 2007**

(54) **POST-TOP LUMINAIRE**

(75) Inventor: **Doyle Scott Butler**, Dunwoody, GA (US)

(73) Assignee: **Acuity Brands, Inc.**, Atlanta, GA (US)

(**) Term: **14 Years**

(21) Appl. No.: **29/248,076**

(22) Filed: **Jul. 27, 2006**

(51) **LOC (8) Cl.** **26-05**

(52) **U.S. Cl.** **D26/67**

(58) **Field of Classification Search** D26/8, D26/67, 68, 71, 118, 128-130; 362/145, 362/152, 153, 153.1, 183, 266, 431, 312, 362/314, 356, 363, 415, 806; 431/320
See application file for complete search history.

(56) **References Cited**

U.S. PATENT DOCUMENTS

- 572,354 A * 12/1896 Buckner 248/219.2
- D192,125 S * 1/1962 Lasker D26/67
- D444,584 S * 7/2001 Landefeld D26/67
- D484,632 S * 12/2003 Lamolinara et al. D26/67

- D504,536 S * 4/2005 Emory et al. D26/67
- D529,218 S * 9/2006 Wen D26/68
- D529,653 S * 10/2006 Galipeau et al. D26/67

* cited by examiner

Primary Examiner—Clare E Heflin

(74) *Attorney, Agent, or Firm*—Needle & Rosenberg, P.C

(57) **CLAIM**

The ornamental design for a post-top luminaire, as shown and described.

DESCRIPTION

FIG. 1 is a perspective view of a post-top luminaire of the present invention;

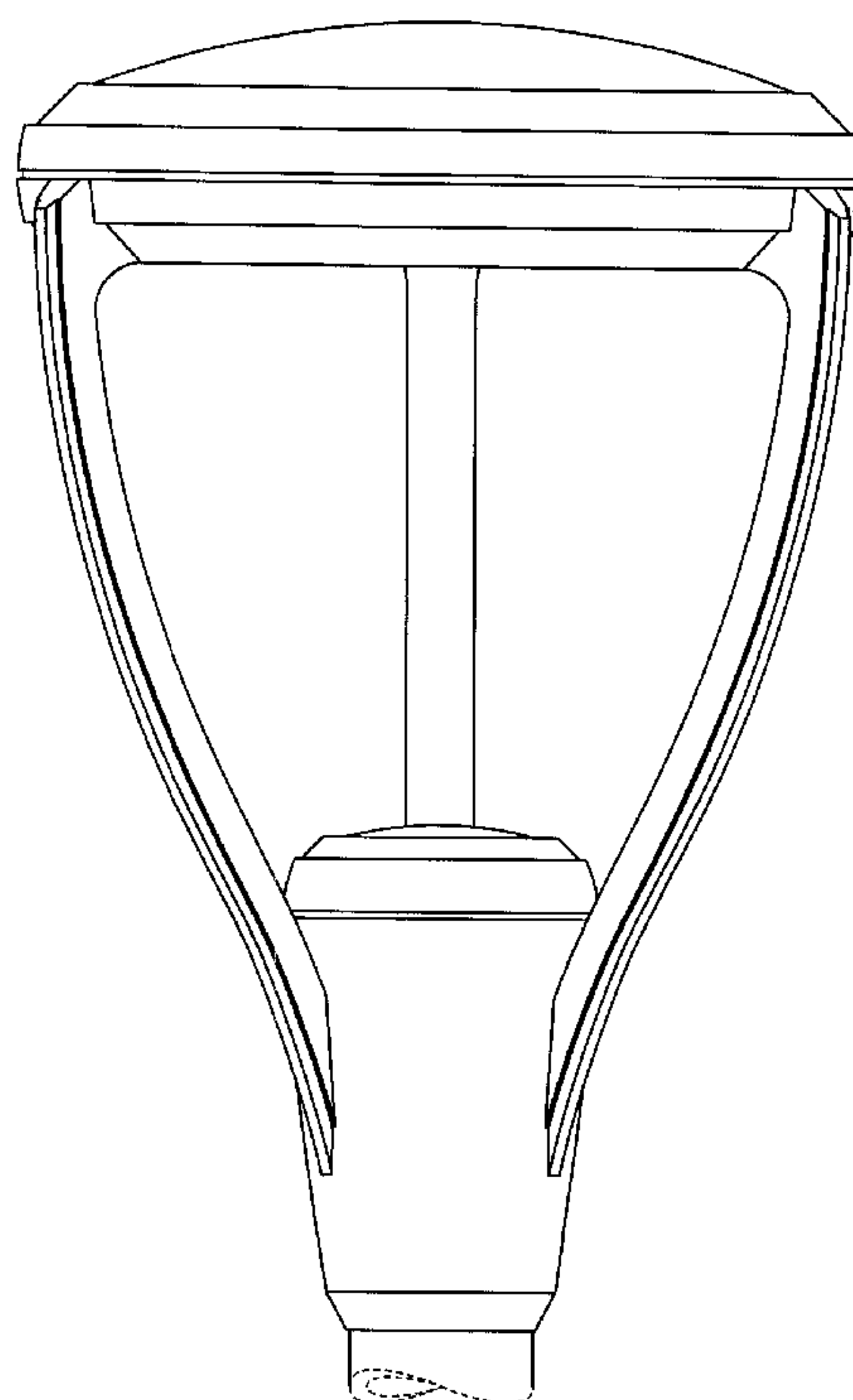
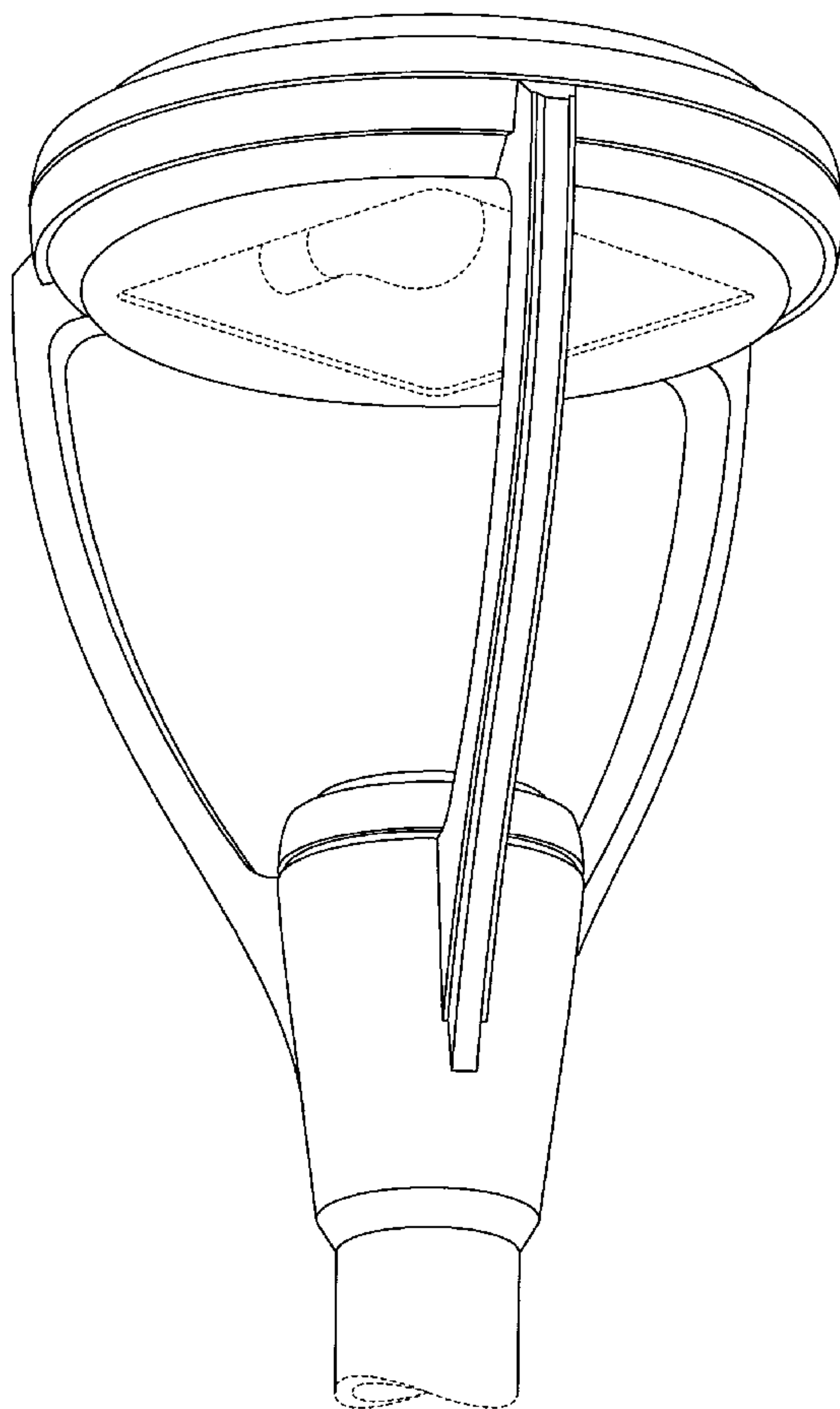
FIG. 2 is a front elevational view of the post-top luminaire of FIG. 1;

FIG. 3 is a rear elevational view of the post-top luminaire of FIG. 1; and,

FIG. 4 is a top plan view of the post-top luminaire of FIG. 1.

The broken lines shown on the drawings are for illustrative purposes only and form no part of the claimed design.

1 Claim, 3 Drawing Sheets



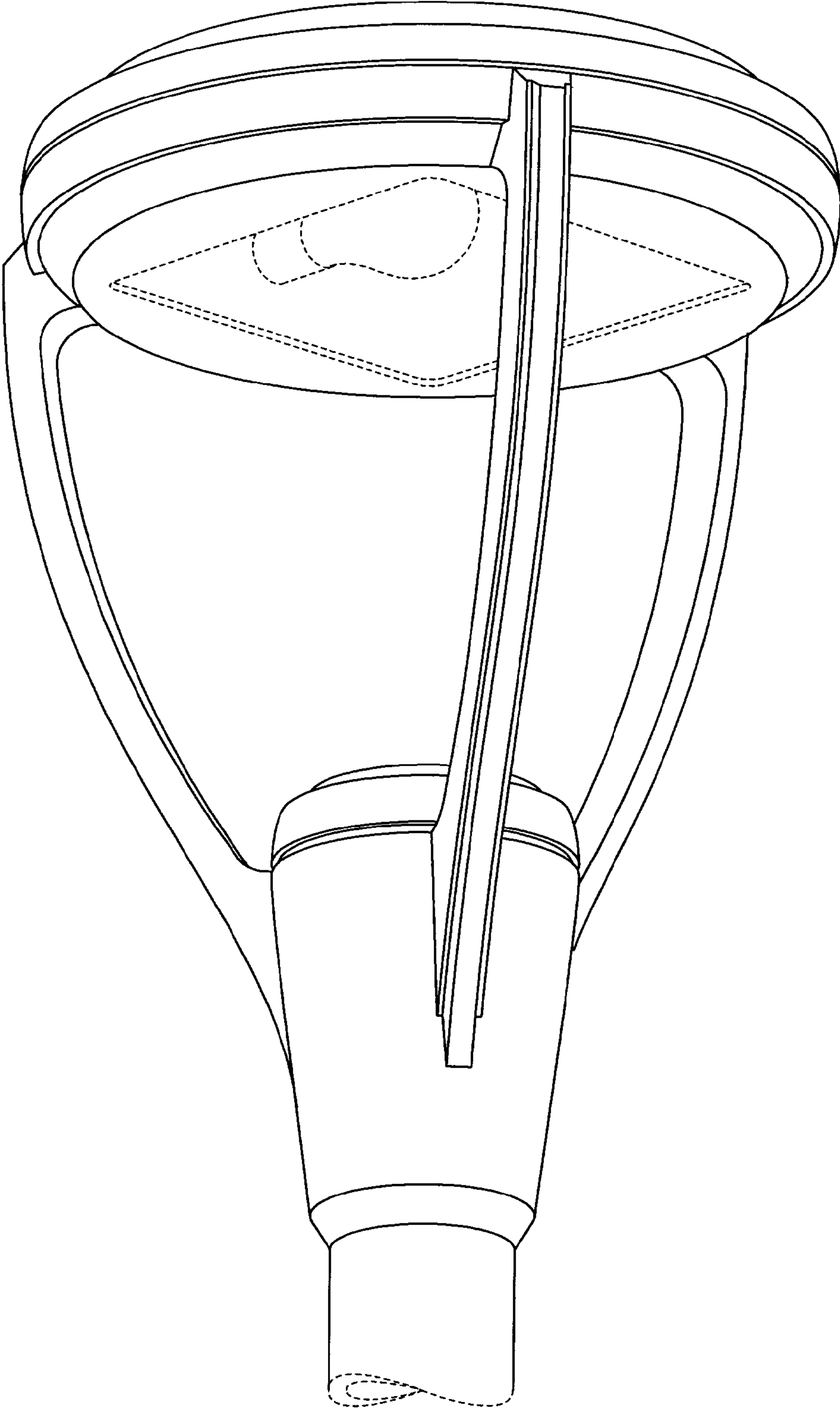


FIG. 1

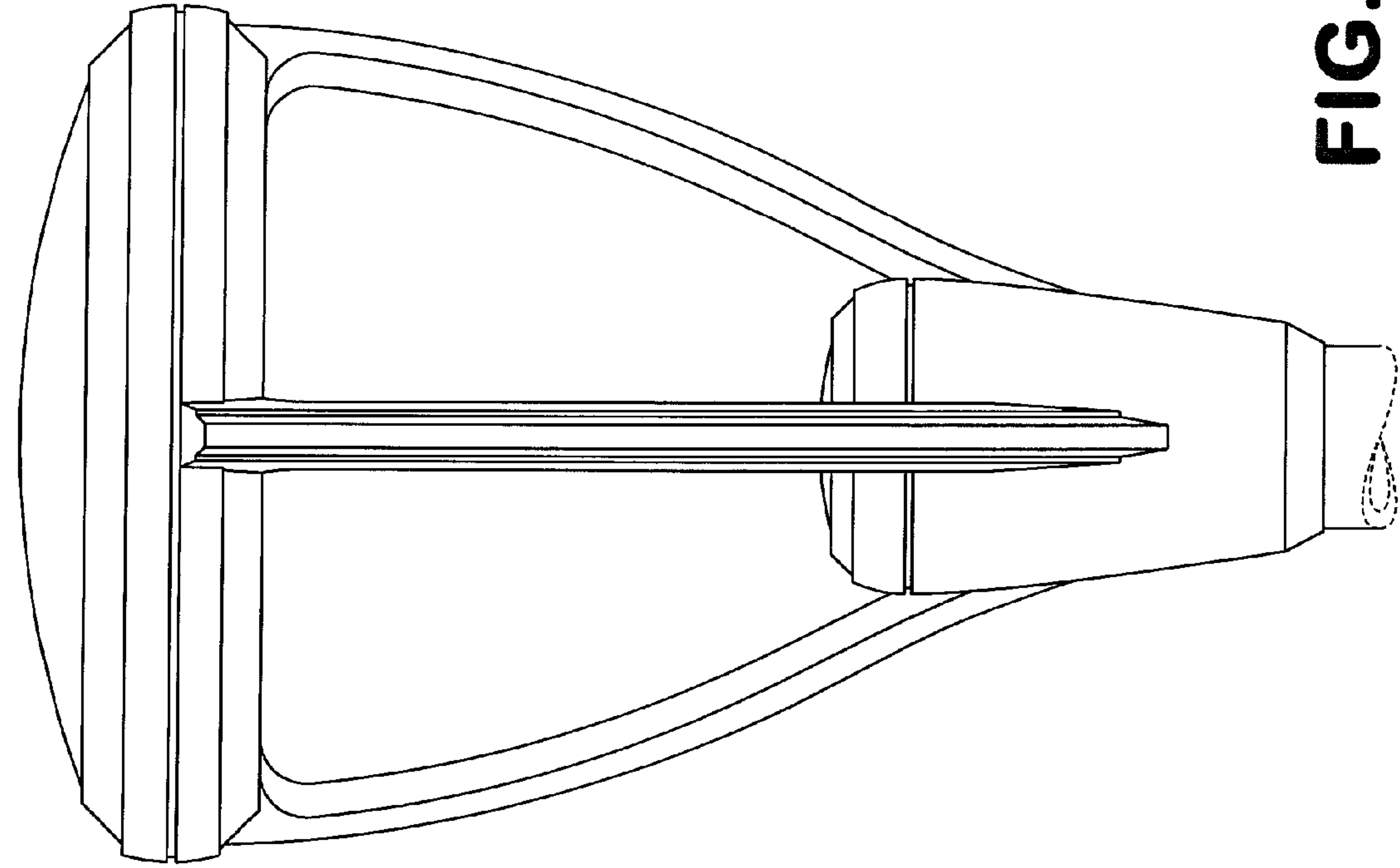


FIG. 2

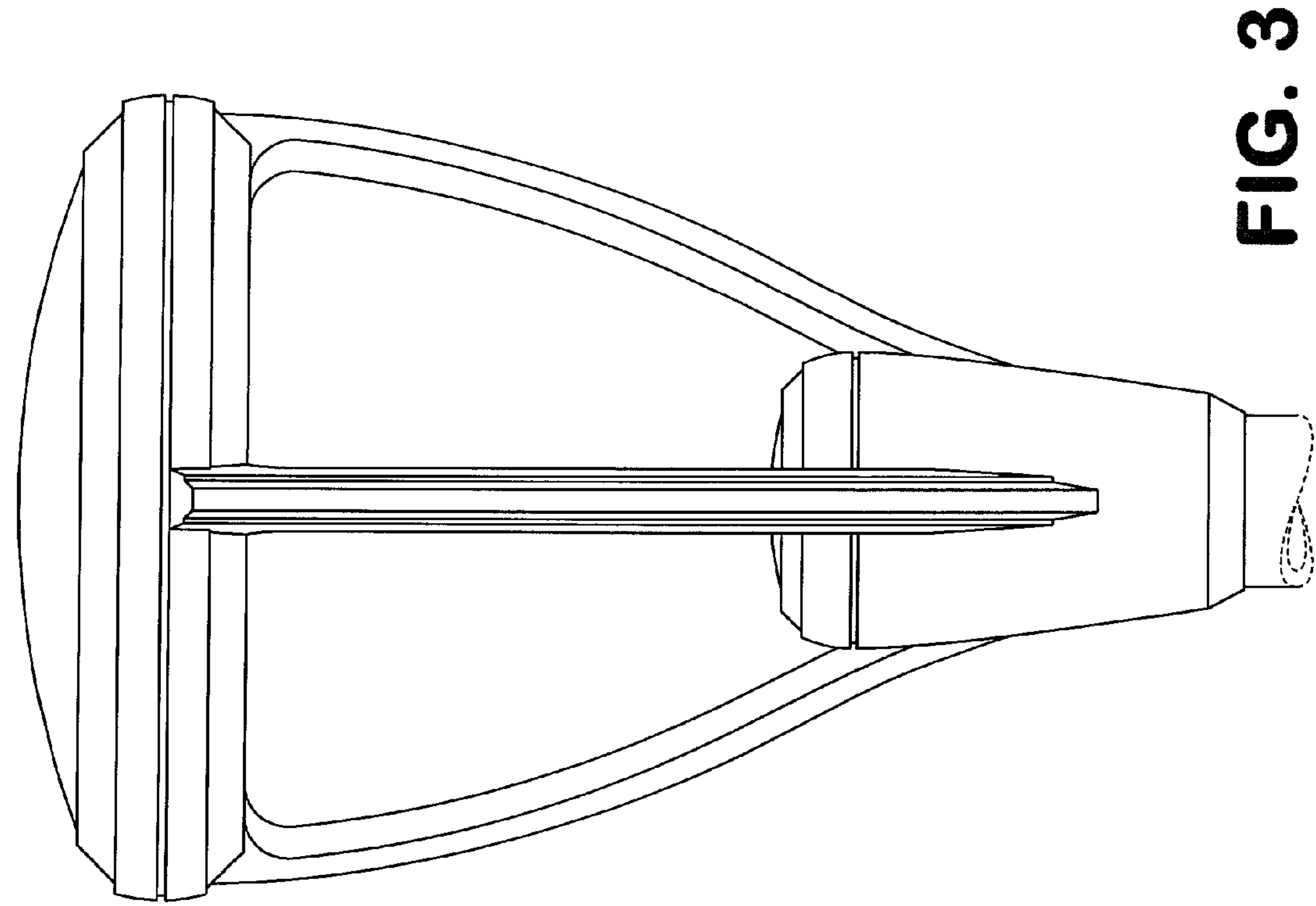


FIG. 3

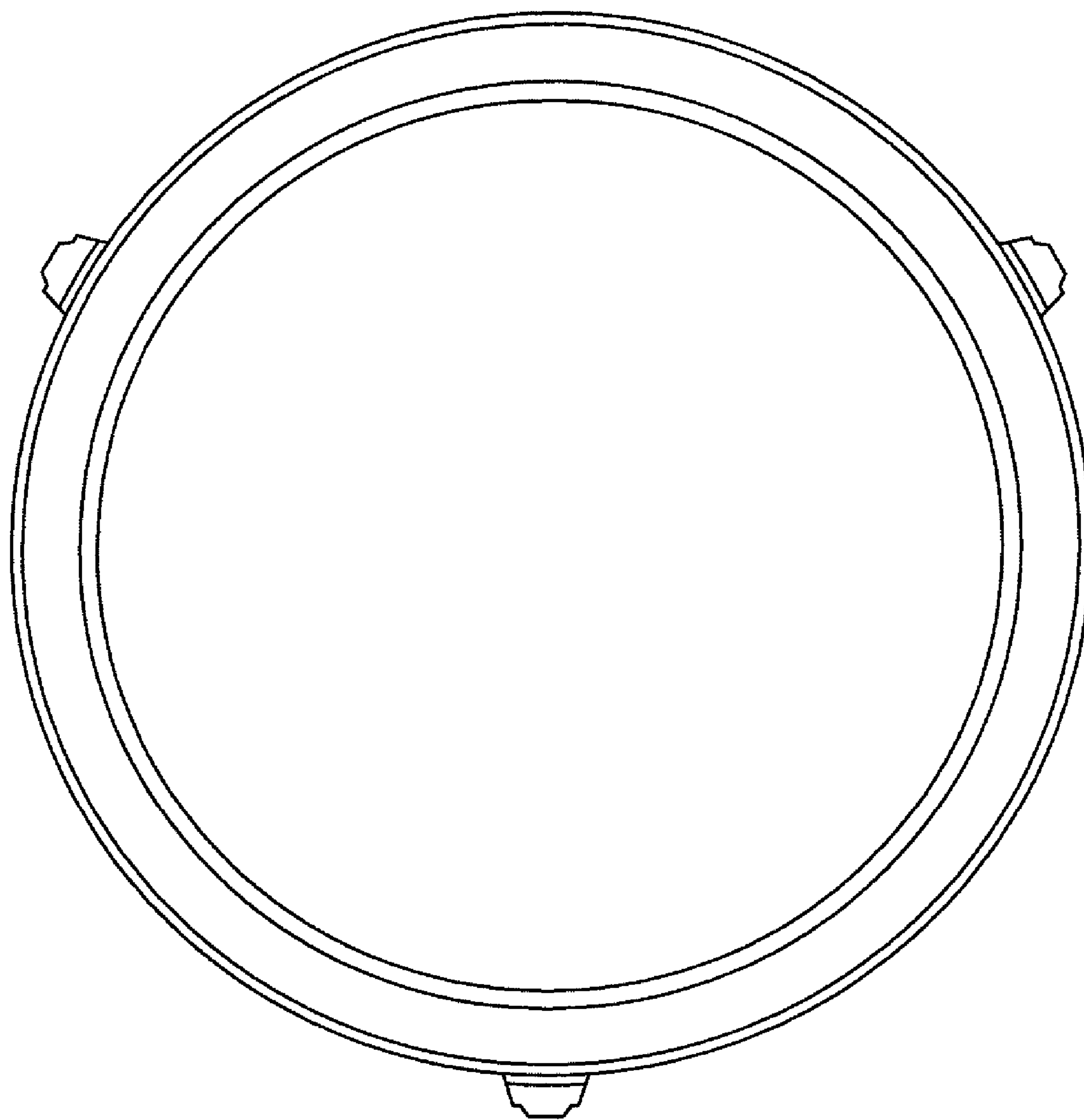


FIG. 4