



US00D553776S

(12) **United States Design Patent**
Liu

(10) **Patent No.:** **US D553,776 S**

(45) **Date of Patent:** **** Oct. 23, 2007**

(54) **FLASHLIGHT**

7,059,742 B2 * 6/2006 Chen 362/183
D542,448 S * 5/2007 Wang D26/49

(76) Inventor: **Yun-Zhao Liu**, No. 3, 2nd Street,
Hsinfeng Road, Huangpu Township,
Zhongshan City, Guangdong Province
(CN)

* cited by examiner

Primary Examiner—Ian Simmons
Assistant Examiner—Carissa C Fitts

(**) Term: **14 Years**

(74) *Attorney, Agent, or Firm*—Rosenberg, Klein & Lee

(21) Appl. No.: **29/269,192**

(57) **CLAIM**

(22) Filed: **Nov. 24, 2006**

The ornamental design for a flashlight, as shown and described.

(51) **LOC (8) Cl.** **26-02**

(52) **U.S. Cl.** **D26/49**

(58) **Field of Classification Search** D26/37,
D26/46, 49, 48, 50; 362/157, 158, 183, 184,
362/195, 196, 202, 203, 204, 205, 206, 208
See application file for complete search history.

DESCRIPTION

FIG. 1 is a perspective view of a flashlight showing my new design;

FIG. 2 is a front elevational view thereof;

FIG. 3 is a rear elevational view thereof;

FIG. 4 is a left side elevational view thereof;

FIG. 5 is a right side elevational view thereof;

FIG. 6 is a top plan view thereof; and,

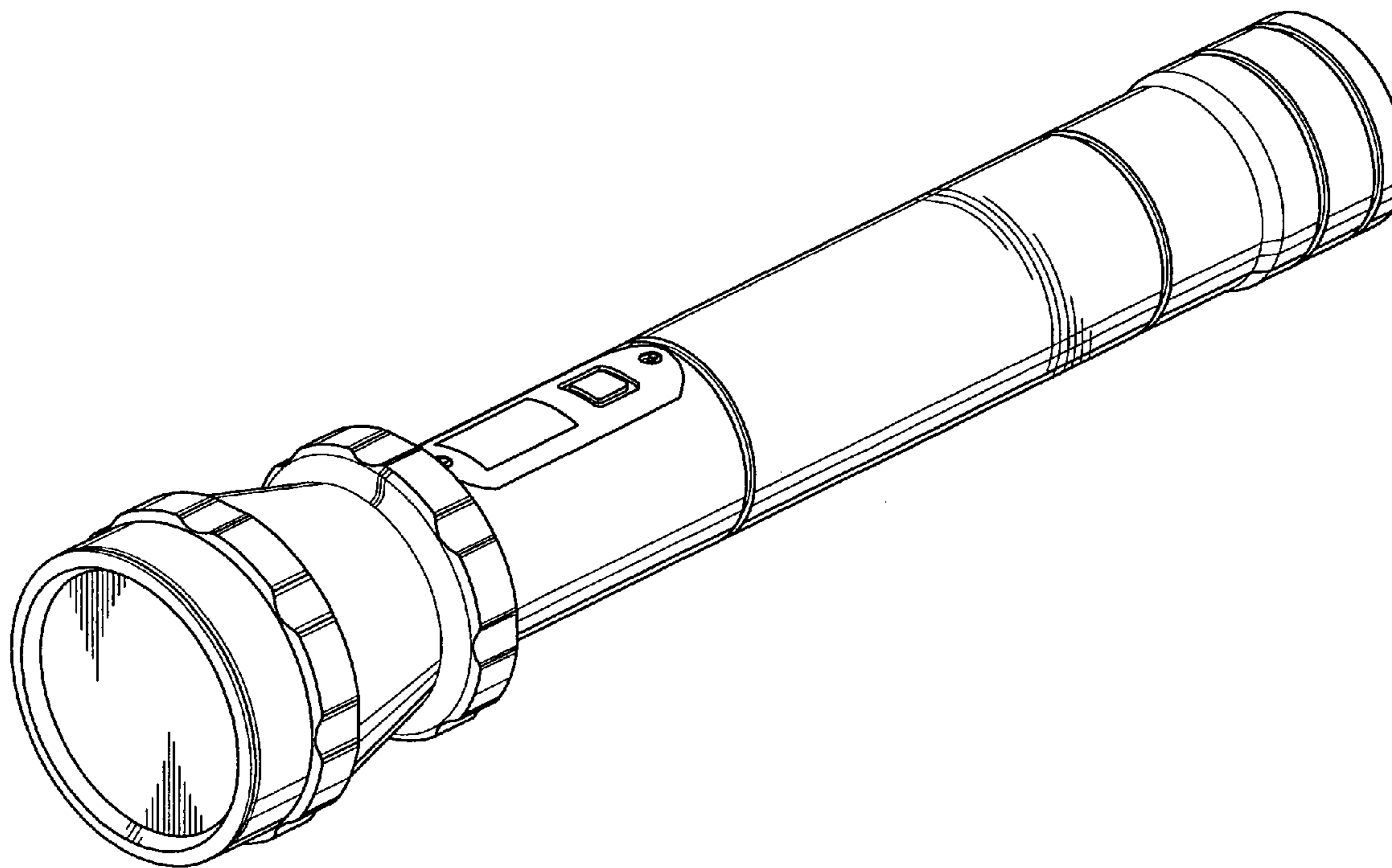
FIG. 7 is a bottom plan view thereof.

(56) **References Cited**

U.S. PATENT DOCUMENTS

D308,580 S * 6/1990 Tremaglio et al. D26/49
D322,139 S * 12/1991 Wang D26/49
D451,224 S * 11/2001 Yang D26/49
D507,365 S * 7/2005 Chen D26/37
D521,670 S * 5/2006 Kung D26/49

1 Claim, 4 Drawing Sheets



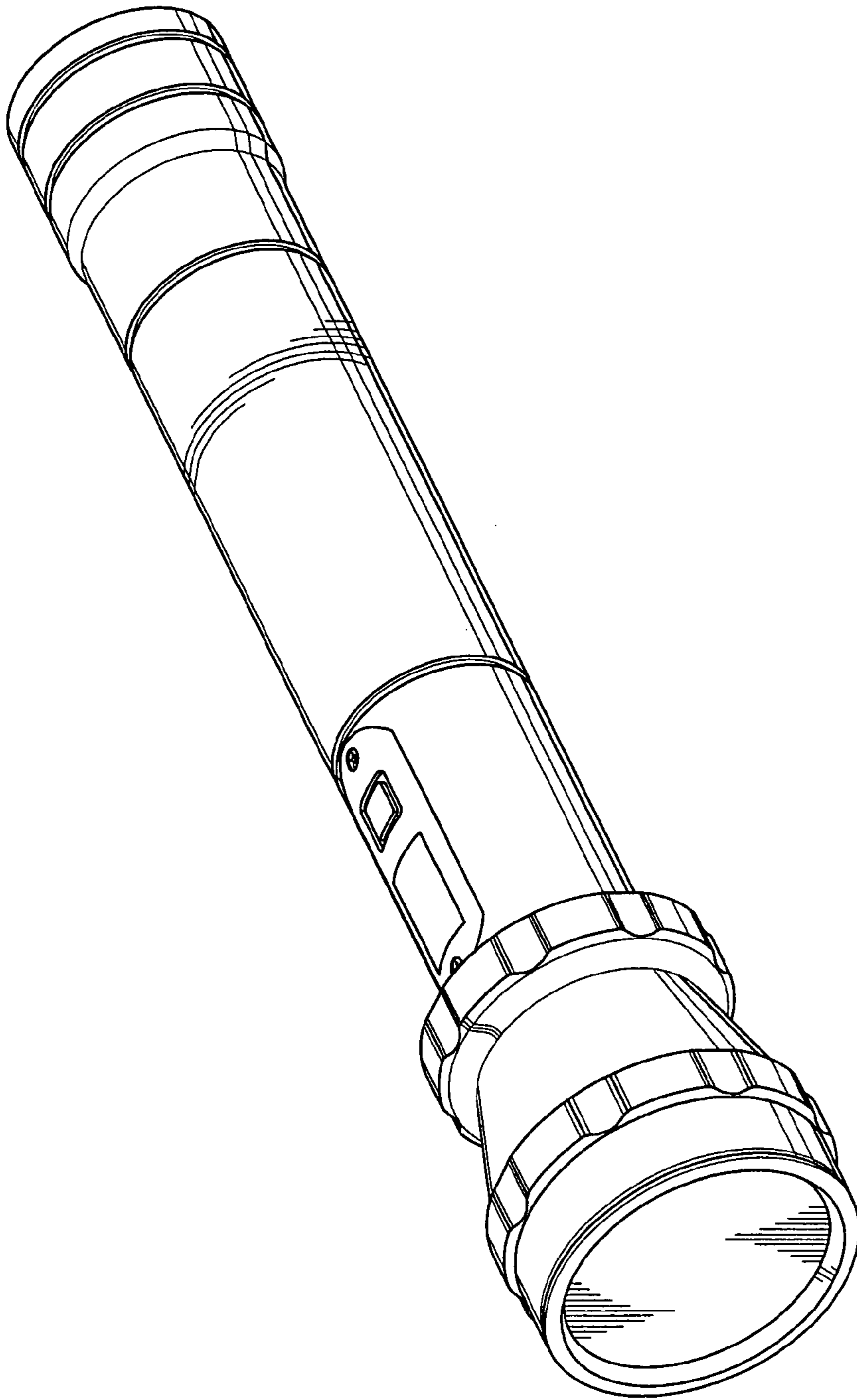


FIG . 1

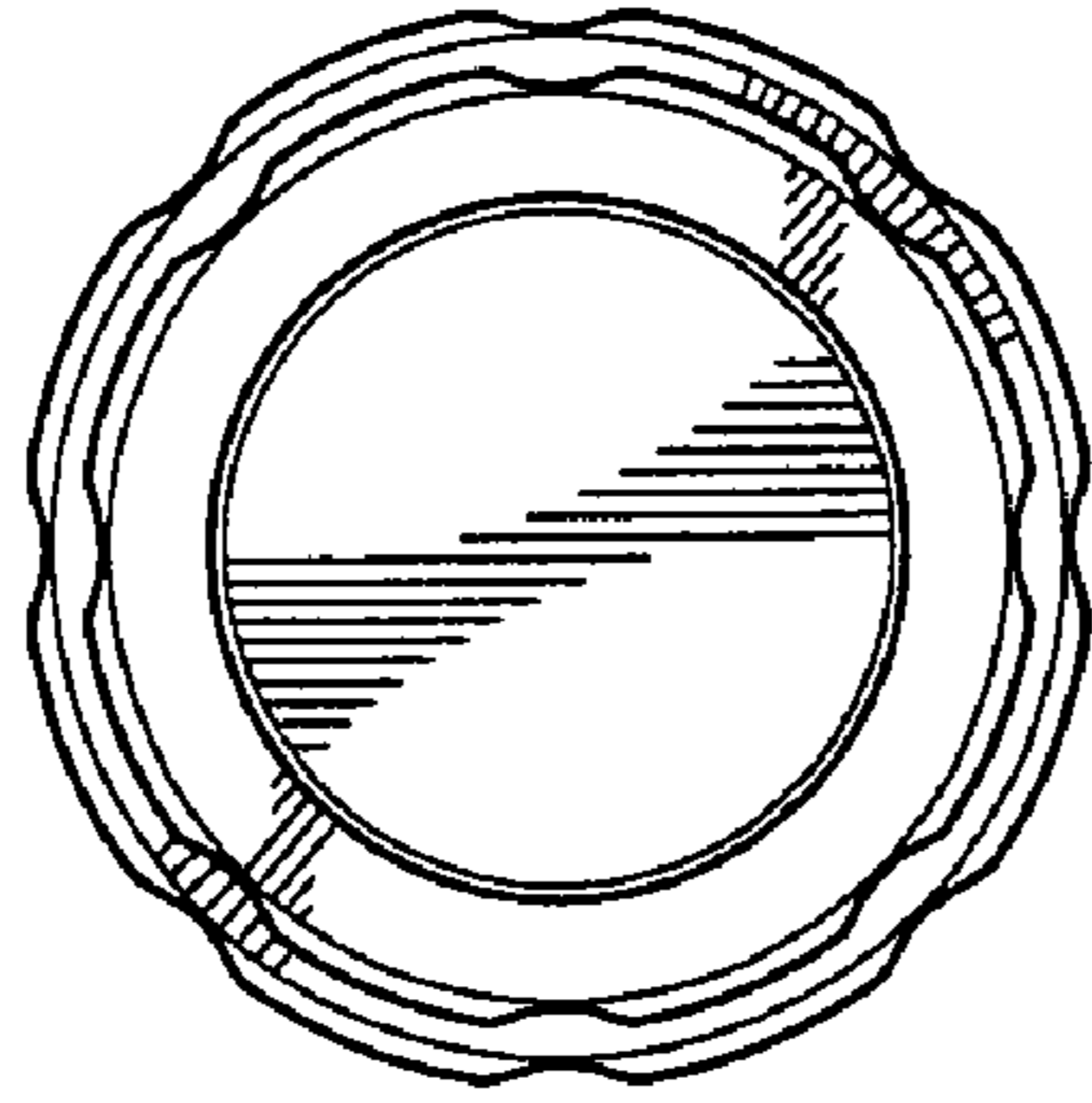


FIG . 2

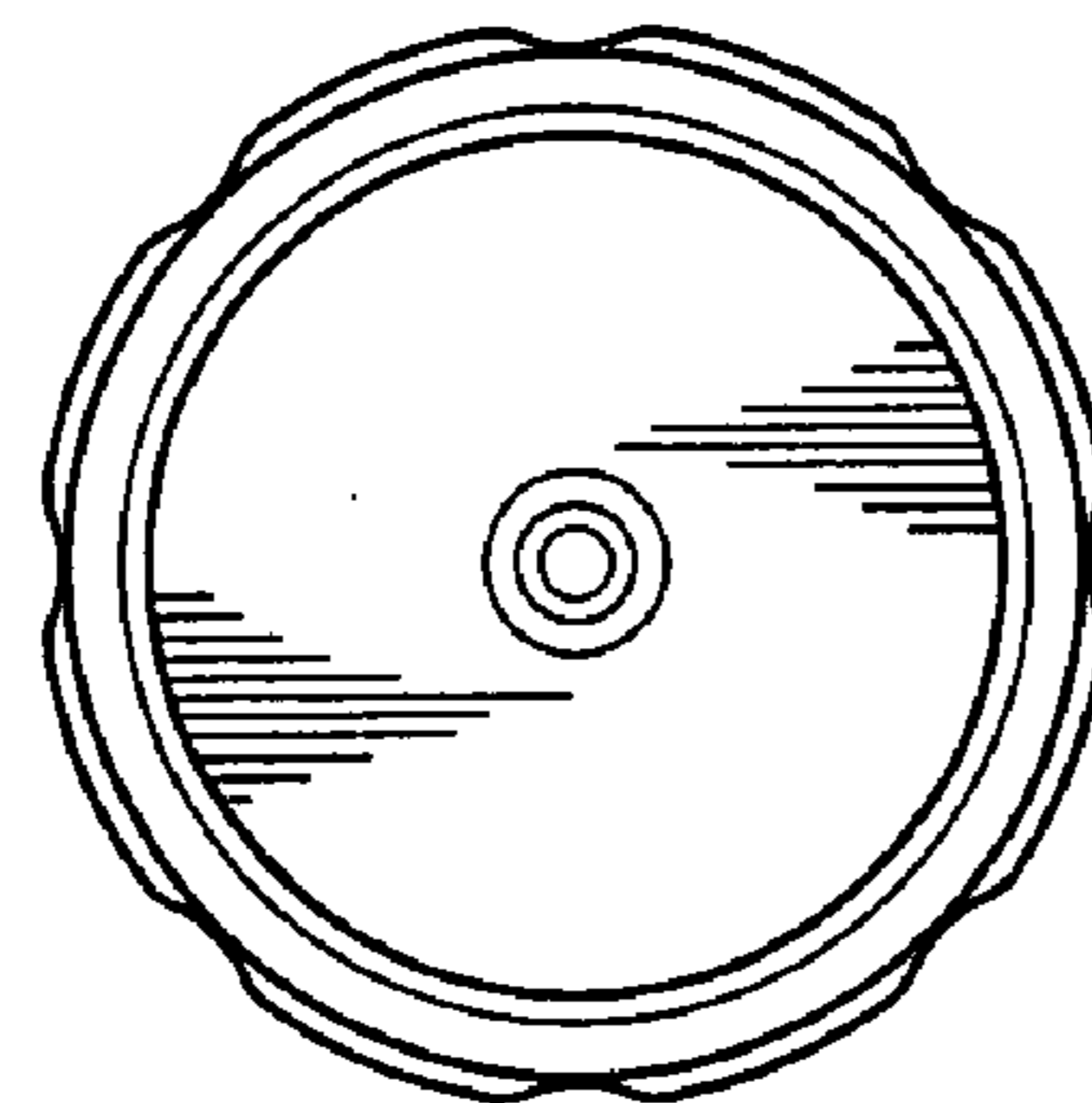


FIG . 3

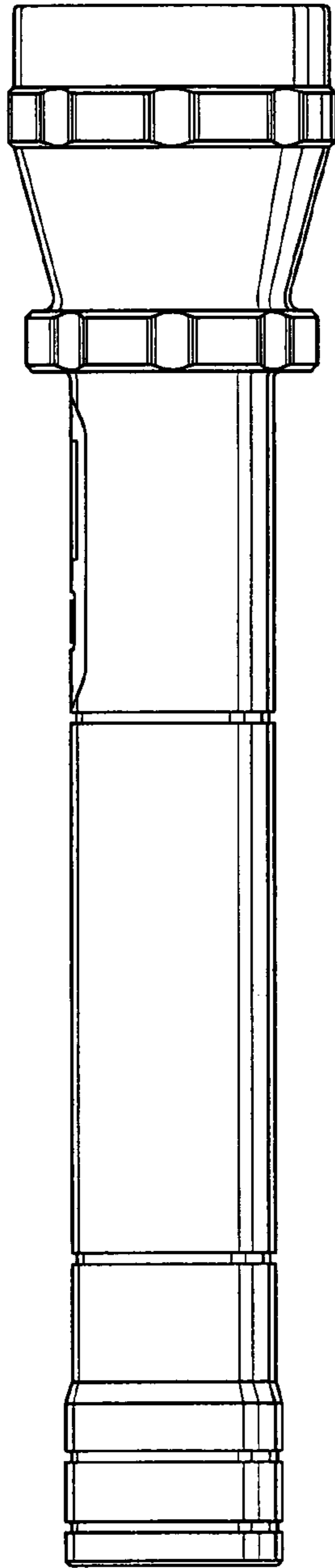


FIG . 4

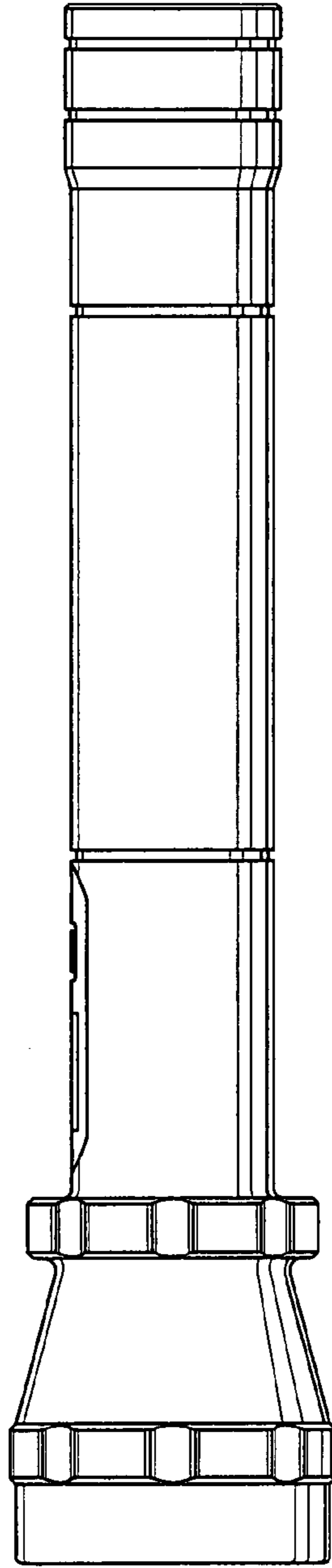


FIG . 5

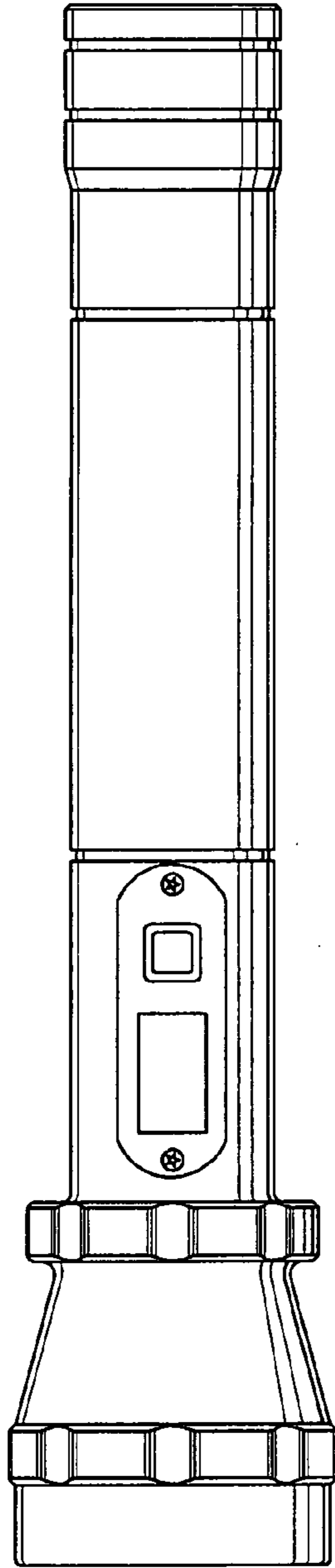


FIG . 6

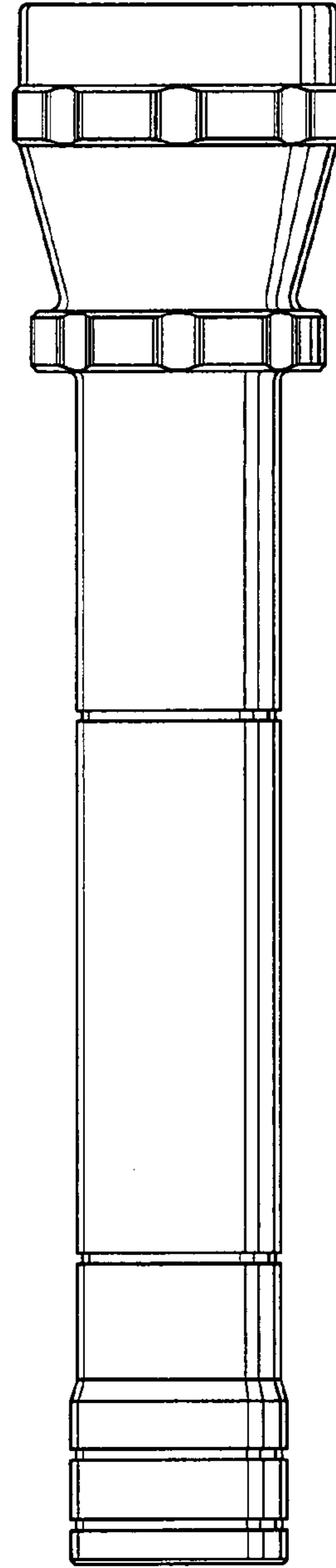


FIG . 7