



US00D553775S

(12) **United States Design Patent** (10) **Patent No.:** **US D553,775 S**  
**Lobert et al.** (45) **Date of Patent:** **\*\* Oct. 23, 2007**

(54) **LIGHT**

(75) Inventors: **Jonathan Paul Lobert**, Hartford, WI (US); **Scott David Schneider**, Waukesha, WI (US)

(73) Assignee: **Milwaukee Electric Tool Corporation**, Brookfield, WI (US)

(\*\*) Term: **14 Years**

(21) Appl. No.: **29/257,650**

(22) Filed: **Apr. 6, 2006**

**Related U.S. Application Data**

(63) Continuation of application No. 29/212,628, filed on Sep. 3, 2004, now Pat. No. Des. 524,957.

(51) **LOC (8) Cl.** ..... **26-02**

(52) **U.S. Cl.** ..... **D26/42**

(58) **Field of Classification Search** ..... D26/37-50; 362/157, 158, 171-174, 183-208

See application file for complete search history.

(56) **References Cited**

**U.S. PATENT DOCUMENTS**

2,517,882 A	8/1950	Johnson
2,525,588 A	10/1950	Cameron et al.
2,822,615 A	2/1958	Durst et al.
4,160,857 A	7/1979	Nardella et al.
D266,704 S	10/1982	Frezzeolini et al.
4,447,863 A	5/1984	Fenne
4,654,764 A	3/1987	Hsiao
4,833,782 A	5/1989	Smith
D315,282 S	3/1991	Schmidt et al.
5,043,854 A	8/1991	Gammache
5,097,399 A	3/1992	Gammache
5,161,095 A	11/1992	Gammache
5,169,225 A	12/1992	Palm
D332,320 S	1/1993	Gammache
5,190,369 A	3/1993	Pace
5,213,412 A	5/1993	Ciallella
5,250,891 A	10/1993	Glasgow

5,255,168 A	10/1993	Stevens
5,278,739 A	1/1994	Gammache
5,294,874 A	3/1994	Hessenberger et al.
5,455,751 A	10/1995	Lynch et al.
D370,542 S	6/1996	Santarsiero

(Continued)

**FOREIGN PATENT DOCUMENTS**

DE 8521614 1/1986

**OTHER PUBLICATIONS**

Makita 1992 Catalog, p. 14, showing Model ML700 incandescent flashlight.

(Continued)

*Primary Examiner*—Marcus A. Jackson

(74) *Attorney, Agent, or Firm*—Michael Best & Friedrich LLP

(57) **CLAIM**

We claim the ornamental design for a light, as shown and described.

**DESCRIPTION**

FIG. 1 is a front perspective view of a light.

FIG. 2 is a front view of the light shown in FIG. 1.

FIG. 3 is a rear perspective view of the light shown in FIG. 1.

FIG. 4 is a rear view of the light shown in FIG. 1.

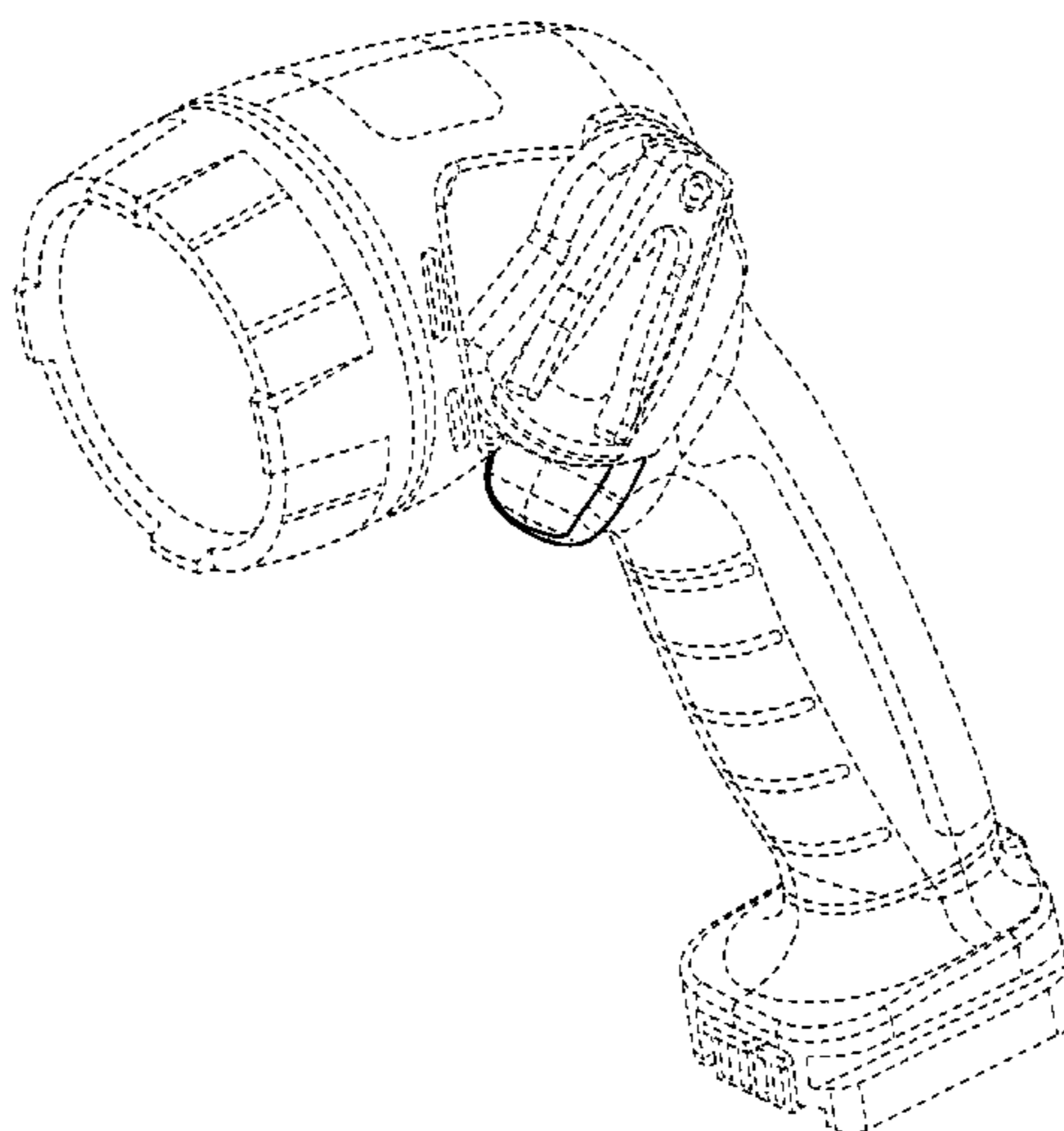
FIG. 5 is a top view of the light shown in FIG. 1.

FIG. 6 is a bottom view of the light shown in FIG. 1; and,

FIG. 7 is a side view of the light shown in FIG. 1.

The present application is directed to the shape and contour of the design illustrated in the drawings. The broken line showing of the environment is for illustrative purposes only and forms no part of the claimed design. The broken lines which define the boundaries of the claimed design form no part thereof.

**1 Claim, 6 Drawing Sheets**



# US D553,775 S

Page 2

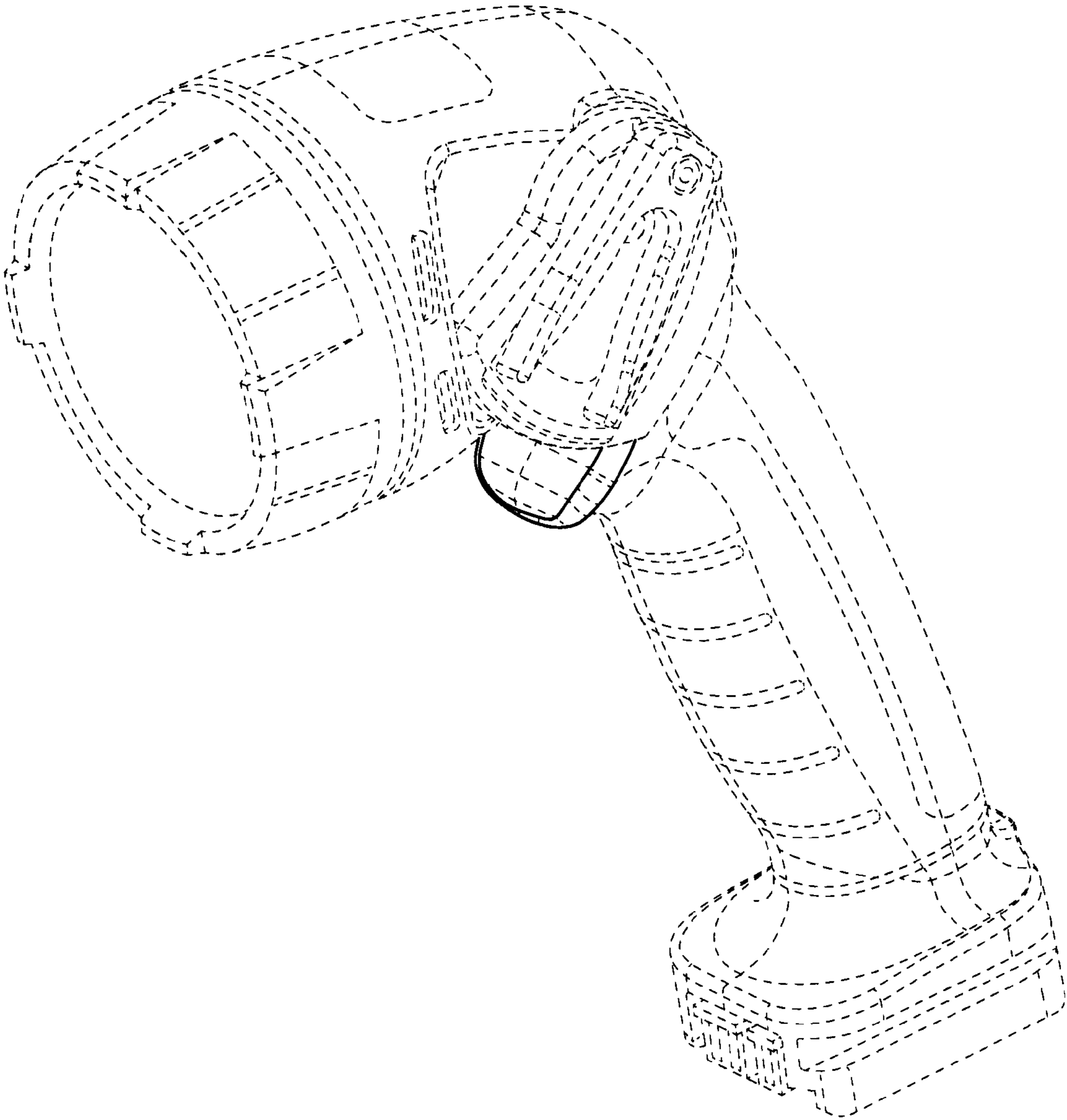
## U.S. PATENT DOCUMENTS

D372,319 S	7/1996	Carbone	D438,316 S	2/2001	Etter
5,541,822 A	7/1996	Bamber	6,222,343 B1	4/2001	Crisp et al.
D373,210 S	8/1996	Santarsiero	6,227,677 B1	5/2001	Willis
D373,211 S	8/1996	Heun	6,236,177 B1	5/2001	Zick et al.
D373,649 S	9/1996	Carbone	D444,582 S	7/2001	Poon
D375,570 S	11/1996	Hayakawa et al.	D450,147 S	11/2001	Leen
D375,811 S	11/1996	Hon	D451,222 S	11/2001	Poon
5,605,394 A	2/1997	Chen	D454,040 S	3/2002	Wadsworth
5,637,035 A	6/1997	Yee	6,364,580 B1	4/2002	Dils et al.
D387,455 S	12/1997	Zurwelle	6,456,035 B1	9/2002	Crisp et al.
D388,201 S	12/1997	Zurwelle	6,457,841 B1	10/2002	Lynch et al.
D390,987 S	2/1998	Zurwelle	D467,375 S	12/2002	Lynch et al.
D392,759 S	3/1998	Howard et al.	6,502,949 B1	1/2003	Horiyama et al.
D398,410 S	9/1998	Fell et al.	6,605,926 B2	8/2003	Crisp et al.
5,853,241 A	12/1998	Sharrah et al.	D483,888 S	12/2003	Pokorny et al.
D404,839 S	1/1999	Petterson et al.	D485,382 S	1/2004	Palm
D405,204 S	2/1999	McAdams et al.	D489,144 S	4/2004	Dalton, Jr.
D405,552 S	2/1999	Howard et al.	D498,549 S	11/2004	Campagna
D406,372 S	3/1999	Matthes et al.	6,847,146 B2	1/2005	Hessenberger et al.
D406,374 S	3/1999	Porter	D509,919 S	9/2005	Durgan et al.
D410,293 S	5/1999	Prince	D523,161 S *	6/2006	Hussaini et al. .... D26/42
D413,994 S	9/1999	Clowers et al.	2002/0054491 A1	5/2002	Casas
5,988,828 A	11/1999	Prince et al.			
D422,730 S	4/2000	Byler et al.			
D427,346 S	6/2000	Schoen			
D427,697 S *	7/2000	Brazell et al. .... D26/42			
D428,175 S	7/2000	Lynch et al.			
D436,204 S	1/2001	Leen			
6,169,373 B1	1/2001	Riesinger			

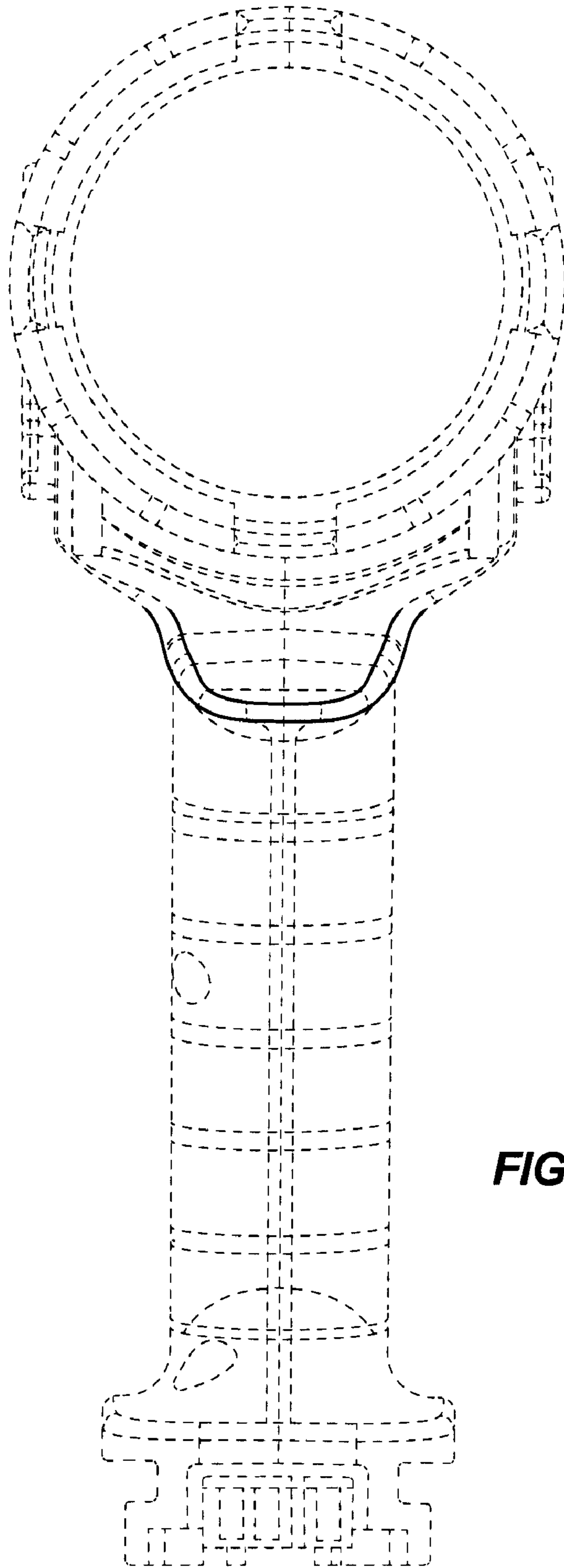
## OTHER PUBLICATIONS

SKIL Power Tool & Accessory Catalog, p. 61, available prior to Sep. 3, 2004, showing a Model HD2940:71 worklight.  
DeWalt Product Specifications Document, available prior to Sep. 3, 2004, showing a Model DW902 cordless flashlight.

\* cited by examiner



**FIG. 1**



**FIG. 2**

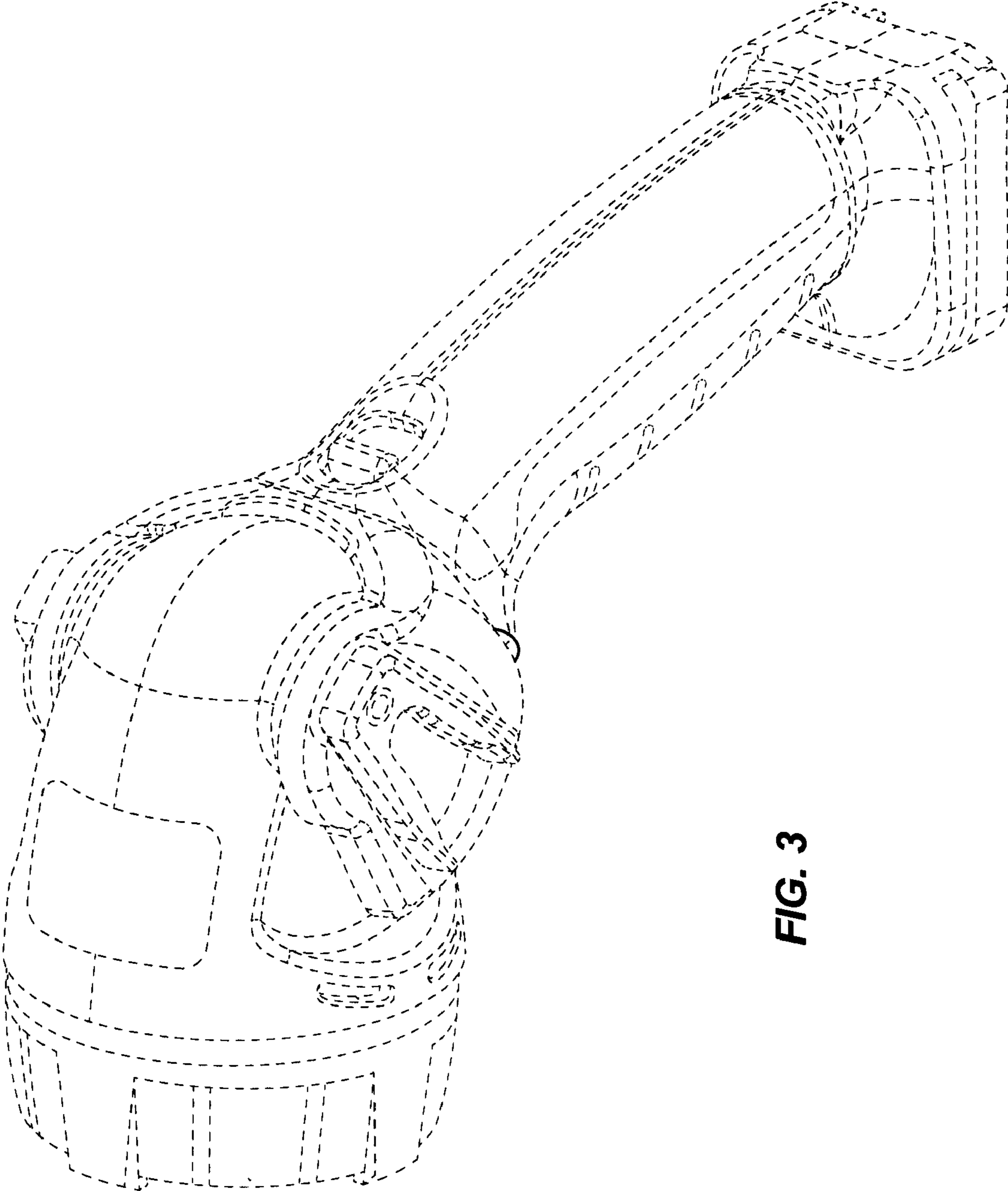
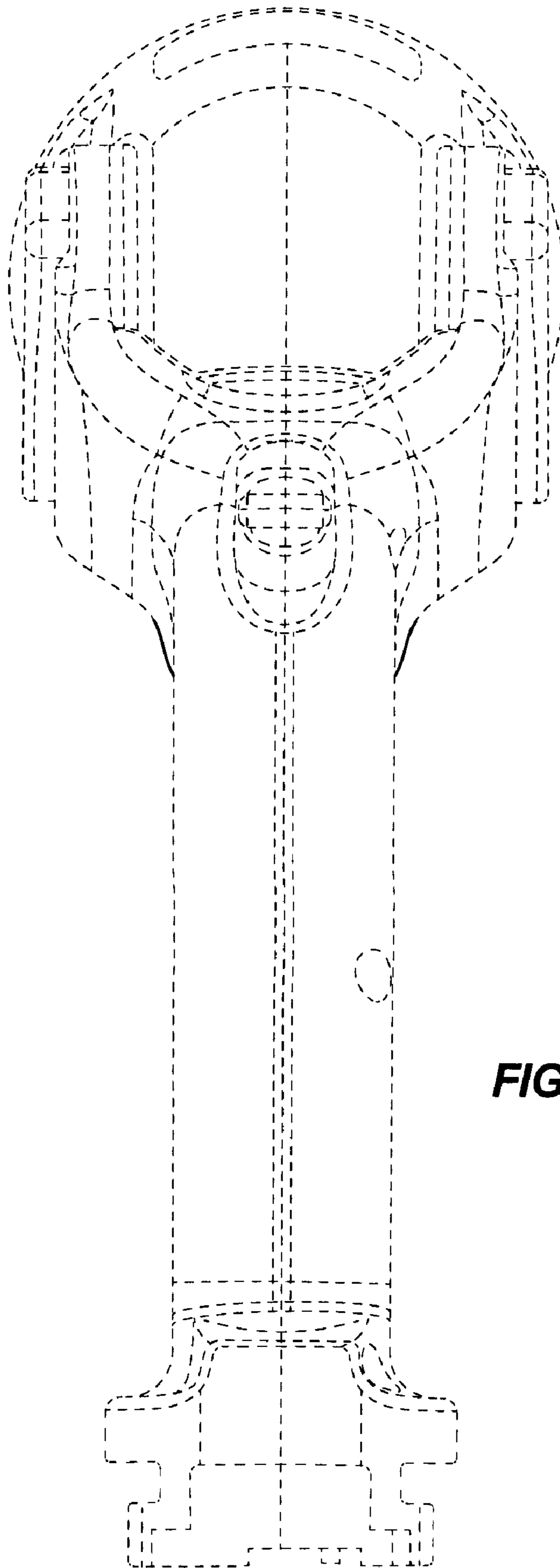
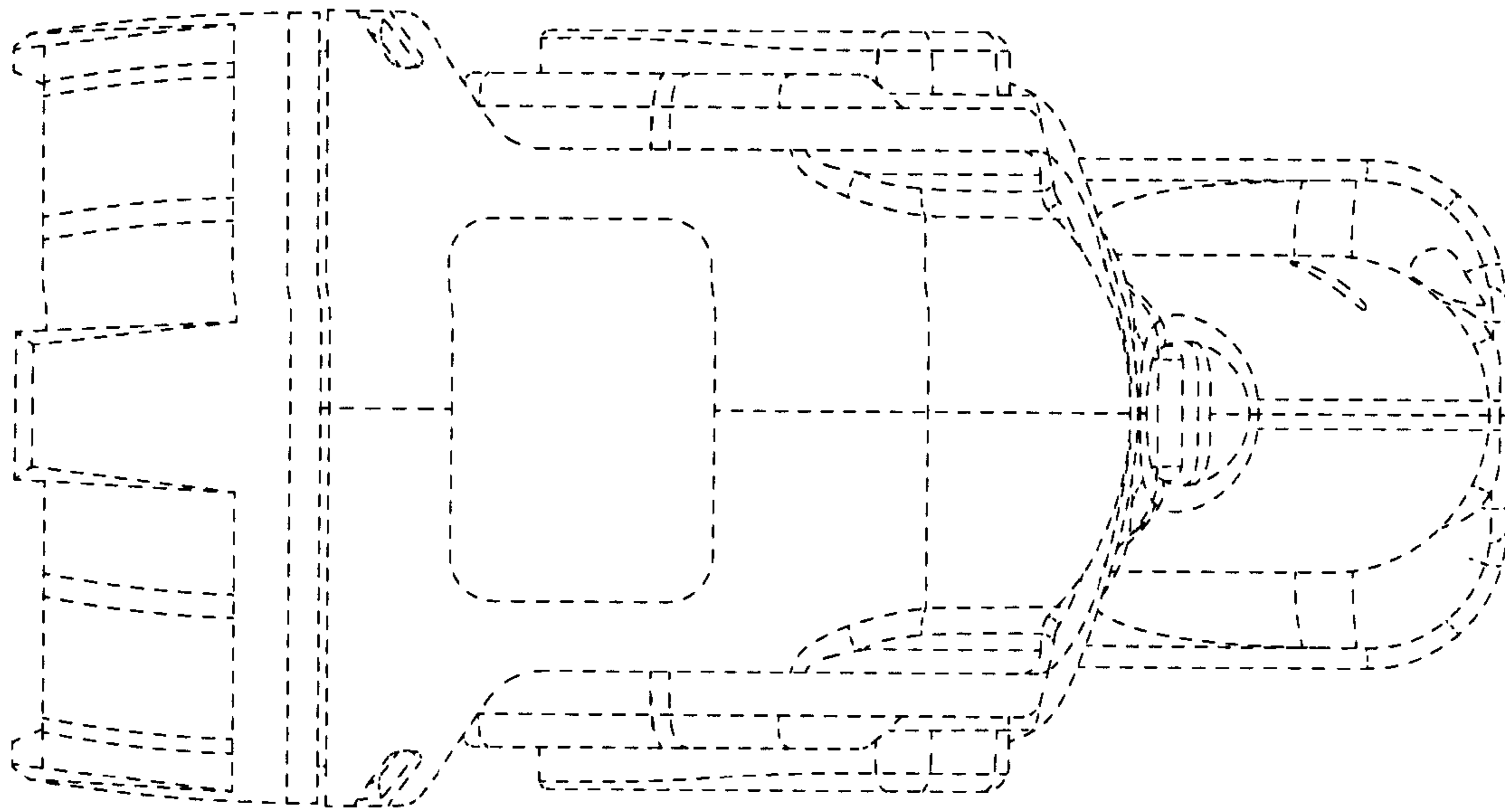


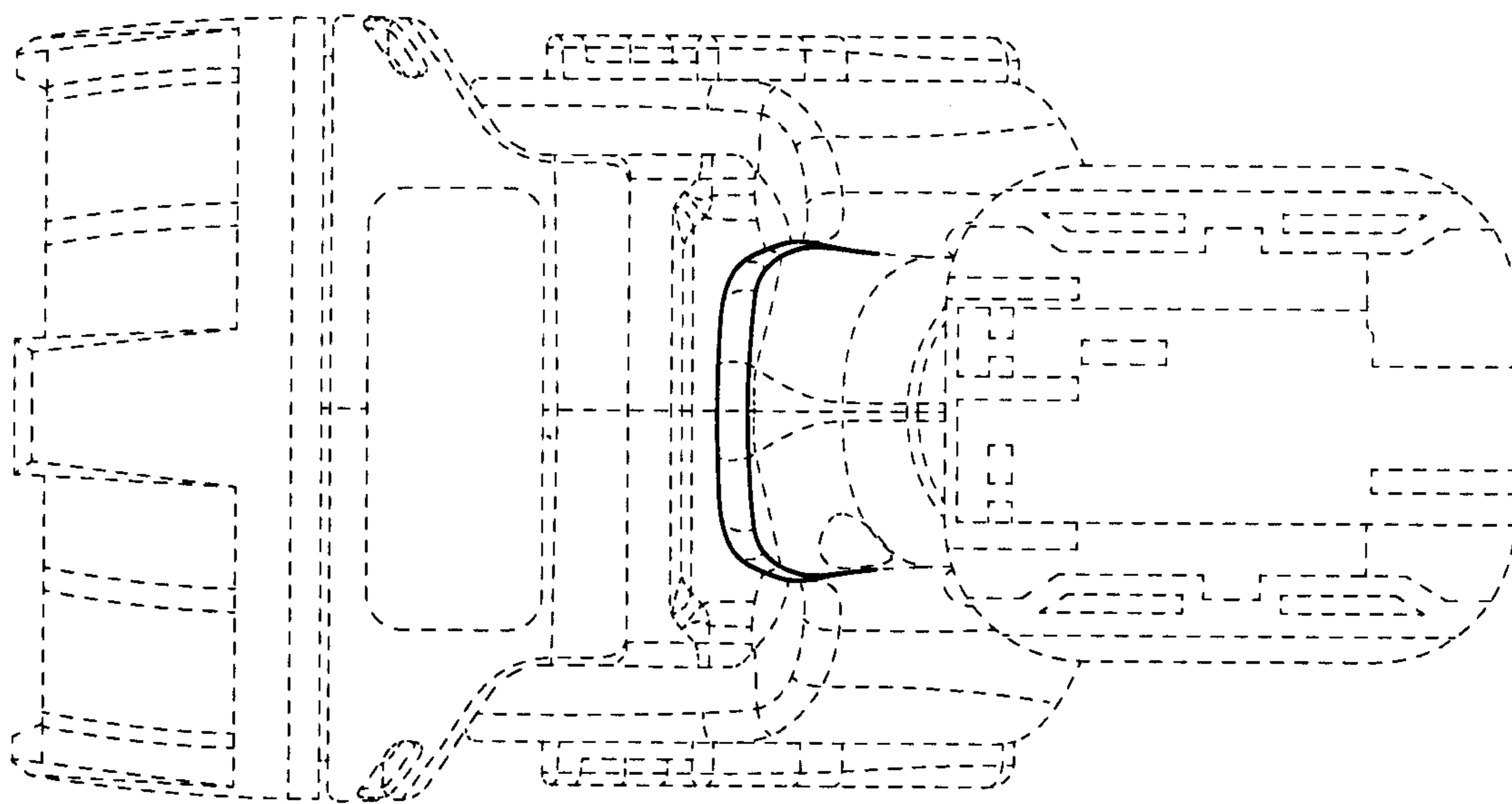
FIG. 3



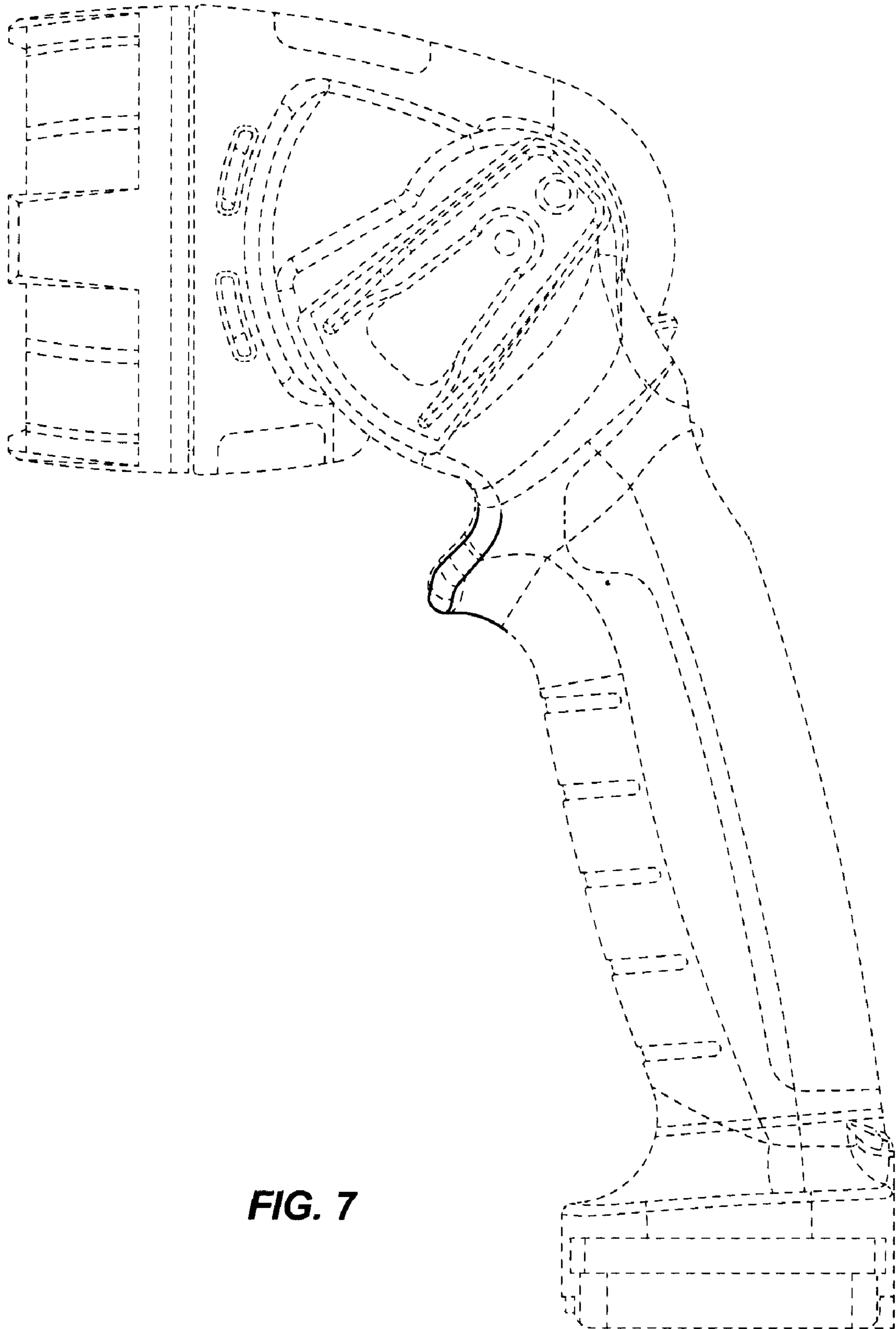
**FIG. 4**



**FIG. 5**



**FIG. 6**



**FIG. 7**