



US00D553773S

(12) **United States Design Patent**
Campbell et al.

(10) **Patent No.:** **US D553,773 S**

(45) **Date of Patent:** **** Oct. 23, 2007**

(54) **FLASHLIGHT HOLDER**

(75) Inventors: **Glennbruce S. Campbell**, Memphis, TN (US); **Robert Schultz**, Memphis, TN (US); **Nicole Ashley Moody**, Memphis, TN (US)

(73) Assignee: **Hunter Fan Company**, Memphis, TN (US)

(**) Term: **14 Years**

(21) Appl. No.: **29/277,744**

(22) Filed: **Mar. 8, 2007**

(51) **LOC (8) Cl.** **26-02**

(52) **U.S. Cl.** **D26/37**

(58) **Field of Classification Search** D26/37-50;
362/157, 158, 171-174, 183-208
See application file for complete search history.

(56) **References Cited**

U.S. PATENT DOCUMENTS

- D303,107 S 8/1989 Maglica et al.
- D351,675 S 10/1994 Sharrah et al.
- D385,984 S 11/1997 Wan
- D406,581 S * 3/1999 Bhatia et al. D14/431
- D446,768 S 8/2001 Parsons

- D535,969 S * 1/2007 Haney D14/148
- D537,805 S * 3/2007 Haney D14/148
- D539,456 S * 3/2007 Sassoon et al. D26/37

* cited by examiner

Primary Examiner—Marcus A. Jackson

(74) *Attorney, Agent, or Firm*—Baker Donelson

(57) **CLAIM**

The ornamental design for a flashlight holder, as shown and described.

DESCRIPTION

FIG. 1 is a perspective view of a flashlight holder showing our new design.

FIG. 2 is a rear view thereof.

FIG. 3 is a front view thereof.

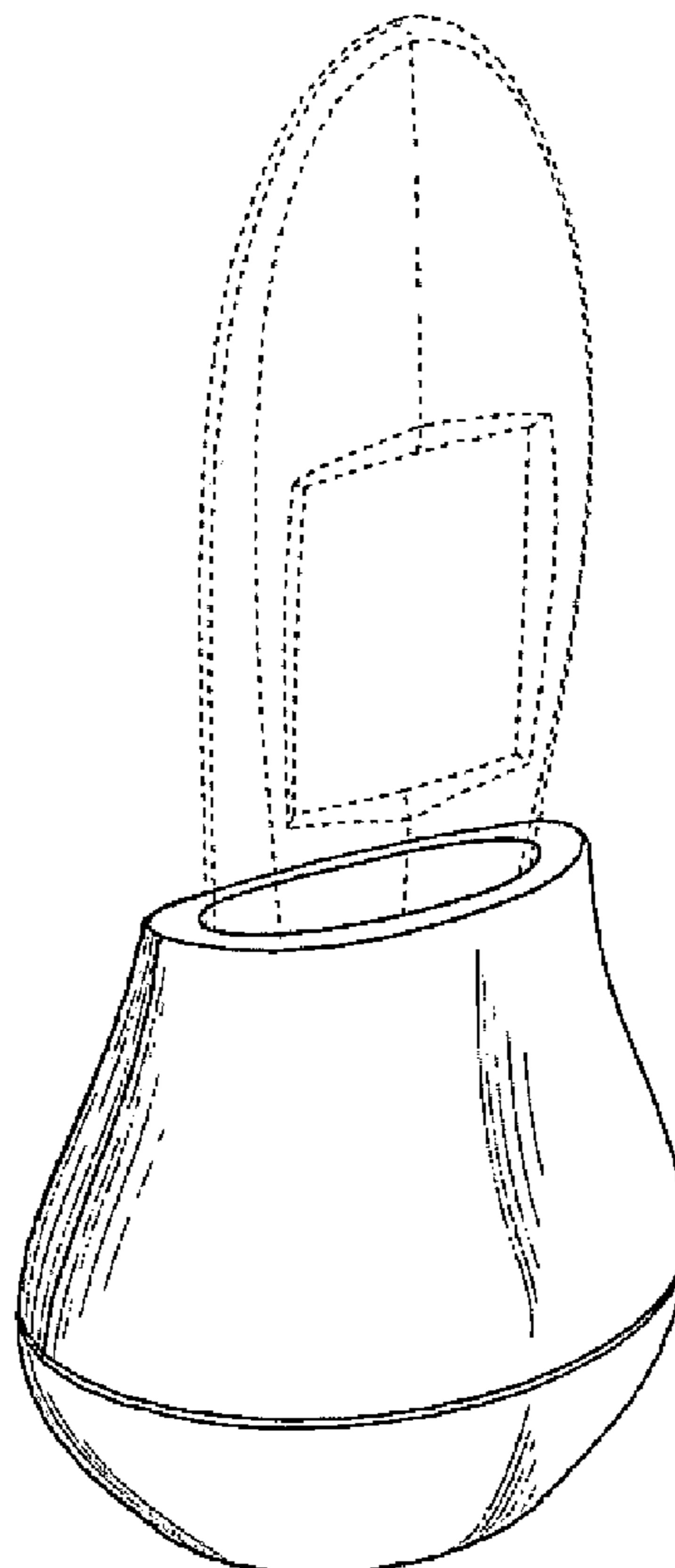
FIG. 4 is a right side view thereof, the left side view being a mirror image thereof.

FIG. 5 is a top view thereof; and,

FIG. 6 is a bottom view thereof.

The broken lines in the views show environmental features which are for illustrative purposes only and form no part of the claimed design.

1 Claim, 3 Drawing Sheets



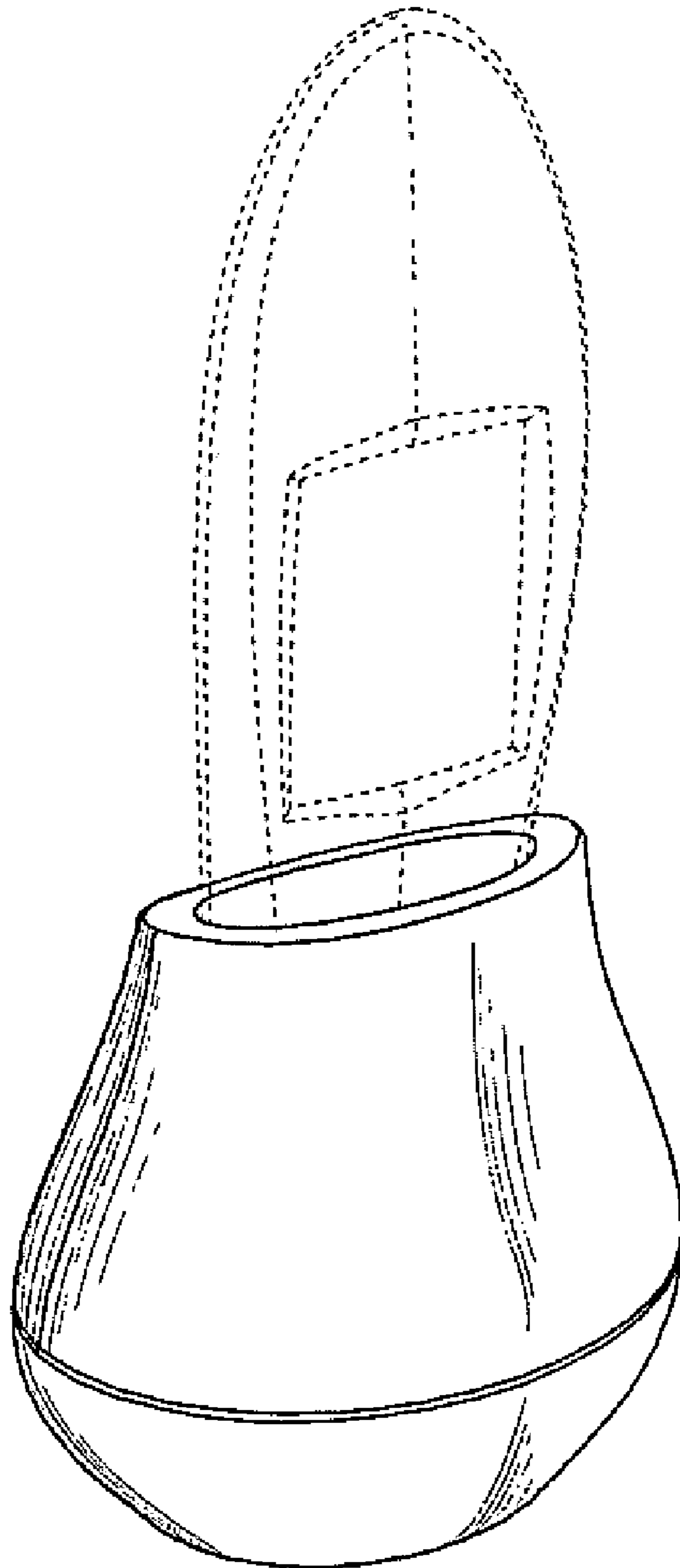


Fig. 1

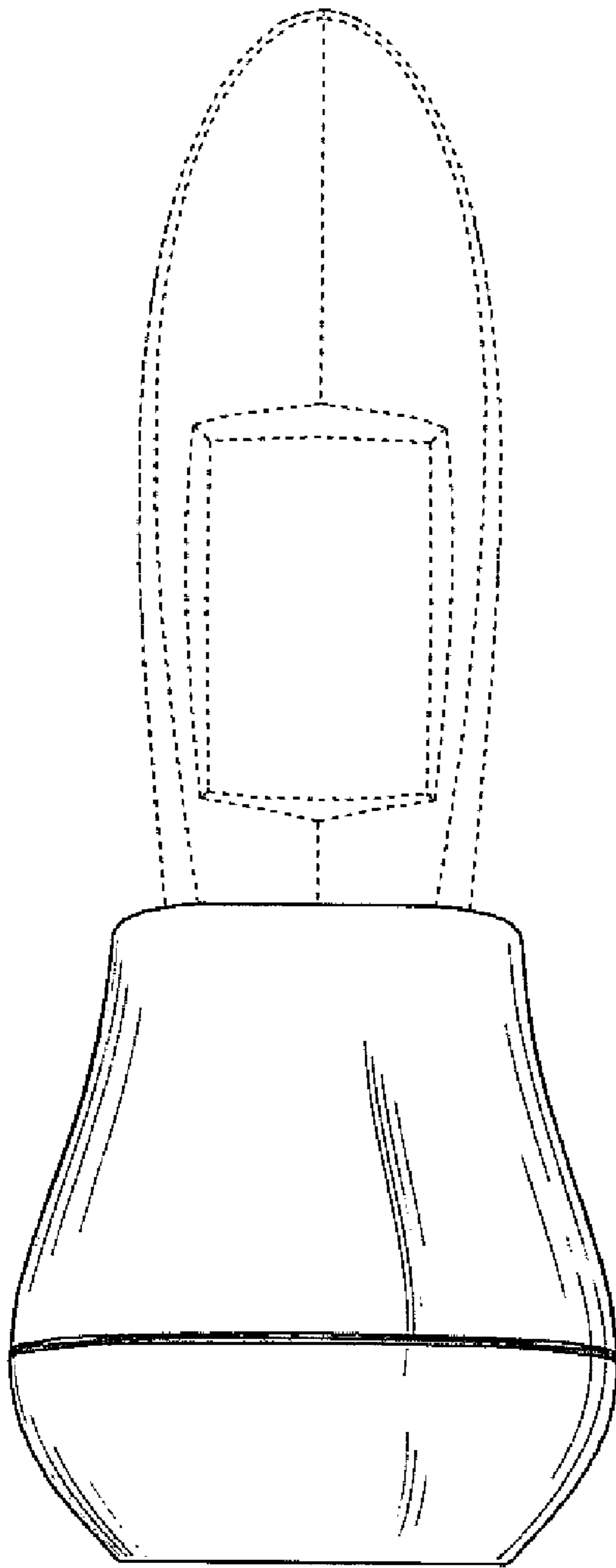


Fig. 2

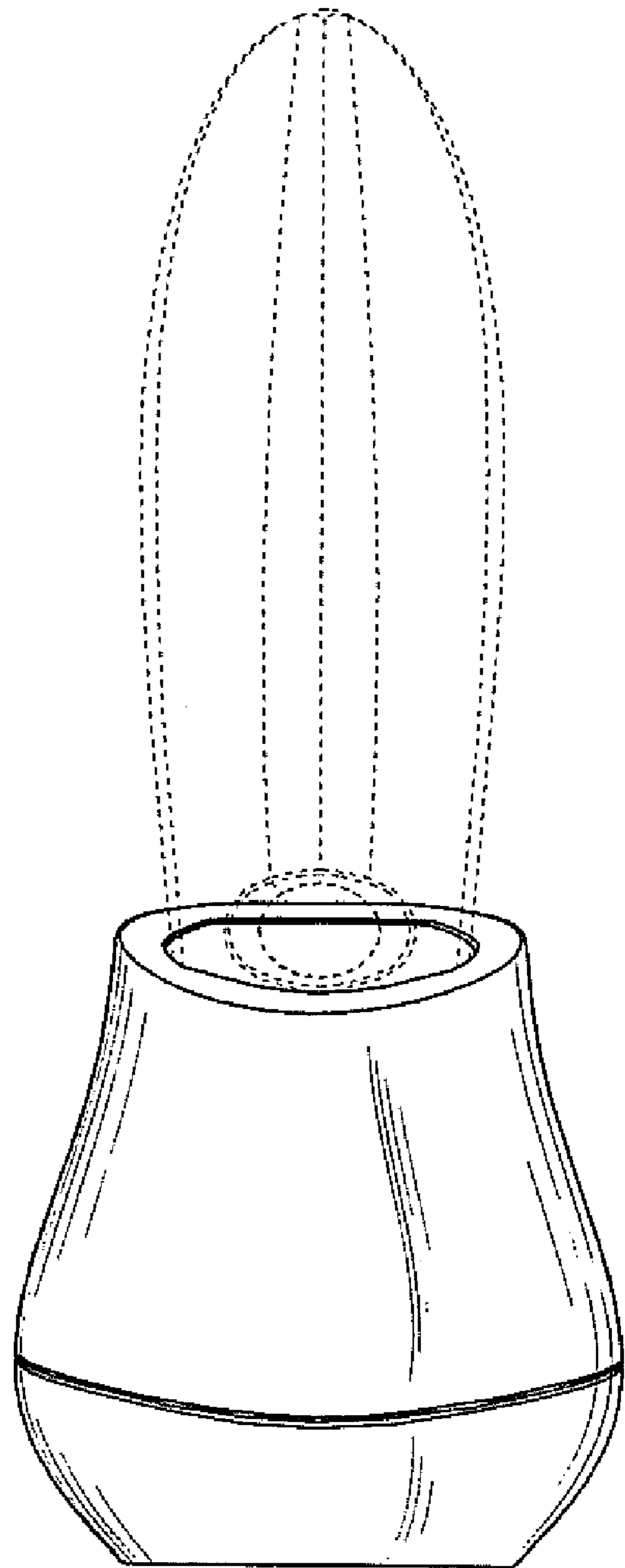


Fig. 3

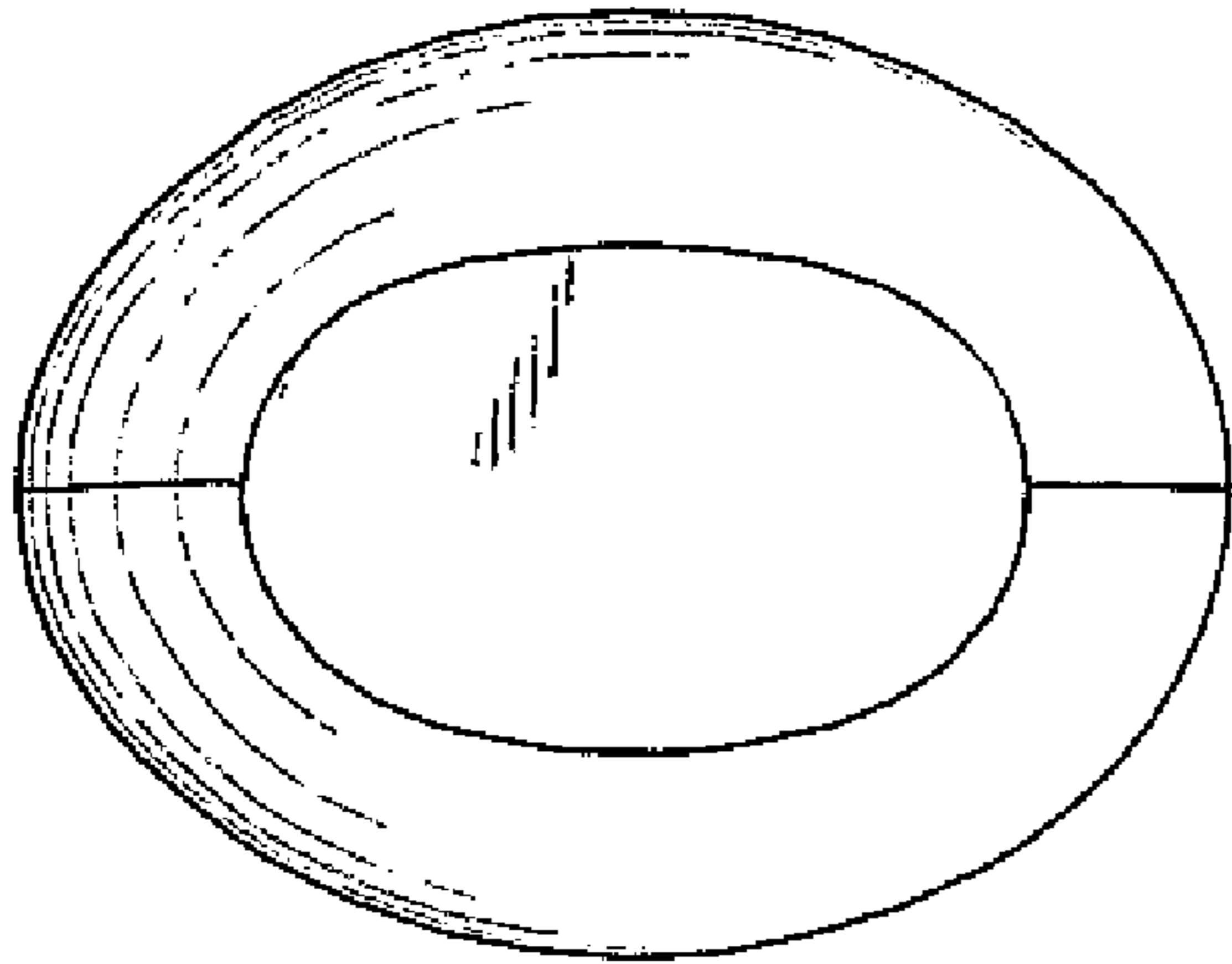


Fig. 5

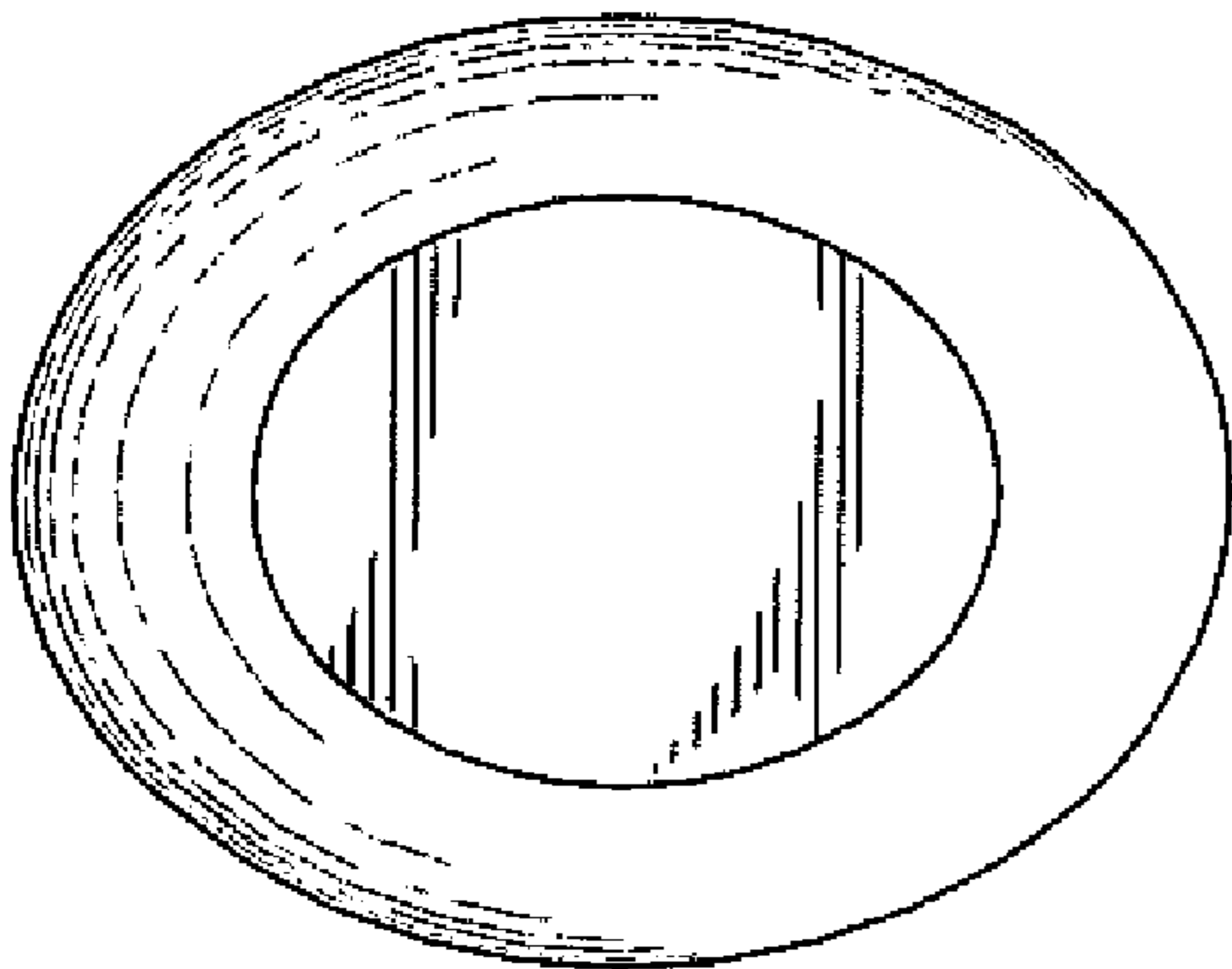


Fig. 6

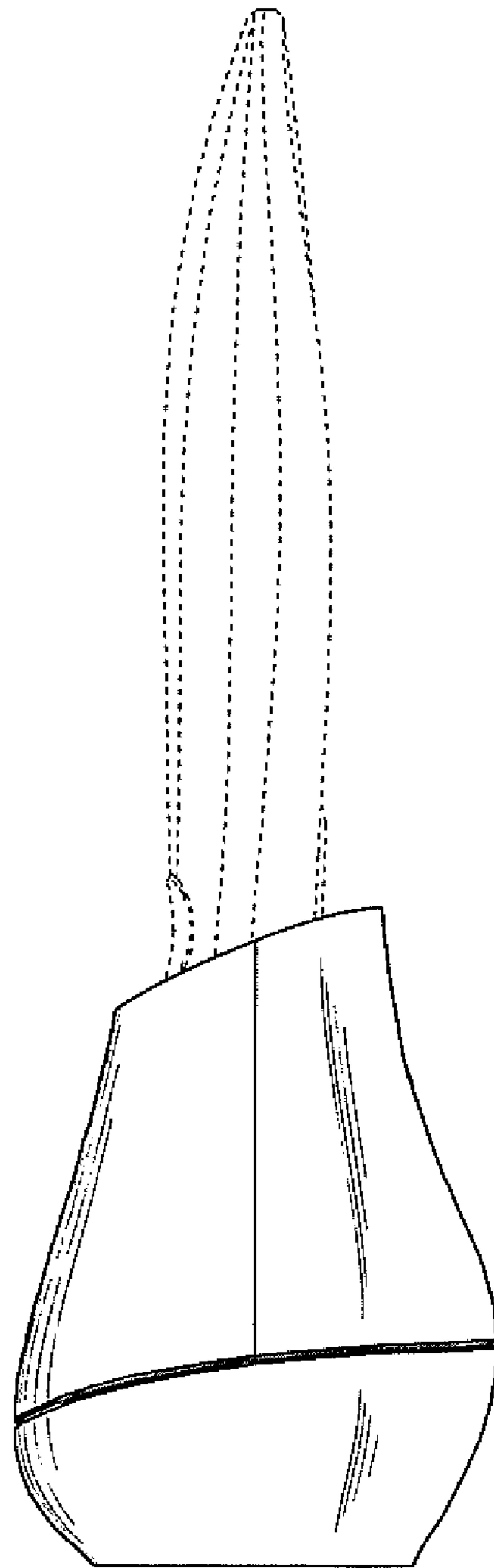


Fig. 4