



US00D553772S

(12) **United States Design Patent**  
**Campbell et al.**

(10) **Patent No.:** **US D553,772 S**

(45) **Date of Patent:** **\*\* Oct. 23, 2007**

(54) **FLASHLIGHT HOLDER**

D535,969 S \* 1/2007 Haney ..... D14/148  
D537,805 S \* 3/2007 Haney ..... D14/148  
D539,456 S \* 3/2007 Sassoon et al. .... D26/37

(75) Inventors: **Glennbruce S. Campbell**, Memphis, TN (US); **Robert Schultz**, Memphis, TN (US); **Nicole Ashley Moody**, Memphis, TN (US)

\* cited by examiner

*Primary Examiner*—Marcus A. Jackson

(74) *Attorney, Agent, or Firm*—Baker Donelson

(73) Assignee: **Hunter Fan Company**, Memphis, TN (US)

(57) **CLAIM**

(\*\*) Term: **14 Years**

The ornamental design for a flashlight holder, as shown and described.

(21) Appl. No.: **29/277,743**

(22) Filed: **Mar. 8, 2007**

**DESCRIPTION**

(51) **LOC (8) Cl.** ..... **26-02**

FIG. 1 is a perspective view of a flashlight holder showing our new design.

(52) **U.S. Cl.** ..... **D26/37**

FIG. 2 is a right side view thereof, the left side view being a mirror image thereof.

(58) **Field of Classification Search** ..... D26/37-50;

FIG. 3 is a rear view thereof.

362/157, 158, 171-174, 183-208

FIG. 4 is a front view thereof.

See application file for complete search history.

FIG. 5 is a bottom view thereof; and,

(56) **References Cited**

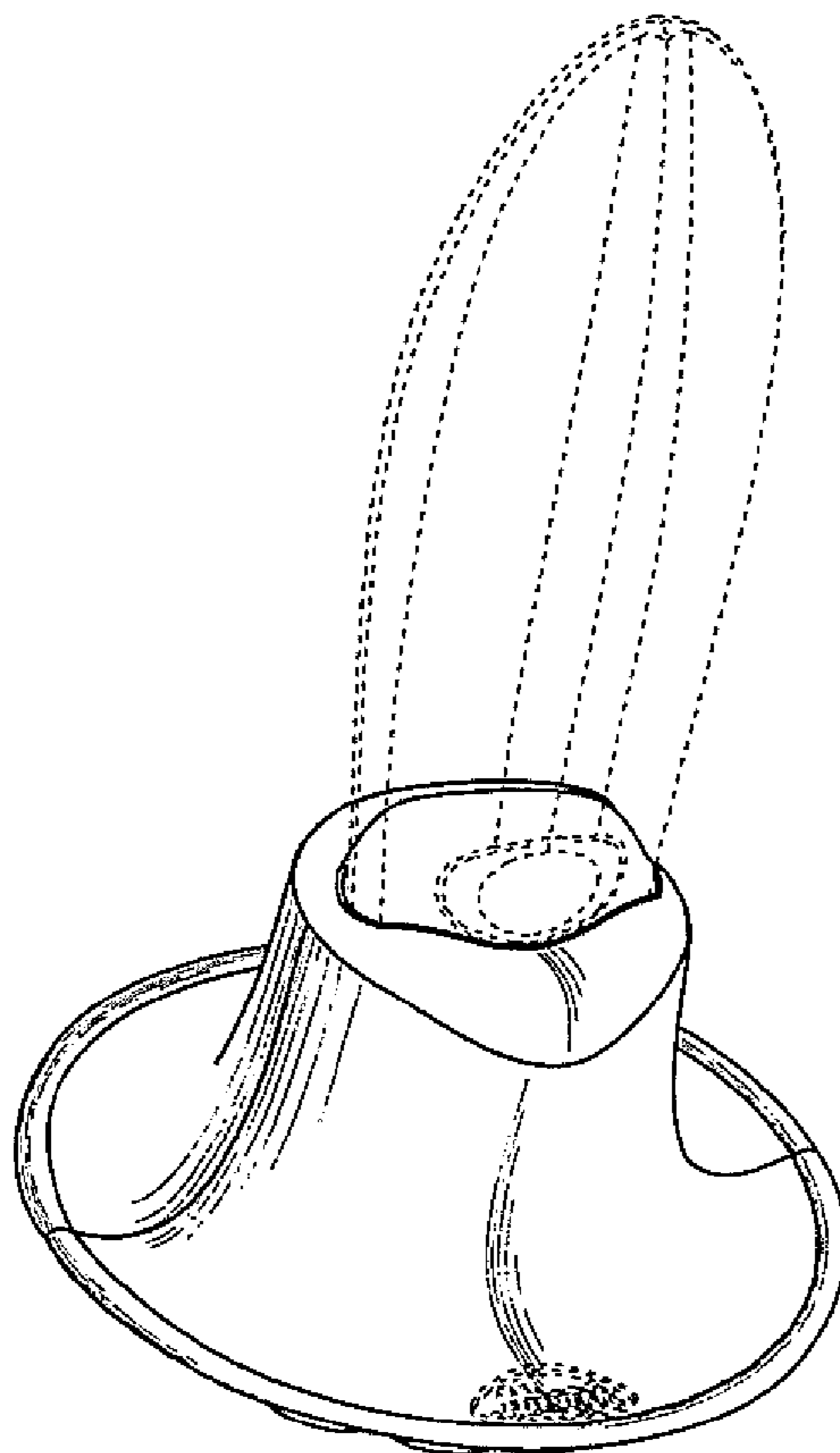
FIG. 6 is a top view thereof.

**U.S. PATENT DOCUMENTS**

The broken lines in the views show environmental features which are for illustrative purposes only and form no part of the claimed design.

D303,107 S	8/1989	Maglica et al.	
D351,675 S	10/1994	Sharrah et al.	
D385,984 S	11/1997	Wan	
D406,581 S *	3/1999	Bhatia et al. ....	D14/431
D446,768 S	8/2001	Parsons	

**1 Claim, 3 Drawing Sheets**



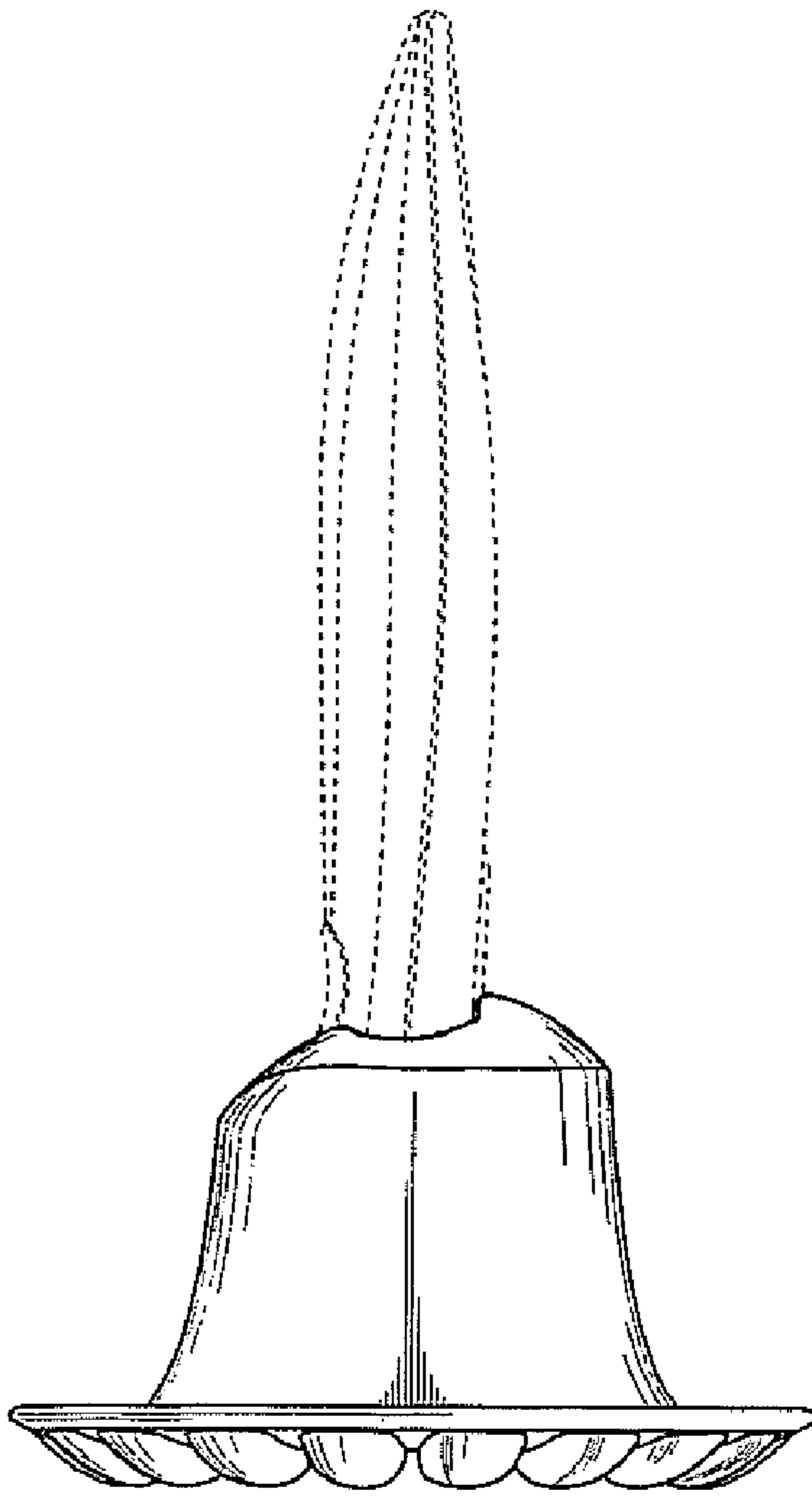


Fig. 2

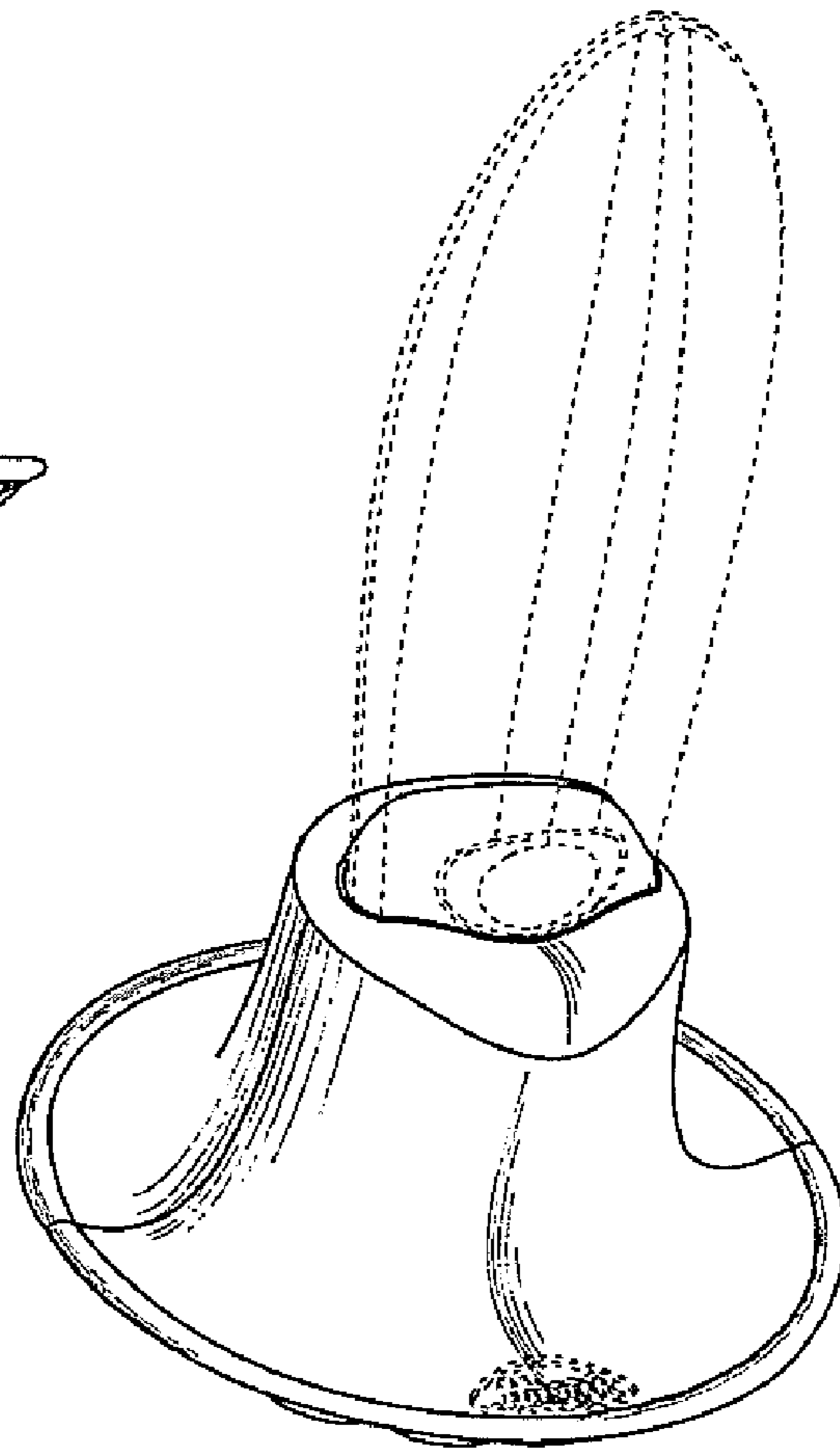


Fig. 1

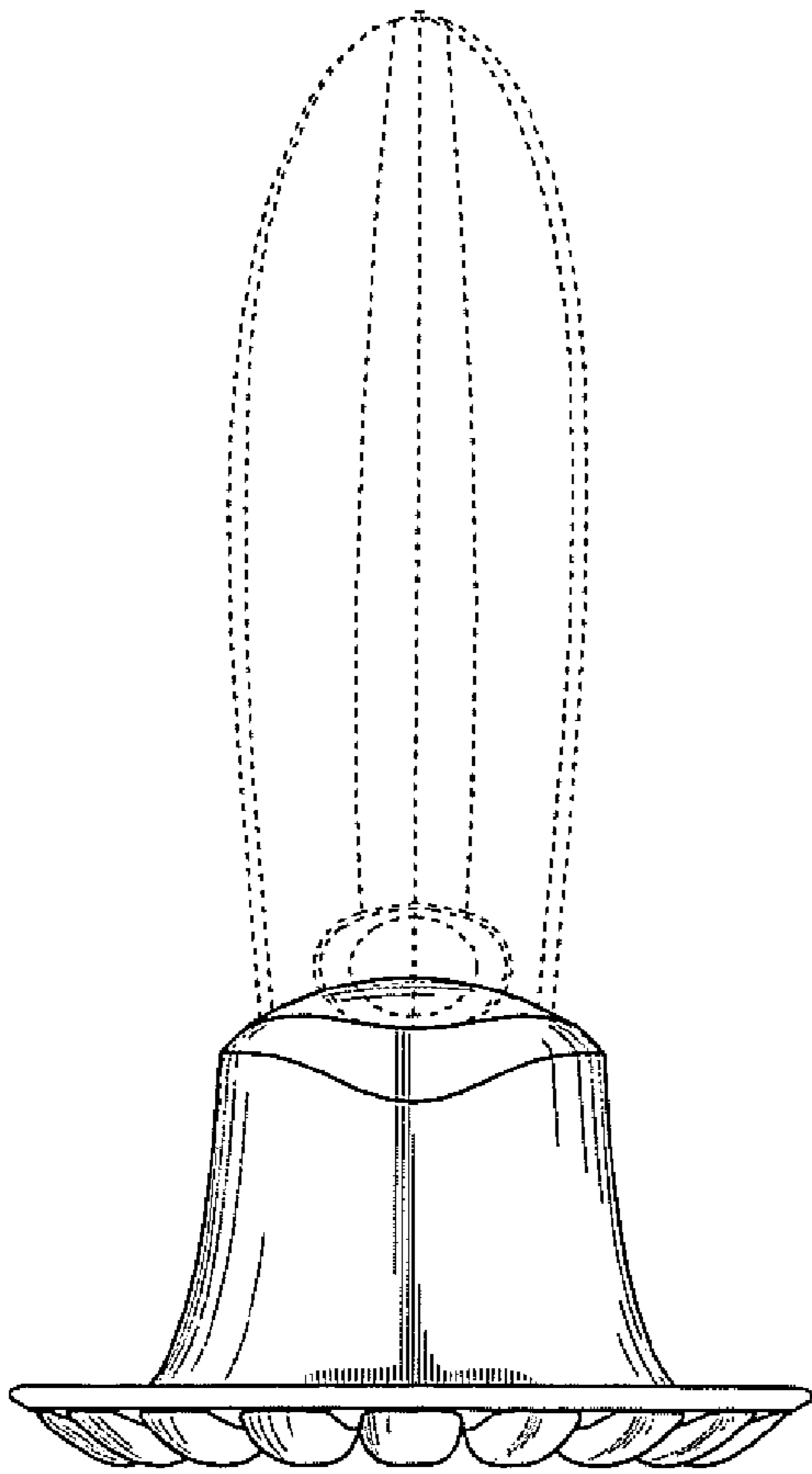


Fig. 3

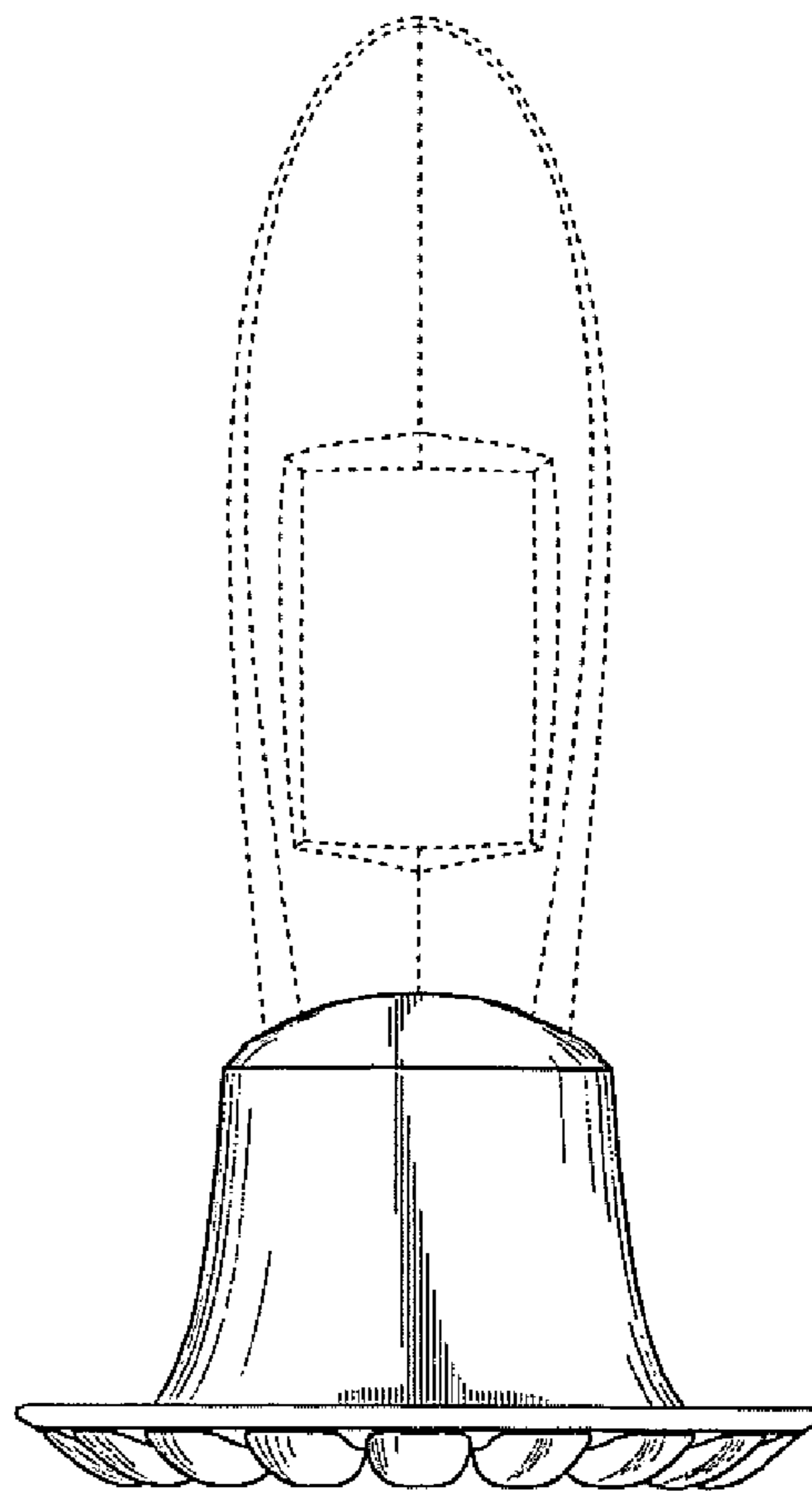


Fig. 4

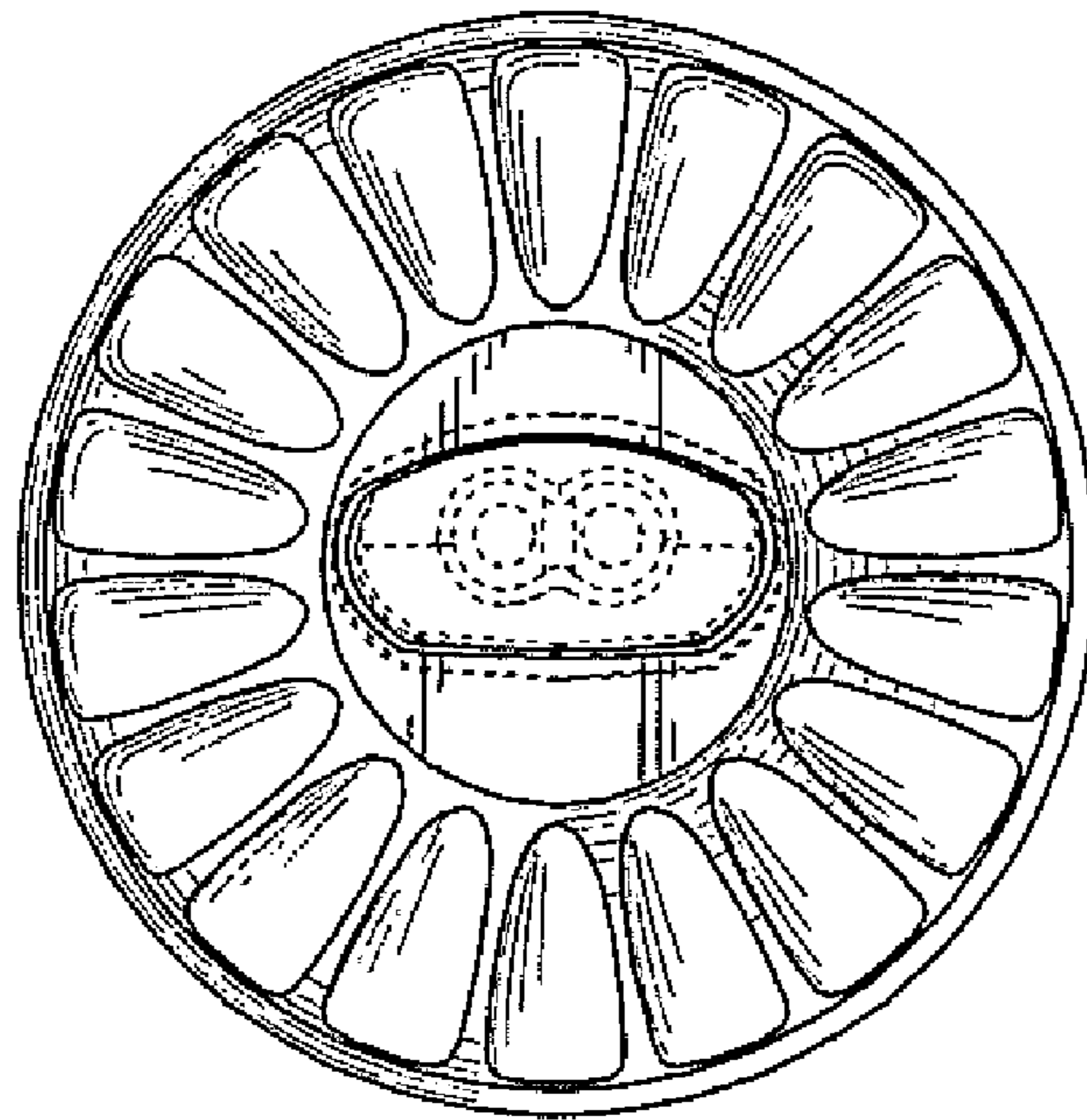


Fig. 5

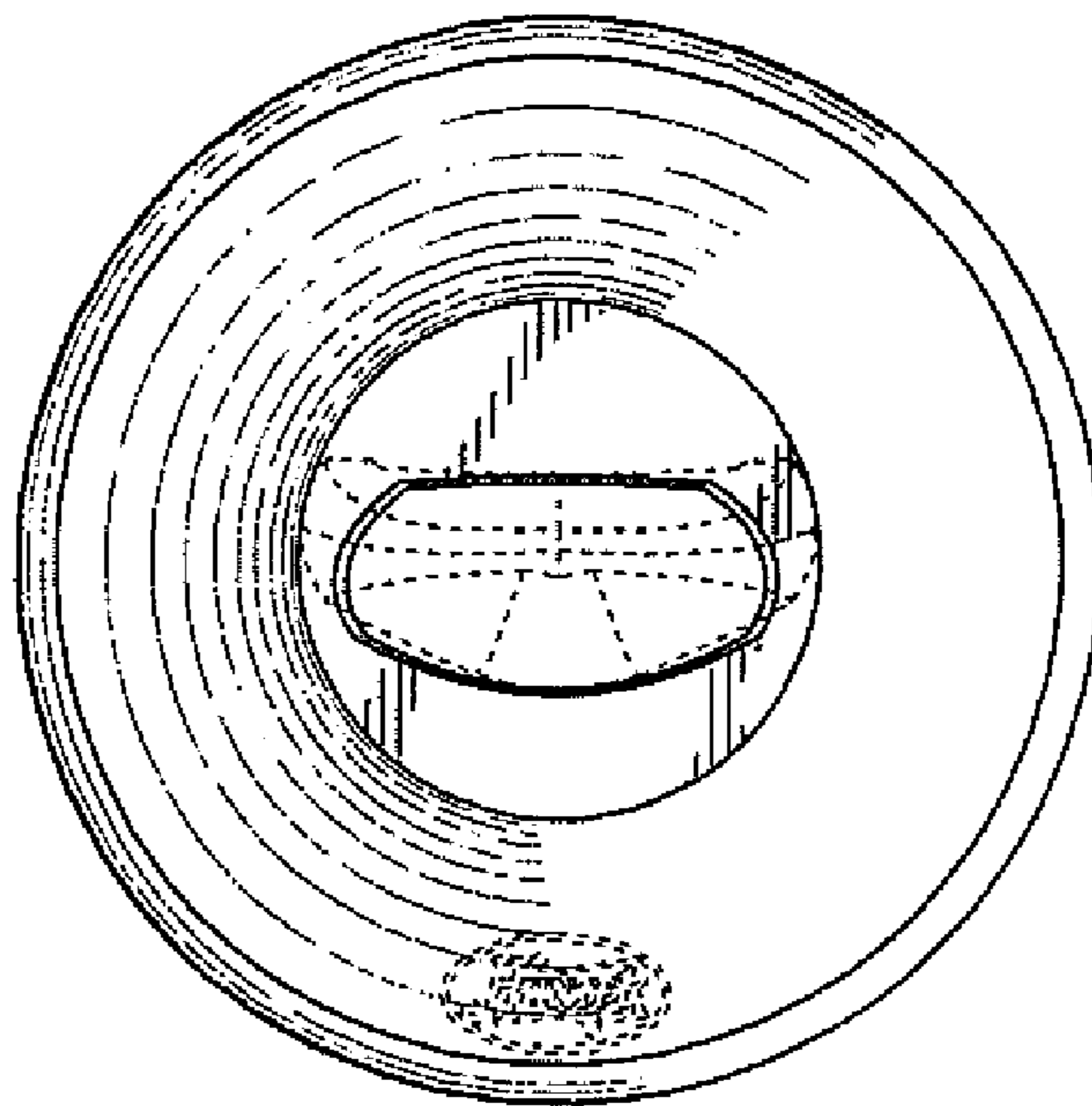


Fig. 6