



US00D553771S

(12) **United States Design Patent**
Watson et al.

(10) **Patent No.:** **US D553,771 S**

(45) **Date of Patent:** **** Oct. 23, 2007**

(54) **WORKLIGHT**

(75) Inventors: **James B. Watson**, Fallston, MD (US);
Francis C. Ng, Towson, MD (US)

(73) Assignee: **Black & Decker Inc.**, Newark, DE
(US)

(**) Term: **14 Years**

(21) Appl. No.: **29/248,590**

(22) Filed: **Aug. 23, 2006**

(51) **LOC (8) Cl.** **26-02**

(52) **U.S. Cl.** **D26/37**

(58) **Field of Classification Search** D26/37,
D26/38, 44, 46, 48, 51, 52, 56, 61, 63; 362/601-606,
362/612, 157, 158, 162, 183, 184, 190, 191,
362/196, 200, 201, 208, 251; D13/107, 108,
D13/116, 102, 139.1

See application file for complete search history.

(56) **References Cited**

U.S. PATENT DOCUMENTS

D265,428 S * 7/1982 Eickmeyer D26/63
D302,321 S * 7/1989 Charet et al. D26/37
D316,456 S * 4/1991 De Candia D26/63
5,685,631 A * 11/1997 Dobert et al. 362/158

D400,162 S * 10/1998 Lam D13/107
D400,163 S * 10/1998 Lam D13/107
6,926,130 B2 * 8/2005 Skowronski 191/12.2 R
7,152,997 B1 * 12/2006 Kovacic et al. 362/251
2006/0146523 A1 * 7/2006 Yuen 362/183

* cited by examiner

Primary Examiner—Ian Simmons

Assistant Examiner—Carissa C Fitts

(74) *Attorney, Agent, or Firm*—Adan Ayala

(57) **CLAIM**

The ornamental design for a worklight, as shown and described.

DESCRIPTION

FIG. 1 is a perspective view of a worklight according to the invention.

FIG. 2 is a front elevational view thereof.

FIG. 3 is a rear elevational view thereof.

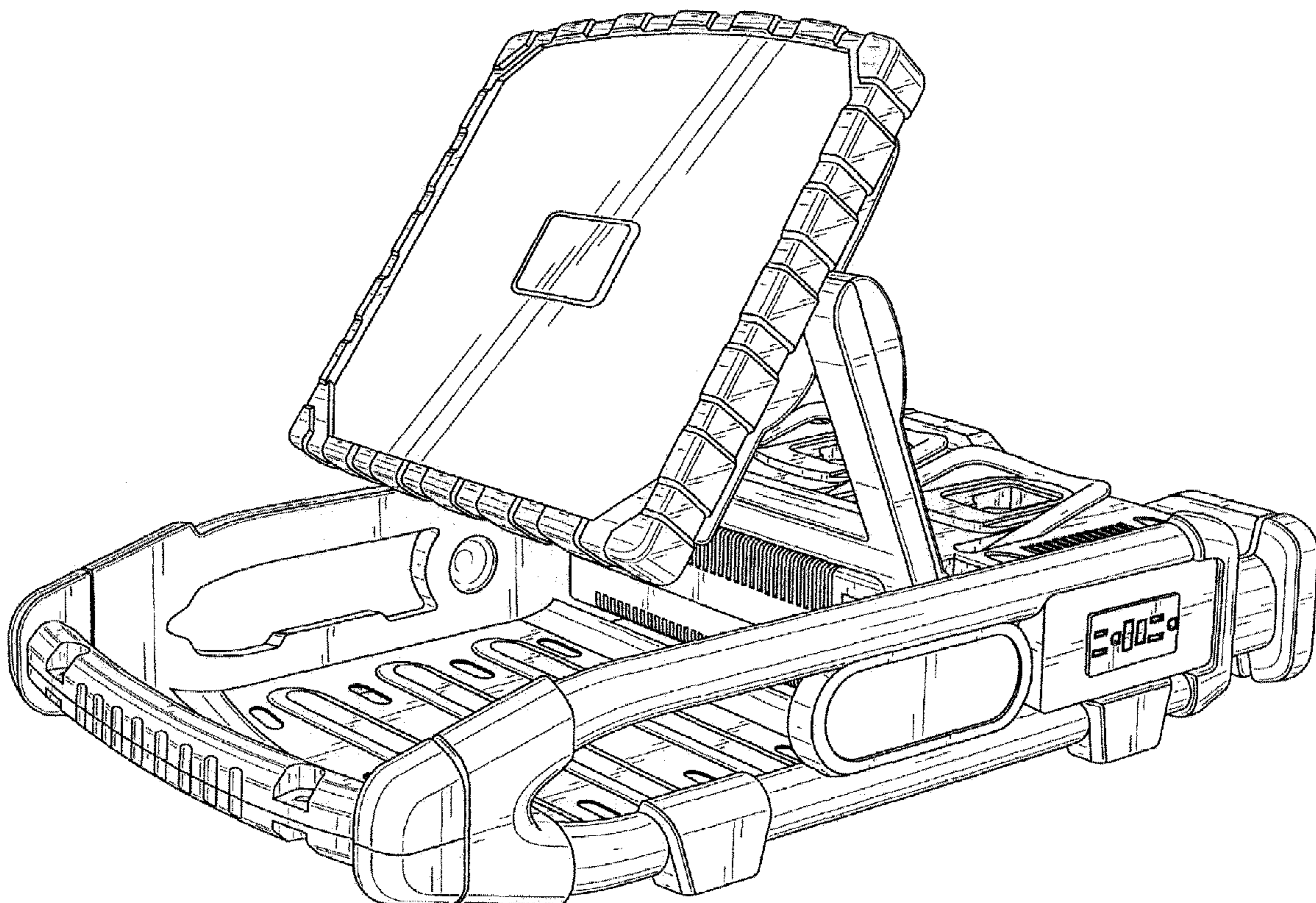
FIG. 4 is a left elevational view thereof.

FIG. 5 is a right elevational view thereof.

FIG. 6 is a top plan view thereof; and,

FIG. 7 is a bottom plan view thereof.

1 Claim, 7 Drawing Sheets



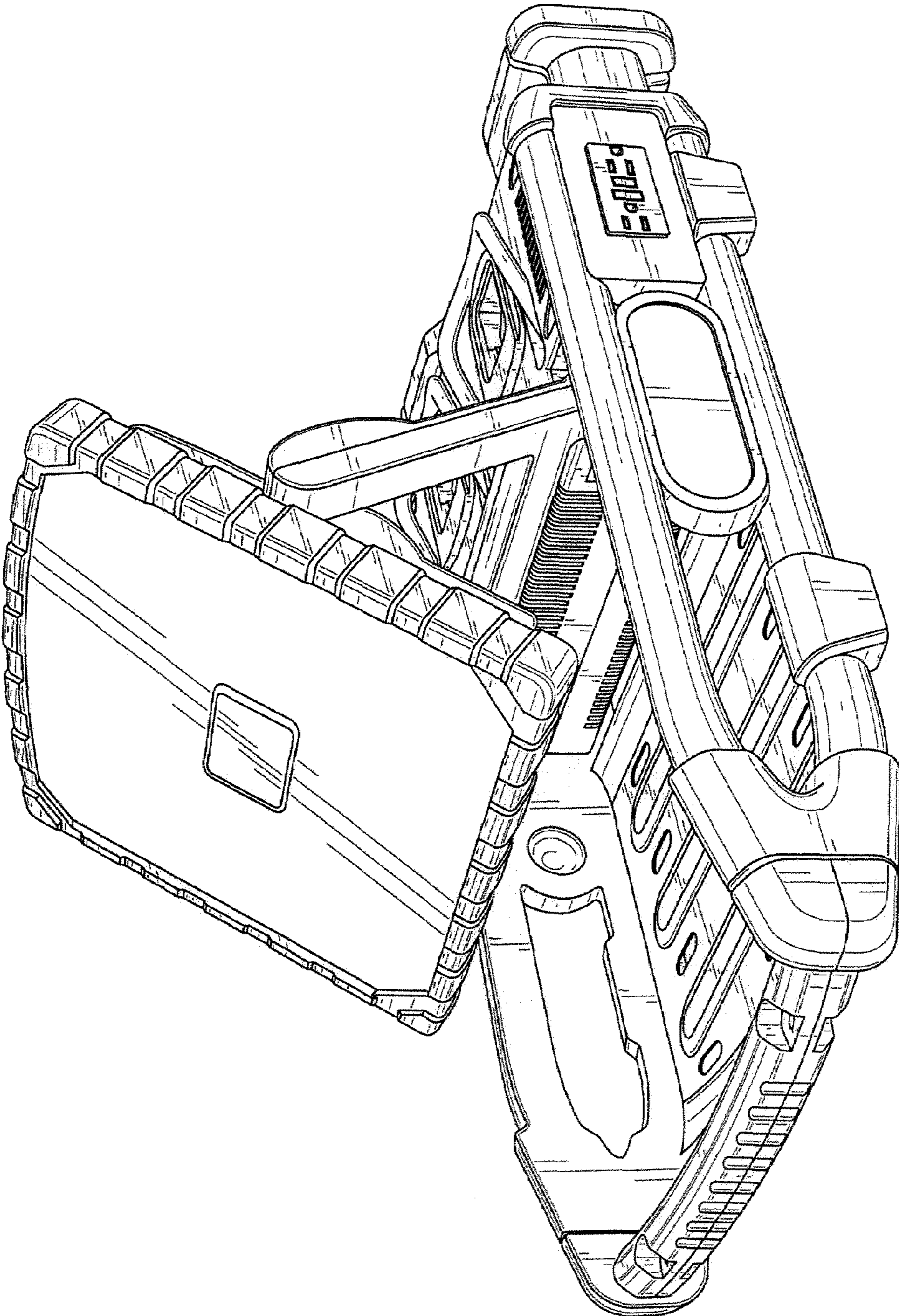


FIG. 1

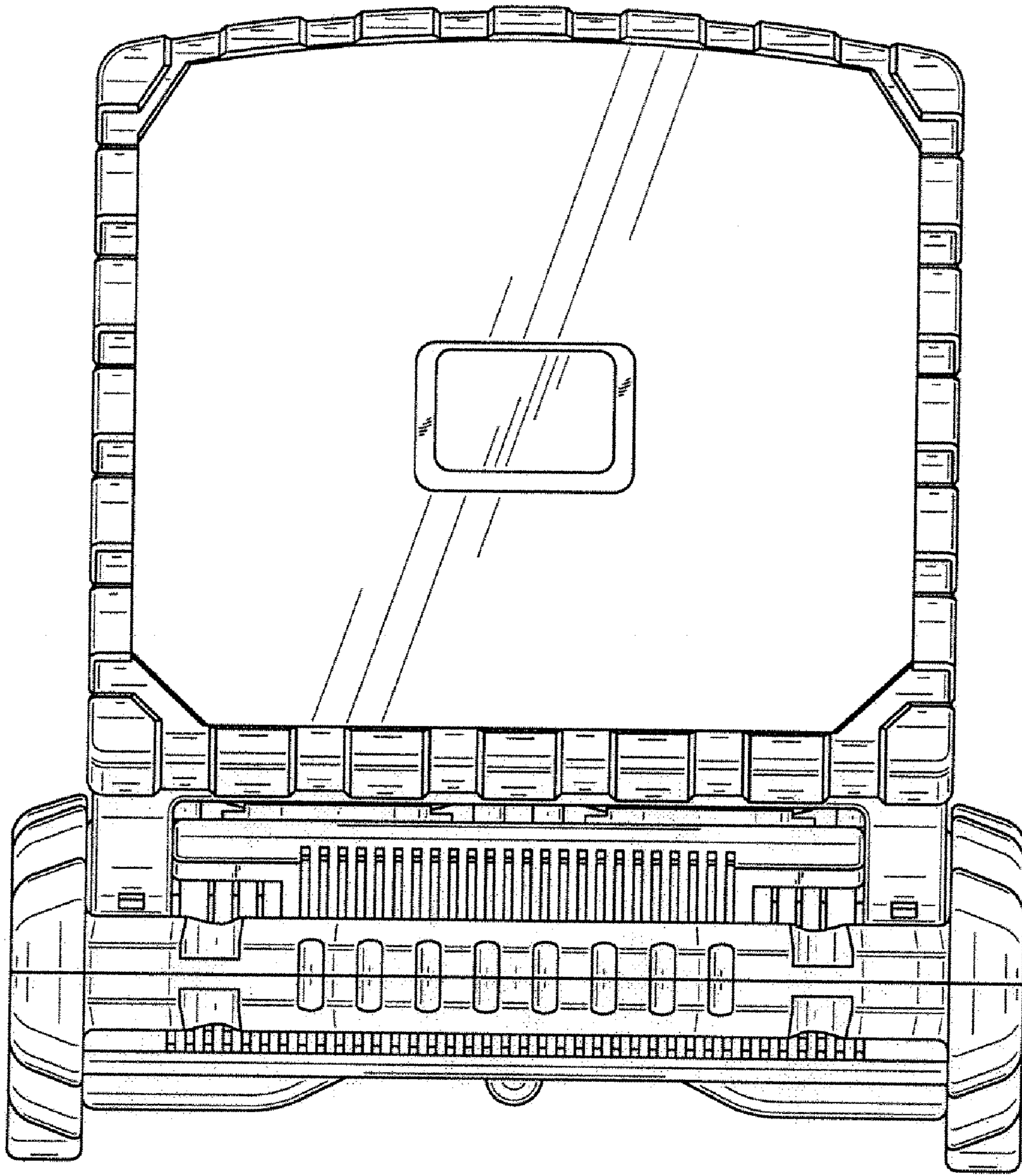


FIG. 2

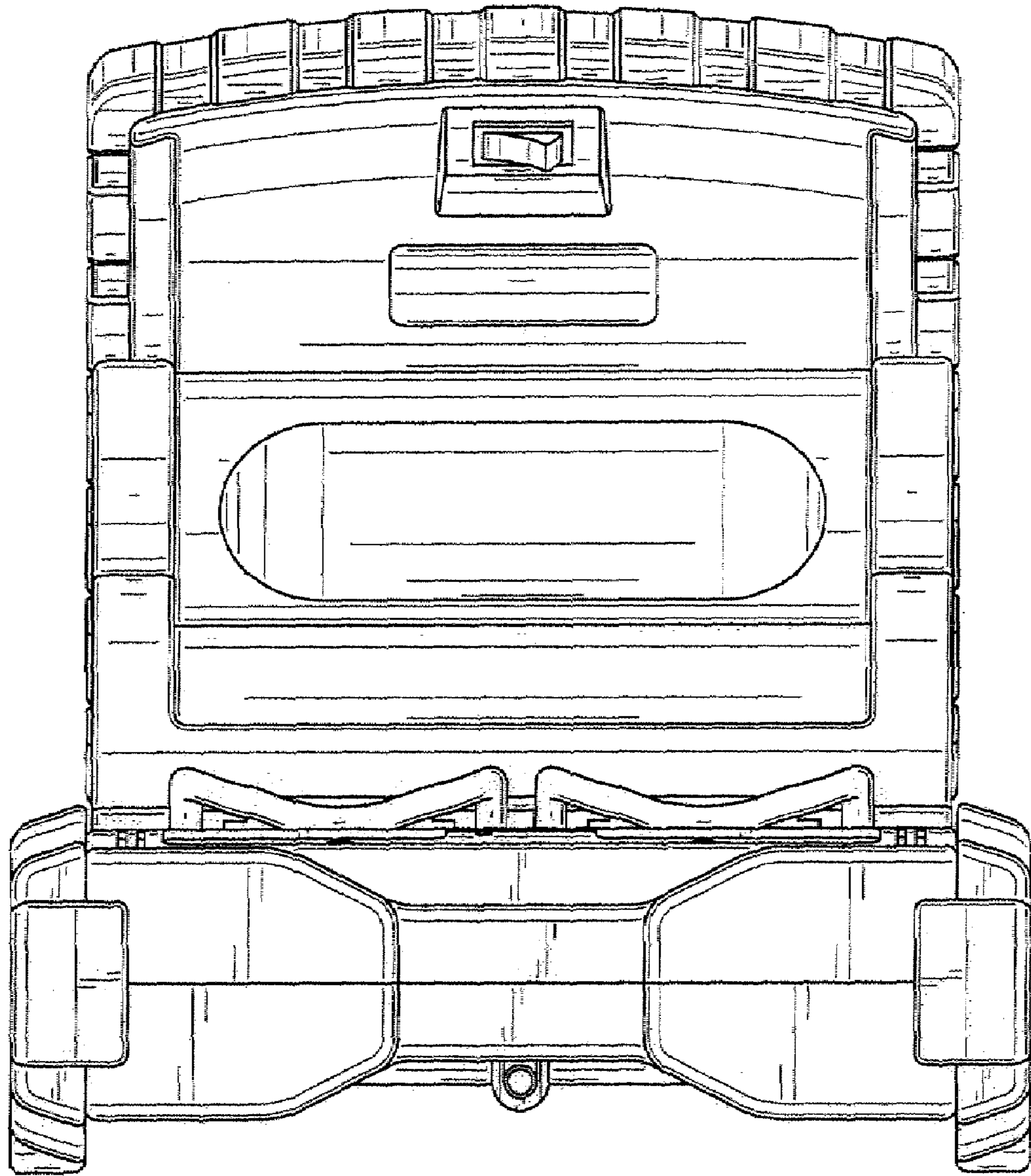


FIG. 3

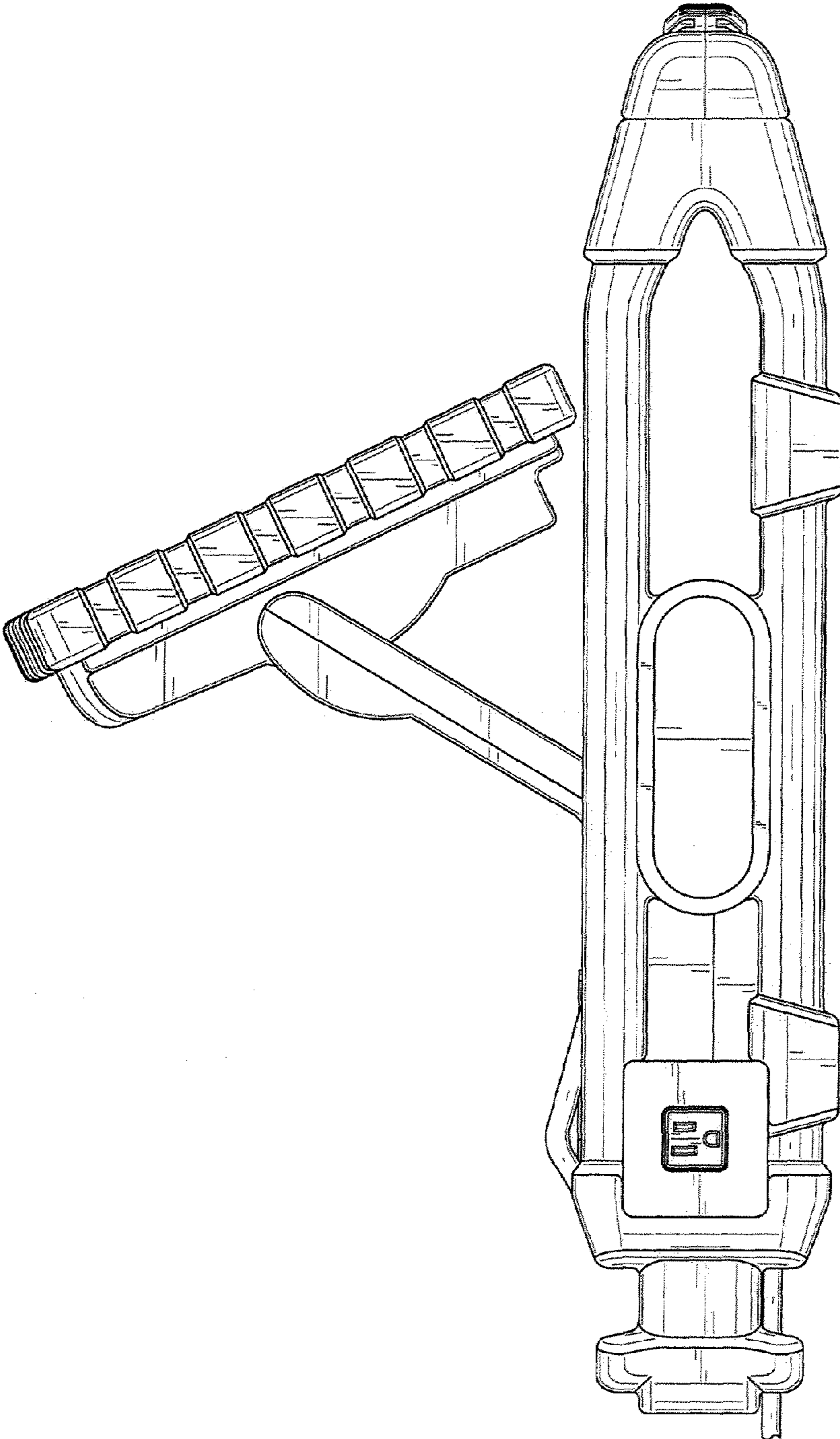


FIG. 4

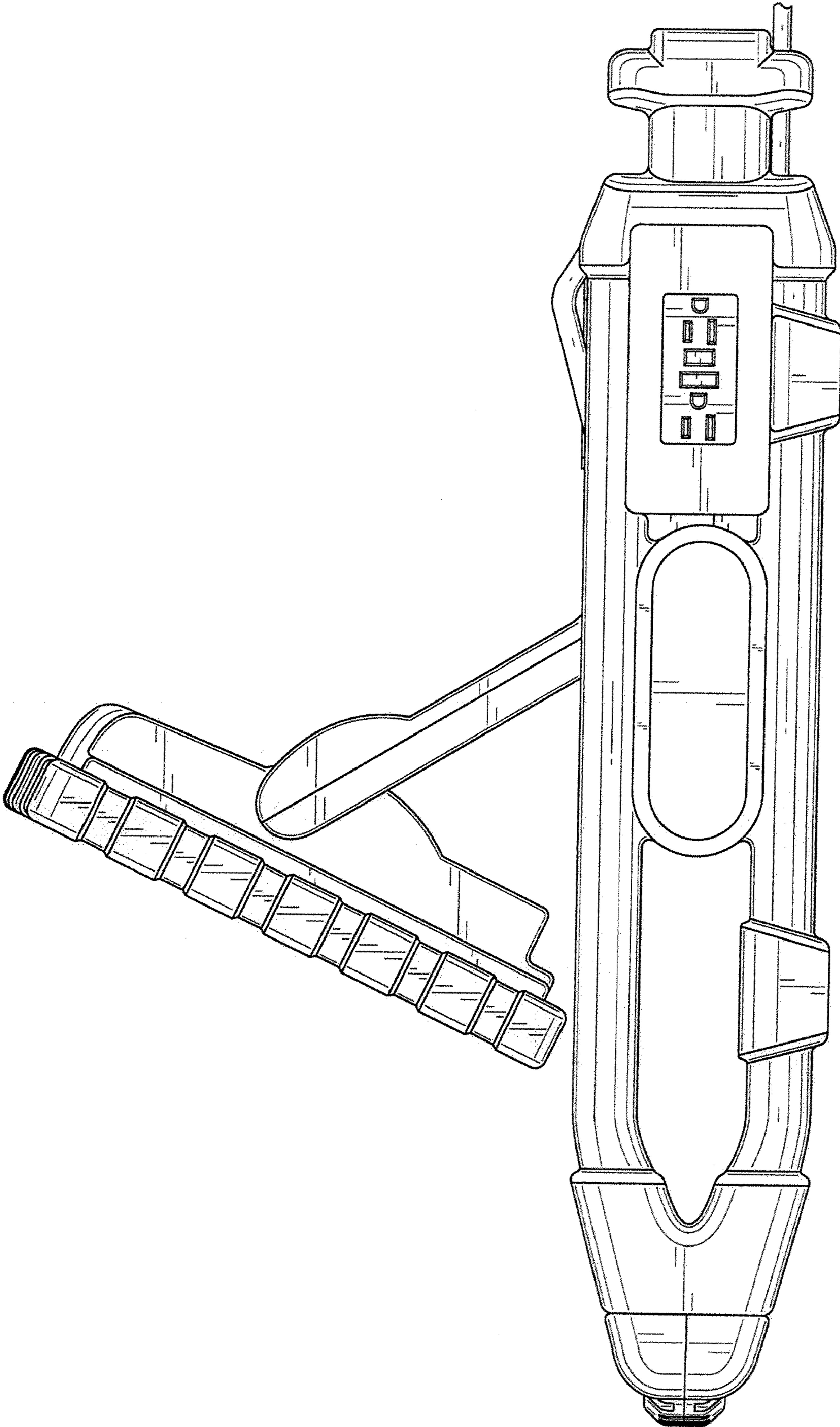


FIG. 5

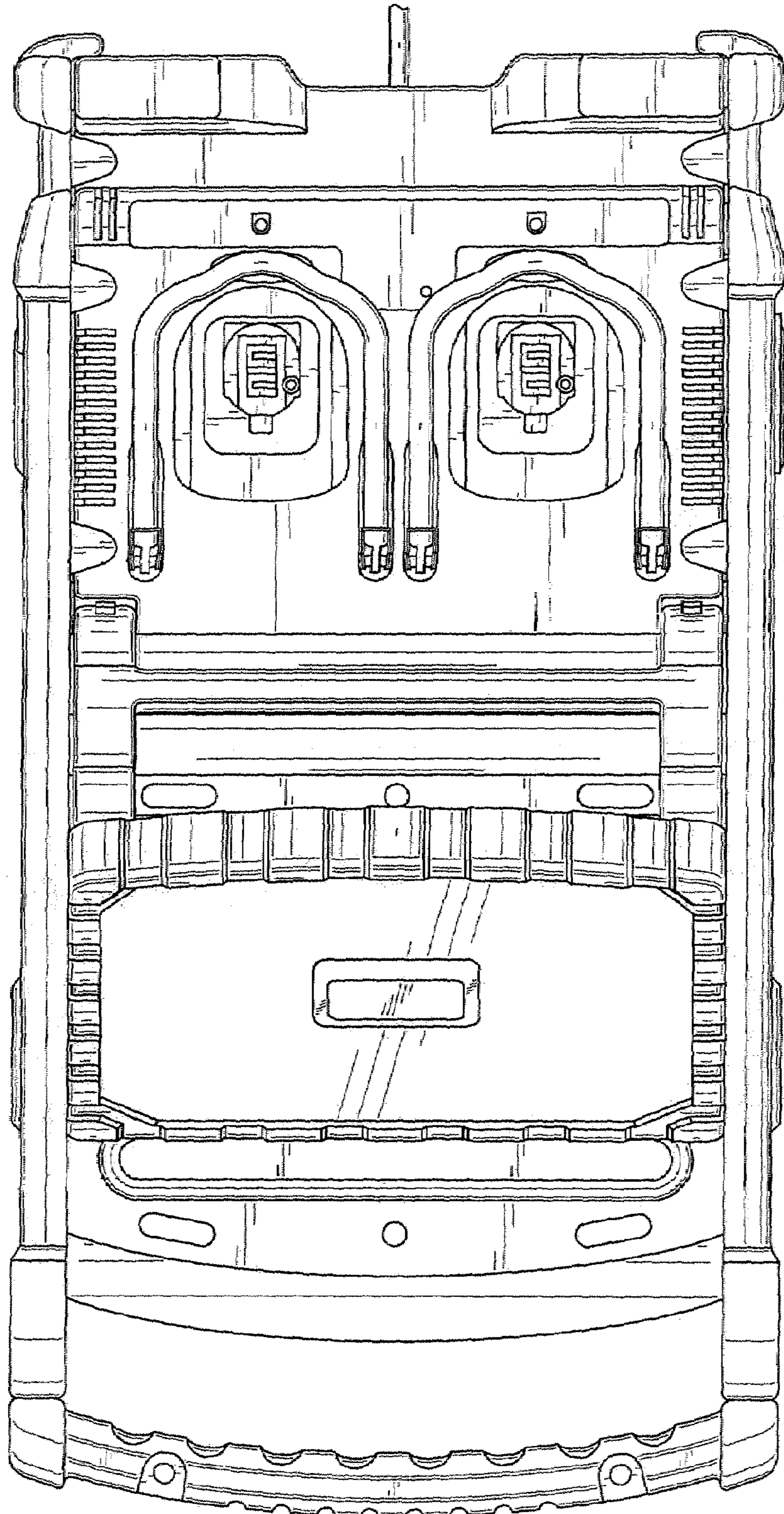


FIG. 6

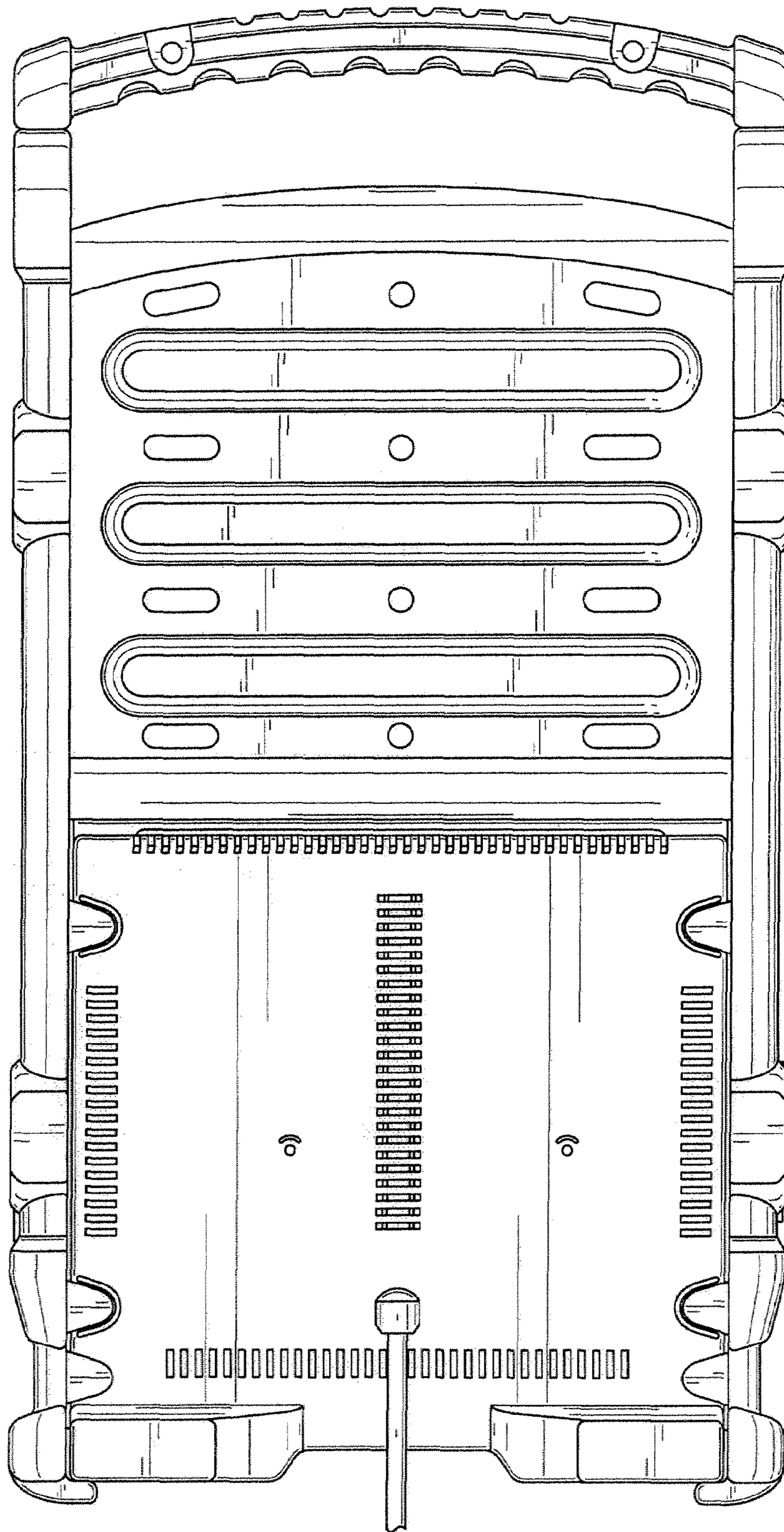


FIG. 7