



US00D553770S

(12) **United States Design Patent**
Li

(10) **Patent No.:** **US D553,770 S**

(45) **Date of Patent:** **** Oct. 23, 2007**

(54) **WORK LIGHT**

(76) **Inventor:** **Shen Jian Li**, Simen Industrial Zone,
Yuyao City, Zhejiang Province (CN)

(**) **Term:** **14 Years**

(21) **Appl. No.:** **29/246,538**

(22) **Filed:** **Apr. 21, 2006**

(51) **LOC (8) Cl.** **26-02**

(52) **U.S. Cl.** **D26/37; D26/42**

(58) **Field of Classification Search** D26/40,
D26/44, 43, 42, 37, 50, 41, 119; 362/157,
362/396, 399, 374, 375, 376, 486, 222, 217,
362/220, 223, 225, 260

See application file for complete search history.

(56) **References Cited**

U.S. PATENT DOCUMENTS

D136,570	S	*	10/1943	Stephens	D26/78
2,874,270	A	*	2/1959	Glendale et al.	362/222
4,262,327	A	*	4/1981	Kovacik et al.	362/223
5,243,505	A	*	9/1993	Carr	362/275
D367,123	S	*	2/1996	Blye	D26/42
5,909,953	A	*	6/1999	Shima	362/260
D458,400	S	*	6/2002	Kovacik et al.	D26/50
D483,893	S	*	12/2003	Galvez	D26/44
D490,179	S	*	5/2004	Niemann	D26/37

6,830,360	B1	*	12/2004	Galvez	362/249
D504,532	S	*	4/2005	Kovacik et al.	D26/44
D515,721	S	*	2/2006	Lin	D26/44
2006/0198132	A1	*	9/2006	Trigiani et al.	362/183

* cited by examiner

Primary Examiner—Ian Simmons

Assistant Examiner—Carissa C. Fitts

(74) *Attorney, Agent, or Firm*—Global IP Services; Tianhua Gu

(57) **CLAIM**

The ornamental design for a work light, as shown and described.

DESCRIPTION

FIG. 1 is a front view of a work light showing my new design;

FIG. 2 is a back view thereof;

FIG. 3 is a right side view thereof;

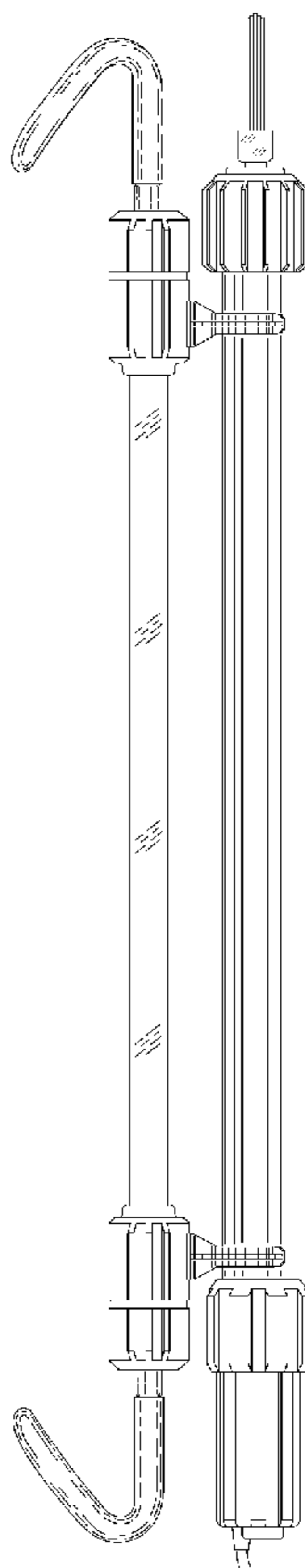
FIG. 4 is a left side view thereof;

FIG. 5 is a top plan view thereof; and,

FIG. 6 is a bottom plan view thereof.

The broken line showing is for illustrative purposes only and forms no part of the claimed design.

1 Claim, 5 Drawing Sheets



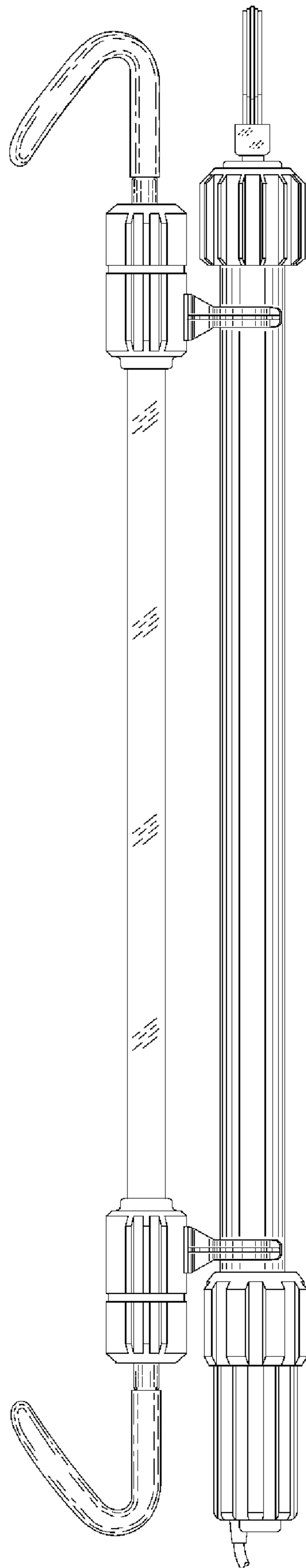


Fig. 1

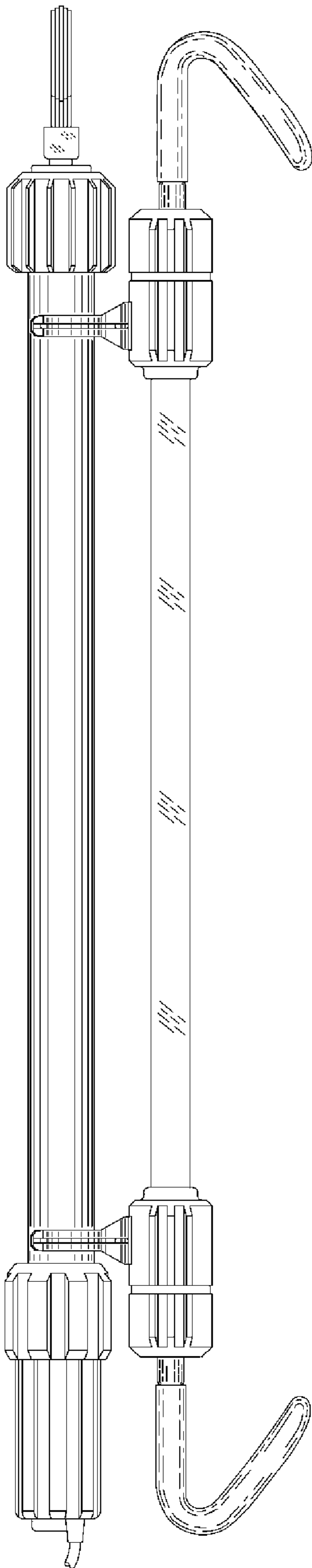


Fig. 2

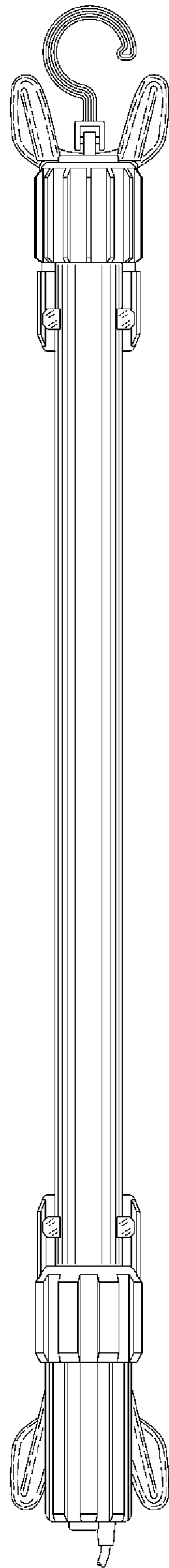


Fig. 3

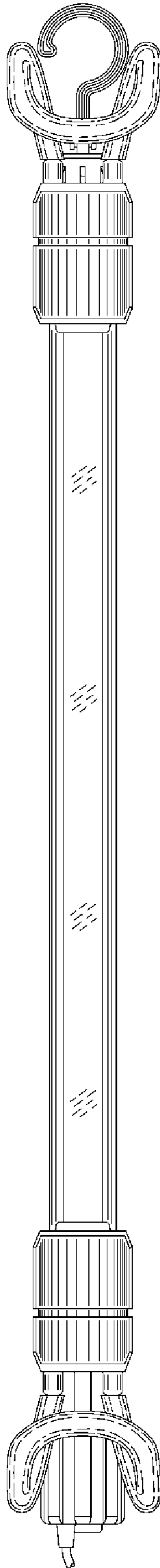


Fig. 4

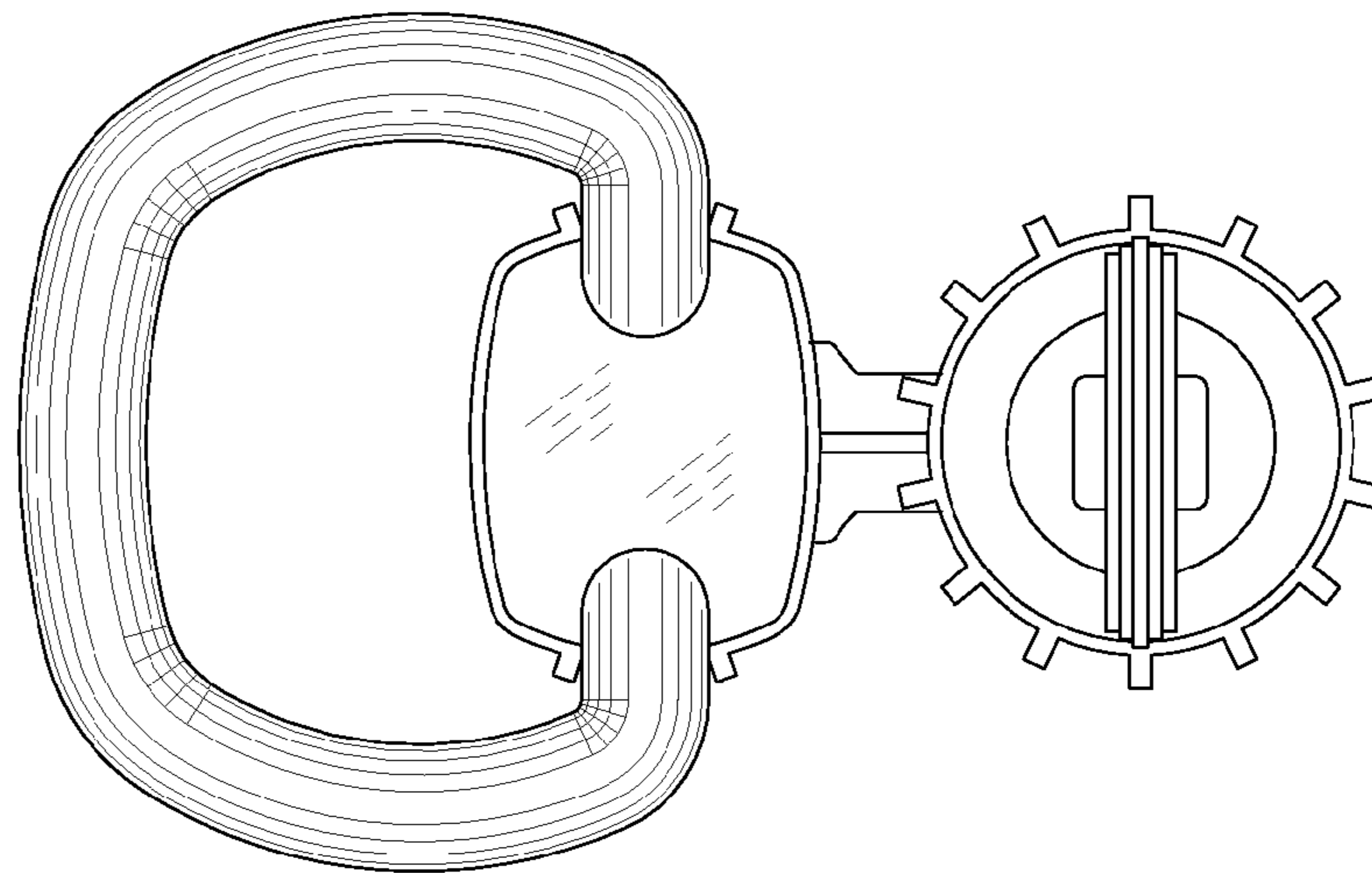


Fig. 5

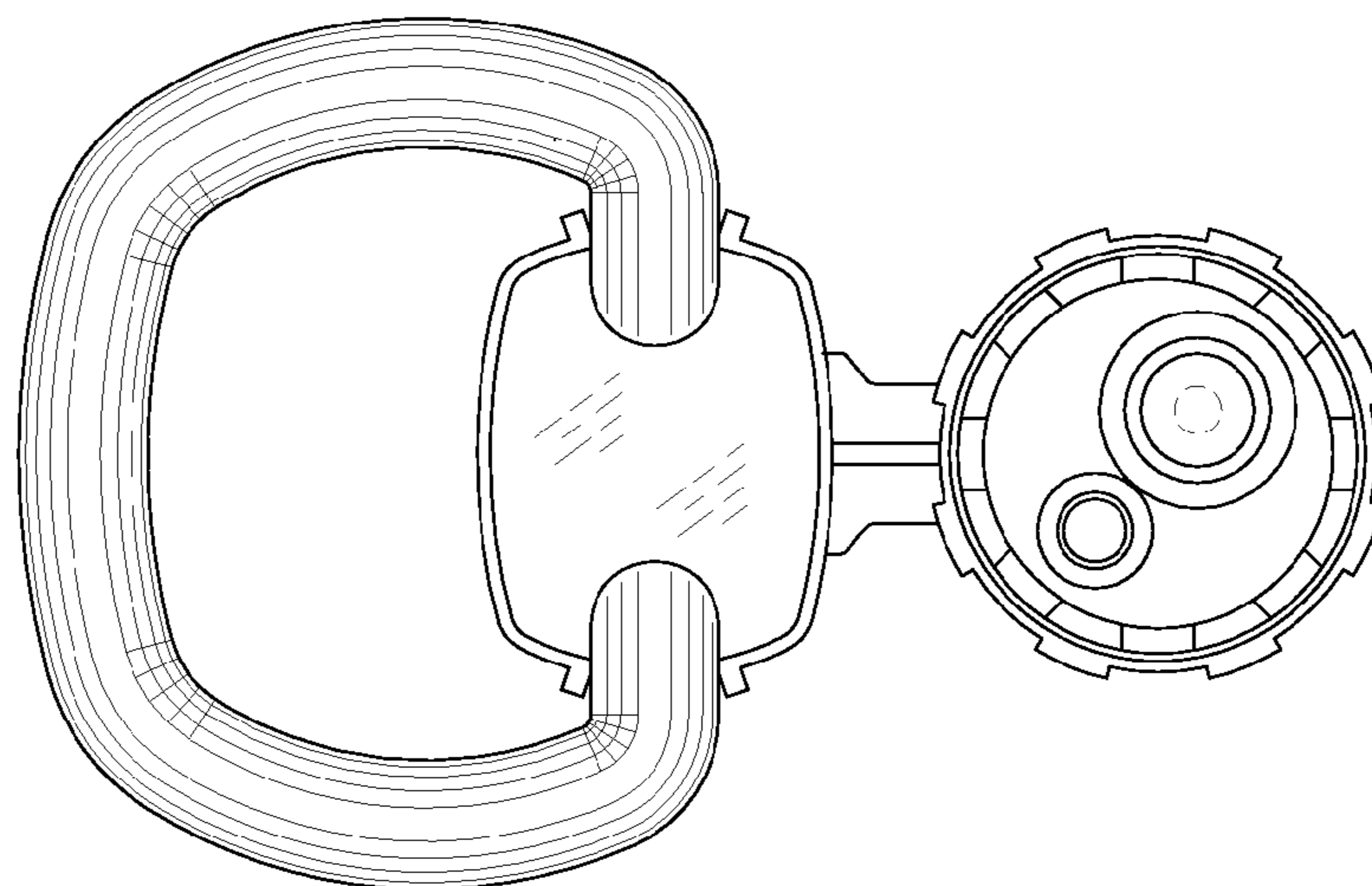


Fig. 6