

US00D553765S

(12) **United States Design Patent**
Okamura et al.

(10) **Patent No.:** **US D553,765 S**

(45) **Date of Patent:** **** Oct. 23, 2007**

(54) **FRONT COMBINATION LAMP FOR AN AUTOMOBILE**

Alfa Romeo 159 in "Auto Car Japan," issued by Kabushiki Kaisha Neko Publishing, May 1, 2005.

(75) Inventors: **Kenichi Okamura**, Nagoya (JP); **Moto Takabatake**, Toyota (JP); **Hiroya Kitazumi**, Anjo (JP)

* cited by examiner

(73) Assignee: **Toyota Jidosha Kabushiki Kaisha**, Aichi-ken (JP)

Primary Examiner—Marcus A. Jackson
(74) *Attorney, Agent, or Firm*—Finnegan, Henderson, Farabow, Garrett & Dunner, L.L.P.

(**) Term: **14 Years**

(57) **CLAIM**

(21) Appl. No.: **29/239,550**

The ornamental design for a front combination lamp for an automobile, as shown and described.

(22) Filed: **Oct. 3, 2005**

DESCRIPTION

(51) **LOC (8) Cl.** **26-06**

(52) **U.S. Cl.** **D26/28**

(58) **Field of Classification Search** D26/28-36;
362/459-468, 475-478, 485-487

See application file for complete search history.

FIG. 1 is a front perspective view of a front combination lamp for an automobile of our new design;

FIG. 2 is a front view thereof;

FIG. 3 is a rear view thereof;

FIG. 4 is a top plan view thereof;

FIG. 5 is a bottom plan view thereof;

FIG. 6 is a right side view thereof; and,

FIG. 7 is a left side view thereof.

Our design includes the mirror image of the embodiment depicted.

(56) **References Cited**

U.S. PATENT DOCUMENTS

D508,745 S * 8/2005 Pfeiffer et al. D26/28

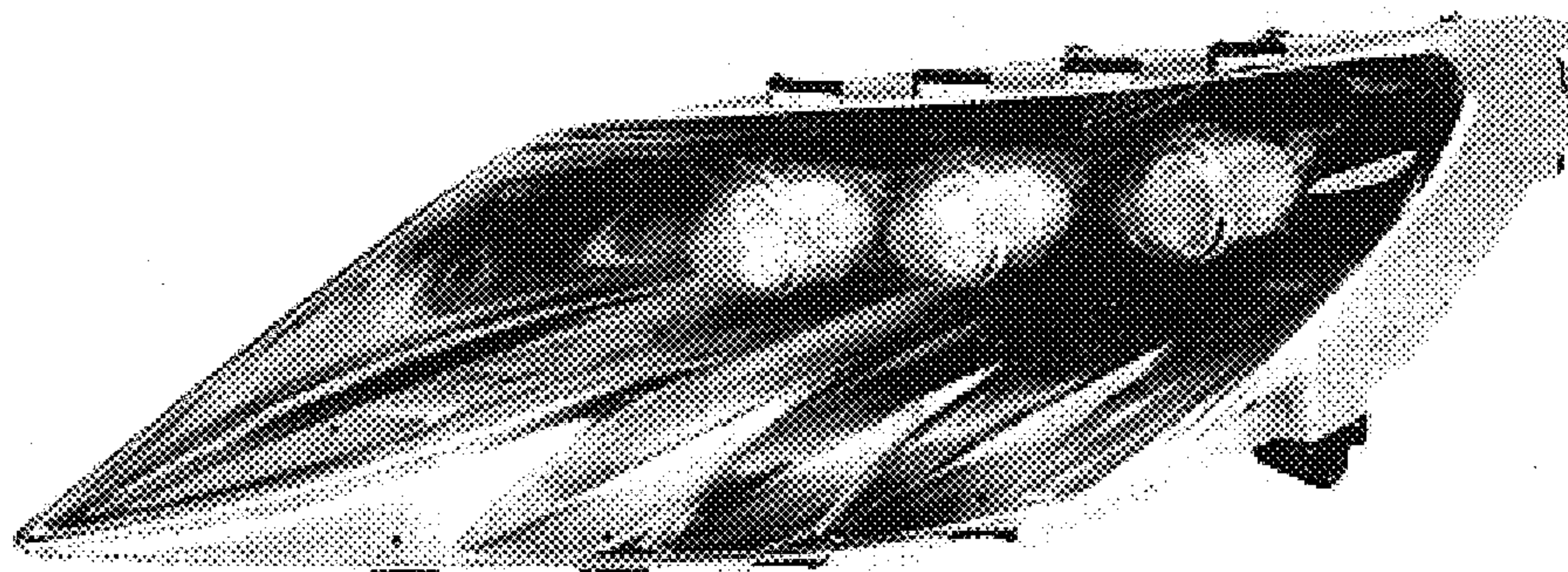
D518,197 S * 3/2006 Osawa D26/28

OTHER PUBLICATIONS

Brochure for Toyota Mark X, issued by Toyota Jidosha Kabushiki Kaisha, Nov. 2004.

Alfa Romeo Visconti in "The Car Design Yearbook 3," issued by Merrell in 2004.

1 Claim, 4 Drawing Sheets



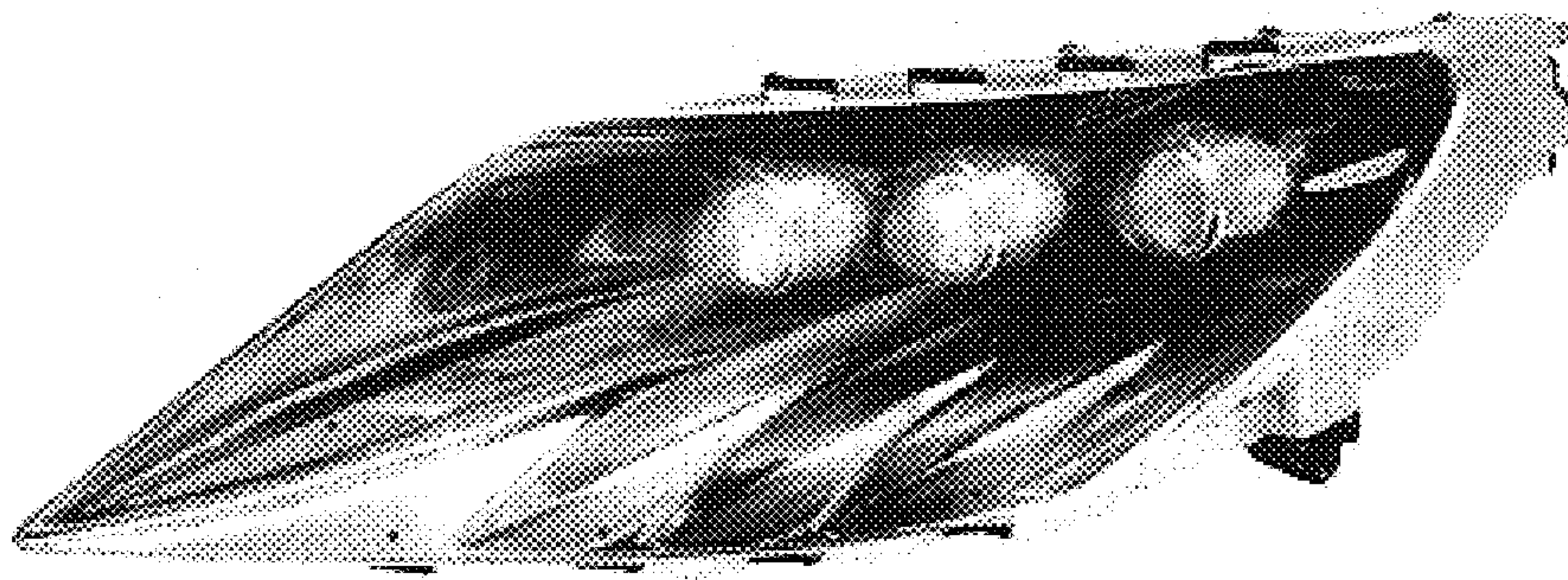


FIG. 1

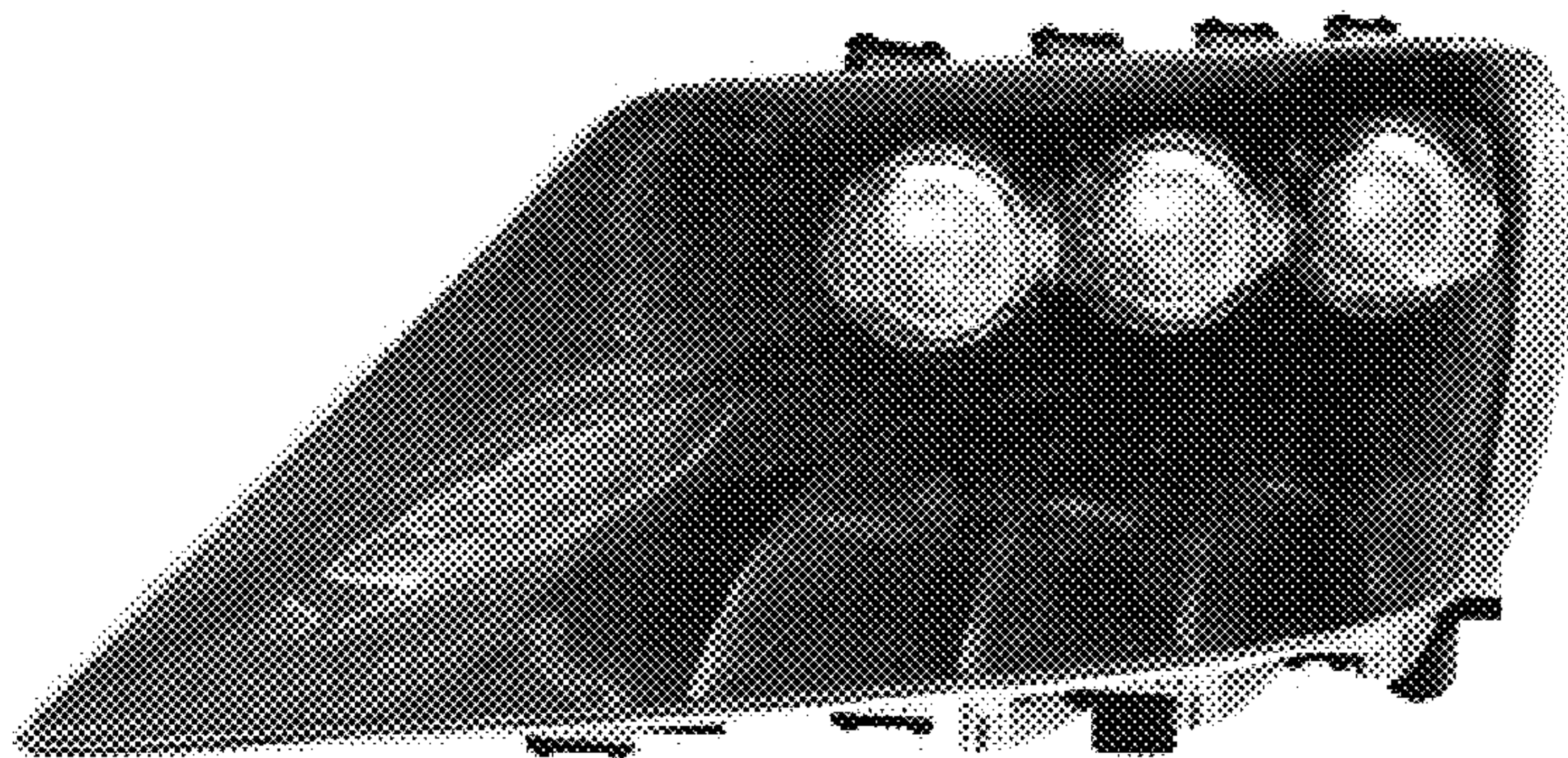


FIG. 2

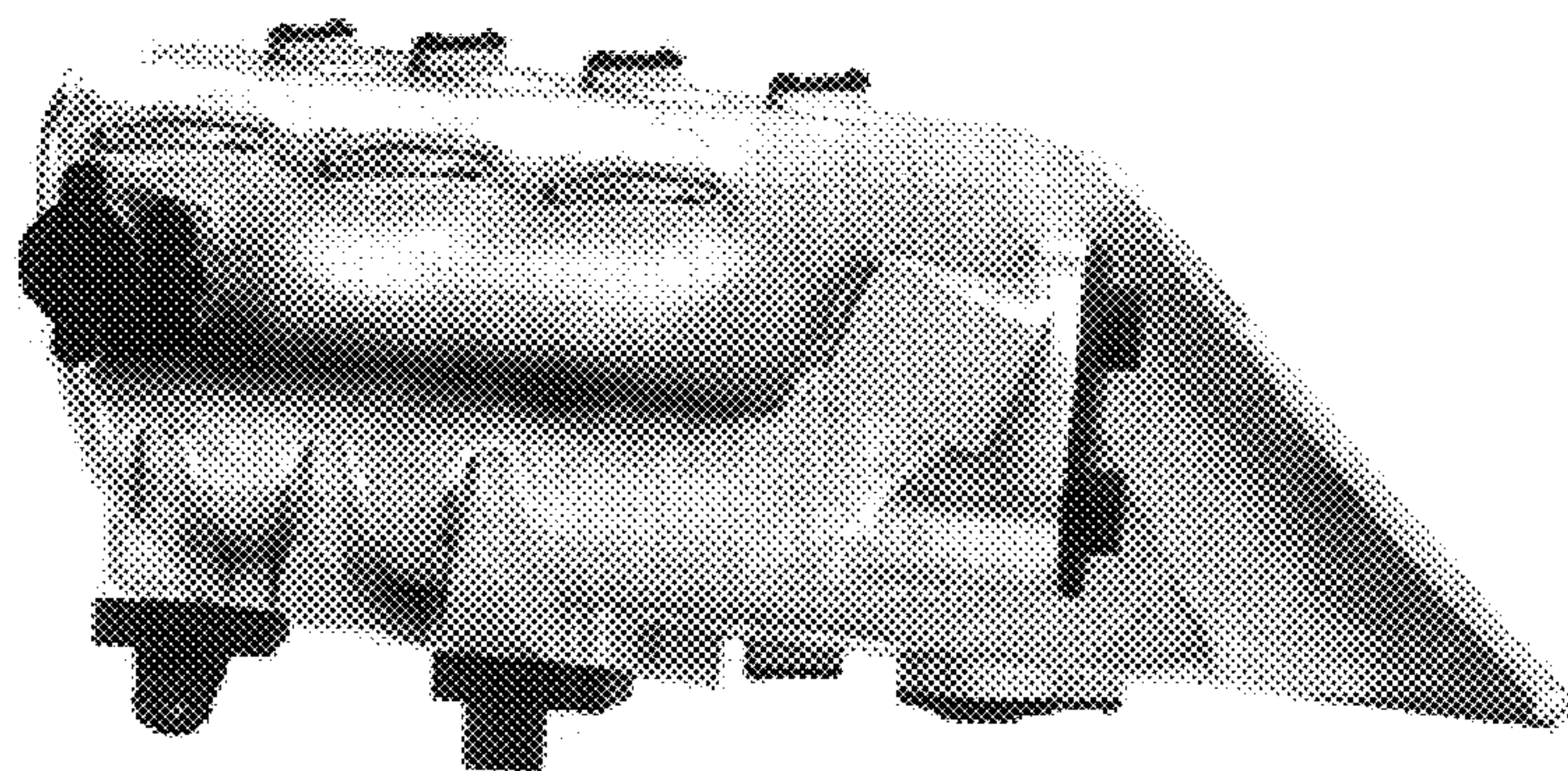


FIG. 3

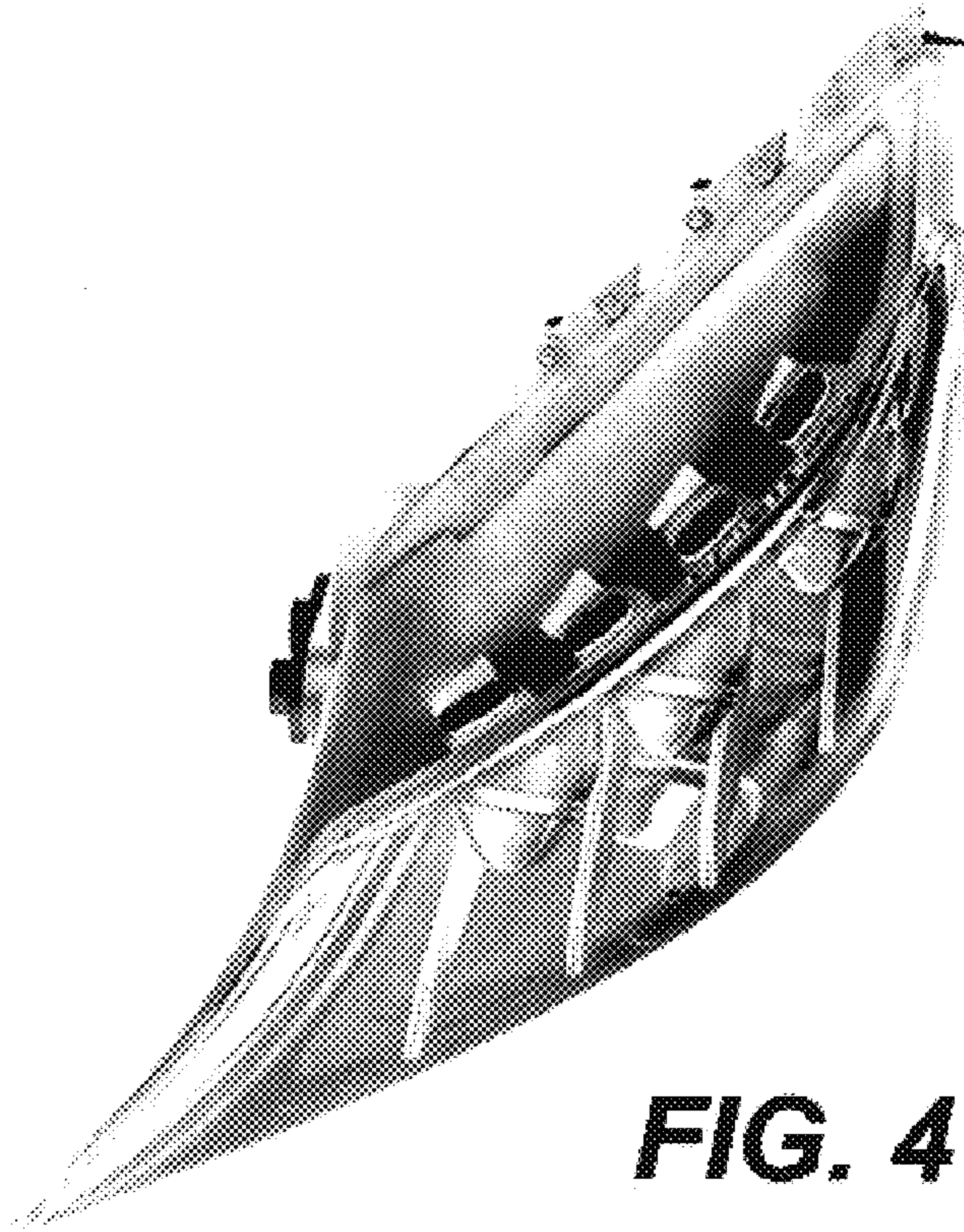


FIG. 4

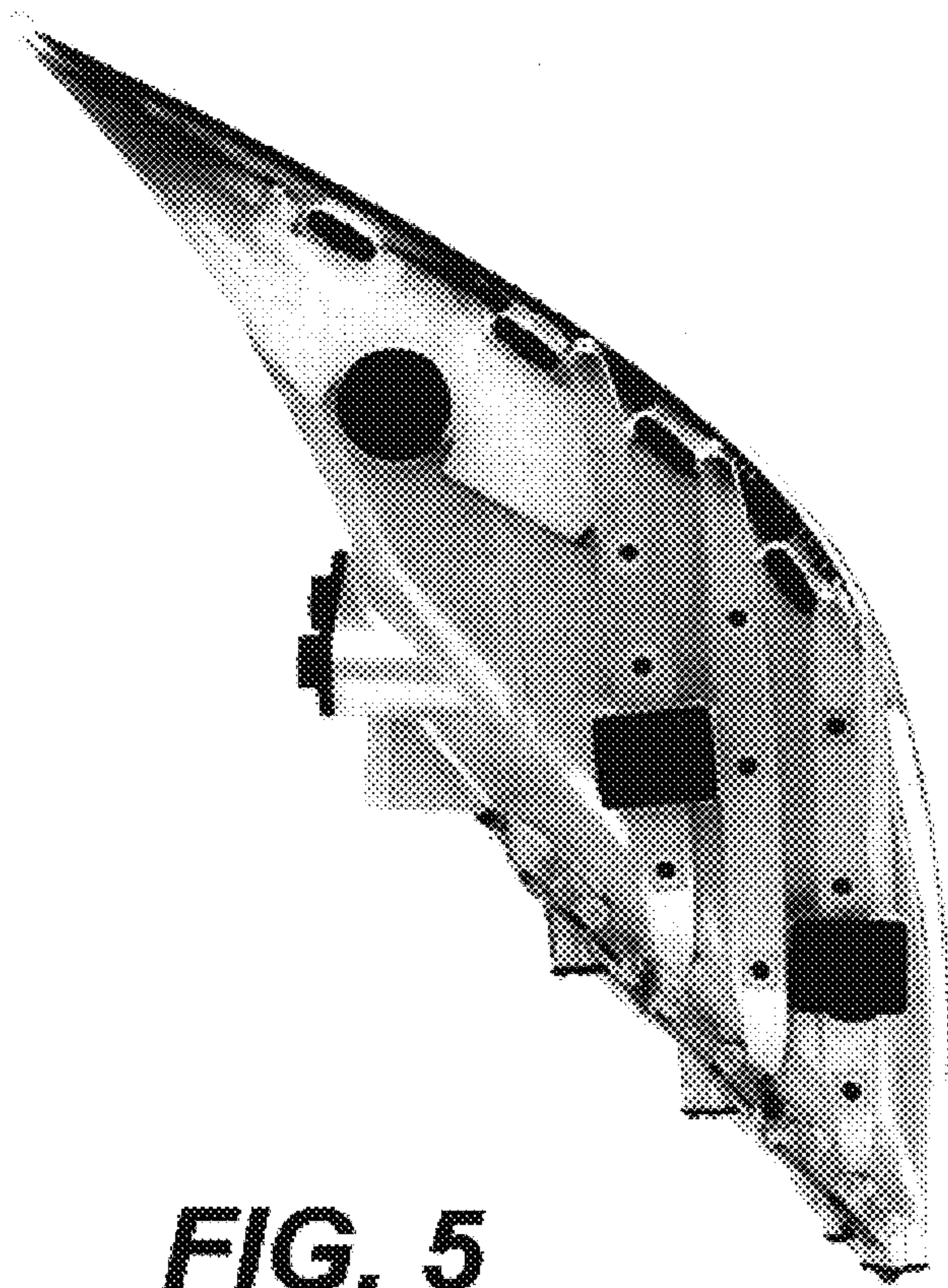


FIG. 5

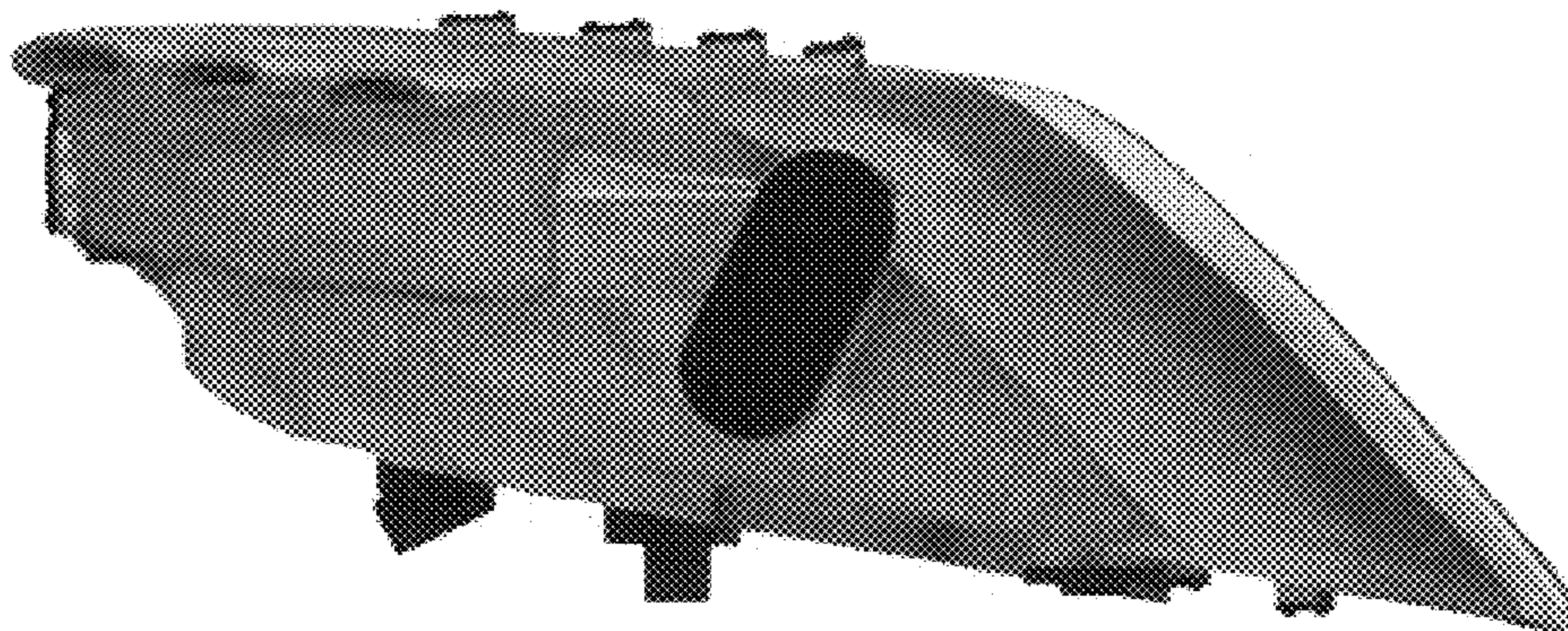


FIG. 6

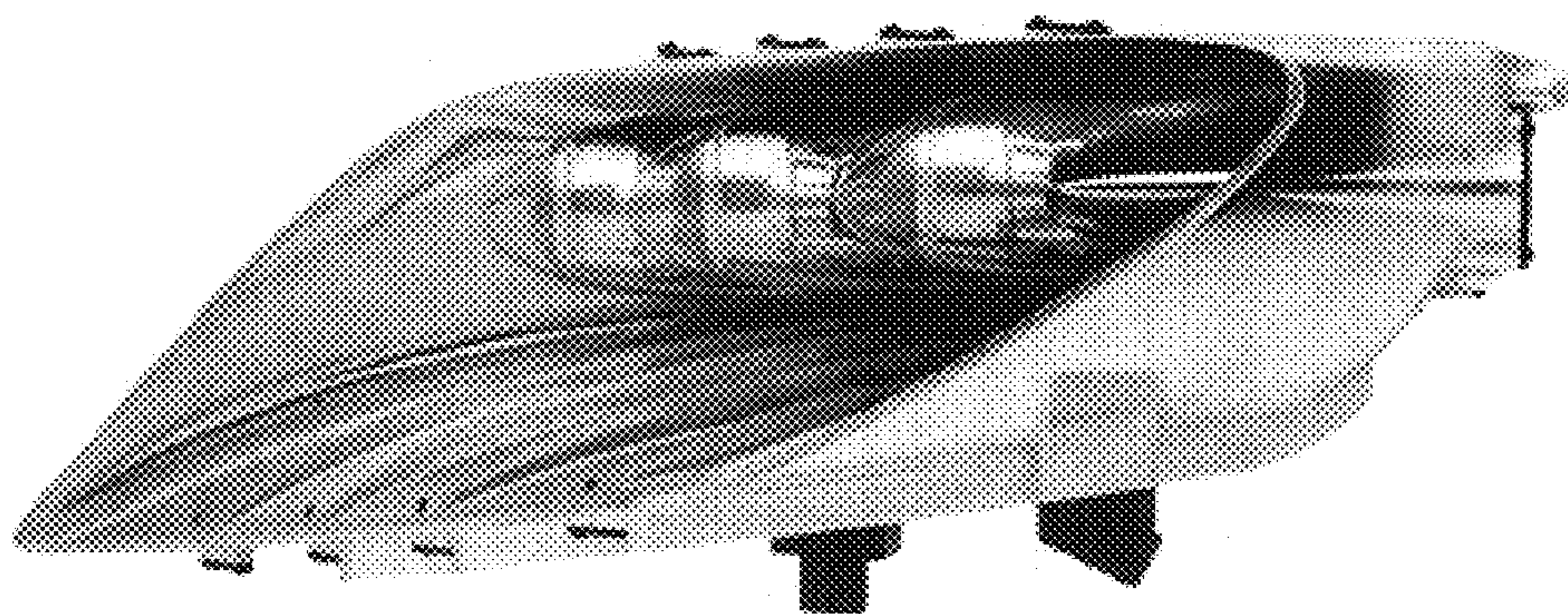


FIG. 7