



US00D553758S

(12) **United States Design Patent**
Turjanski

(10) **Patent No.:** **US D553,758 S**

(45) **Date of Patent:** **** Oct. 23, 2007**

(54) **BUILDING PANEL JOINT FRAME**

(76) **Inventor:** **Jorge Daniel Turjanski**, Boyacá 971,
Buenos Aires (AR) C1406BHQ

(**) **Term:** **14 Years**

(21) **Appl. No.:** **29/247,480**

(22) **Filed:** **Jun. 21, 2006**

(30) **Foreign Application Priority Data**

Dec. 22, 2005 (AR) 74559

(51) **LOC (8) Cl.** **25-01**

(52) **U.S. Cl.** **D25/102**

(58) **Field of Classification Search** D25/199,
D25/164, 102; 52/415, 416, 417, 419, 434,
52/435, 243, 279, 459, 287.1, 465, 290, 469

See application file for complete search history.

(56) **References Cited**

U.S. PATENT DOCUMENTS

D388,884 S * 1/1998 Karnoski D25/102

5,924,253 A * 7/1999 Walker 52/415

5,974,748 A * 11/1999 Sciuga et al. 52/287.1

6,311,442 B1 * 11/2001 Watanabe 52/282.3

6,347,495 B1 * 2/2002 Conterno 52/483.1

D456,089 S * 4/2002 Shaw et al. D25/139

* cited by examiner

Primary Examiner—Doris Clark

(74) *Attorney, Agent, or Firm*—The H.T. Than Law Group;
H. T. Than

(57) **CLAIM**

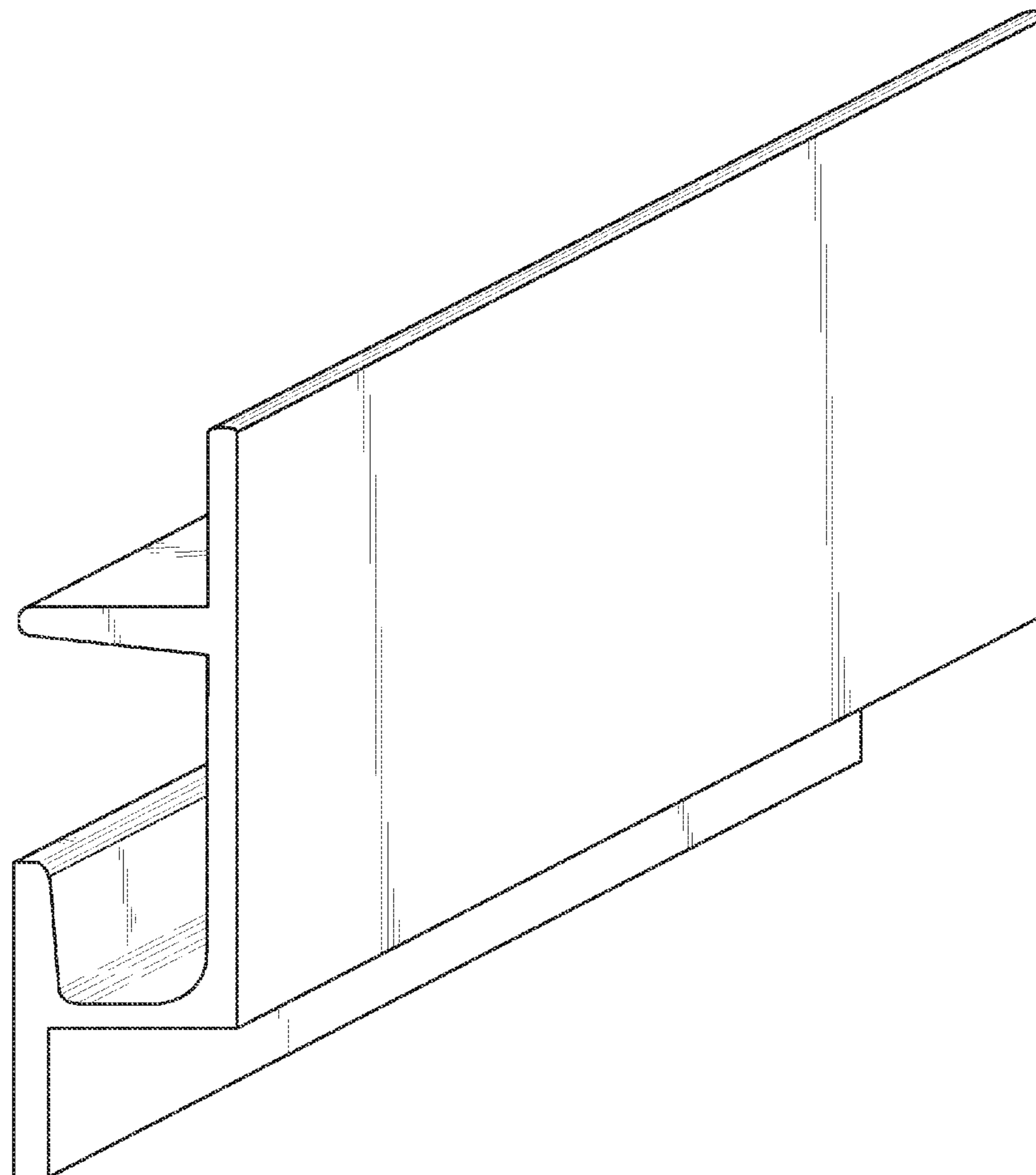
I claim, the ornamental design for a building panel joint frame, as shown and described.

DESCRIPTION

FIG. 1 is a back and end perspective view of the building panel joint frame showing my new design; and,

FIG. 2 is a front and opposite end perspective view thereof.

1 Claim, 2 Drawing Sheets



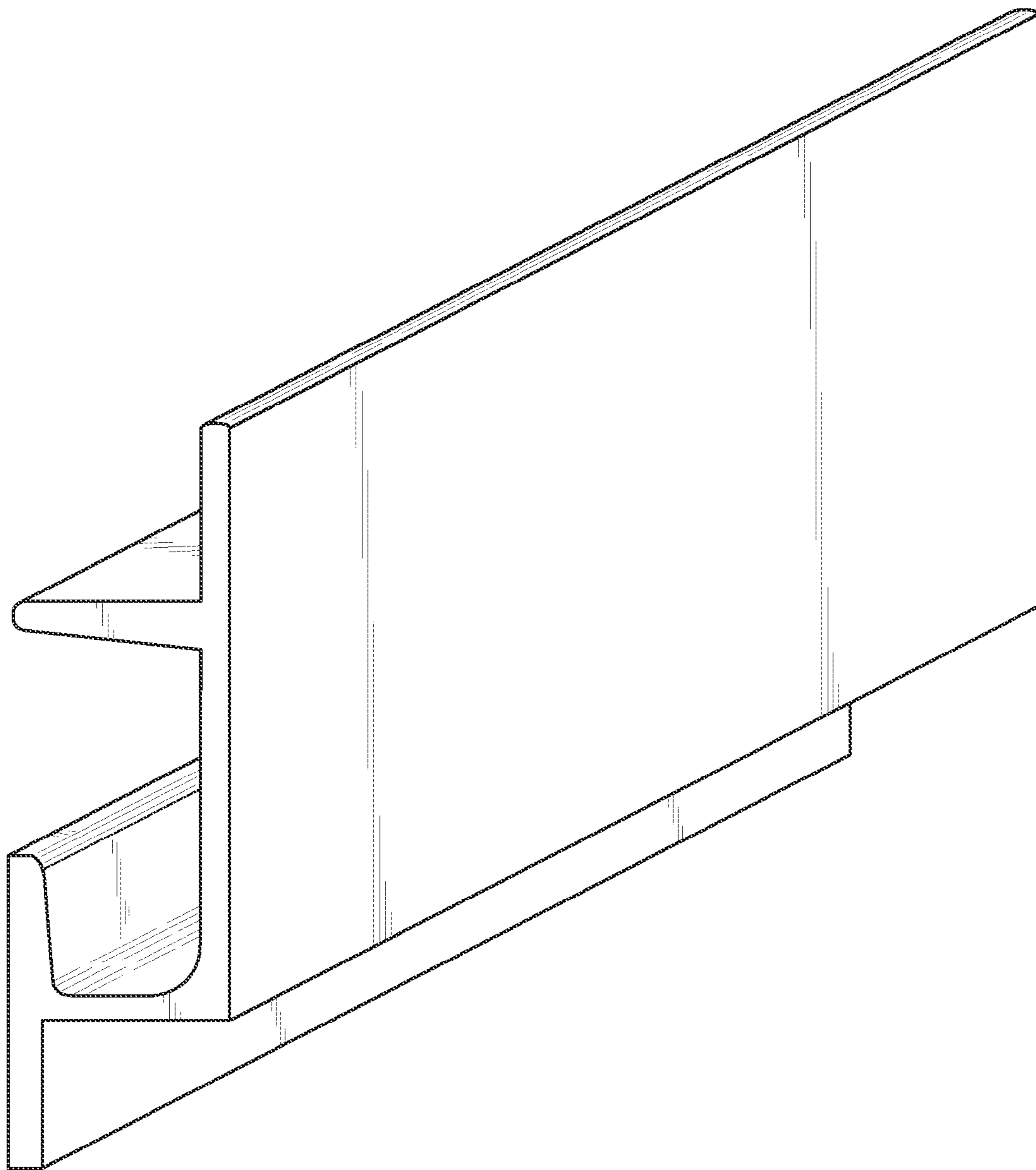


FIG. 1

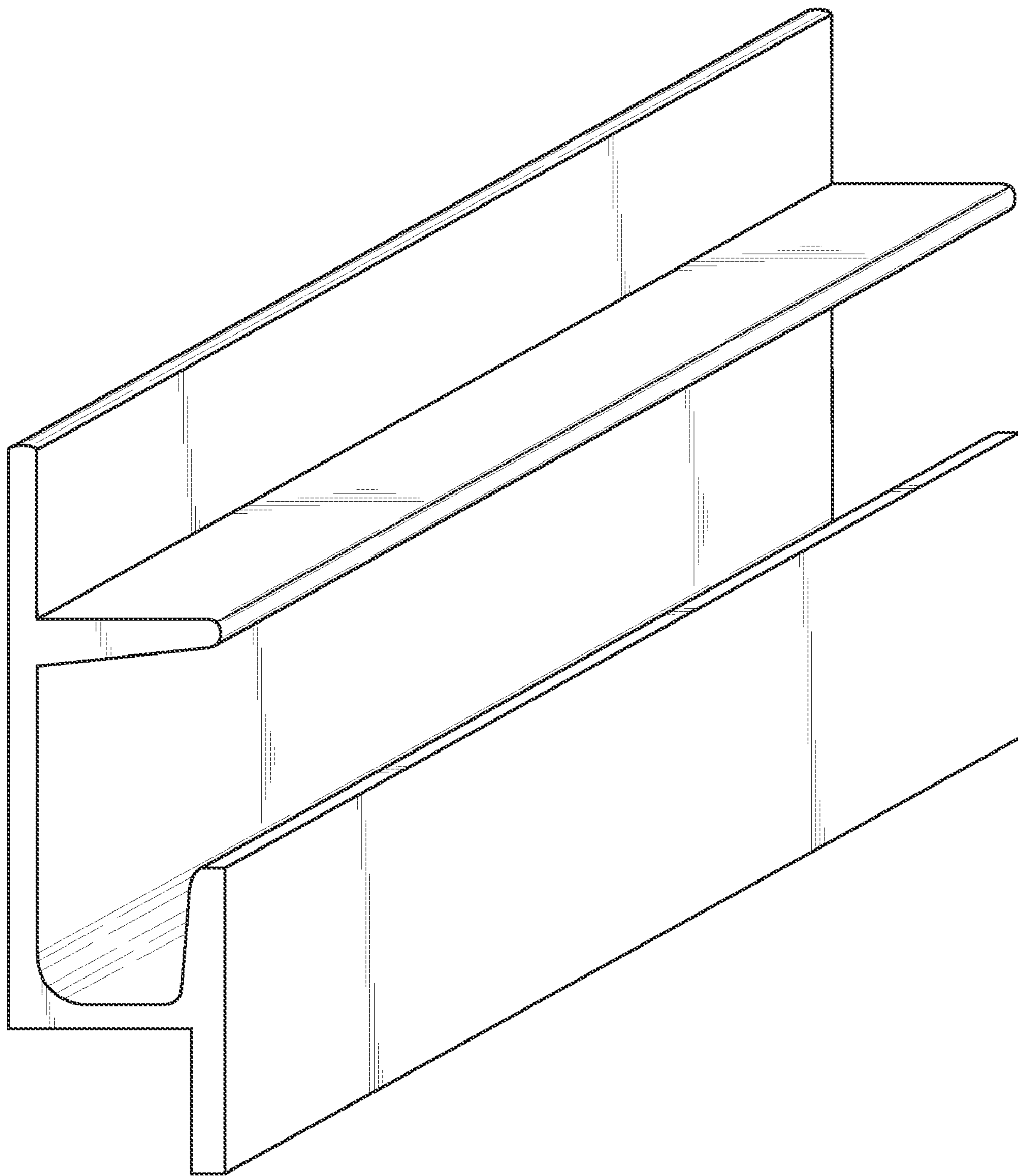


FIG. 2