



US00D553757S

(12) **United States Design Patent**  
**Moss et al.**

(10) **Patent No.:** **US D553,757 S**  
(45) **Date of Patent:** **\*\* Oct. 23, 2007**

(54) **LADDER HINGE PAIR**  
(75) Inventors: **N. Ryan Moss**, Mapleton, UT (US);  
**Jack W. Bowers**, Springville, UT (US)  
(73) Assignee: **Wing Enterprises, Inc.**, Springville,  
UT (US)  
(\*\*) Term: **14 Years**  
(21) Appl. No.: **29/253,759**  
(22) Filed: **Feb. 11, 2006**

4,597,687 A 7/1986 Colas  
4,656,721 A 4/1987 Werner  
4,697,305 A 10/1987 Boothe  
4,698,896 A 10/1987 Osterwald et al.  
4,773,503 A 9/1988 Purkapile  
4,890,950 A 1/1990 Yoo  
D309,502 S 7/1990 Wing et al.  
4,947,959 A 8/1990 Yuen  
4,967,879 A 11/1990 Klafs et al.  
4,974,701 A 12/1990 Parise  
5,002,153 A 3/1991 Yuen  
5,279,387 A 1/1994 Swiderski et al.  
5,353,892 A 10/1994 Lu

(51) **LOC (8) Cl.** ..... **25-04**  
(52) **U.S. Cl.** ..... **D25/68**  
(58) **Field of Classification Search** ..... 182/127,  
182/17, 15, 230, 21, 194, 130, 132, 152,  
182/156, 157, 161, 67.4, 180.1, 129, 22,  
182/163, 104, 196; D25/68; 16/231, 324,  
16/326

See application file for complete search history.

(56) **References Cited**

**U.S. PATENT DOCUMENTS**

453,193 A 6/1891 Kinser  
1,973,774 A 9/1934 Pflugradt  
2,144,440 A 1/1939 Gaffers  
2,186,119 A 1/1940 Moen  
3,002,582 A 10/1961 Marcelis  
3,318,413 A 5/1967 Werner et al.  
3,327,385 A 6/1967 Shaver  
3,692,143 A 9/1972 Kümmerlin et al.  
3,811,151 A 5/1974 Kuemmerlin  
3,849,834 A 11/1974 Mayer  
D248,777 S 8/1978 Spencer et al.  
RE30,020 E 6/1979 Spencer et al.  
4,182,431 A 1/1980 Wing  
4,210,224 A 7/1980 Kummerlin et al.  
4,371,055 A 2/1983 Ashton et al.  
4,376,470 A 3/1983 Ashton  
4,407,045 A 10/1983 Boothe  
4,474,264 A 10/1984 Krause  
4,540,306 A 9/1985 Wang  
4,566,150 A 1/1986 Boothe

(Continued)

**FOREIGN PATENT DOCUMENTS**

DE 195 39 157 A1 4/1997

(Continued)

**OTHER PUBLICATIONS**

PCT International Search Report dated Jul. 19, 2004 for International Application No. PCT/US 03/36043 (6 pages).

*Primary Examiner*—Doris Clark  
(74) *Attorney, Agent, or Firm*—TraskBritt

(57) **CLAIM**

The ornamental design for a ladder hinge pair, as shown and described.

**DESCRIPTION**

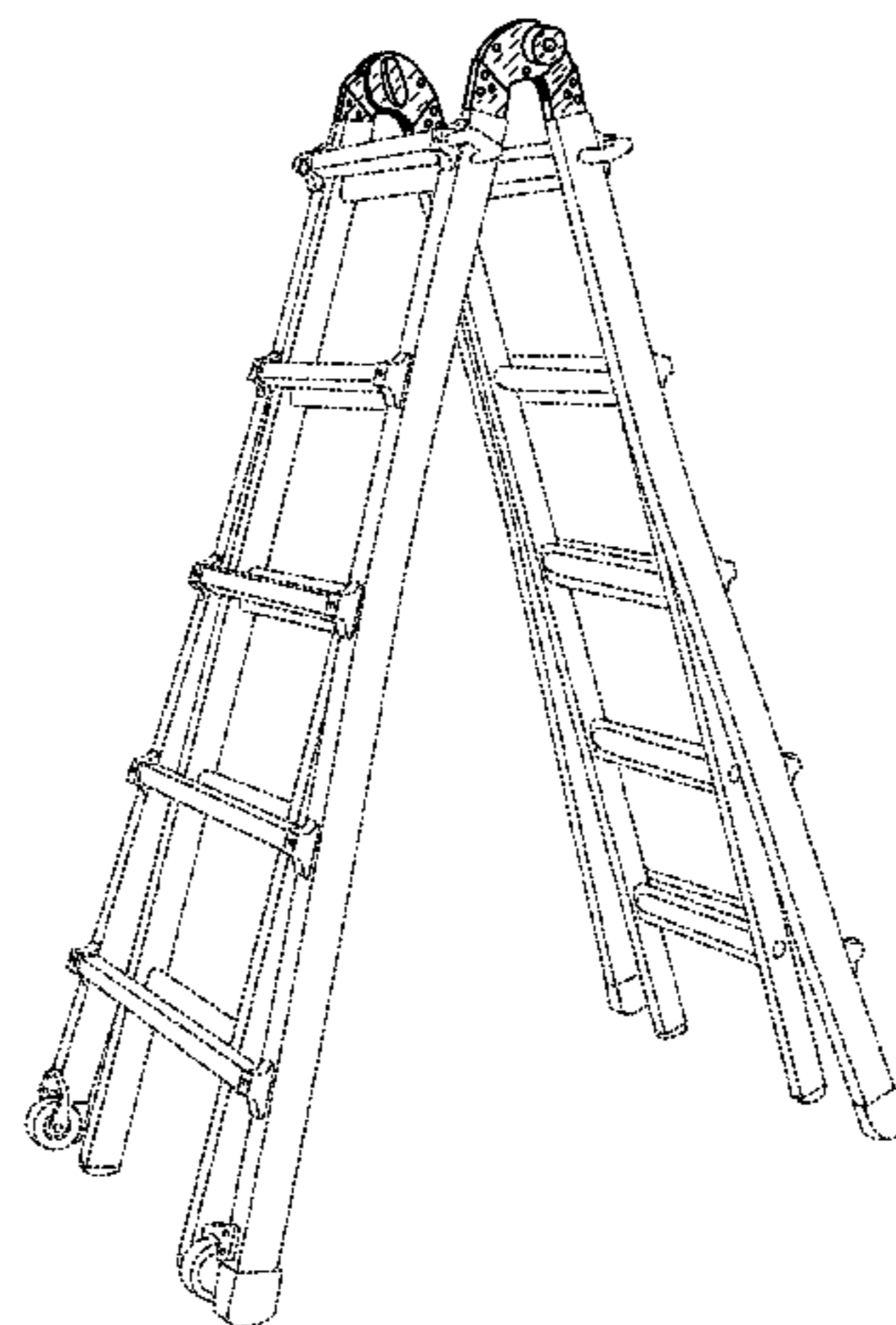
FIG. 1 is a perspective view of a ladder hinge pair as coupled to a portion of a ladder showing our new design;

FIG. 2 is a reversed perspective view of the ladder hinge pair shown in FIG. 1; and,

FIG. 3 is a reversed perspective view of the ladder hinge pair shown in FIG. 1 with the hinges in an extended position.

The broken lines showing a ladder is for illustrative purposes only and form no part of the claimed design.

**1 Claim, 2 Drawing Sheets**



# US D553,757 S

Page 2

## U.S. PATENT DOCUMENTS

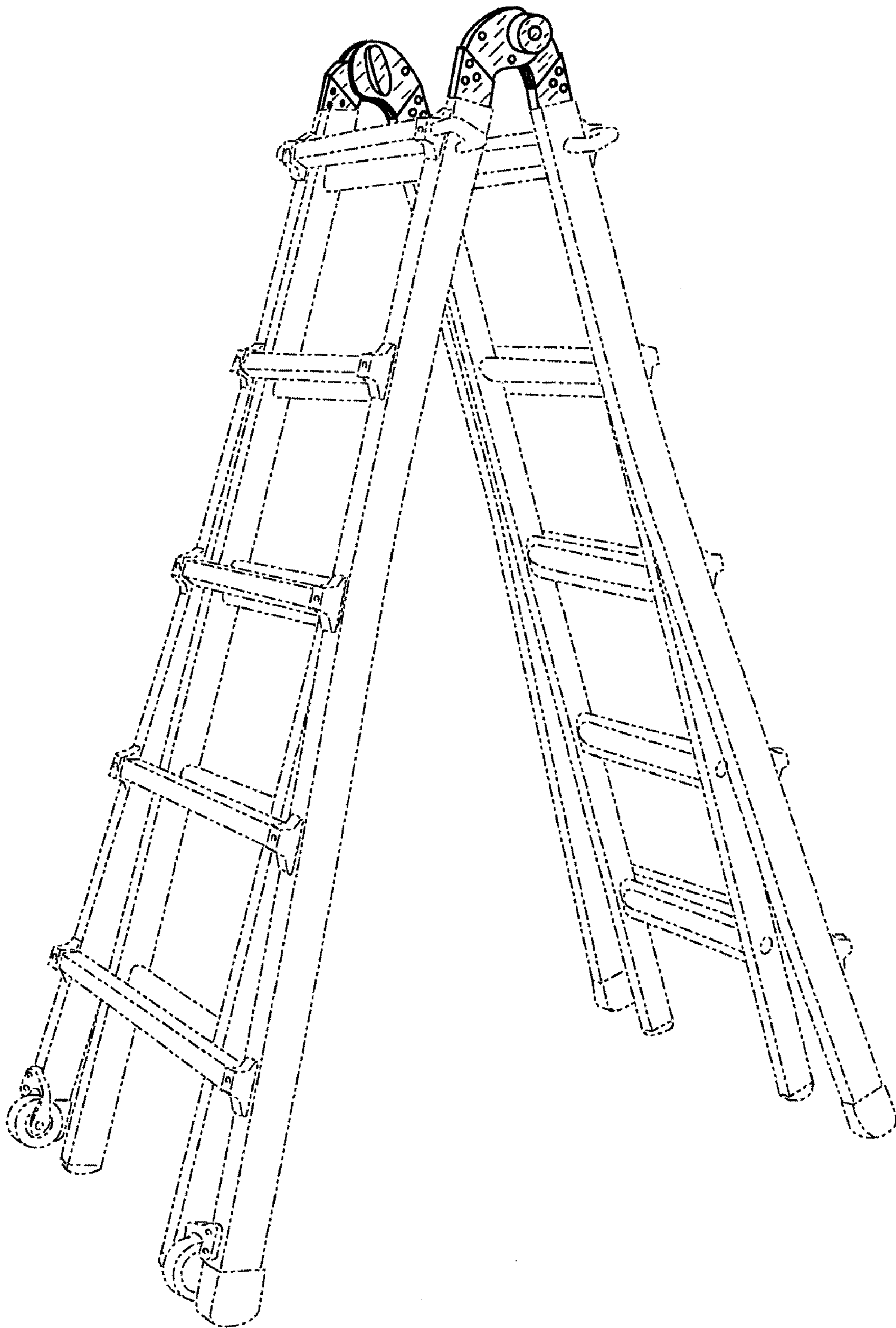
6,269,909 B1 8/2001 Grimes et al.  
6,298,605 B1 10/2001 Delefosse et al.  
6,343,406 B1 2/2002 Yeh  
D459,483 S \* 6/2002 Roy ..... D25/68  
6,533,882 B1 3/2003 Woodside  
6,866,117 B2 3/2005 Moss  
7,047,597 B2 5/2006 Lee  
2004/0140156 A1 7/2004 Moss et al.  
5,359,812 A 11/1994 Mayfield  
5,366,051 A 11/1994 Bartnicki et al.  
5,419,084 A 5/1995 Sankey et al.

D359,366 S \* 6/1995 Spevak ..... D25/68  
5,515,942 A 5/1996 Woodfield  
5,954,157 A 9/1999 Grimes et al.  
5,966,777 A 10/1999 Jantschek  
6,032,759 A 3/2000 Yeh  
6,141,909 A 11/2000 Hanson  
6,220,389 B1 4/2001 Krause

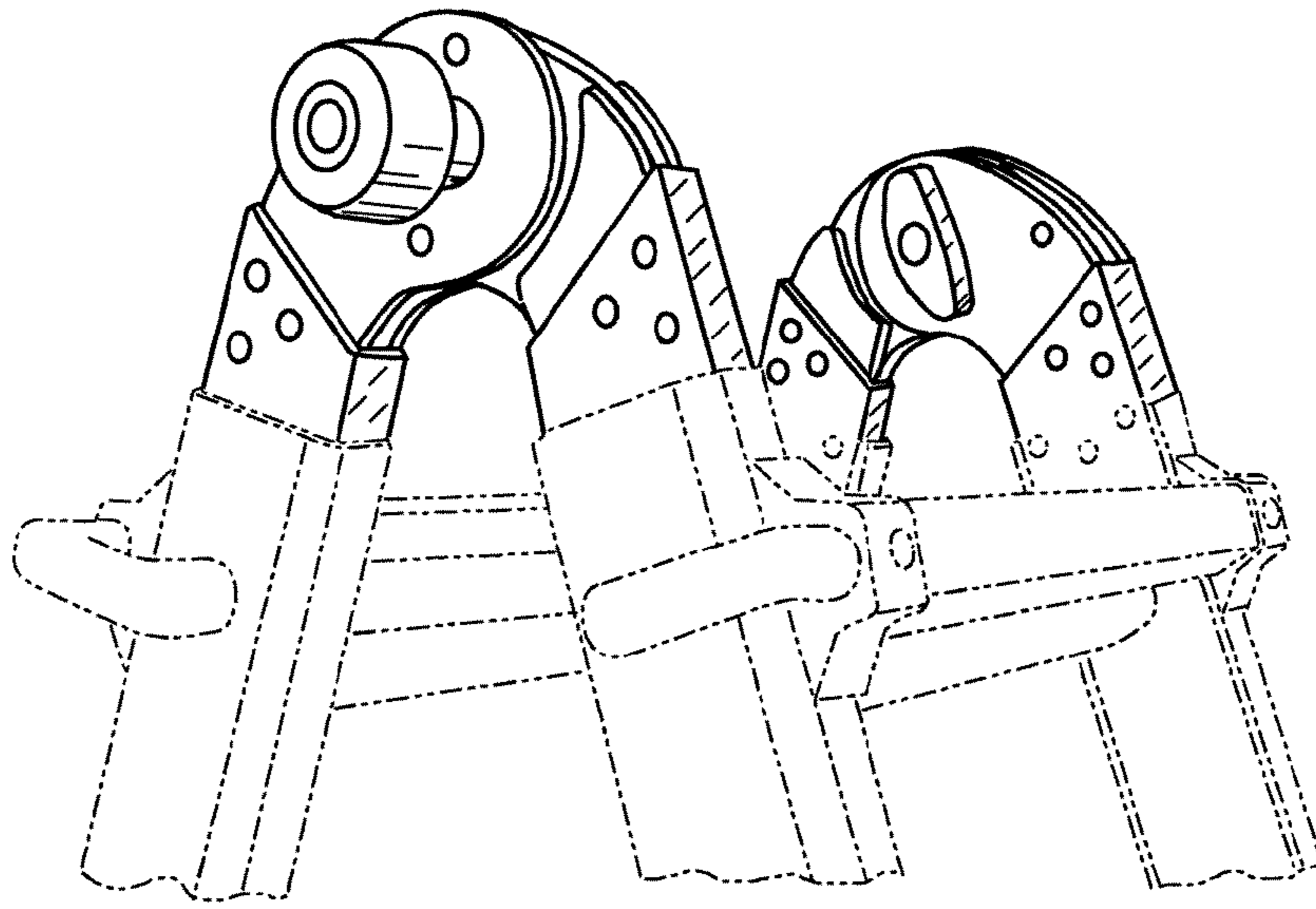
## FOREIGN PATENT DOCUMENTS

EP 0 324 885 A1 7/1989  
NL 1002235 8/1997

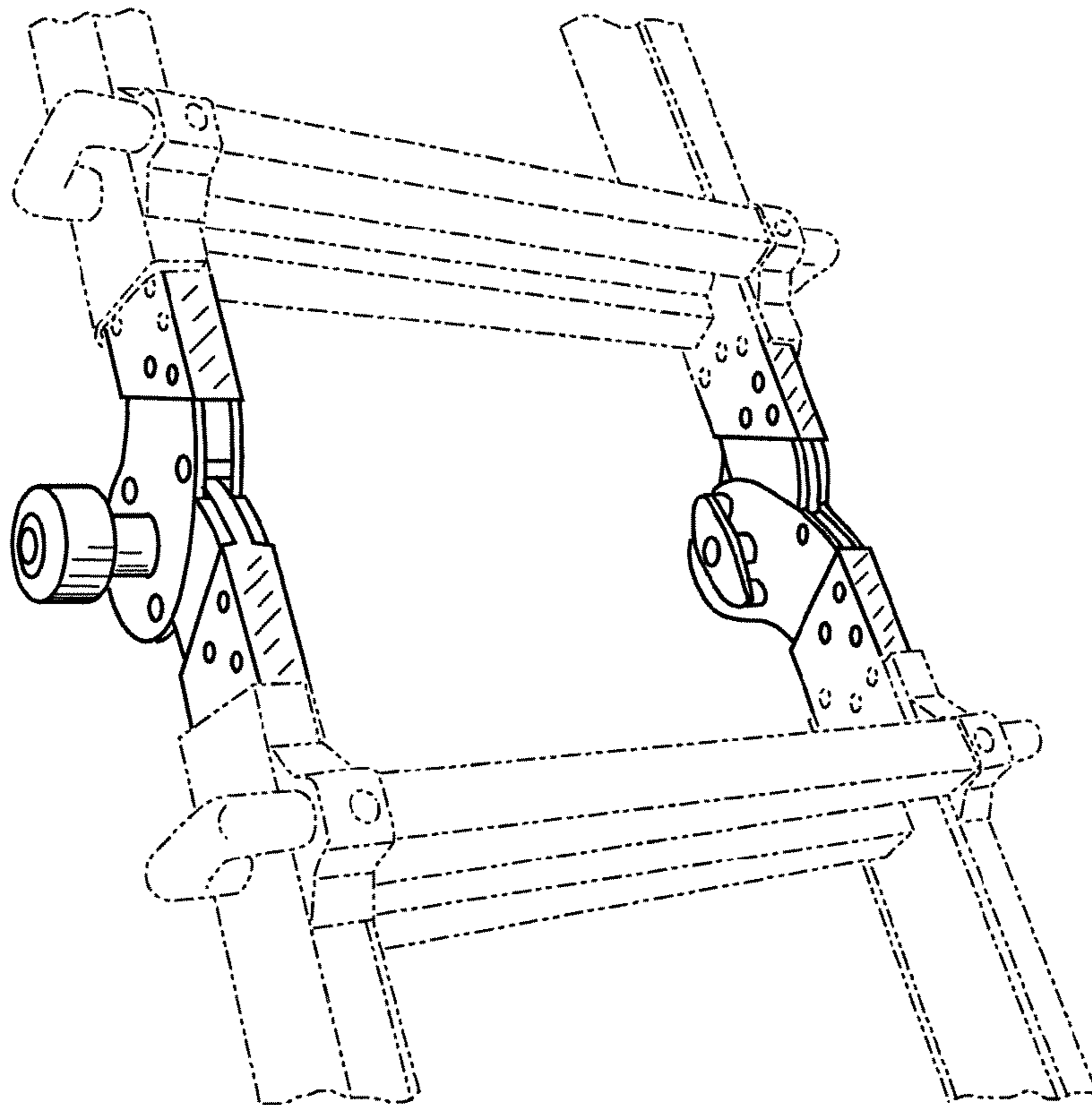
\* cited by examiner



**FIG. 1**



**FIG. 2**



**FIG. 3**