



US00D553756S

(12) **United States Design Patent** (10) **Patent No.:** **US D553,756 S**  
**Davina et al.** (45) **Date of Patent:** **\*\* Oct. 23, 2007**

(54) **DOOR**

(75) Inventors: **Glenn A. Davina**, Klamath Falls, OR (US); **James S. Hackett**, Klamath Falls, OR (US); **Rodney C. Harlin**, Klamath Falls, OR (US); **Daniel S. Malicki**, Klamath Falls, OR (US); **Craig R. Turner**, Klamath Falls, OR (US)

(73) Assignee: **Jeld-Wen, inc.**, Klamath Falls, OR (US)

(\*\*) Term: **14 Years**

(21) Appl. No.: **29/245,603**

(22) Filed: **Dec. 27, 2005**

(51) **LOC (8) Cl.** ..... **25-02**

(52) **U.S. Cl.** ..... **D25/48**

(58) **Field of Classification Search** ..... D25/48;  
49/504, 501, DIG. 2; D6/561; 312/109, 326;  
52/507, 314, 316, 455, 457, 458  
See application file for complete search history.

(56) **References Cited**

**U.S. PATENT DOCUMENTS**

619,676 A	2/1899	Cronin	
D132,040 S	4/1942	Cummings	
2,343,740 A	3/1944	Birmingham	
2,682,083 A	6/1954	Patton	
2,831,793 A	4/1958	Elmendorf	
D192,073 S	* 1/1962	Jackson	..... D25/48
3,098,781 A	7/1963	Greten	
3,121,263 A	2/1964	Binner	
3,212,948 A	10/1965	McMahon	

(Continued)

**FOREIGN PATENT DOCUMENTS**

CA	57271	10/1986
DE	3801486 A1	8/1989
EP	0 049 299 B1	4/1982
EP	0 225 629 B2	6/1987

**OTHER PUBLICATIONS**

Therma Tru Doors, Product Manual, Jun. 2005, pp. 3.1–6.20.  
Masonite Brand Door Facings –brochure, published in 1987.  
Elite Doors –brochure, apparently published in Oct. 1987.  
“The New Mission Series” product brochure by Nord, Part of the JELD–WEN family, 300 W. Marine View Drive, Everett, WA 98201–1030, in existence at least as of Oct. 29, 2002.  
Lloyd, William B., Millwork Principles and Practices, Manufacture–Distribution Use, Cahners Pub. Co., Inc., Chicago, IL © 1966, pp. 173 and 193 (FIGS. 100 & 103).  
1981 Sweet’s Catalog, Section 8–3/50, p. 7.  
Thera–Tru ® Doors brochure, pp. 117–120, 122, 124–130, © 2000.  
Simpson ® Door Co. Infinity Encore ® brochure, © 2001.  
Simpson ® Door Co. Infinity Doors brochure, © 2004.  
Simpson ® Door Co. Bungalow Series™ brochure, © 2004.  
Simpson ® Co. Mahogany Collection brochure, © 2004.  
Simpson ® Door Co. Simpson Custom Doors brochure, © 2004, pp. 4 and 7–20.  
Simpson ® Door Co. Doors of a Lifetime ® brochure, © 2004, pp. 10, 18, 22, 40 and 41.

*Primary Examiner*—Doris Clark  
(74) *Attorney, Agent, or Firm*—Nelson Mullins Riley & Scarborough LLP

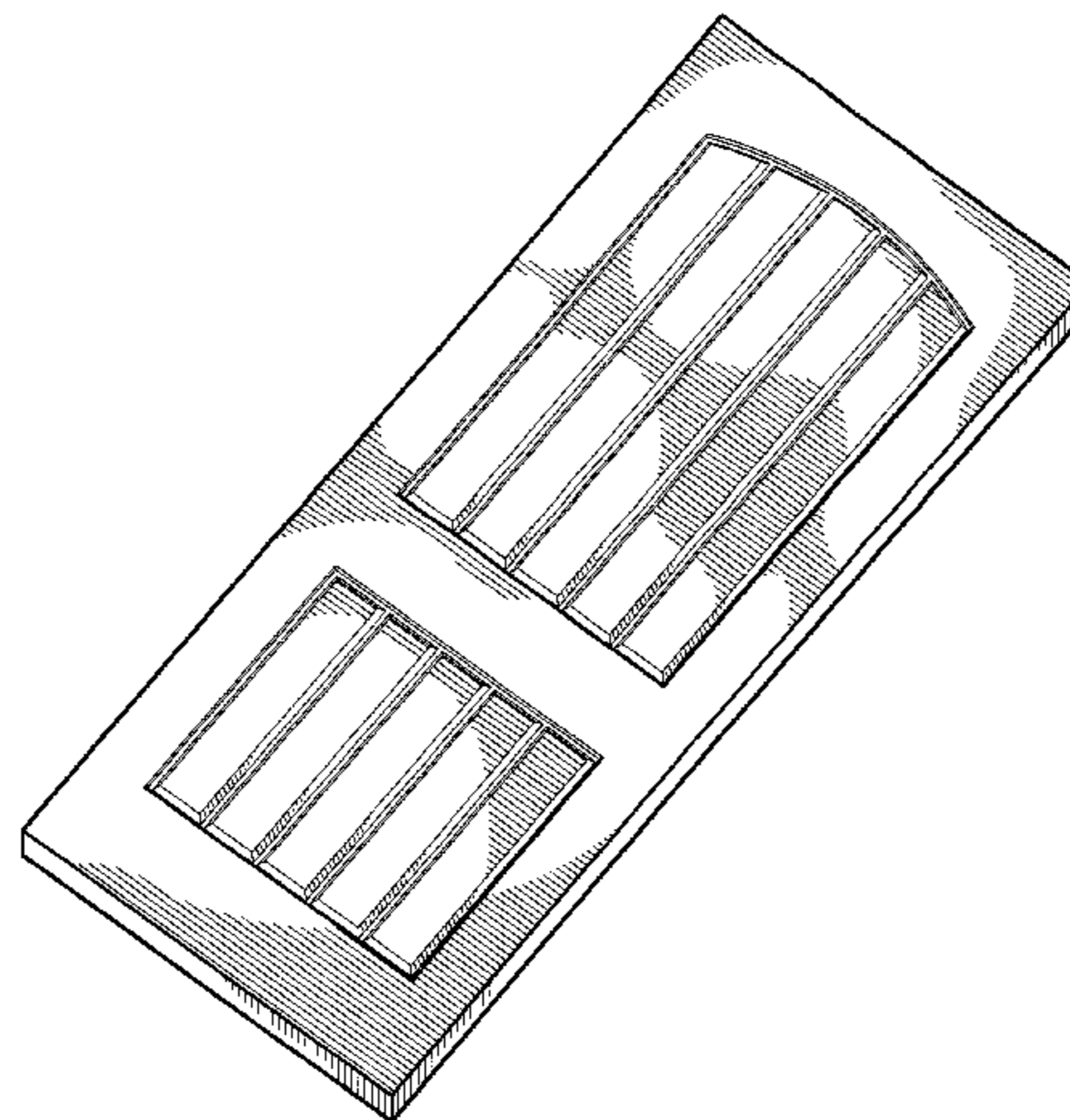
(57) **CLAIM**

The ornamental design for a door, as shown and described.

**DESCRIPTION**

FIG. 1 is a front perspective view of a door.  
FIG. 2 is a front elevational view thereof.  
FIG. 3 is an enlarged cross sectional view taken along line 3—3 of FIG. 2.  
FIG. 4 is an enlarged fragmented perspective view of the view in FIG. 3. The panel has been illustrated broken at varying locations for ease of illustration. The broken lines are for illustrative only and form no part of the claimed design.

**1 Claim, 4 Drawing Sheets**



# US D553,756 S

U.S. PATENT DOCUMENTS					
			5,074,092 A	12/1991	Norlander
			5,075,059 A	12/1991	Green
3,308,013 A	3/1967	Bryant	5,167,105 A	12/1992	Isban et al.
3,512,304 A	5/1970	Meuret	D335,982 S	6/1993	Brandon
3,533,190 A	10/1970	Hilfinger et al.	5,219,634 A	6/1993	Aufderhaar
3,546,841 A	12/1970	Smtith et al.	D338,718 S	8/1993	Izzo
D222,775 S	12/1971	Sartori	5,239,799 A	8/1993	Bies et al.
3,639,200 A	2/1972	Elmendorf	5,293,726 A	3/1994	Schick
3,796,856 A	3/1974	Hanlon et al.	D349,352 S	8/1994	Csati
3,987,599 A	10/1976	Hines	5,355,654 A	10/1994	Stanley
D244,736 S	6/1977	Palka	5,369,869 A	12/1994	Bies et al.
D245,263 S	8/1977	Andresen	5,401,556 A	3/1995	Ishitoya et al.
D245,824 S	9/1977	Palka	5,443,891 A	8/1995	Bach
D257,393 S	10/1980	Hull et al.	5,470,631 A	11/1995	Lindquist et al.
4,236,365 A	12/1980	Wheeler	D366,939 S	2/1996	Schafernak
4,246,310 A	1/1981	Hunt et al.	D367,121 S	2/1996	Schafernak
4,248,163 A	2/1981	Caughey et al.	D370,269 S	* 5/1996	Schafernak ..... D25/48
4,277,428 A	7/1981	Luck et al.	D371,852 S	7/1996	Schafernak
D266,042 S	9/1982	Moore et al.	D372,103 S	7/1996	Schooling
D266,720 S	11/1982	Moore et al.	5,543,234 A	8/1996	Lynch et al.
4,361,612 A	11/1982	Shaner et al.	D380,053 S	6/1997	Forsland
4,364,984 A	12/1982	Wentworth	D382,350 S	8/1997	Lynch
4,441,296 A	4/1984	Grabendike et al.	D388,196 S	12/1997	Schafernak et al.
D274,107 S	6/1984	Gordon	5,766,774 A	6/1998	Lynch et al.
D274,944 S	7/1984	Coppa	5,852,910 A	12/1998	Zebedee
4,503,115 A	3/1985	Hemels et al.	D411,022 S	6/1999	Schafernak et al.
4,552,797 A	11/1985	Munk et al.	5,918,434 A	7/1999	Ballantyne et al.
D282,426 S	2/1986	Heimberger et al.	D422,088 S	3/2000	Mishina
4,579,613 A	4/1986	Belanger	D426,645 S	6/2000	Bonomo et al.
4,610,900 A	9/1986	Nishibori	6,170,224 B1	1/2001	Boyse et al.
4,610,913 A	9/1986	Barnes	6,200,687 B1	3/2001	Smith et al.
D286,177 S	10/1986	Case et al.	D460,196 S	7/2002	Ben-Ezra
4,622,190 A	11/1986	Schultz	6,485,800 B1	11/2002	Liittschwager et al.
D288,489 S	* 2/1987	Tofani ..... D25/48	D468,027 S	12/2002	Jimenez et al.
4,720,363 A	1/1988	Mayumi et al.	D472,330 S	3/2003	Marshall
4,811,538 A	3/1989	Lehnert et al.	6,615,558 B2	9/2003	Libby et al.
4,830,929 A	5/1989	Ikeda et al.	D501,565 S	2/2005	Malicki et al.
4,853,062 A	8/1989	Gartland	D501,931 S	2/2005	Davina et al.
4,876,838 A	* 10/1989	Hagemeyer ..... 52/455	6,899,835 B2	5/2005	Liittschwager et al.
D304,983 S	12/1989	Palka	D517,219 S	3/2006	Davina et al.
4,908,990 A	3/1990	Yoon et al.	7,022,414 B2	4/2006	Davina et al.
4,942,084 A	7/1990	Prince	D528,666 S	* 9/2006	Walsh et al. .... D25/48
D314,242 S	1/1991	Mikolaitis	D528,670 S	9/2006	Davina et al.
D314,625 S	2/1991	Hall	2005/0266222 A1	12/2005	Clark et al.
5,016,414 A	5/1991	Wang			
D319,884 S	9/1991	Hall			
5,074,087 A	12/1991	Green			

\* cited by examiner



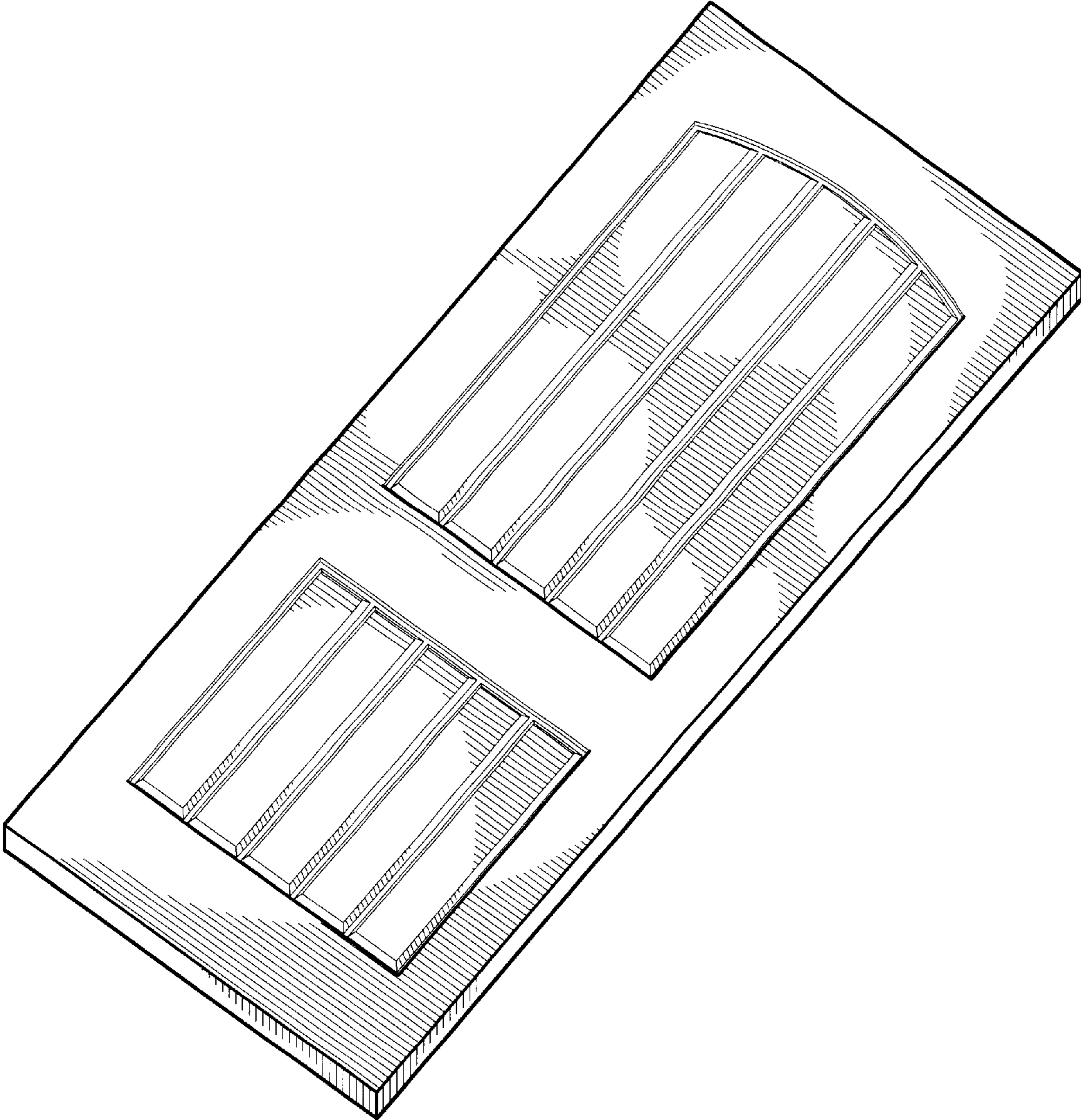


FIG. 1

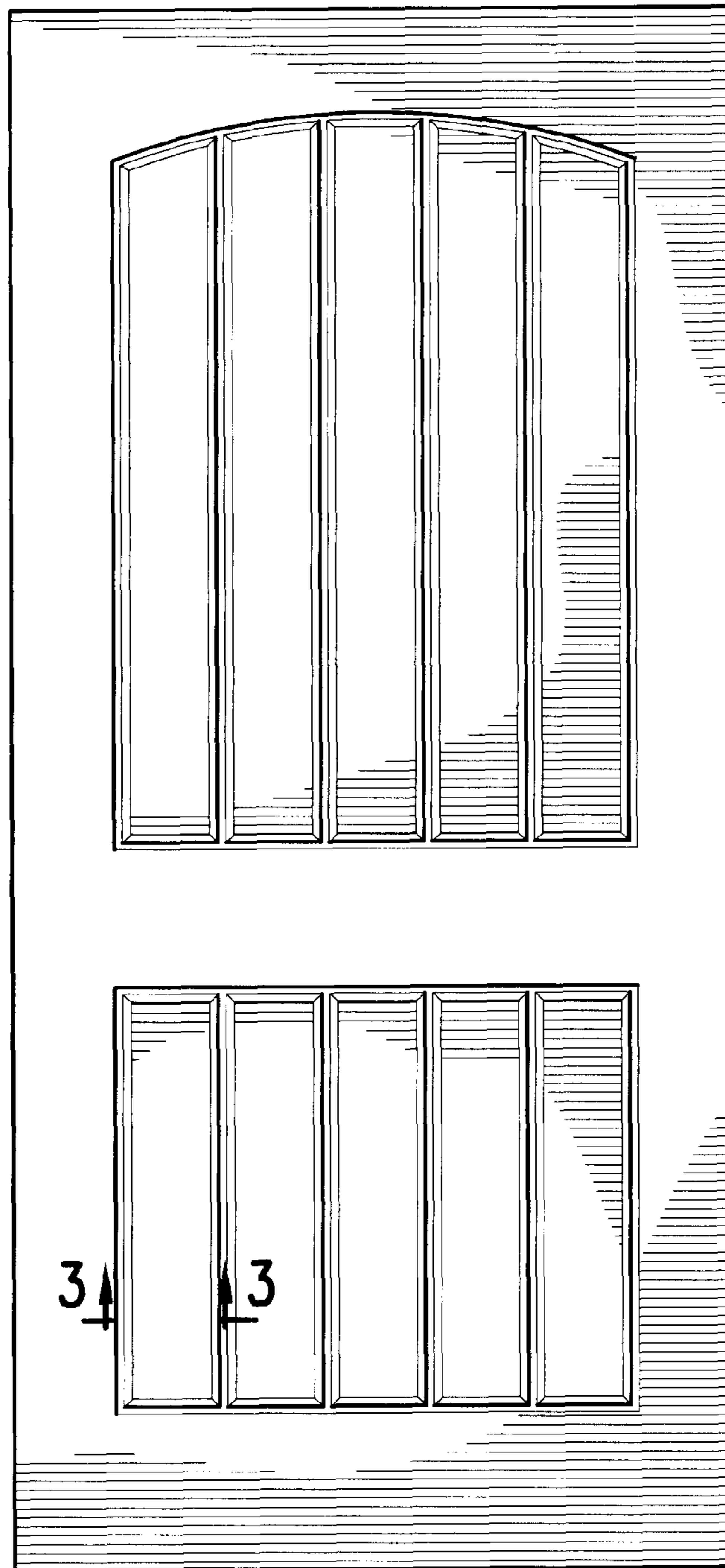


FIG. 2

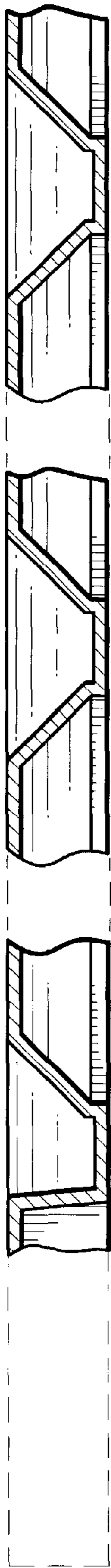


FIG. 3

