

US00D553752S

(12) **United States Design Patent**  
**Mueller et al.**

(10) **Patent No.:** **US D553,752 S**  
(45) **Date of Patent:** **\*\* Oct. 23, 2007**

- (54) **PAIR OF LIGHT ABSORBING STRIPS**
- (75) Inventors: **Curtis F. Mueller**, Prairie du Sac, WI (US); **Mary Ann Stoikes**, Sauk City, WI (US)
- (73) Assignee: **Mueller Sports Medicine, Inc.**, Prairie du Sac, WI (US)
- (\*\*) Term: **14 Years**
- (21) Appl. No.: **29/198,903**
- (22) Filed: **Feb. 6, 2004**
- (51) **LOC (8) Cl.** ..... **24-04**
- (52) **U.S. Cl.** ..... **D24/189**
- (58) **Field of Classification Search** ..... D24/189, D24/134, 135, 128; D20/11, 23, 24, 26, 36; D29/105, 106; D5/63; D28/99; 602/41-43; 40/359, 360, 638  
See application file for complete search history.

- 3,898,357 A 8/1975 Miller et al.
- 4,060,643 A 11/1977 Blanks
- 4,105,483 A 8/1978 Lin
- 4,115,602 A 9/1978 Bullard
- 4,122,847 A 10/1978 Craig
- 4,162,542 A 7/1979 Frank
- 4,169,169 A 9/1979 Kitabatake
- 4,175,151 A 11/1979 Eppich et al.
- 4,285,338 A 8/1981 Lemelson
- 4,331,136 A 5/1982 Russell et al.
- 4,522,864 A 6/1985 Humason et al.
- 4,570,626 A 2/1986 Norris et al.
- 4,594,276 A 6/1986 Relyea
- 4,674,133 A 6/1987 Oschmer
- 4,719,909 A 1/1988 Micchia et al.
- 4,745,916 A 5/1988 Seber
- 4,783,350 A 11/1988 DeMatteo et al.

(Continued)

*Primary Examiner*—Louis S. Zarfaz  
*Assistant Examiner*—Daniel Yu  
(74) *Attorney, Agent, or Firm*—Rick L. Abegglen

(56) **References Cited**  
U.S. PATENT DOCUMENTS

- 1,275,127 A 7/1918 Campbell
- 1,532,238 A 4/1925 Farrell
- 1,528,282 A 11/1925 White
- 1,627,407 A 5/1927 Reese
- 1,761,664 A 6/1930 Harris
- 1,803,836 A 5/1931 Bihr
- 1,811,804 A 6/1931 Poschel
- 1,850,540 A 3/1932 Erickson
- 2,033,139 A 3/1936 Jefferis
- 2,234,657 A 3/1941 Smaldore
- 2,239,040 A 4/1941 Holmes
- 2,283,752 A 5/1942 Gonsett
- 2,578,150 A 12/1951 Rathke
- 2,842,142 A 7/1958 Peck
- 2,851,805 A 9/1958 Allen
- 2,896,615 A 7/1959 Szigeti
- 2,941,916 A 6/1960 Akkeron
- 3,068,863 A 12/1962 Bowman
- 3,594,813 A 7/1971 Sanderson
- 3,681,186 A 8/1972 Findlay et al.

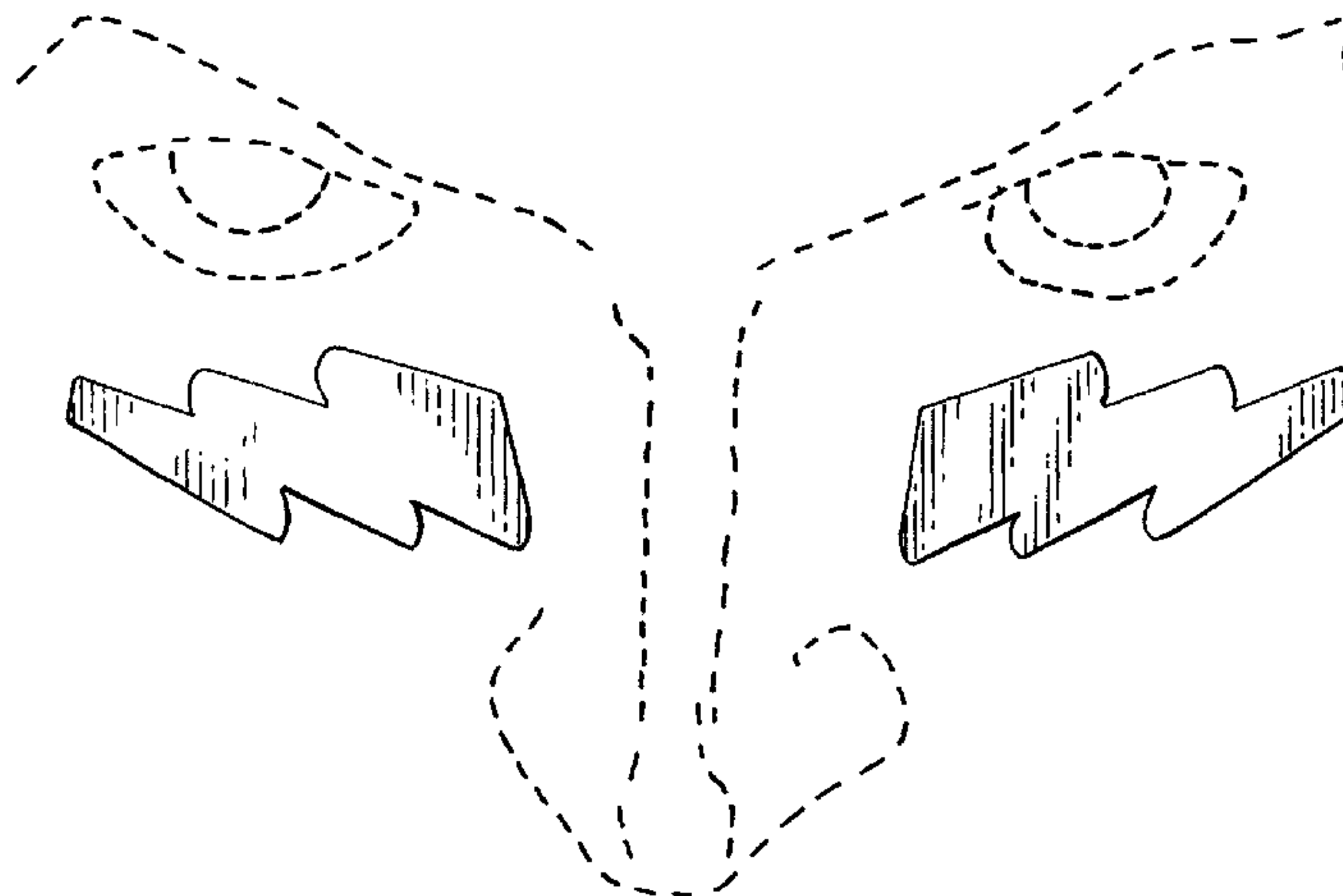
(57) **CLAIM**

We claim the ornamental design for a pair of light absorbing strips, as shown and described.

**DESCRIPTION**

FIG. 1 is a perspective view of pair of light absorbing strips showing my new design;  
FIG. 2 is a front plan view thereof;  
FIG. 3 is a bottom view thereof;  
FIG. 4 is a side view thereof taken from the left side of FIG. 2;  
FIG. 5 is a side view thereof taken from the right side of FIG. 2;  
FIG. 6 is a top view thereof; and,  
FIG. 7 is a back plan view.  
The ornamental design which is claimed is shown in solid lines in the drawings. The broken lines in the drawings are for illustrative purposes only and form no part of the claimed design.

**1 Claim, 1 Drawing Sheet**



# US D553,752 S

Page 2

U.S. PATENT DOCUMENTS					
4,936,325	A	6/1990 Davis	D402,413	S	12/1998 Mibus et al.
4,957,124	A	9/1990 Mooney	D402,417	S	12/1998 Mibus et al.
4,979,811	A	12/1990 Boyer	5,842,469	A	12/1998 Rapp et al.
5,052,418	A	10/1991 Miller	5,890,486	A	4/1999 Mitra et al.
5,186,190	A	2/1993 Hirzel	5,918,600	A	7/1999 Durette
D355,489	S	2/1995 Almond	5,939,142	A	8/1999 Comiskey et al.
5,487,394	A	1/1996 Shiu et al.	5,957,126	A	9/1999 Neeser
5,533,499	A	7/1996 Johnson	5,980,497	A	11/1999 Yavitz
5,533,503	A	7/1996 Doubek et al.	D421,124	S	2/2000 Yavitz
D376,850	S	12/1996 Dunshee et al.	D423,712	S	4/2000 Aoki et al.
D377,688	S	* 1/1997 Dunshee et al. .... D24/189	D427,370	S	6/2000 Kalafsky et al.
5,592,687	A	1/1997 Lajeunesse	D429,817	S	8/2000 Banks
5,609,150	A	3/1997 Maged	6,096,154	A	8/2000 Comiskey et al.
5,653,224	A	8/1997 Johnson	6,131,208	A	10/2000 Banks
5,682,607	A	11/1997 Klein	D434,524	S	11/2000 Kalafsky et al.
5,706,800	A	1/1998 Cronk et al.	D441,081	S	4/2001 Mueller
5,711,026	A	1/1998 Kaltman et al.	6,238,362	B1	5/2001 Bracht
5,718,224	A	2/1998 Muchin	D444,561	S	7/2001 Stein
5,752,524	A	5/1998 Corcoran	6,299,605	B1	10/2001 Ishida
5,769,089	A	6/1998 Hand et al.	6,320,094	B1	11/2001 Arnold et al.
5,806,525	A	9/1998 Pope, Jr.	6,350,338	B1	2/2002 Comiskey et al.
5,816,269	A	10/1998 Mohammed	6,455,752	B1	* 9/2002 Vesey ..... 602/41

\* cited by examiner

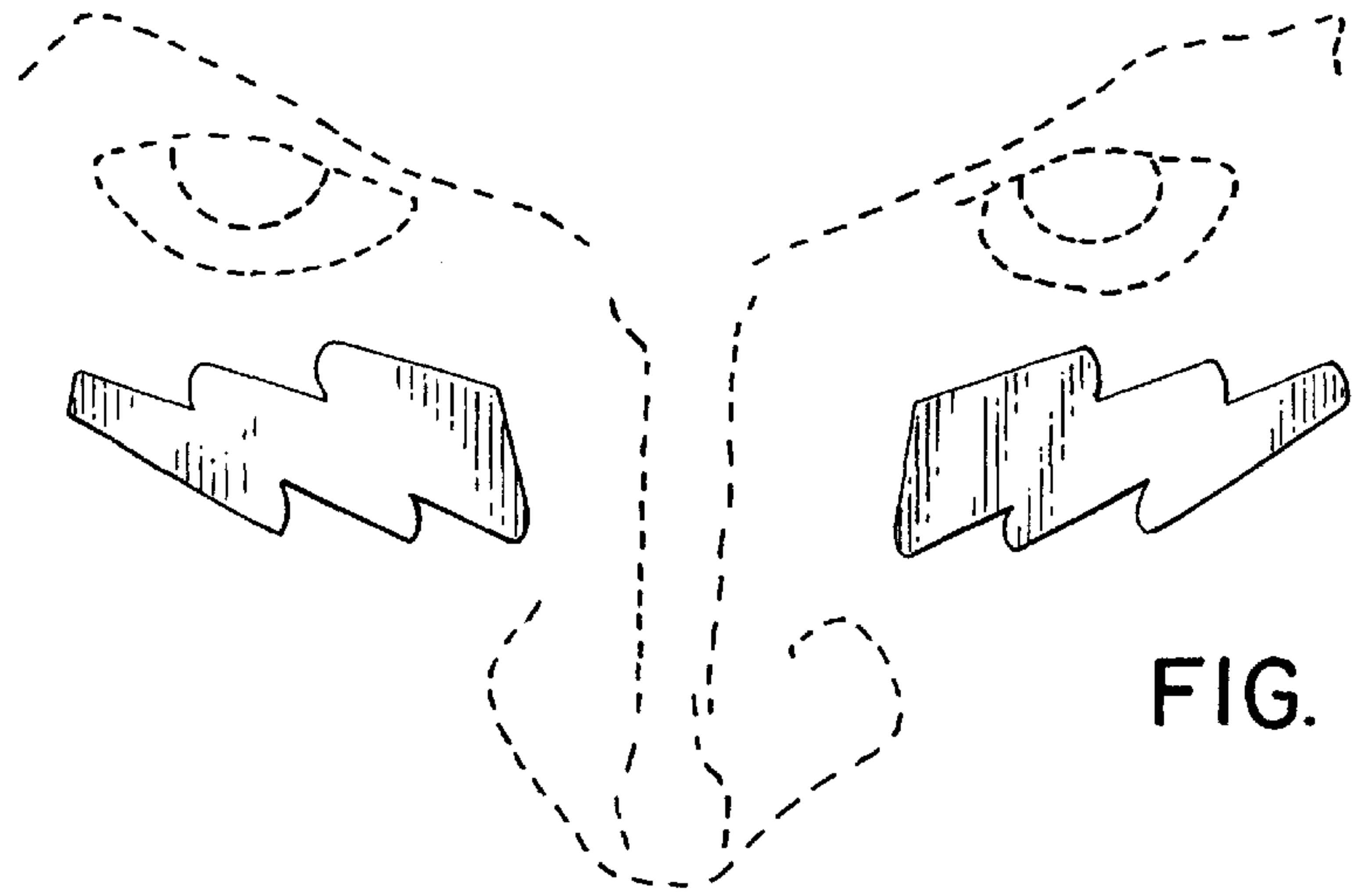


FIG. 1

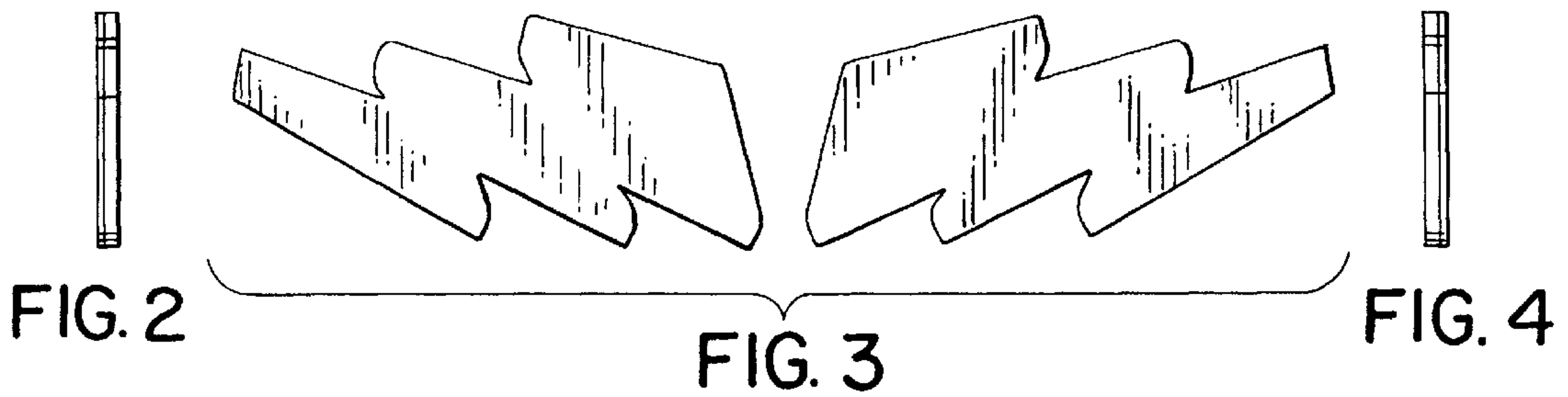


FIG. 2

FIG. 3

FIG. 4



FIG. 5



FIG. 6

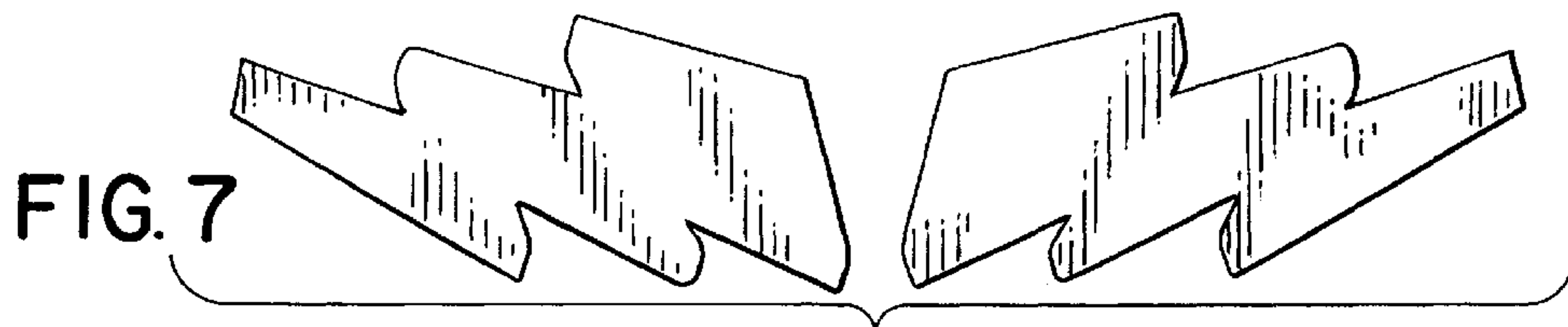


FIG. 7