



US00D553750S

(12) **United States Design Patent**  
**Yamaoka**

(10) **Patent No.:** **US D553,750 S**

(45) **Date of Patent:** **\*\* Oct. 23, 2007**

(54) **CONTROLLER FOR OPHTHALMIC INSTRUMENT**

(75) Inventor: **Masashi Yamaoka**, Itabashi-ku (JP)

(73) Assignee: **Kabushiki Kaisha Topcon**, Tokyo (JP)

(\*\*) Term: **14 Years**

(21) Appl. No.: **29/257,773**

(22) Filed: **Apr. 11, 2006**

(51) **LOC (8) Cl.** ..... **24-01**

(52) **U.S. Cl.** ..... **D24/172**

(58) **Field of Classification Search** ..... D24/172,  
D24/185, 186; 351/200, 205, 209–212, 216,  
351/245, 239–242; 600/398–400, 402; D14/126,  
D14/371, 374, 382, 388; D13/162–164  
See application file for complete search history.

(56) **References Cited**

U.S. PATENT DOCUMENTS

- D381,325 S \* 7/1997 McMahan et al. .... D14/388
- D387,168 S \* 12/1997 Edelman et al. .... D24/186
- D390,663 S \* 2/1998 Wolf et al. .... D24/172
- D394,904 S \* 6/1998 Hayashi ..... D24/172
- D427,156 S \* 6/2000 Arnold et al. .... D13/162
- D477,084 S \* 7/2003 Menezes et al. .... D24/172
- D503,402 S \* 3/2005 Su et al. .... D14/388

D512,508 S \* 12/2005 Mesaros ..... D24/185

\* cited by examiner

*Primary Examiner*—Louis S. Zarfes

*Assistant Examiner*—Anhdao Doan

(74) *Attorney, Agent, or Firm*—Jacobson Holman PLLC

(57) **CLAIM**

The ornamental design for a controller for ophthalmic instrument, as shown and described.

**DESCRIPTION**

FIG. 1 is a front perspective view of a controller for ophthalmic instrument;

FIG. 2 is a front view of the controller for ophthalmic instrument as shown in FIG. 1;

FIG. 3 is a rear view of the controller for ophthalmic instrument as shown in FIG. 1;

FIG. 4 is a left side view of the controller for ophthalmic instrument as shown in FIG. 1;

FIG. 5 is a right side view of the controller for ophthalmic instrument as shown in FIG. 1;

FIG. 6 is a top view of the controller for ophthalmic instrument as shown in the FIG. 1; and,

FIG. 7 is a bottom view of the controller for ophthalmic instrument as shown in FIG. 1.

**1 Claim, 4 Drawing Sheets**



FIG. 1

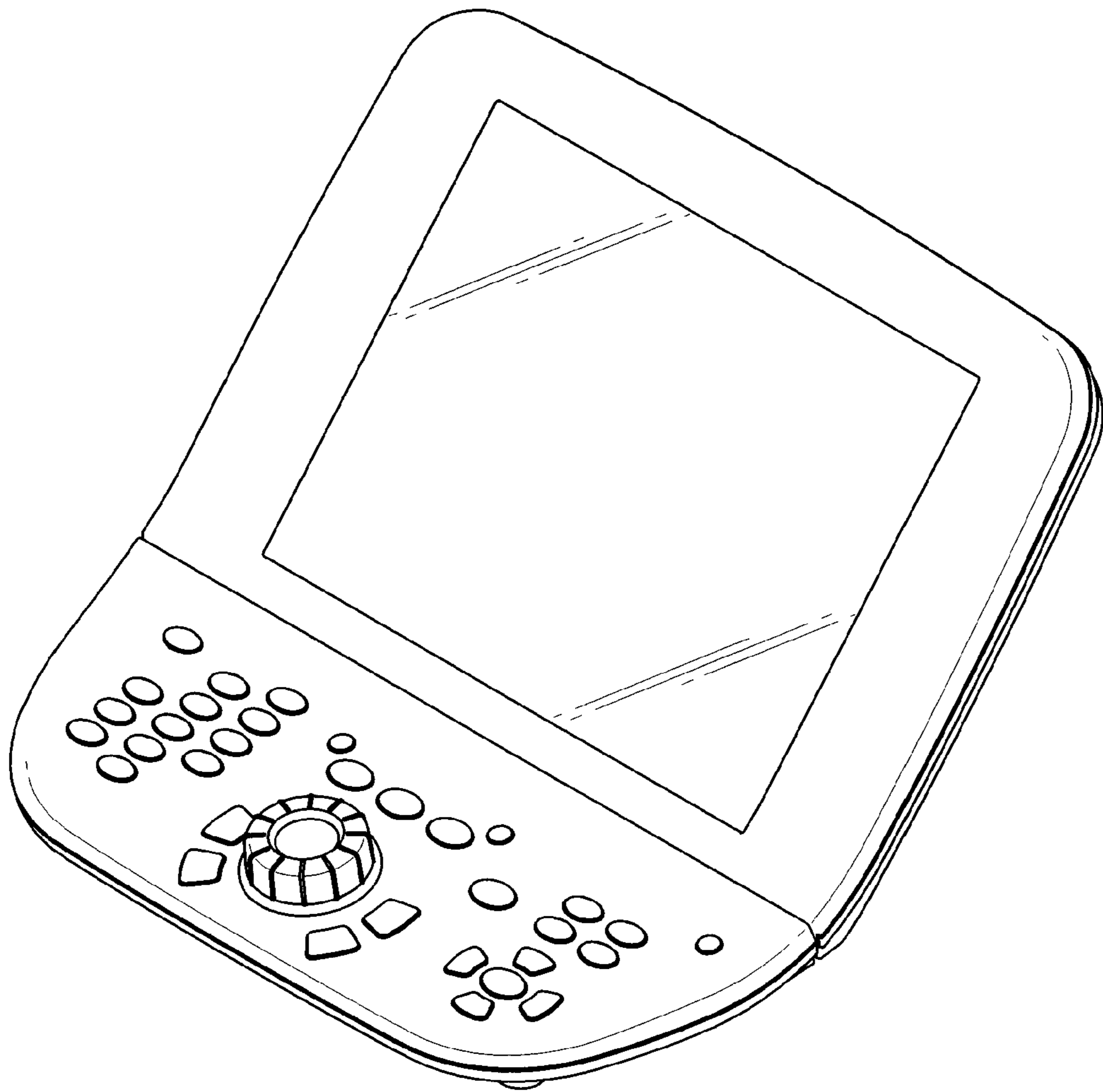


FIG.2

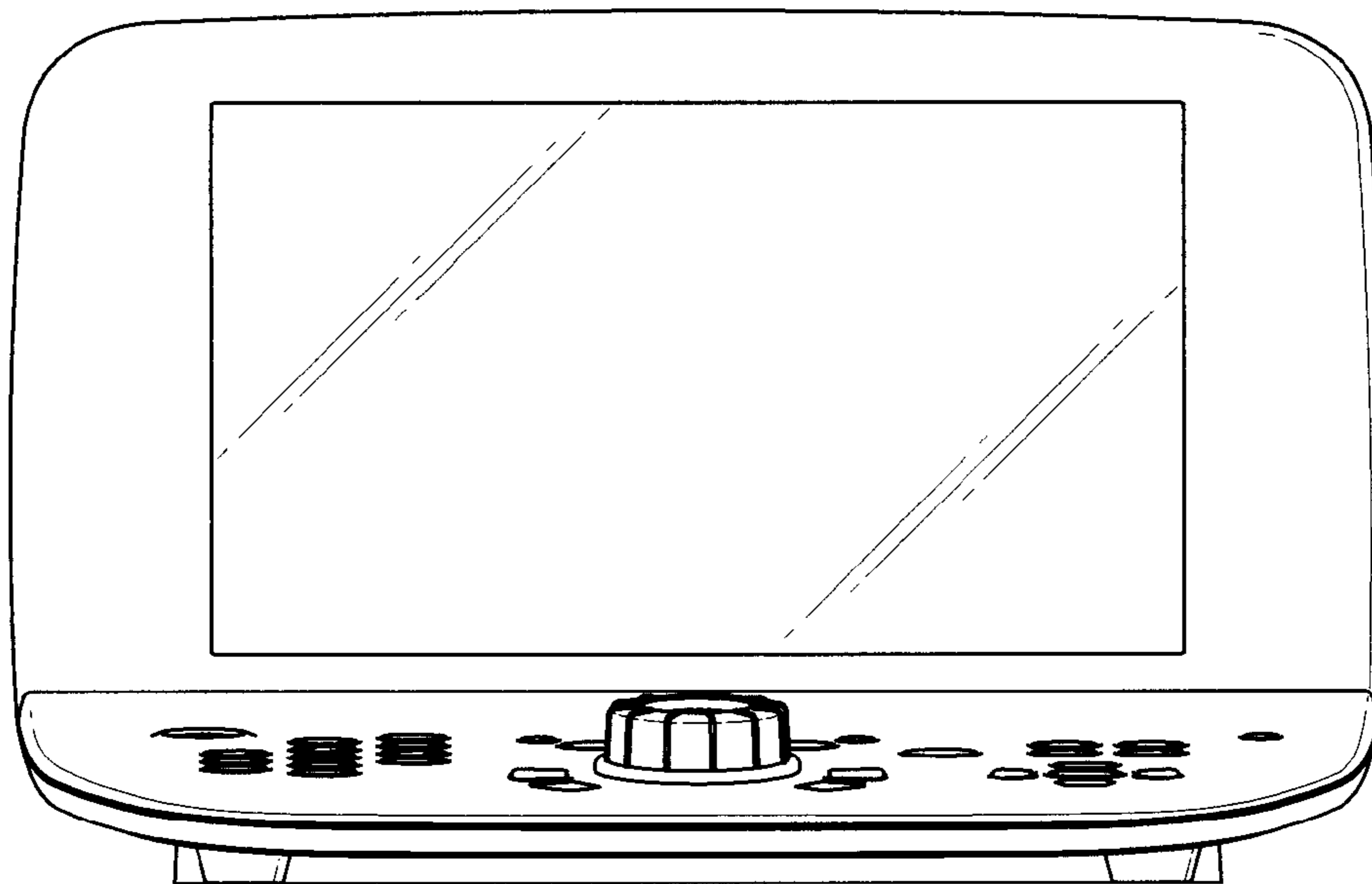


FIG.3

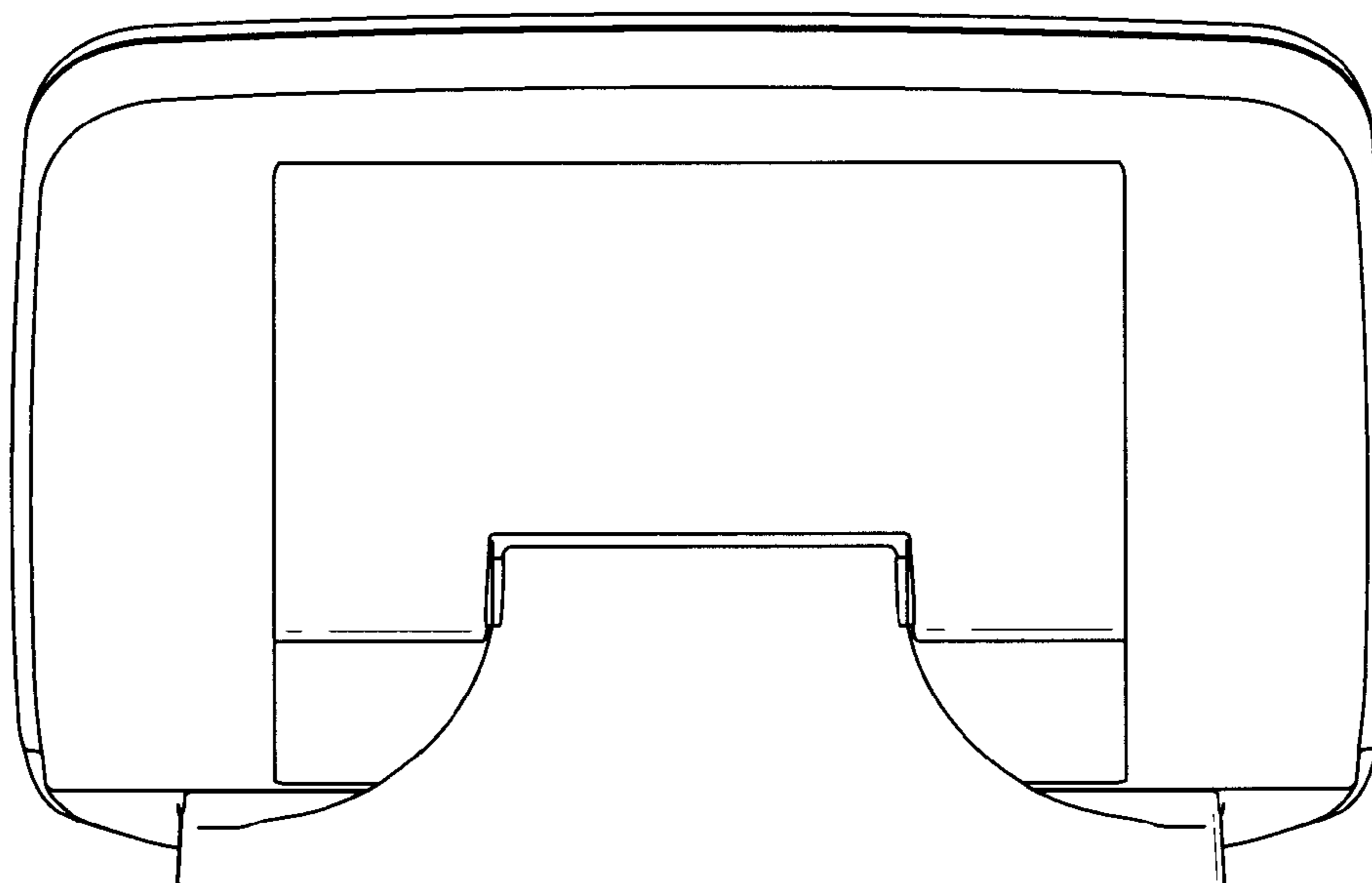


FIG.4

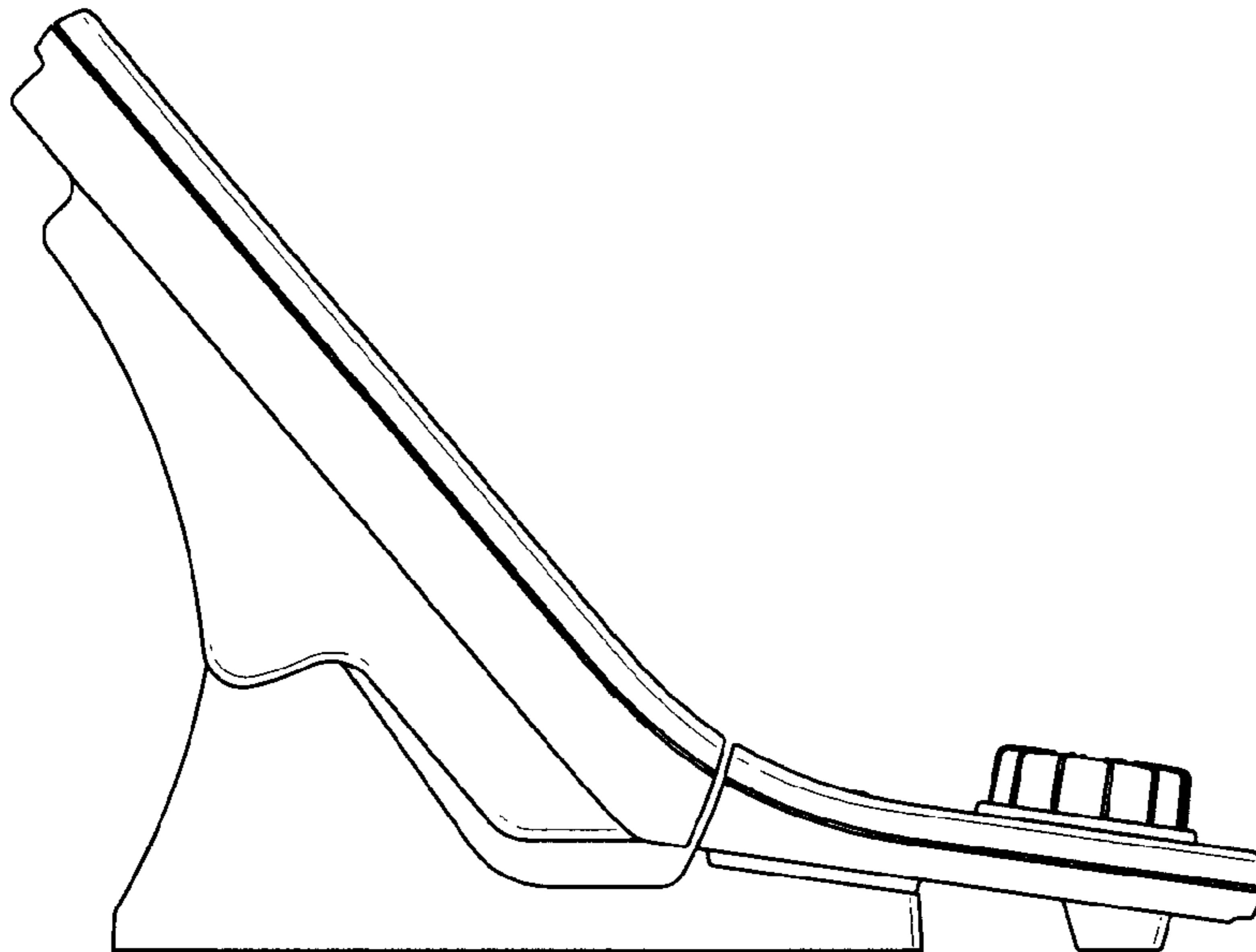


FIG.5

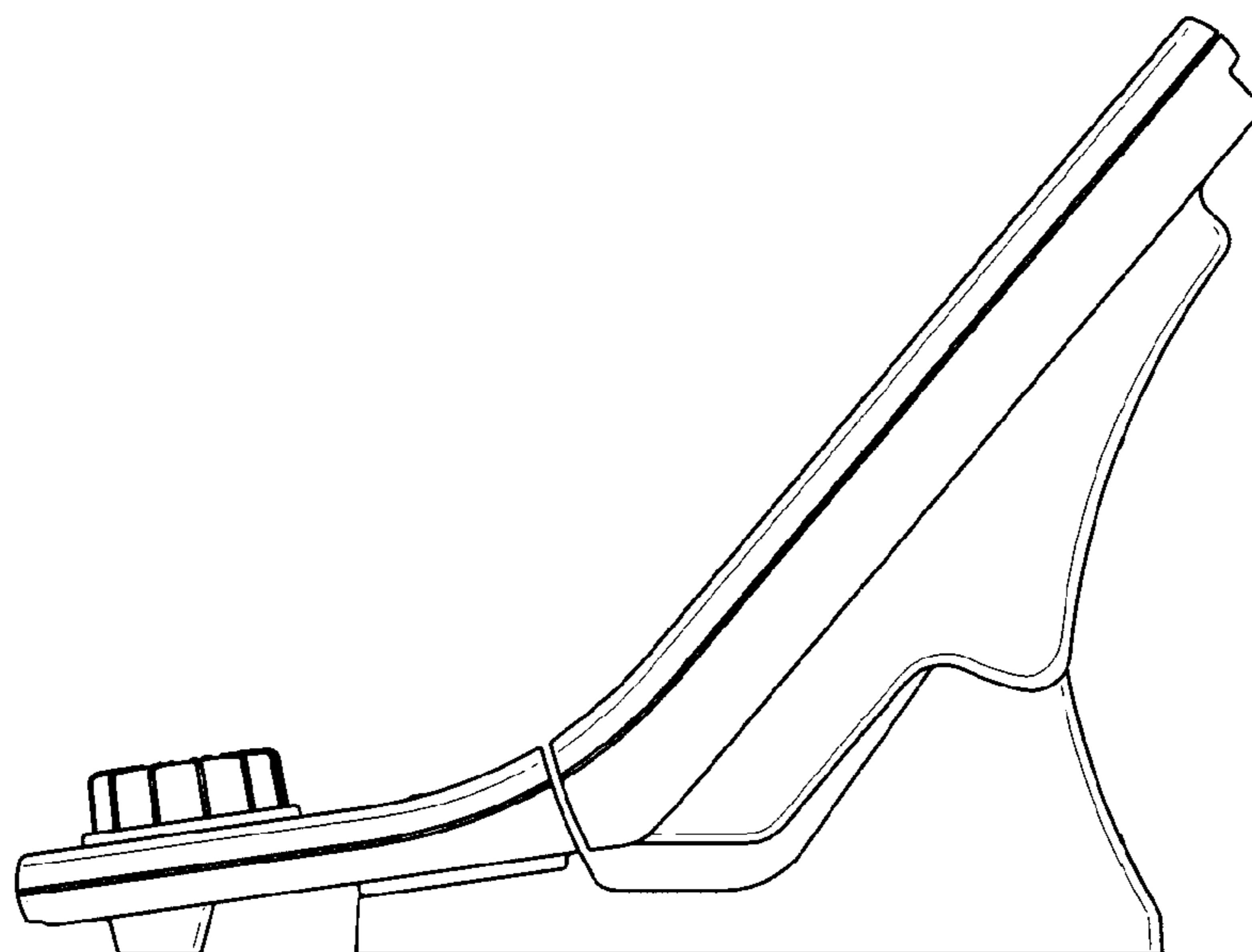


FIG.6

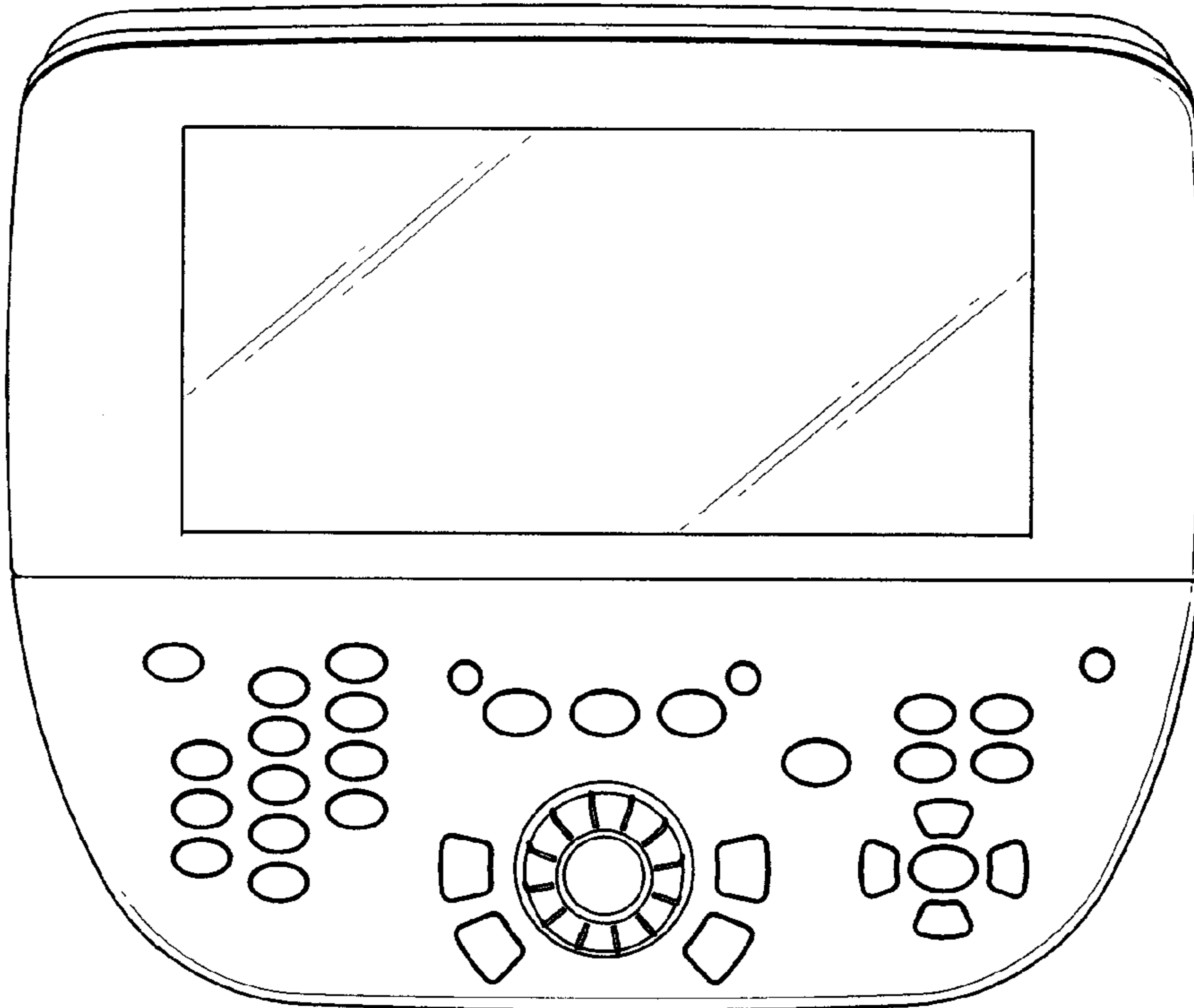


FIG.7

