



US00D553748S

(12) **United States Design Patent** (10) **Patent No.:** **US D553,748 S**
Ogiwara (45) **Date of Patent:** **** Oct. 23, 2007**

(54) **X-RAY APPARATUS FOR MEDICAL TREATMENT**

JP 1124421 10/2001
JP 1154586 9/2002

(75) Inventor: **Susumu Ogiwara**, Kumagaya (JP)

OTHER PUBLICATIONS

(73) Assignees: **Kabushiki Kaisha Toshiba (JP); Toshiba Medical Systems Corporation (JP)**

Extract of Nikkei Sangyo Shimbun (newspaper) showing an X-Ray Diagnosis Apparatus for a Circulatory Organ (Digitex Sapphire HC), Oct. 1, 2003.

(**) Term: **14 Years**

* cited by examiner

(21) Appl. No.: **29/225,730**

Primary Examiner—Catherine R. Oliver

Assistant Examiner—Anhdao Doan

(22) Filed: **Mar. 21, 2005**

(74) *Attorney, Agent, or Firm*—Banner & Witcoff, Ltd.

(30) **Foreign Application Priority Data**

(57) **CLAIM**

Nov. 26, 2004 (JP) 2004-036200

The ornamental design for an x-ray apparatus for medical treatment, as shown and described.

(51) **LOC (8) Cl.** **24-01**

(52) **U.S. Cl.** **D24/158**

(58) **Field of Classification Search** D24/158-161, D24/183; 378/178-190, 193, 195-198, 208, 378/209, 10, 11, 37-39

DESCRIPTION

See application file for complete search history.

FIG. 1 is a front, top and left side perspective view of an x-ray apparatus for medical treatment, showing my new design;

(56) **References Cited**

FIG. 2 is a rear, top and right side perspective view thereof;

U.S. PATENT DOCUMENTS

FIG. 3 is a front elevational view thereof;

4,618,133 A * 10/1986 Siczek 5/601

FIG. 4 is a rear elevational view thereof;

4,716,581 A * 12/1987 Barud 378/198

FIG. 5 is a top plan view thereof;

4,987,585 A * 1/1991 Kidd et al. 378/197

FIG. 6 is a bottom plan view thereof;

5,048,069 A * 9/1991 Siczek 378/197

FIG. 7 is a right side elevational view thereof;

5,050,204 A 9/1991 Siczek et al.

FIG. 8 is a left side elevational view thereof;

D366,701 S 1/1996 Mazess et al.

FIG. 9 is another perspective view thereof showing the state of use;

D378,133 S 2/1997 Murakami et al.

FIG. 10 is another perspective view thereof showing the state of use; and,

D397,440 S * 8/1998 Baars D24/158

FIG. 11 is another perspective view thereof showing the state of use.

6,031,891 A 2/2000 Roos et al.

6,382,833 B2 * 5/2002 Leandersson et al. 378/197

D480,142 S * 9/2003 Chikuma D24/158

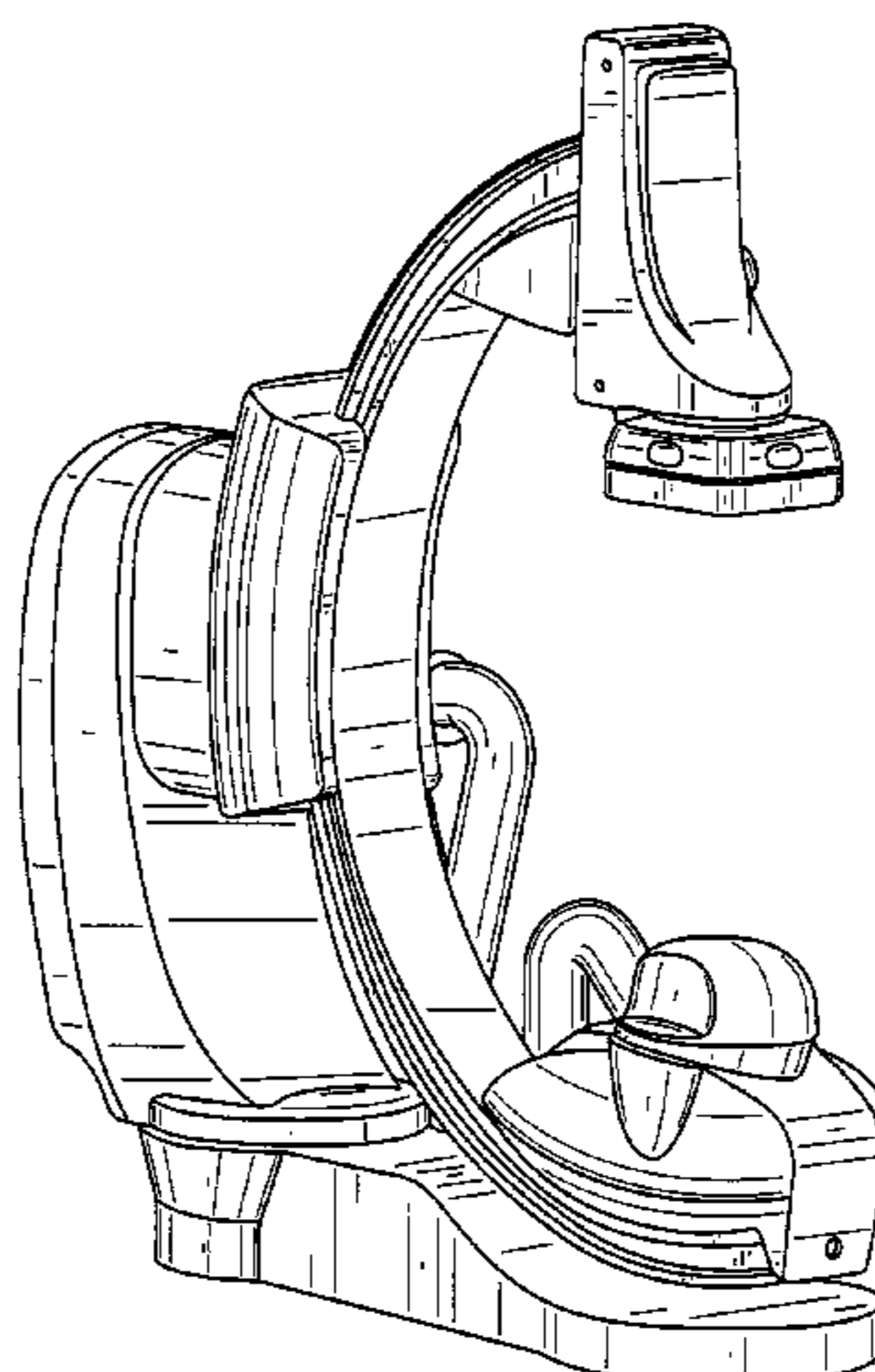
2005/0129181 A1 * 6/2005 Shinoda 378/209

2005/0226392 A1 * 10/2005 Strobel et al. 378/197

FOREIGN PATENT DOCUMENTS

JP 980825 5/1997

1 Claim, 9 Drawing Sheets



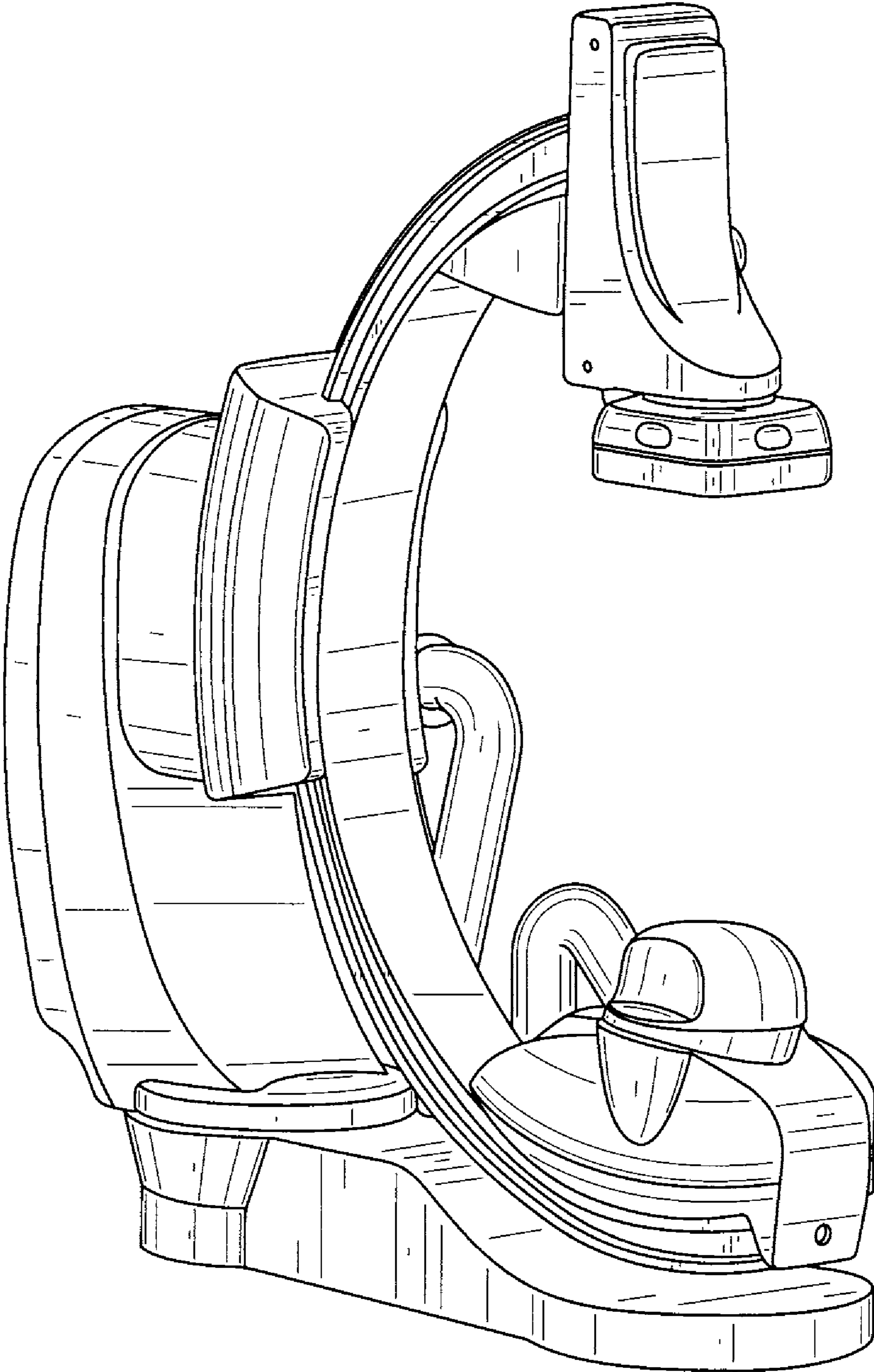


FIG. 1

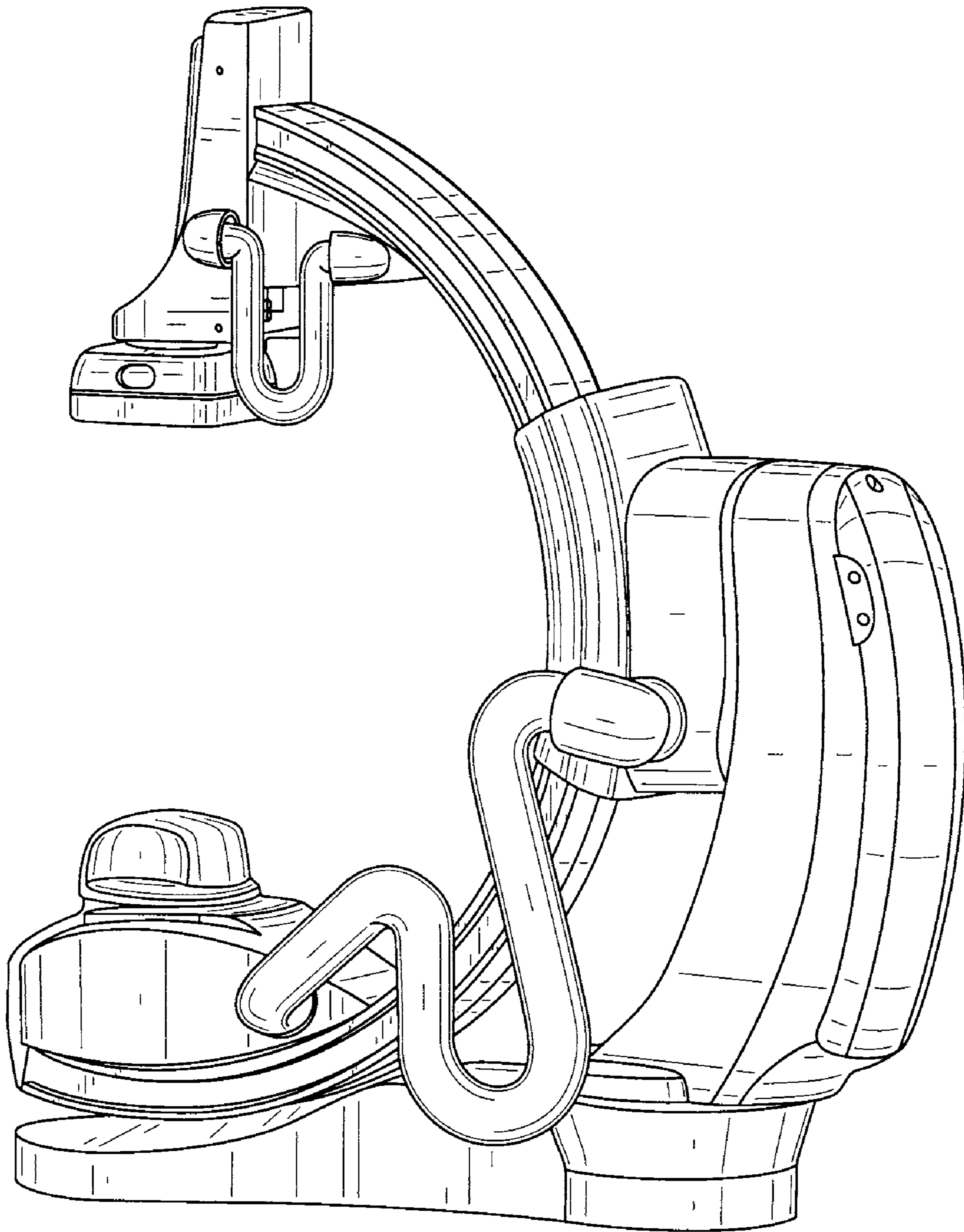


FIG. 2

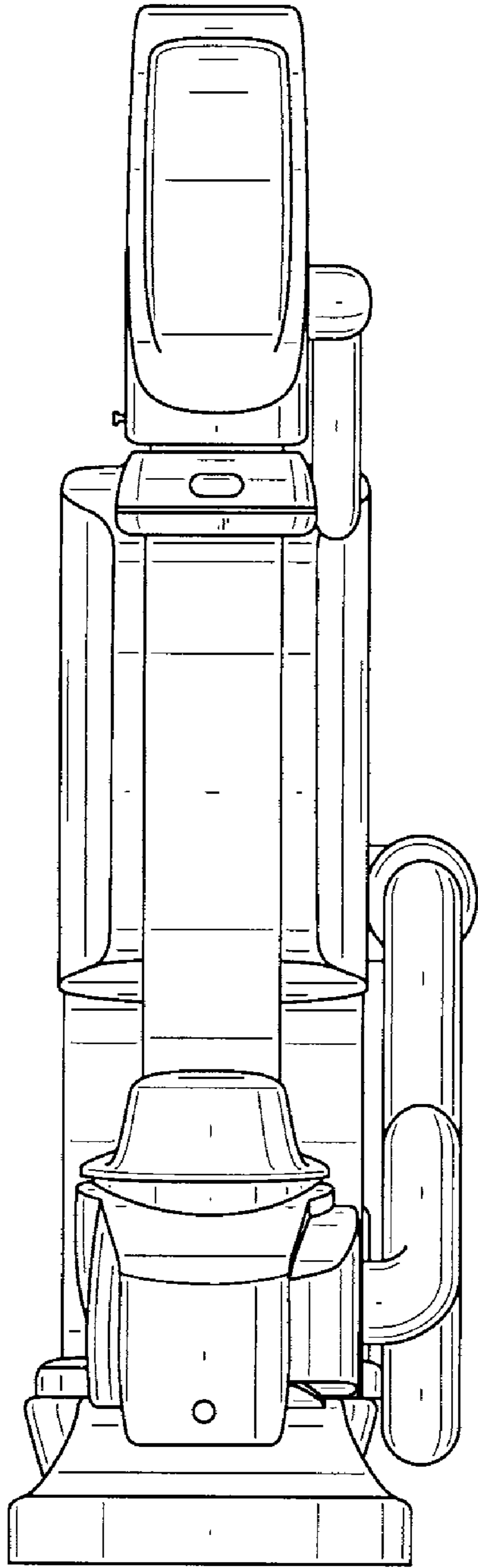


FIG. 3

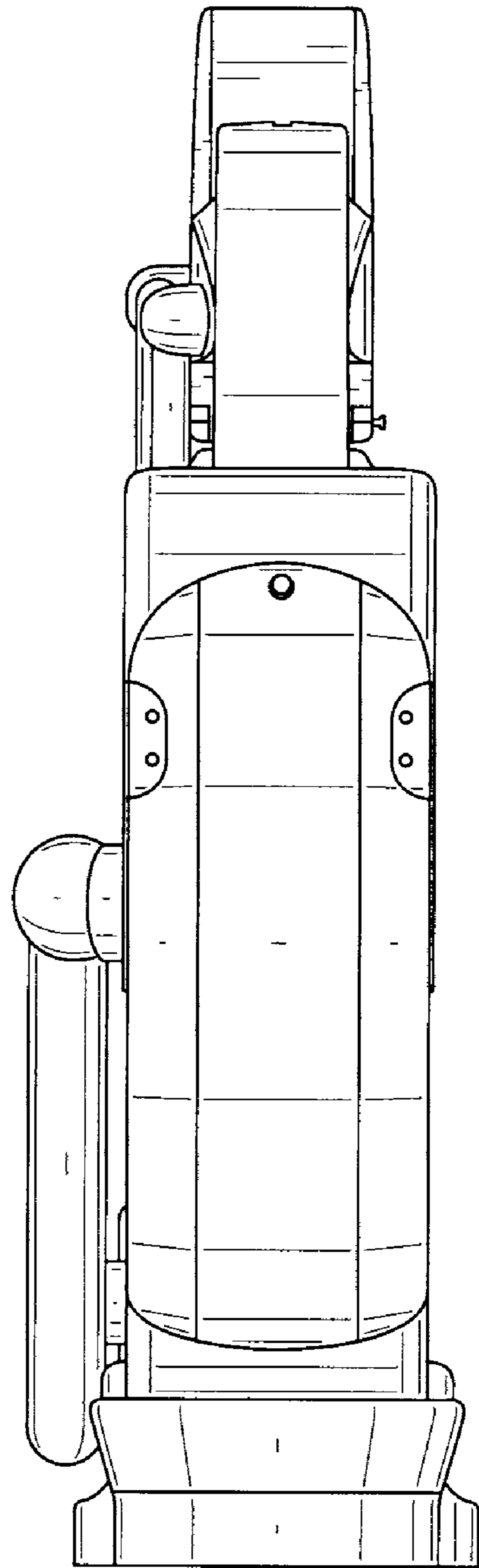


FIG. 4

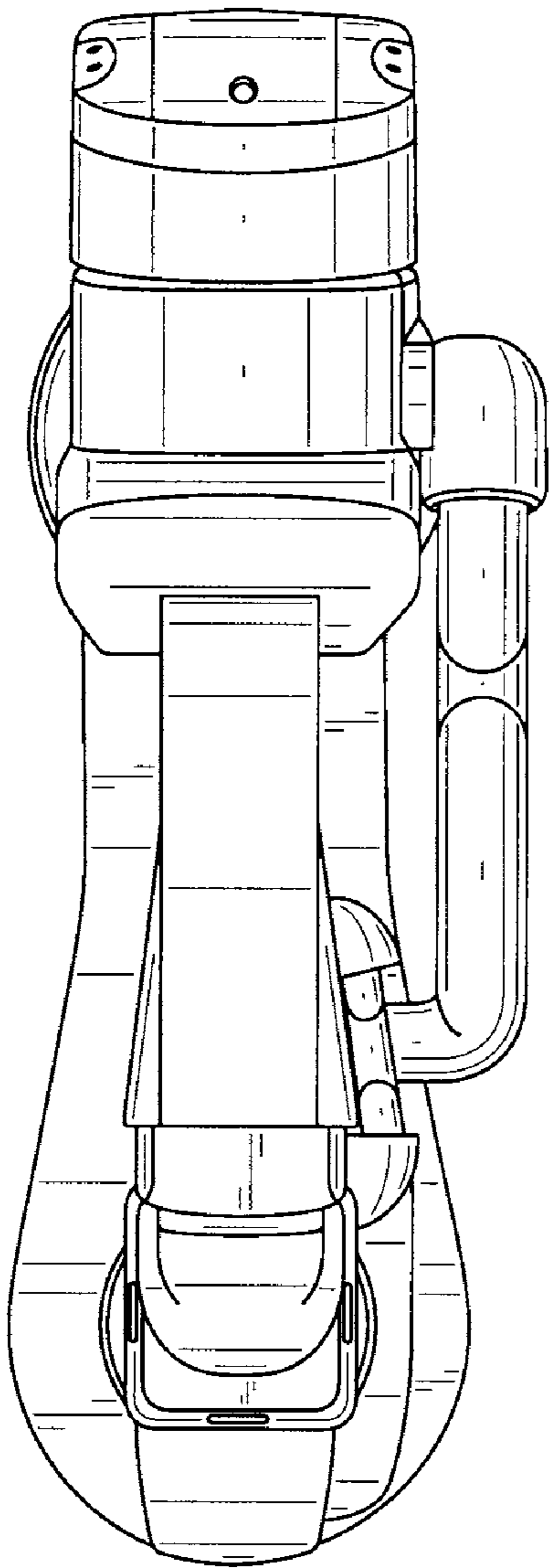


FIG. 5

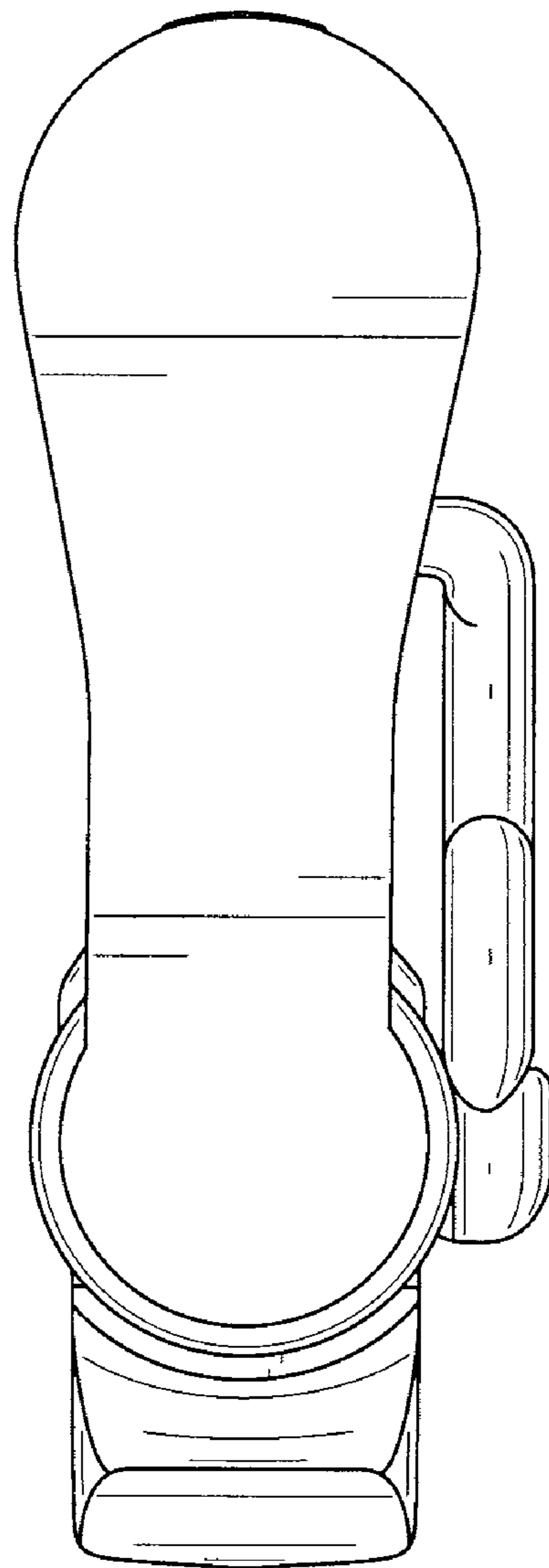


FIG. 6

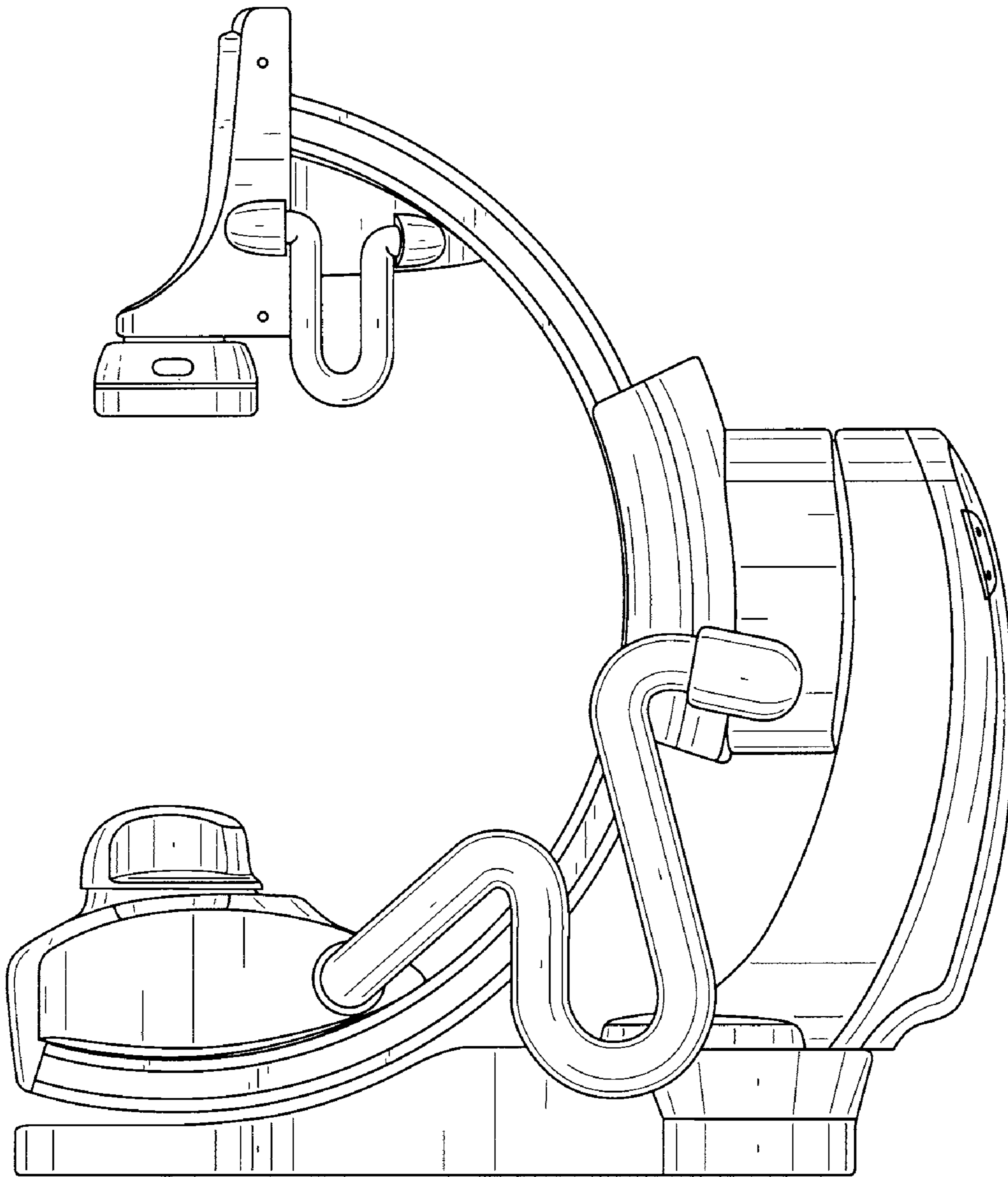


FIG. 7

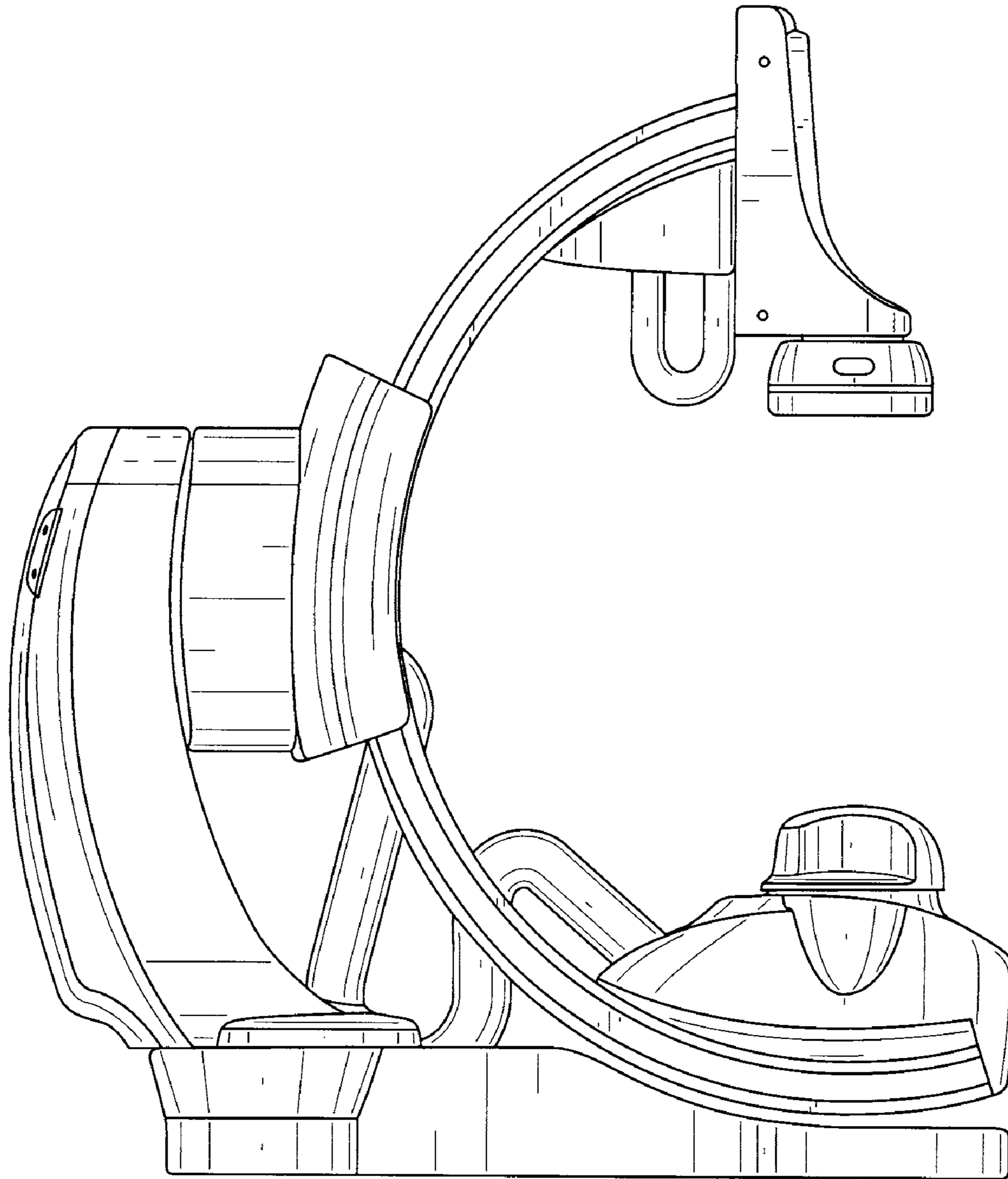


FIG. 8

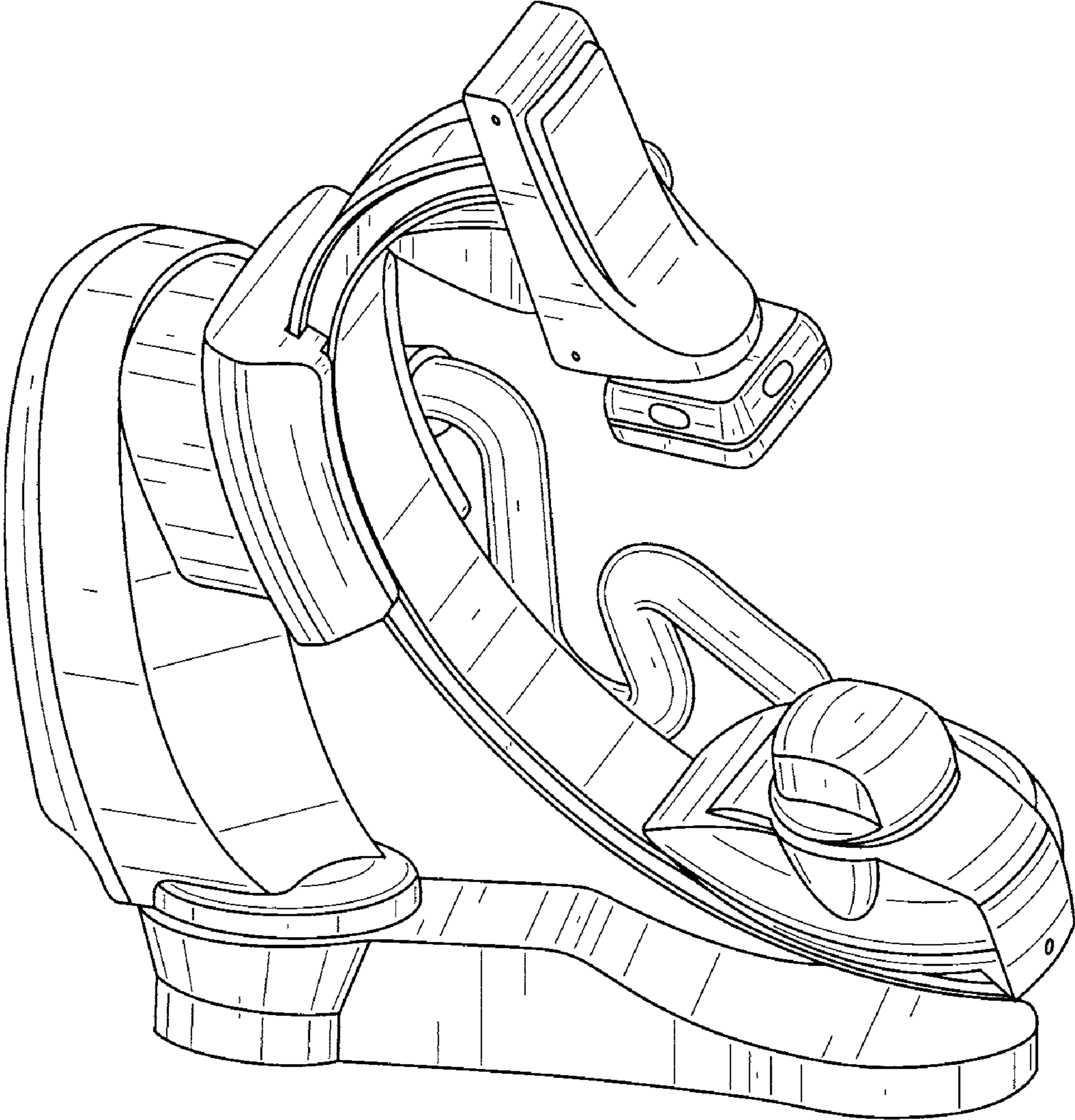


FIG. 9

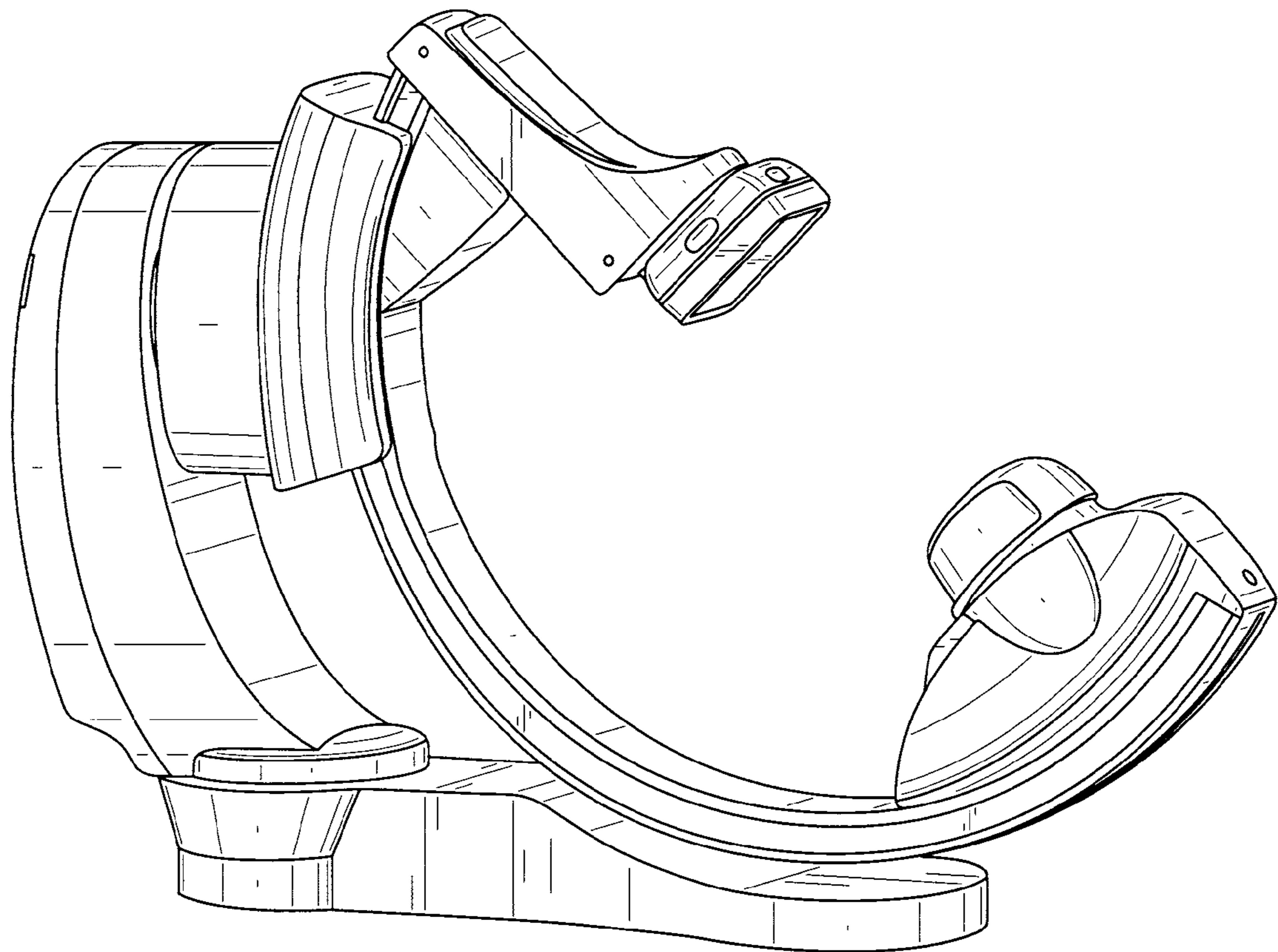


FIG. 10

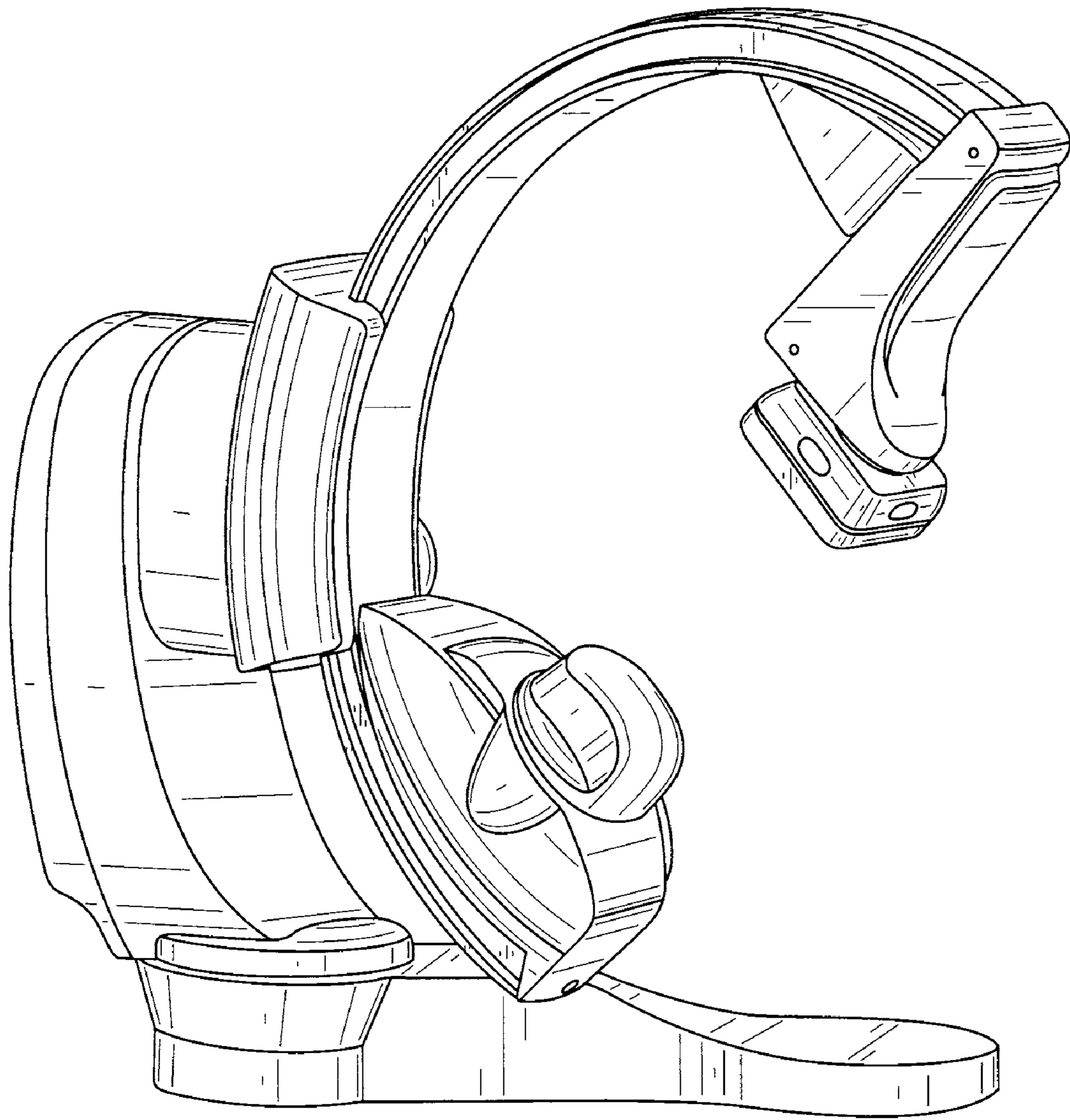


FIG. 11