



US00D553745S

(12) **United States Design Patent**
Park

(10) **Patent No.:** **US D553,745 S**

(45) **Date of Patent:** **** Oct. 23, 2007**

(54) **TRANSFORAMINAL LUMBAR INTERBODY FUSION IMPLANT**

(75) Inventor: **Ilwhan Park**, Walnut Creek, CA (US)

(73) Assignee: **Paceco Corp.**, Hayward, CA (US)

(**) Term: **14 Years**

(21) Appl. No.: **29/245,932**

(22) Filed: **Dec. 29, 2005**

(51) **LOC (8) Cl.** **24-03**

(52) **U.S. Cl.** **D24/155**

(58) **Field of Classification Search** D24/155-157,
D24/133, 107; 623/1.13-1.17, 17.11, 16.11;
604/1.02, 103.02; 433/141.3, 121; 81/119
See application file for complete search history.

(56) **References Cited**

U.S. PATENT DOCUMENTS

D458,373	S *	6/2002	Jackson	D24/155
6,454,805	B1 *	9/2002	Bacelli et al.	623/17.11
D472,633	S *	4/2003	Anderson	D24/155
6,743,255	B2 *	6/2004	Ferree	623/17.11
D494,274	S *	8/2004	Varga et al.	D24/155
6,855,167	B2 *	2/2005	Shimp et al.	623/17.11
6,984,245	B2 *	1/2006	McGahan et al.	623/17.11

D530,423	S *	10/2006	Miles et al.	D24/155
7,125,424	B2 *	10/2006	Banick et al.	623/17.11
7,137,997	B2 *	11/2006	Paul	623/17.11
7,141,068	B2 *	11/2006	Ross et al.	623/17.11

* cited by examiner

Primary Examiner—Charles A. Rademaker

(74) *Attorney, Agent, or Firm*—Bruce & McCoy; Ernest H. McCoy

(57) **CLAIM**

The ornamental design for a transforaminal lumbar interbody fusion implant, as shown and described.

DESCRIPTION

FIG. 1 is a front perspective view of a transforaminal lumbar interbody fusion implant showing my new design.

FIG. 2 is a top plan view thereof;

FIG. 3 is a bottom plan view thereof;

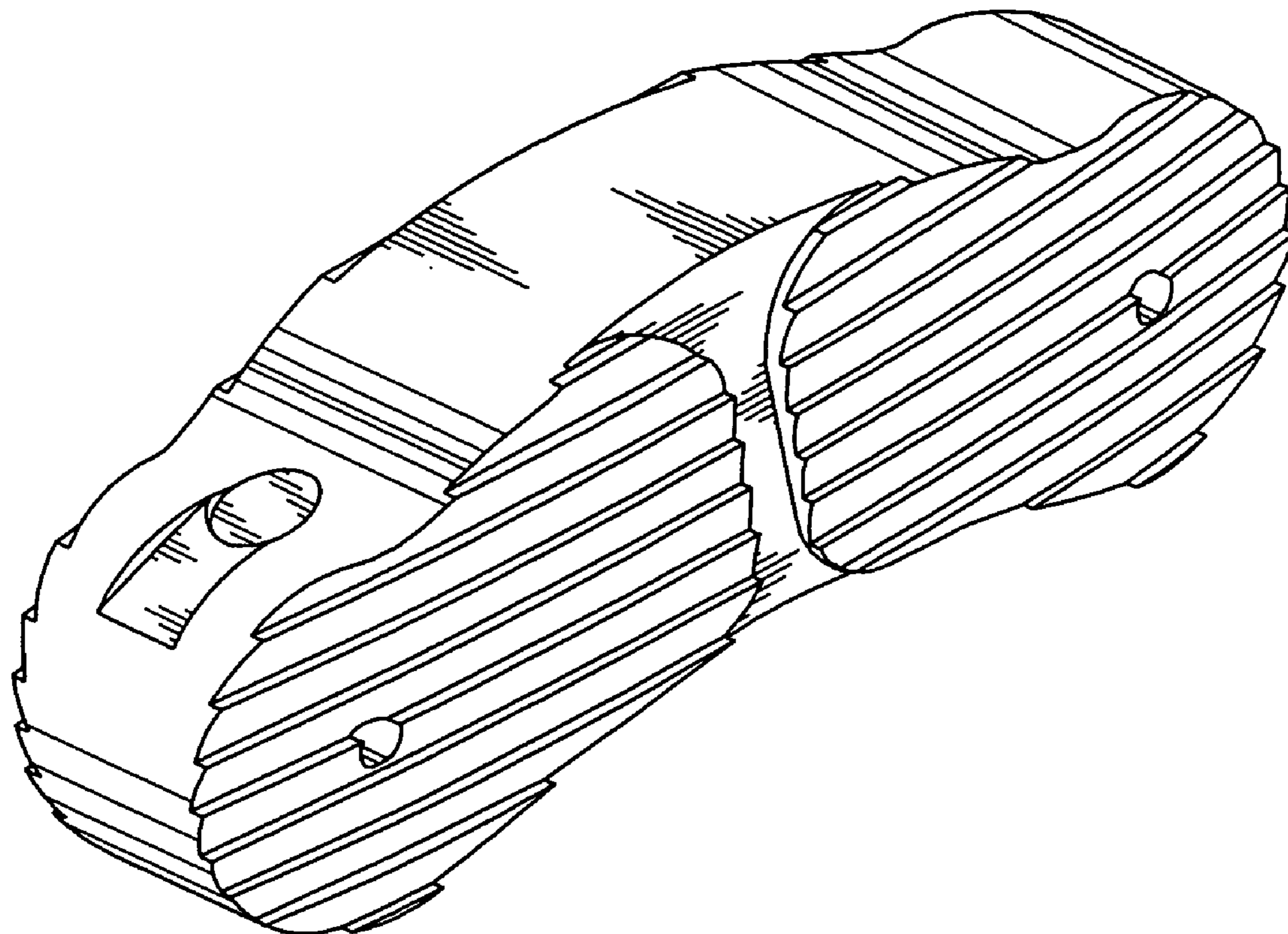
FIG. 4 is a side elevation thereof;

FIG. 5 is a opposite side elevation thereof;

FIG. 6 is a front elevation thereof; and,

FIG. 7 is a rear elevation thereof.

1 Claim, 2 Drawing Sheets



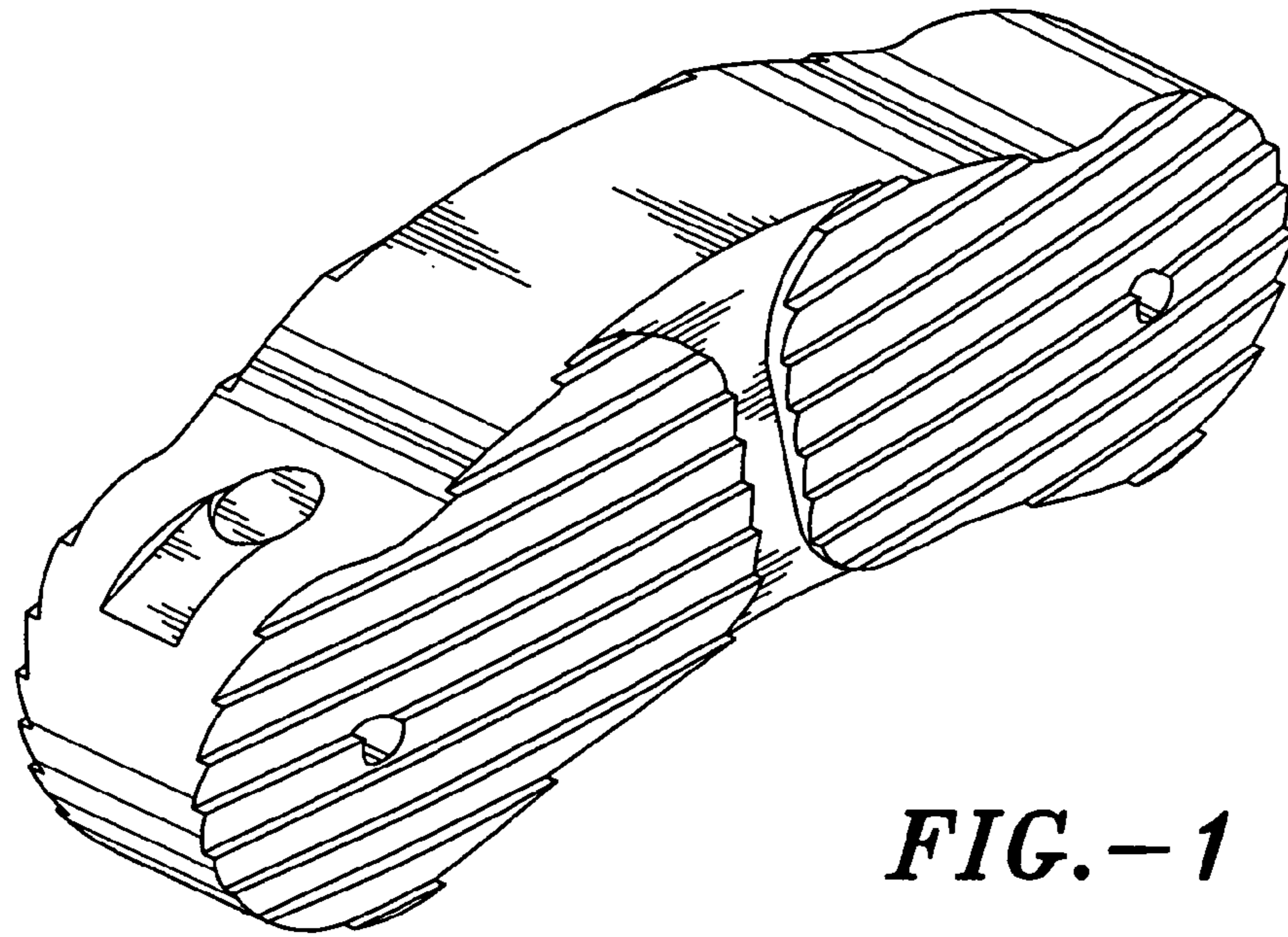


FIG.-1

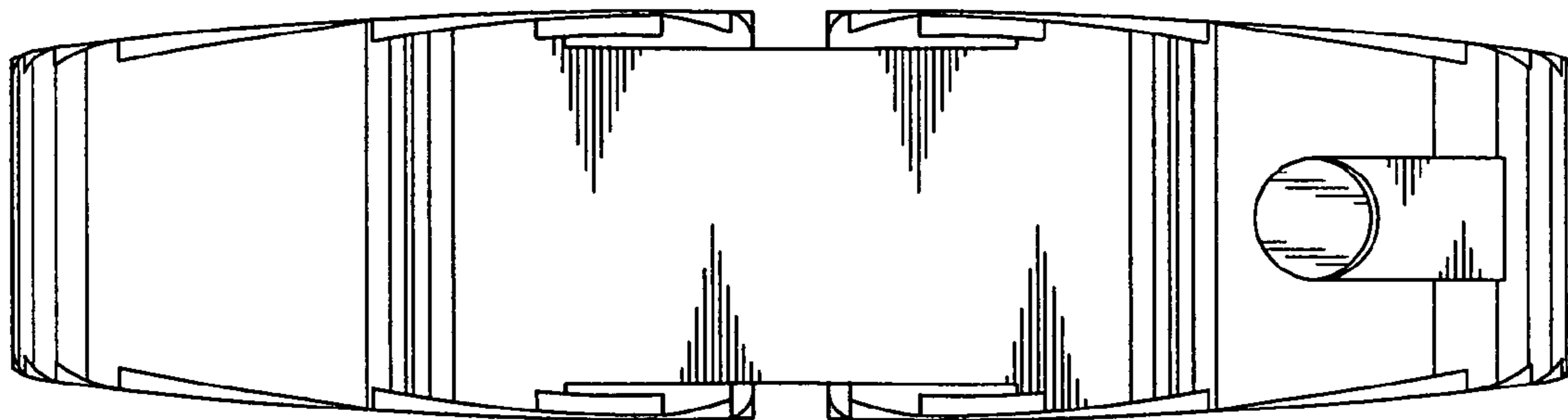


FIG.-2

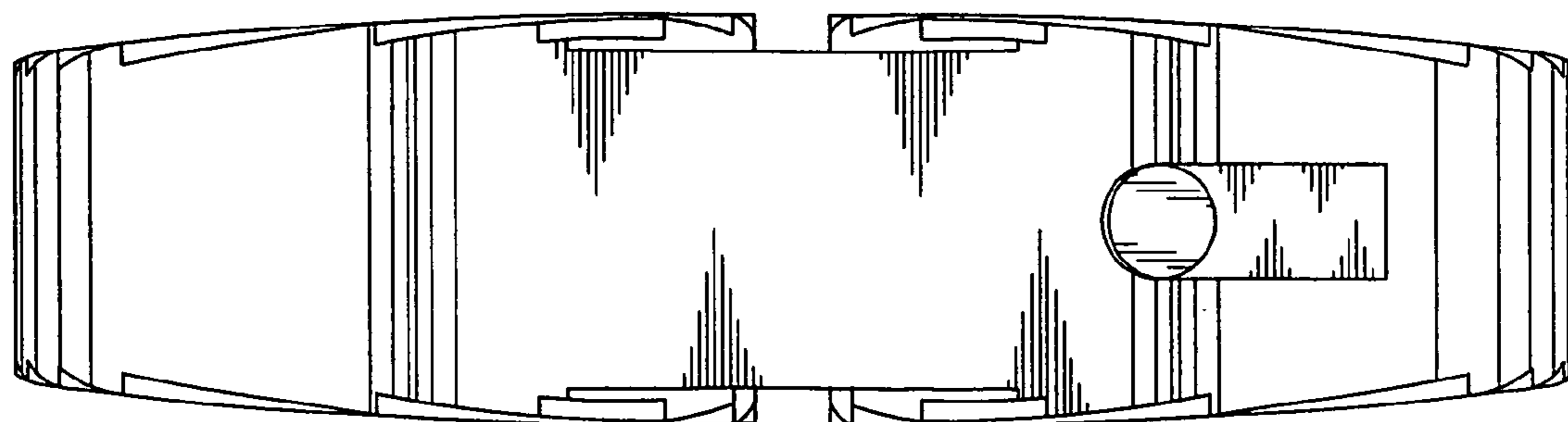


FIG.-3

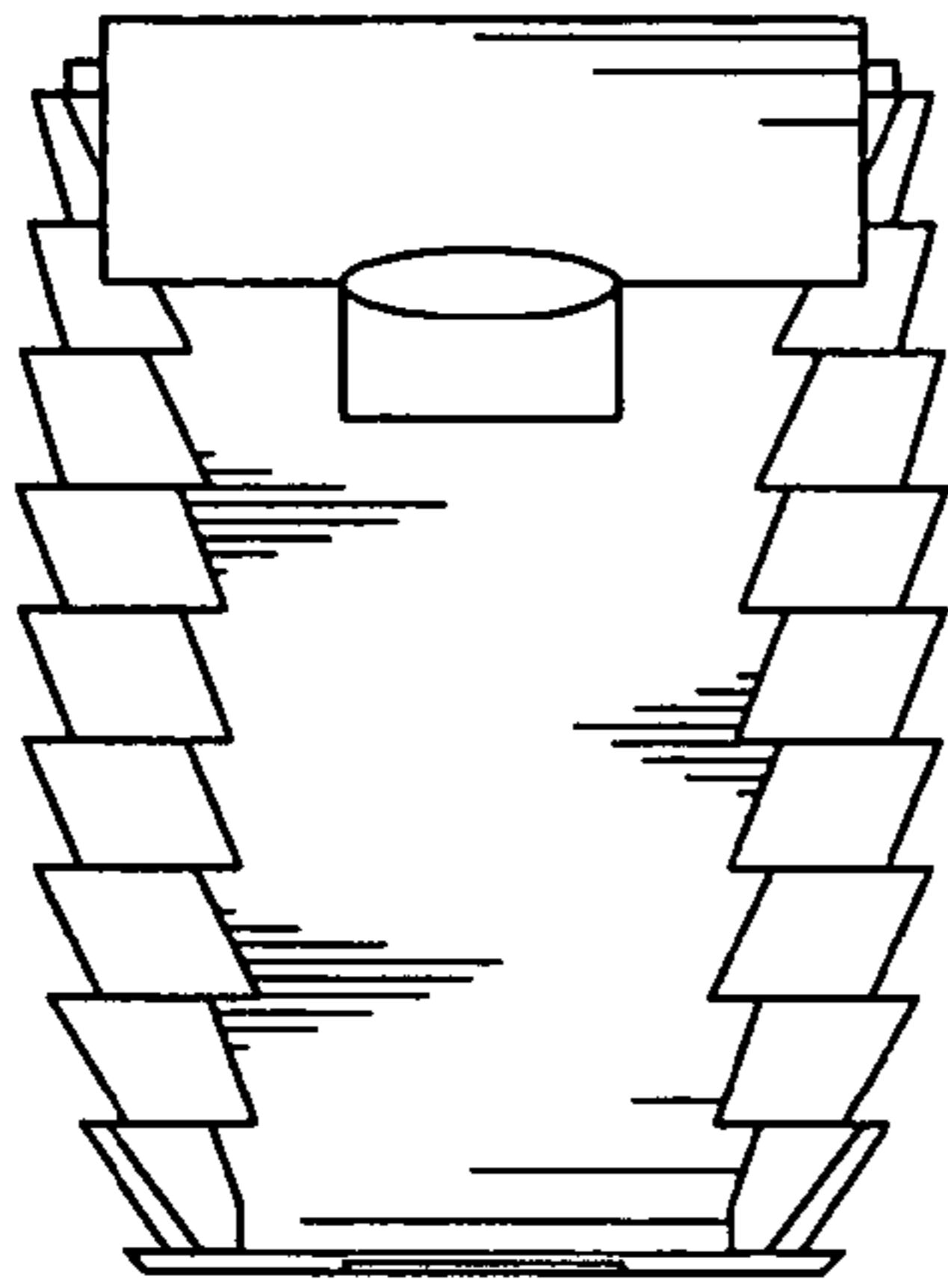


FIG.-4

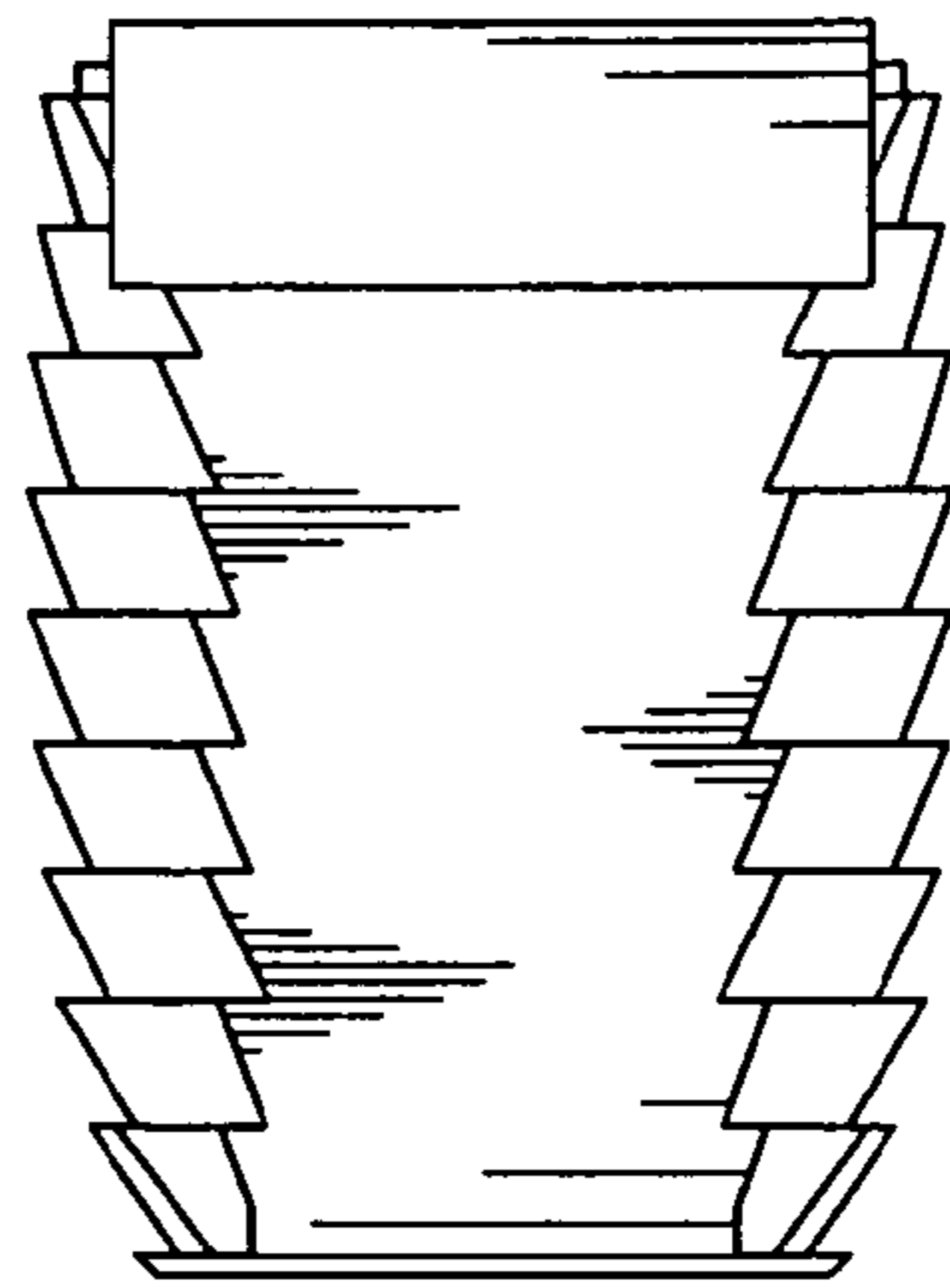


FIG.-5

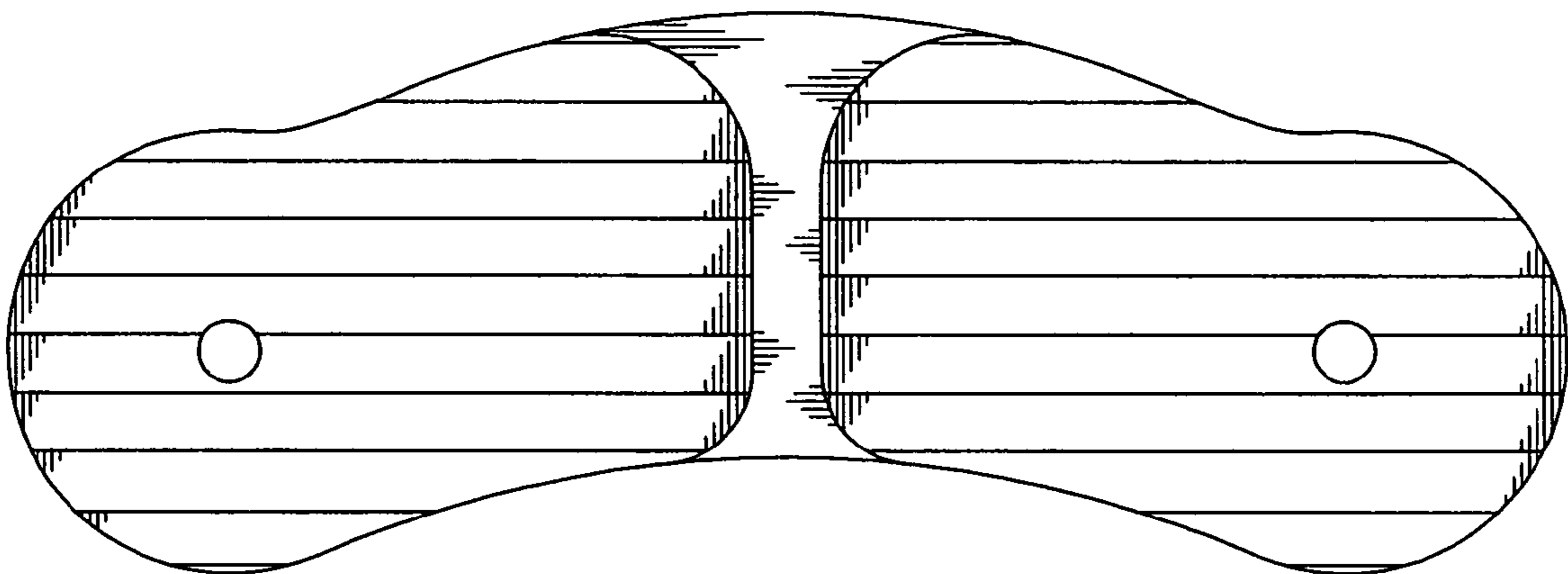


FIG.-6

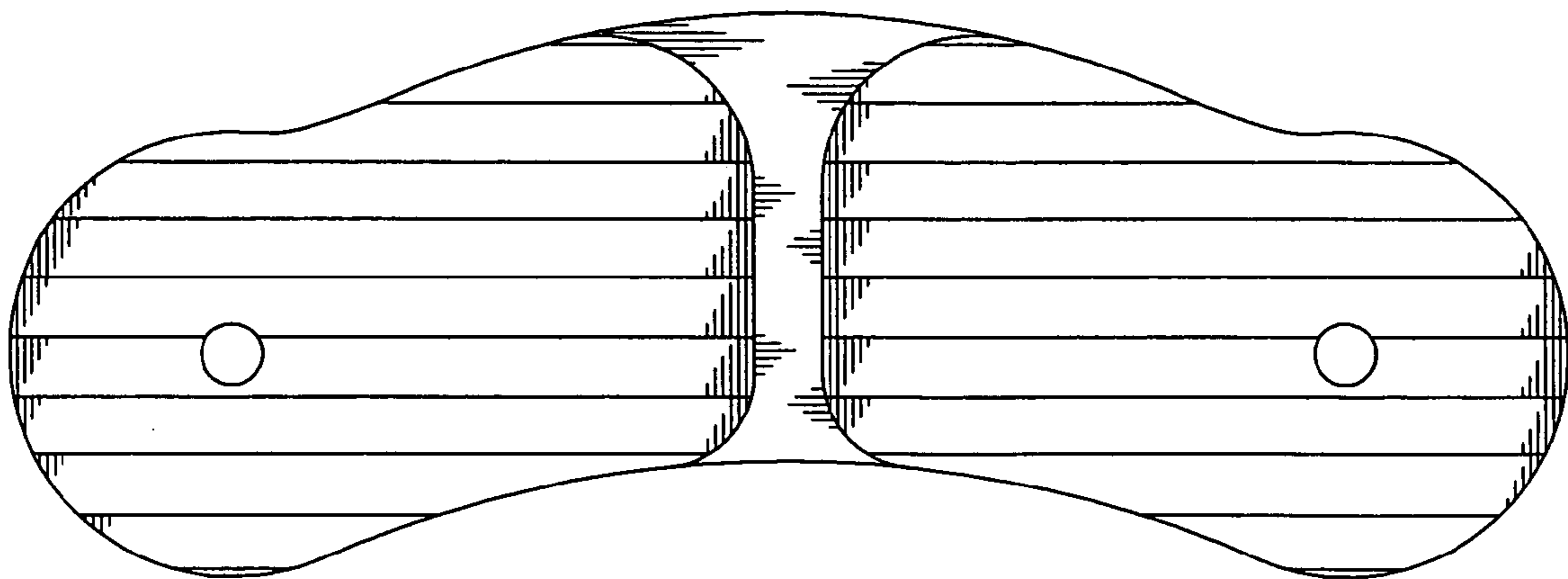


FIG.-7

UNITED STATES PATENT AND TRADEMARK OFFICE
CERTIFICATE OF CORRECTION

PATENT NO. : Des. 553,745 S
APPLICATION NO. : 29/245932
DATED : October 23, 2007
INVENTOR(S) : Ilwhan Park

Page 1 of 1

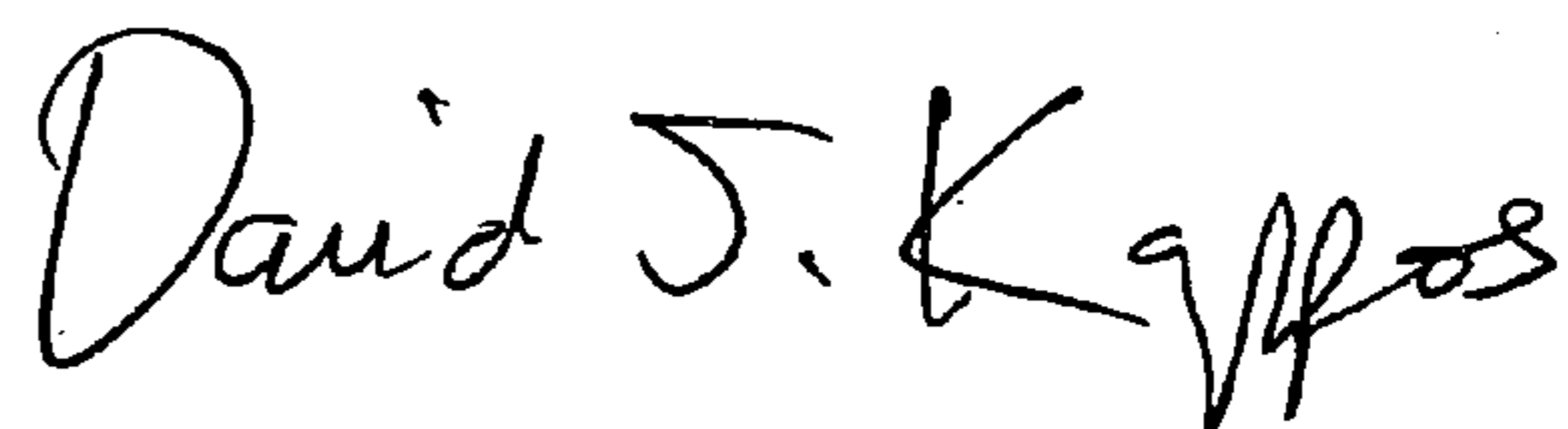
It is certified that error appears in the above-identified patent and that said Letters Patent is hereby corrected as shown below:

On the title page item (73), should read:

--Tissue Banks International--

Signed and Sealed this

Fourth Day of May, 2010

A handwritten signature in black ink that reads "David J. Kappos". The signature is written in a cursive, flowing style.

David J. Kappos
Director of the United States Patent and Trademark Office