



US00D553743S

(12) **United States Design Patent**
Park

(10) **Patent No.:** **US D553,743 S**

(45) **Date of Patent:** **** Oct. 23, 2007**

(54) **CERVICAL LUMBAR INTERBODY FUSION IMPLANT**

(75) Inventor: **Ilwhan Park**, Walnut Creek, CA (US)

(73) Assignee: **Paceco Corp.**, Hayward, CA (US)

(**) Term: **14 Years**

(21) Appl. No.: **29/245,930**

(22) Filed: **Dec. 29, 2005**

(51) **LOC (8) Cl.** **24-03**

(52) **U.S. Cl.** **D24/155**

(58) **Field of Classification Search** D24/155-157,
D24/133, 107; 623/1.13-1.17, 17.11, 16.11;
604/1.02, 103.02; 433/141.3, 121; 81/119
See application file for complete search history.

(56) **References Cited**

U.S. PATENT DOCUMENTS

D450,121 S *	11/2001	Anderson	D24/155
6,454,805 B1 *	9/2002	Baccelli et al.	623/17.11
D472,633 S *	4/2003	Anderson	D24/155
D472,634 S *	4/2003	Anderson	D24/155
D472,971 S *	4/2003	Anderson	D24/155
D473,650 S *	4/2003	Anderson	D24/155
D473,944 S *	4/2003	Anderson	D24/155
6,984,245 B2 *	1/2006	McGahan et al.	623/17.11

D530,423 S *	10/2006	Miles et al.	D24/155
7,125,424 B2 *	10/2006	Banick et al.	623/17.11
7,137,997 B2 *	11/2006	Paul	623/17.11
7,172,627 B2 *	2/2007	Fiere et al.	623/17.11
7,192,447 B2 *	3/2007	Rhoda	623/17.11

* cited by examiner

Primary Examiner—Charles A. Rademaker

(74) *Attorney, Agent, or Firm*—Bruce & McCoy; Ernest H. McCoy

(57) **CLAIM**

The ornamental design for a cervical lumbar interbody fusion implant, as shown and described.

DESCRIPTION

FIG. 1 is a front perspective view of a cervical lumbar interbody fusion implant showing my new design.

FIG. 2 is a front elevation thereof;

FIG. 3 is a rear elevation thereof;

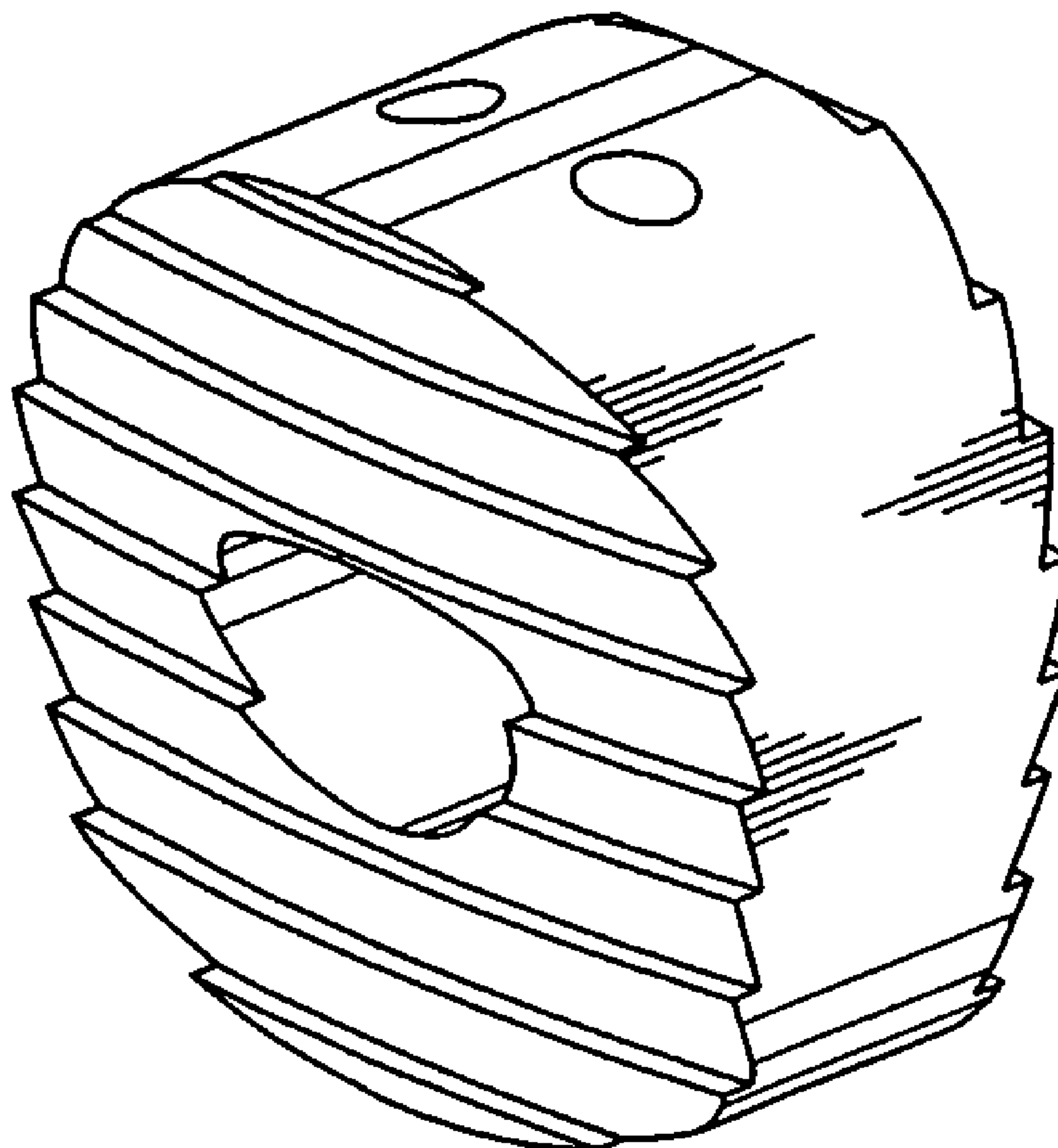
FIG. 4 is a side elevation thereof;

FIG. 5 is a opposite side elevation thereof;

FIG. 6 is a top plan view thereof; and,

FIG. 7 is a bottom plan view thereof.

1 Claim, 1 Drawing Sheet



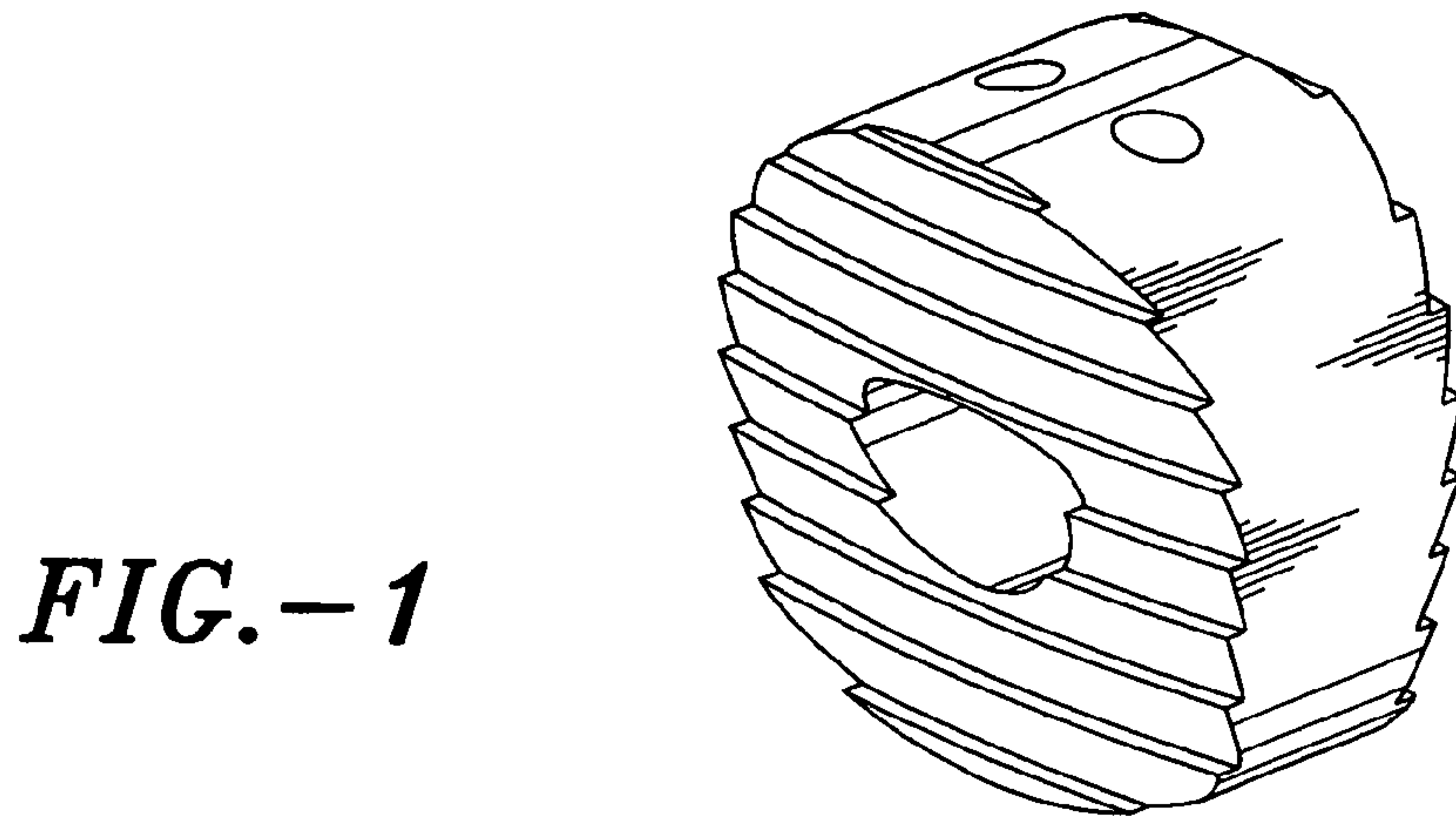


FIG.-1

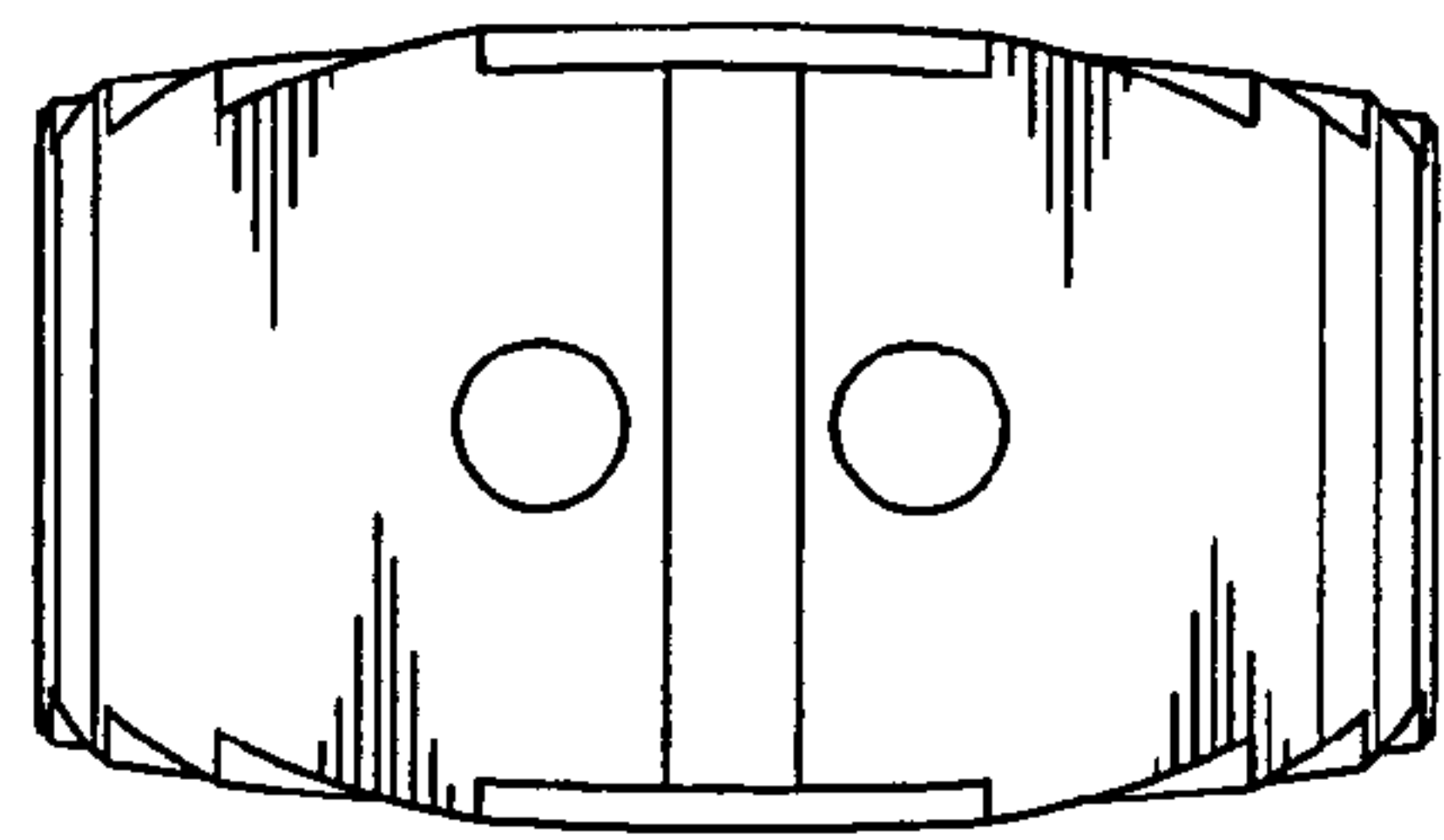


FIG.-2

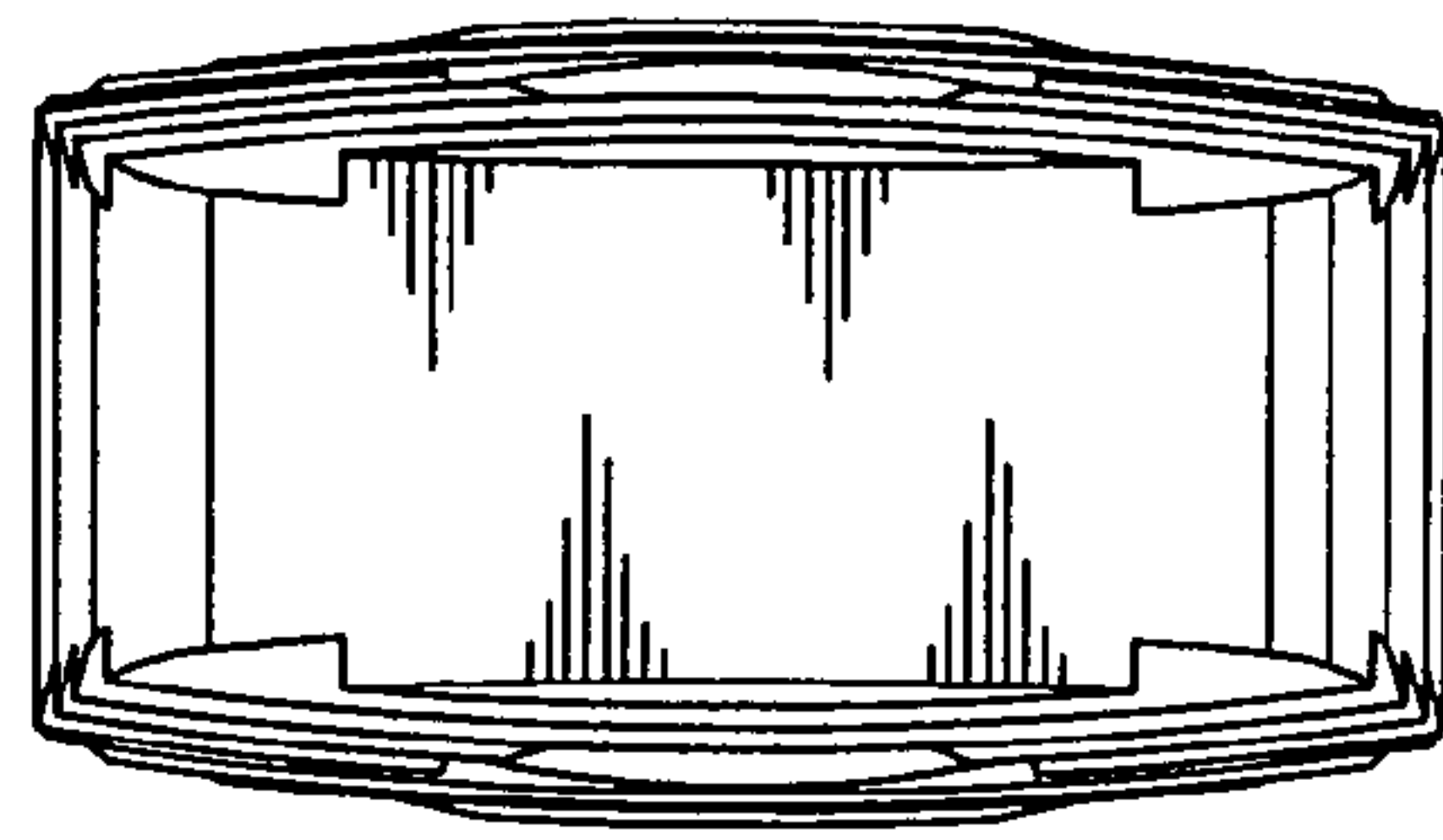


FIG.-3

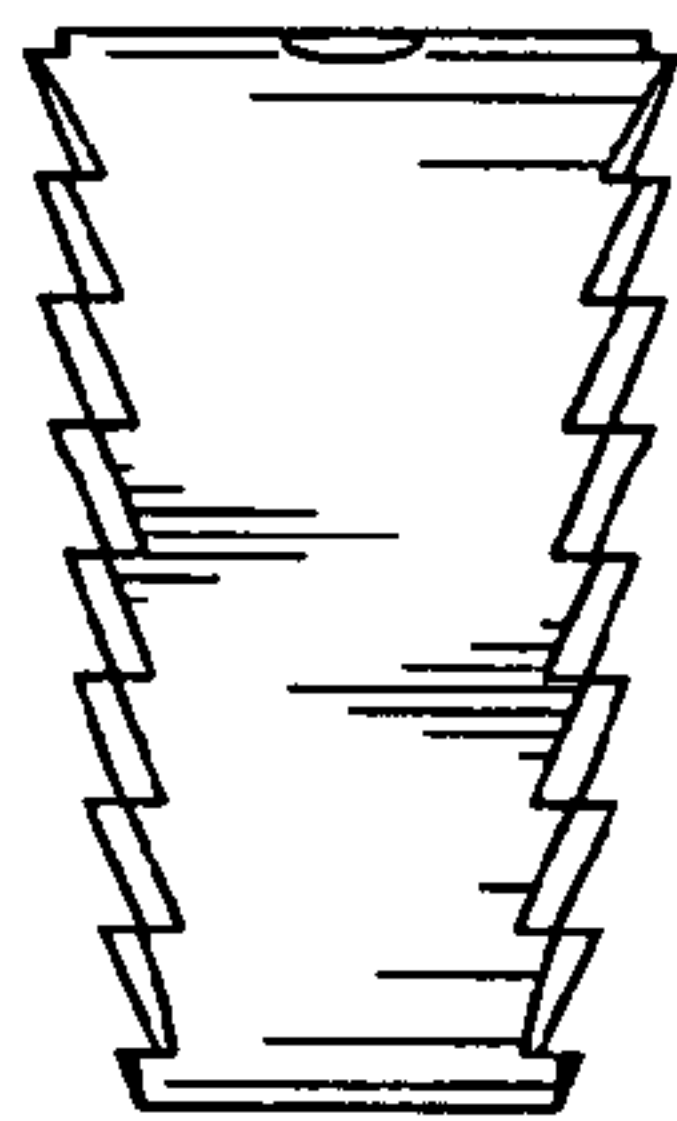


FIG.-4

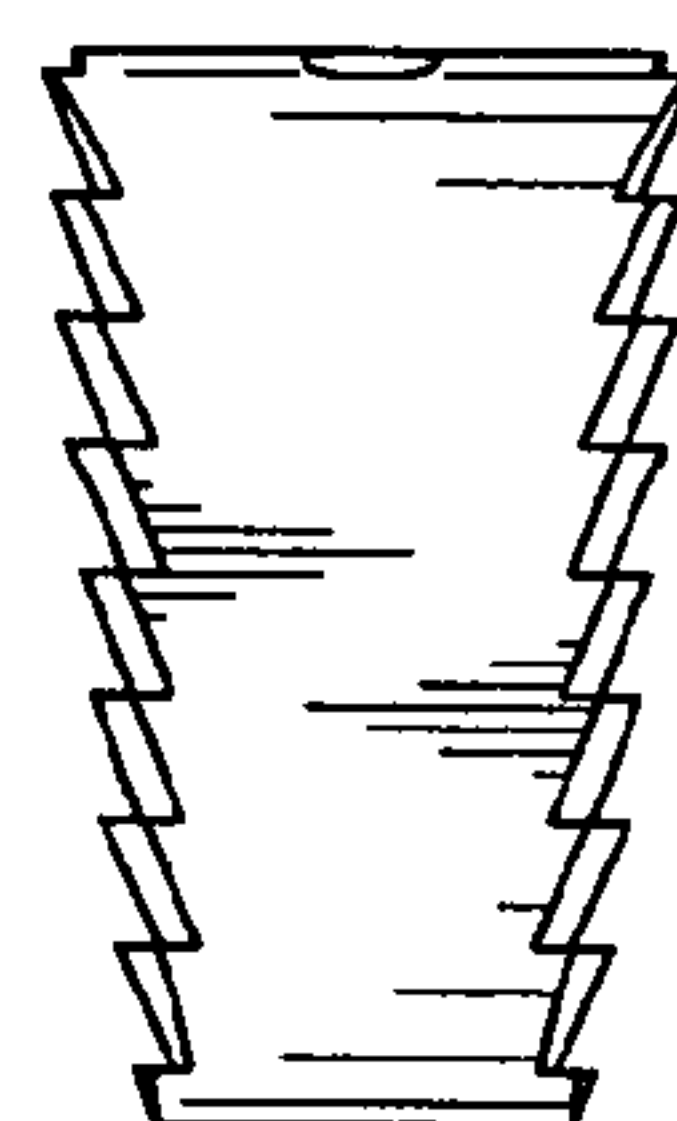


FIG.-5

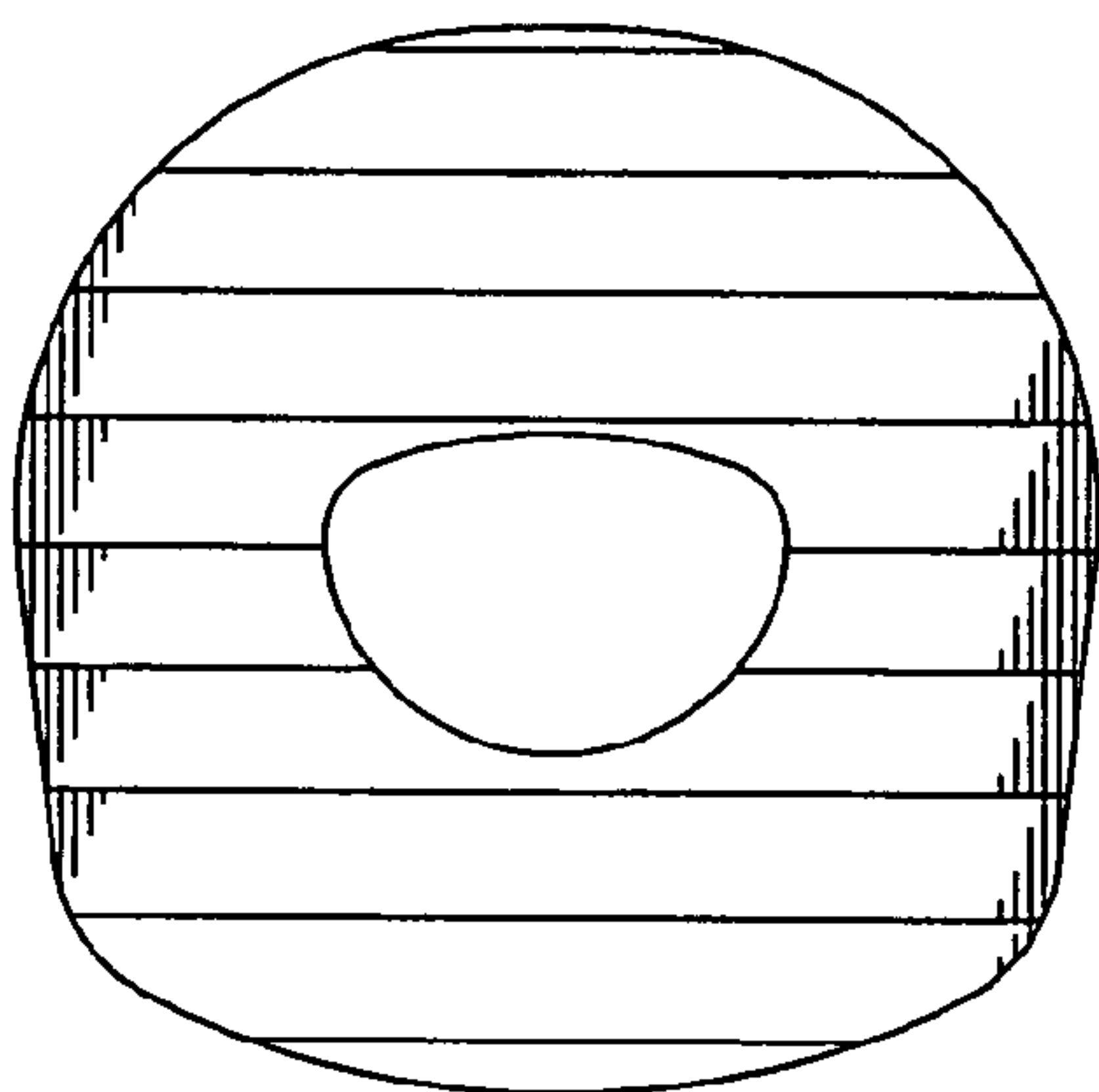


FIG.-6

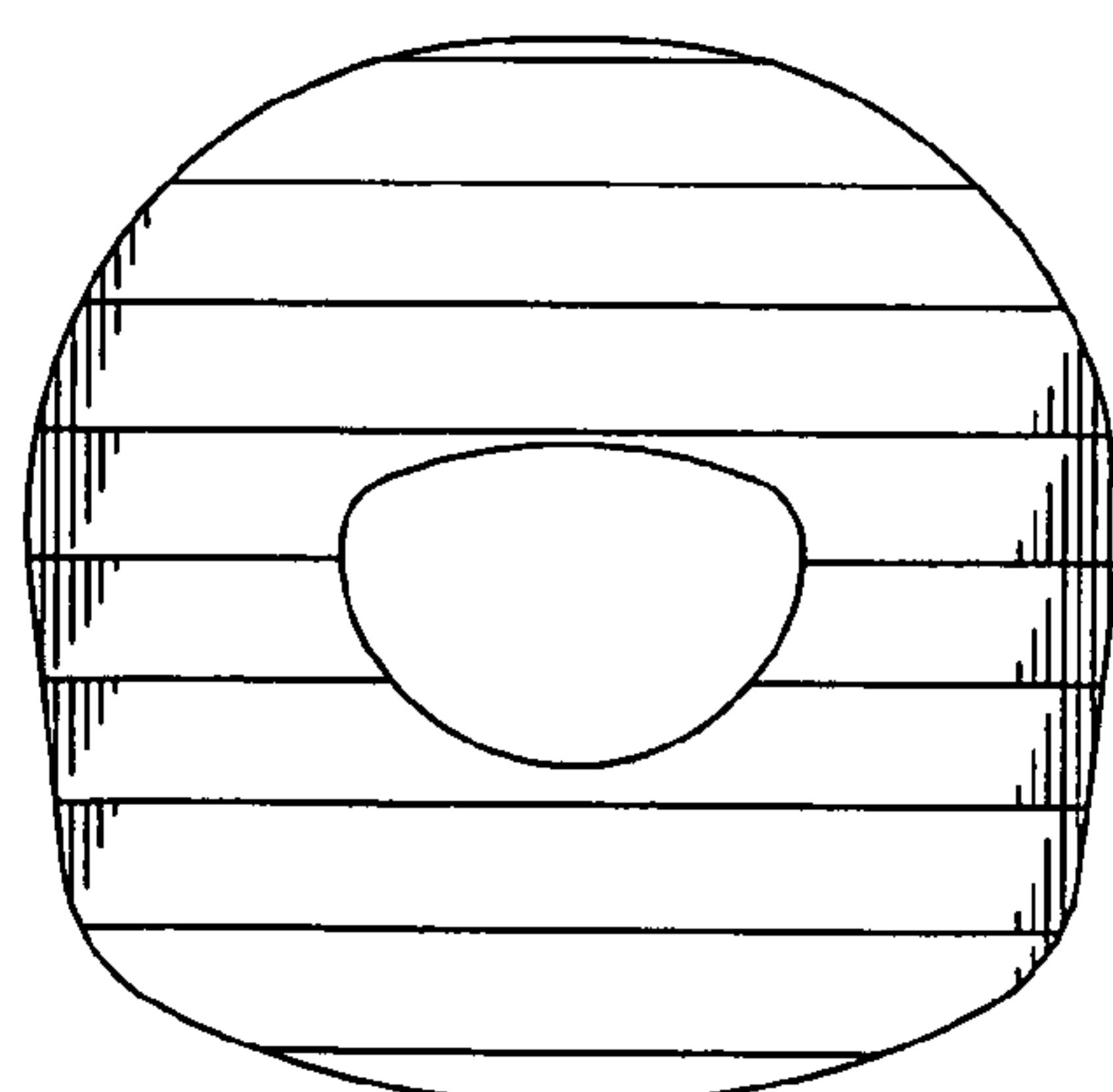


FIG.-7

UNITED STATES PATENT AND TRADEMARK OFFICE
CERTIFICATE OF CORRECTION

PATENT NO. : Des. 553,743 S
APPLICATION NO. : 29/245930
DATED : October 23, 2007
INVENTOR(S) : Ilwhan Park

Page 1 of 1

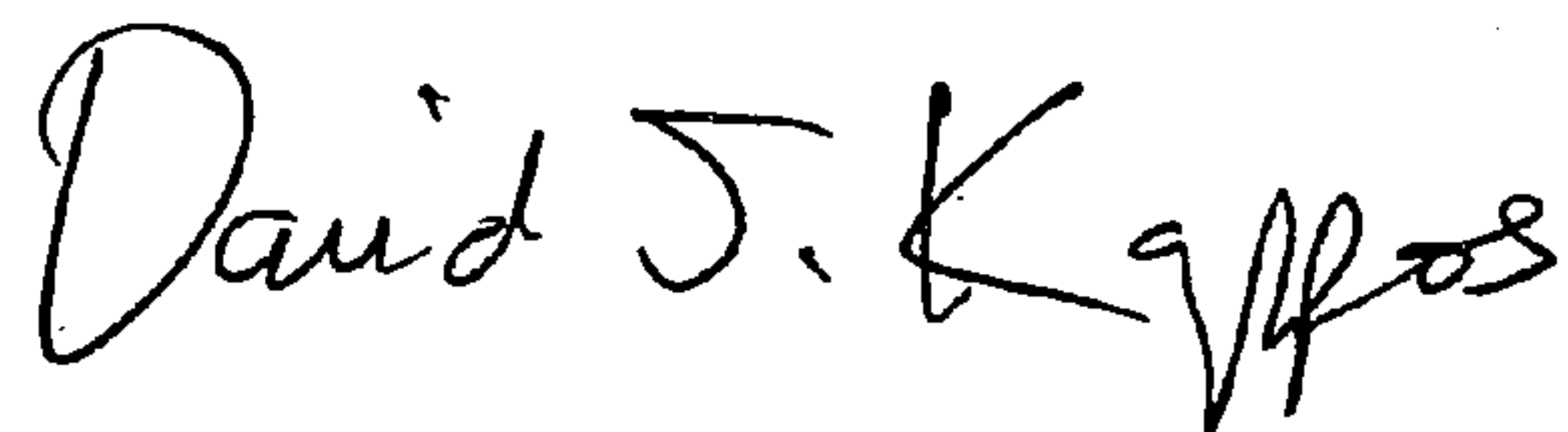
It is certified that error appears in the above-identified patent and that said Letters Patent is hereby corrected as shown below:

Title Page; item (73);

The correct assignee for the above-identified patent is Tissue Banks International, as set forth in the assignment recorded on December 29, 2005 at Reel/Frame: 017453/0044. Paceco Corp. was erroneously indicated as the assignee on the issue fee transmittal form.

Signed and Sealed this

Fourth Day of May, 2010

A handwritten signature in black ink that reads "David J. Kappos". The signature is written in a cursive, flowing style.

David J. Kappos
Director of the United States Patent and Trademark Office