



US00D553741S

(12) **United States Design Patent**
Chen

(10) **Patent No.:** **US D553,741 S**

(45) **Date of Patent:** **** Oct. 23, 2007**

(54) **ARTIFICIAL JOINT**

(76) Inventor: **Chien-Yu Chen**, 9F, No. 236, Sec. 3,
Ho-ping West Road, Chong-Chen
District, Taipei (TW)

(**) Term: **14 Years**

(21) Appl. No.: **29/243,914**

(22) Filed: **Dec. 2, 2005**

(51) **LOC (8) Cl.** **24-03**

(52) **U.S. Cl.** **D24/155**

(58) **Field of Classification Search** D24/155-157,
D24/133, 107; 623/1.13-1.17, 17.16, 17.11,
623/44, 39; 604/1.02, 103.2; 433/141.3,
433/121; 81/119

See application file for complete search history.

(56) **References Cited**

U.S. PATENT DOCUMENTS

5,545,232	A *	8/1996	Van de Veen	623/44
D383,542	S *	9/1997	Wellershaus et al.	D24/155
D402,368	S *	12/1998	Holzapfel	D24/155
D439,339	S *	3/2001	Sawatzki	D24/155
D446,304	S *	8/2001	Sawatzki et al.	D24/155
6,752,835	B2 *	6/2004	Shen	623/44
D522,142	S *	5/2006	Boiten	D24/155
D523,959	S *	6/2006	Muehlenberend	D24/155
D525,709	S *	7/2006	Boiten	D24/155
D526,062	S *	8/2006	Harn et al.	D24/155

D526,412	S *	8/2006	Harn et al.	D24/155
D527,458	S *	8/2006	Harn et al.	D24/155
7,087,090	B2 *	8/2006	Andrysek et al.	623/44
7,087,091	B1 *	8/2006	Chen	623/44

FOREIGN PATENT DOCUMENTS

GB	2048220	*	11/1995
GB	2057675	*	2/1997
GB	2095717	*	11/2000

* cited by examiner

Primary Examiner—Charles A. Rademaker

(74) *Attorney, Agent, or Firm*—Rabin & Berdo, P.C.

(57) **CLAIM**

The ornamental design for artificial joint, as shown and described.

DESCRIPTION

FIG. 1 is a perspective view of artificial joint showing my new design;

FIG. 2 is a front elevational view thereof;

FIG. 3 is a rear elevational view thereof;

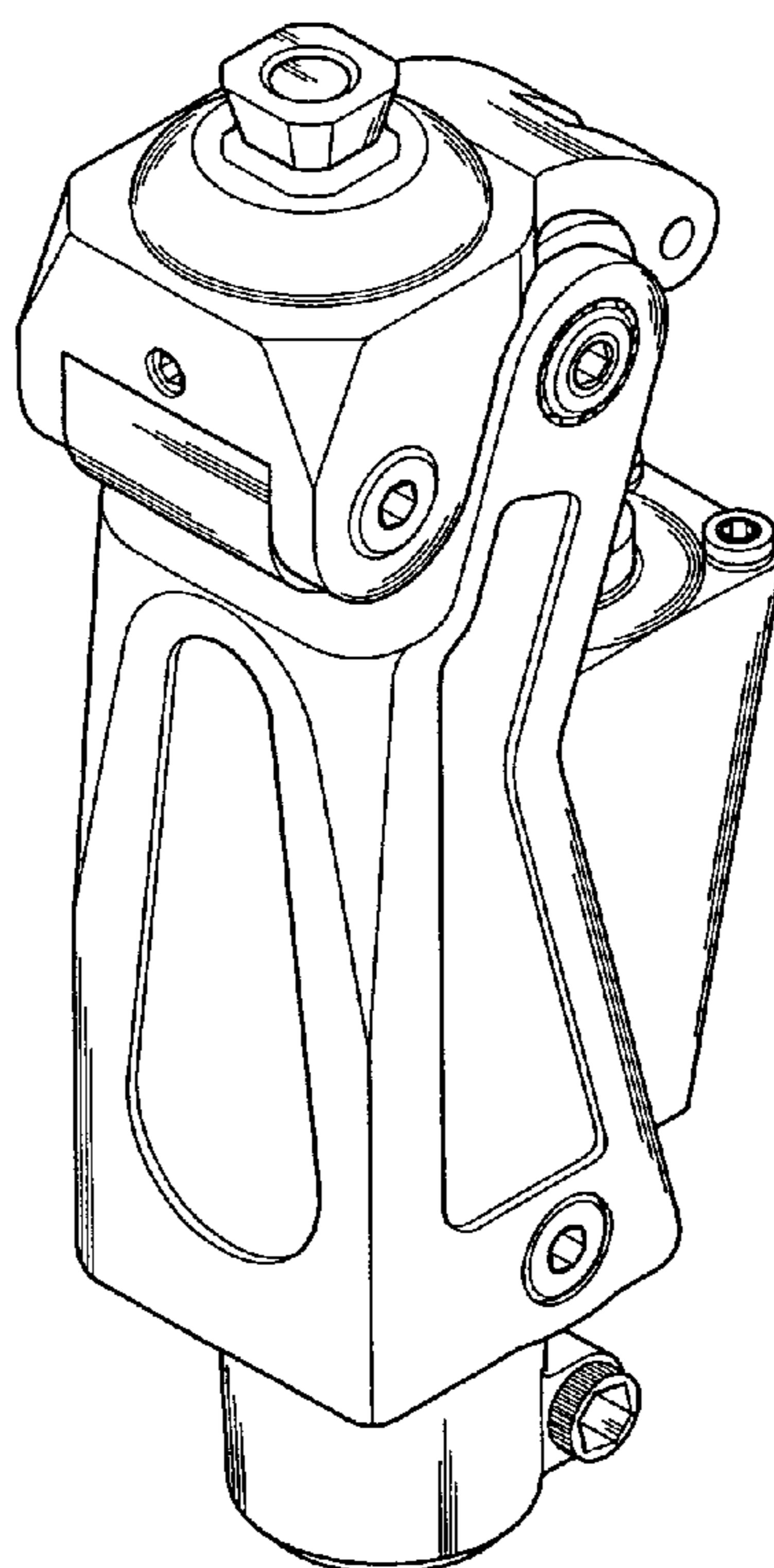
FIG. 4 is a left elevational view thereof;

FIG. 5 is a right elevational view thereof;

FIG. 6 is a top view thereof; and,

FIG. 7 is a bottom view.

1 Claim, 7 Drawing Sheets



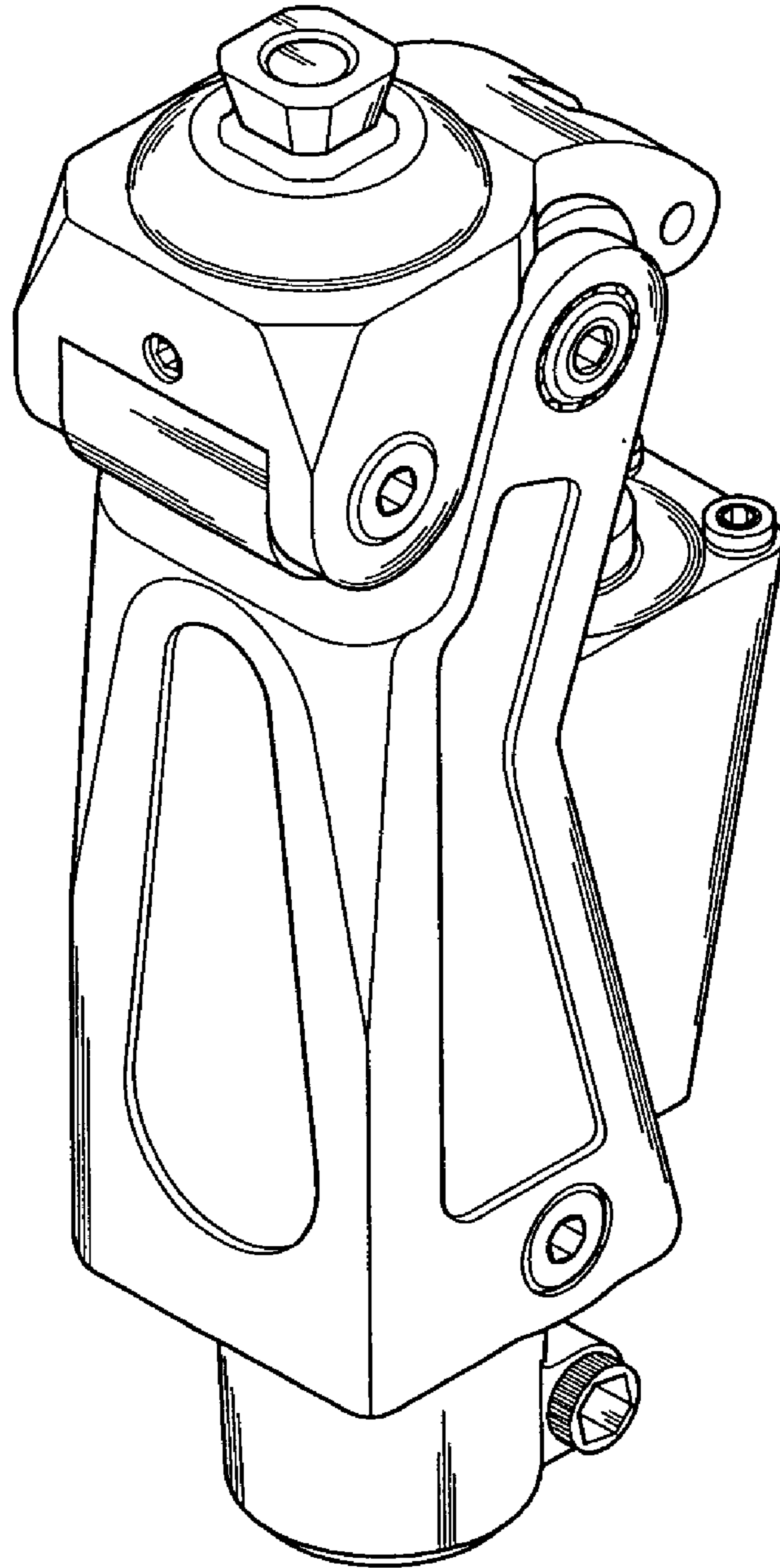


FIG. 1

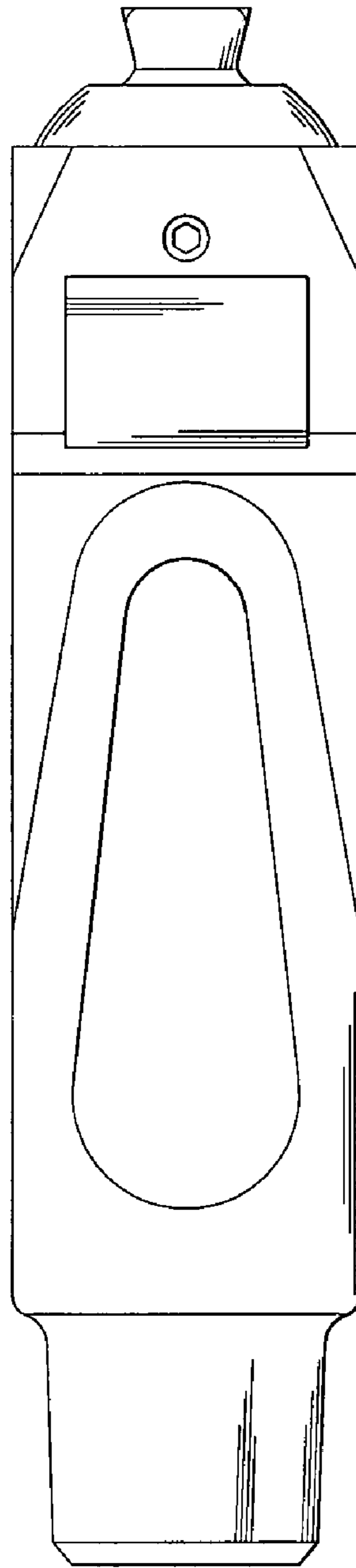


FIG. 2

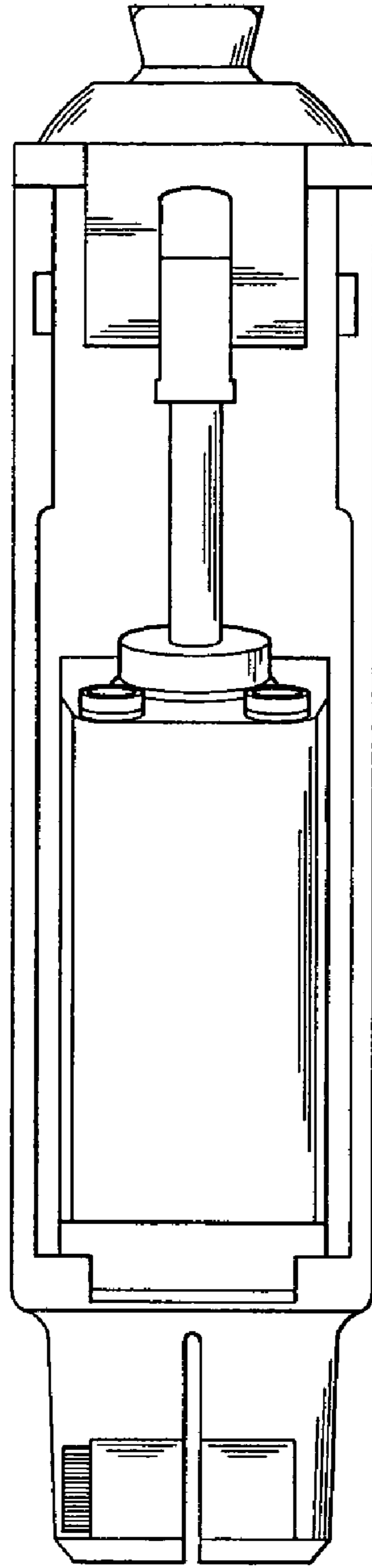


FIG. 3

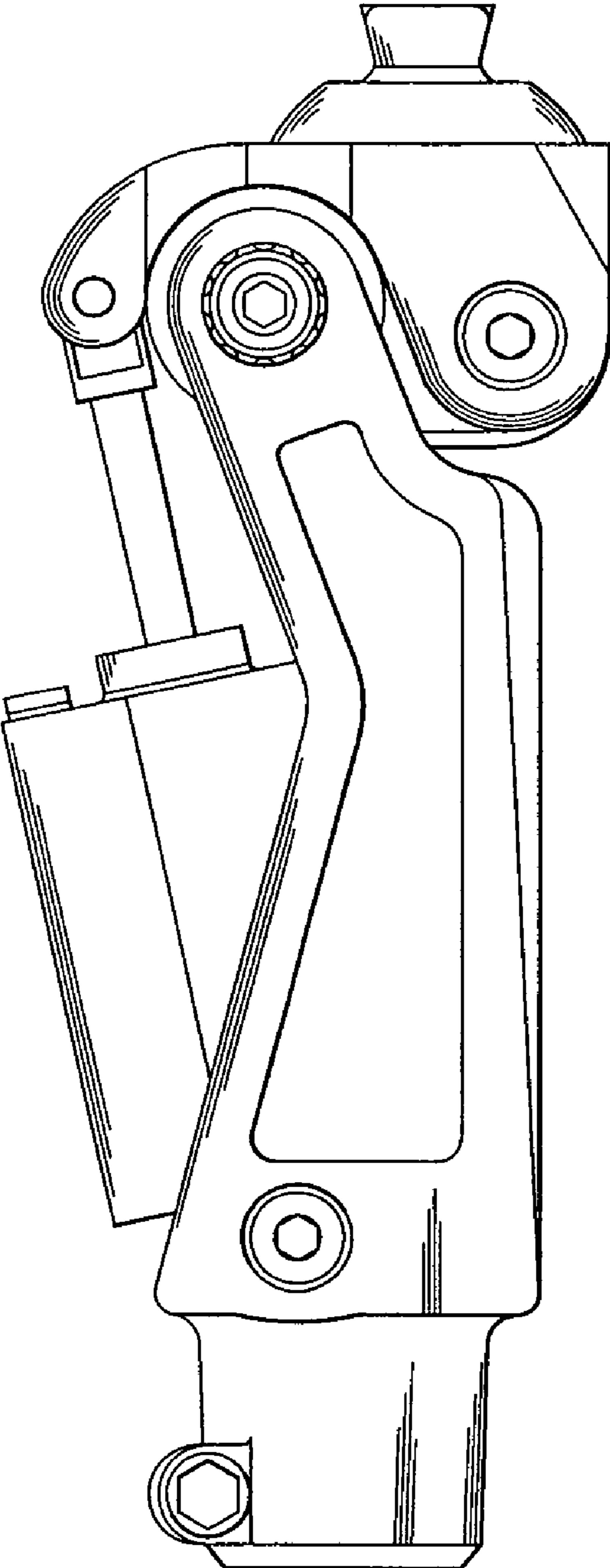


FIG. 4

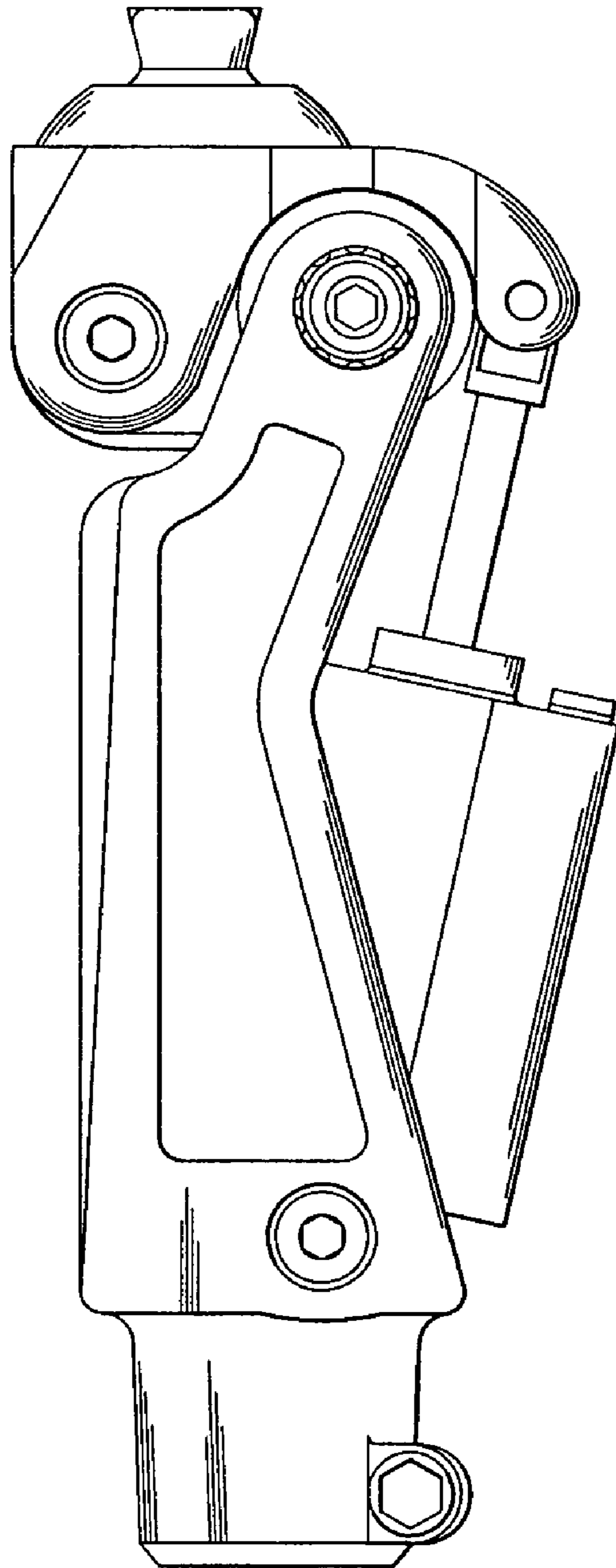


FIG. 5

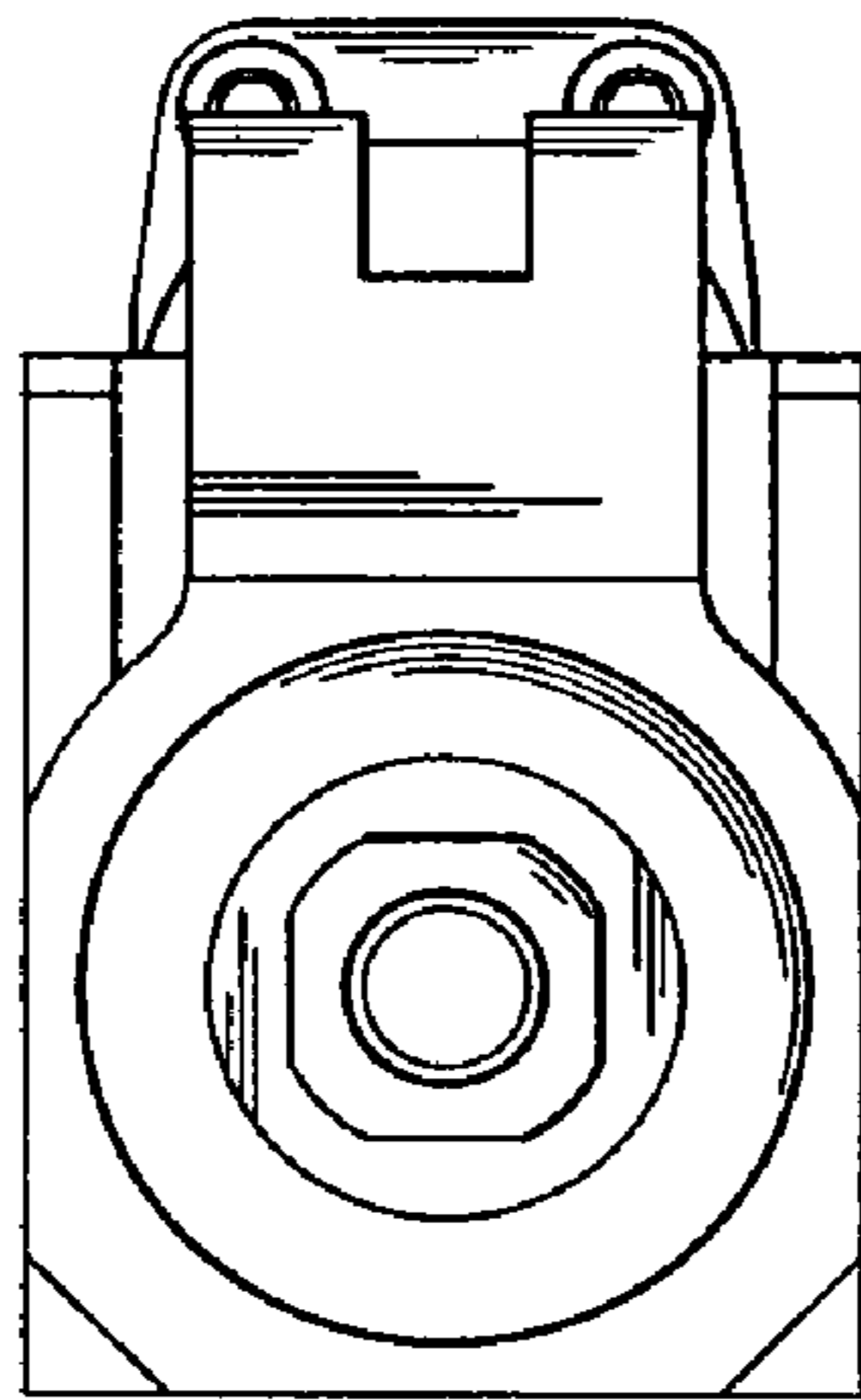


FIG. 6

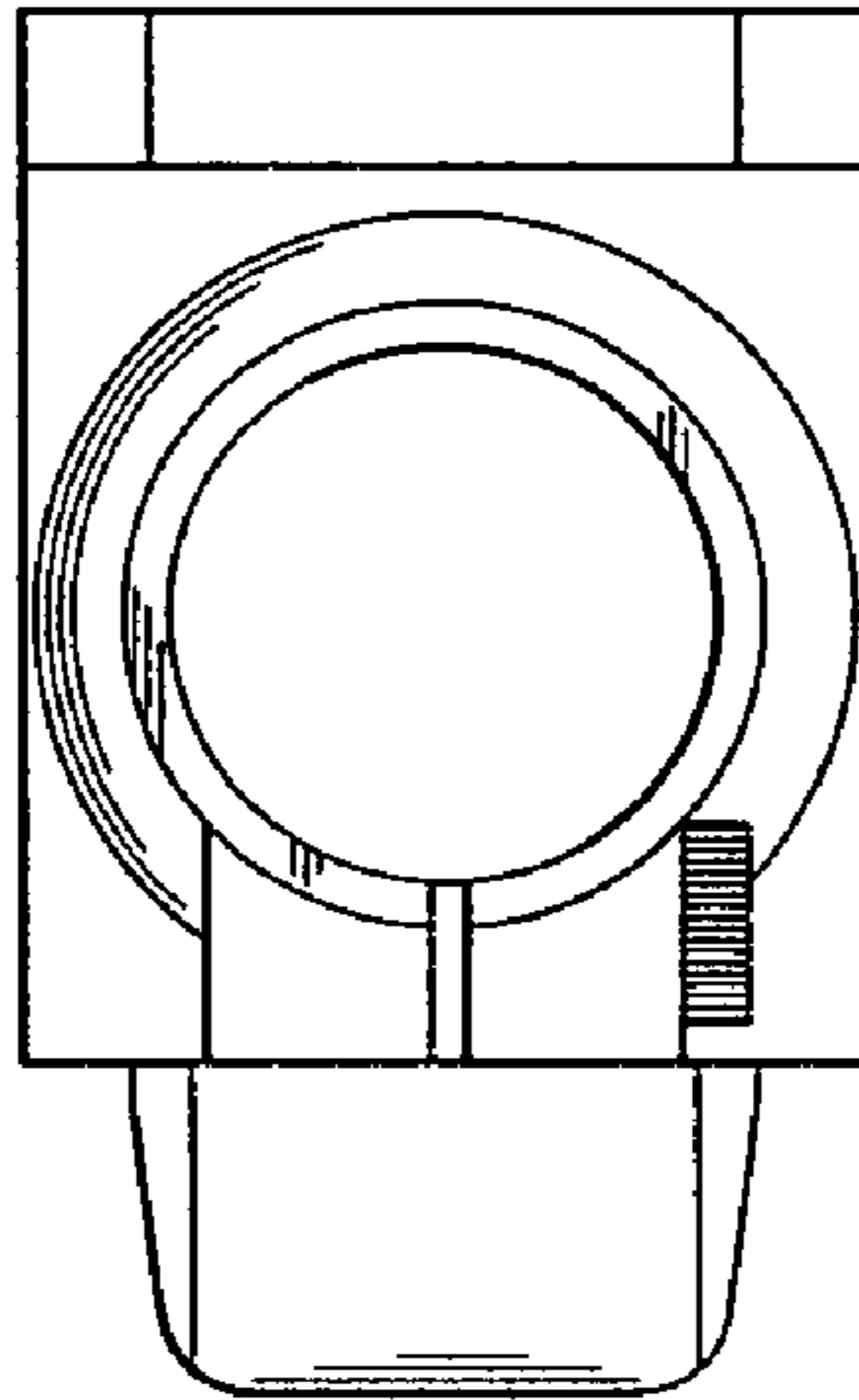


FIG. 7