



US00D553737S

(12) **United States Design Patent**  
**Rolfe**

(10) **Patent No.:** **US D553,737 S**  
(45) **Date of Patent:** **\*\* Oct. 23, 2007**

(54) **NEEDLE REMOVER**

WO WO 91/08786 6/1991

(75) Inventor: **Steven Mark Guy Rolfe**, Bicester (GB)

**OTHER PUBLICATIONS**

(73) Assignee: **Owen Mumford, Ltd.** (GB)

Autopen™ Owen Mumford Ltd. Of Woodstock, UK, one page  
(May 7, 2007) <http://www.owenmumford.com>.

(\*\*) Term: **14 Years**

\* cited by examiner

(21) Appl. No.: **29/240,920**

*Primary Examiner*—Louis S. Zarfes  
*Assistant Examiner*—Eric L. Goodman

(22) Filed: **Oct. 20, 2005**

(74) *Attorney, Agent, or Firm*—Kilpatrick Stockton LLP

(30) **Foreign Application Priority Data**

(57) **CLAIM**

Apr. 27, 2005 (WO) ..... PCT/GB2005/050058

The new and original design for a needle remover, as shown and described.

(51) **LOC (8) Cl.** ..... **24-02**

(52) **U.S. Cl.** ..... **D24/130**

(58) **Field of Classification Search** ..... D6/372;  
D8/346, 349, 373, 394; D24/130, 190; 604/27,  
604/36, 110, 187, 190, 192  
See application file for complete search history.

**DESCRIPTION**

FIG. 1 is a rear and right side perspective view (unfolded) of the new design for a needle remover;

FIG. 2 is a rear and left side perspective view (folded) of the new design for a needle remover.

FIG. 3 is a rear and left side perspective view (unfolded) of the new design for a needle remover;

FIG. 4 is a rear and right side perspective view (folded) of the new design for a needle remover.

FIG. 5 is a left side elevational view (unfolded) of the new design for a needle remover;

FIG. 6 is a top plan view (unfolded) of the new design for a needle remover;

FIG. 7 is a right side elevational view (unfolded) of the new design for a needle remover;

FIG. 8 is a bottom plan view (unfolded) of the new design for a needle remover; and,

FIG. 9 is a right side elevational view (folded) of the new design for a needle remover.

The dashed lines on the needle remover are provided for illustrative purposes only and is not intended to be a part of the invention.

(56) **References Cited**

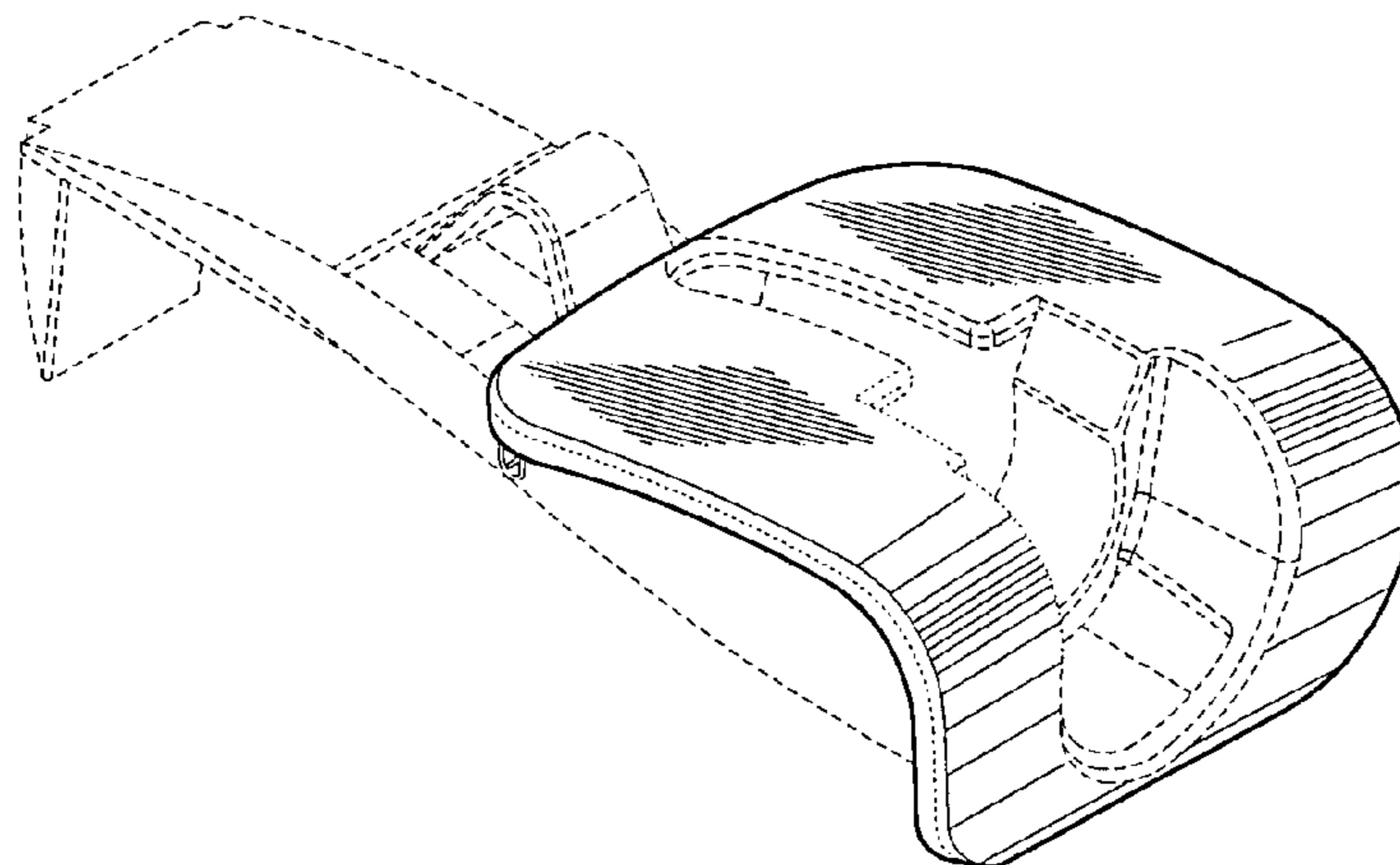
**U.S. PATENT DOCUMENTS**

D281,383	S	*	11/1985	Beach	.....	D6/572
4,917,243	A		4/1990	Abrams et al.		
5,046,612	A		9/1991	Mostarda et al.		
D322,211	S	*	12/1991	Gary	.....	D8/373
D327,214	S	*	6/1992	Stuart	.....	D8/373
D327,321	S	*	6/1992	Russell et al.	.....	D24/130
5,242,421	A		9/1993	Chan		
5,439,453	A		8/1995	Kashanchi		
D362,064	S	*	9/1995	Smick	.....	D24/140
5,472,433	A		12/1995	Suzuki		
5,527,296	A		6/1996	Kashanchi		
D421,214	S	*	2/2000	Koros et al.	.....	D8/394
D446,107	S	*	8/2001	Carter	.....	D8/346
D470,391	S	*	2/2003	Adams	.....	D8/349
6,755,805	B1	*	6/2004	Reid	.....	604/110
D516,218	S	*	2/2006	Larocca	.....	D24/190
D529,792	S	*	10/2006	Klein et al.	.....	D8/373

**FOREIGN PATENT DOCUMENTS**

FR 2 649 893 1/1991

**1 Claim, 5 Drawing Sheets**



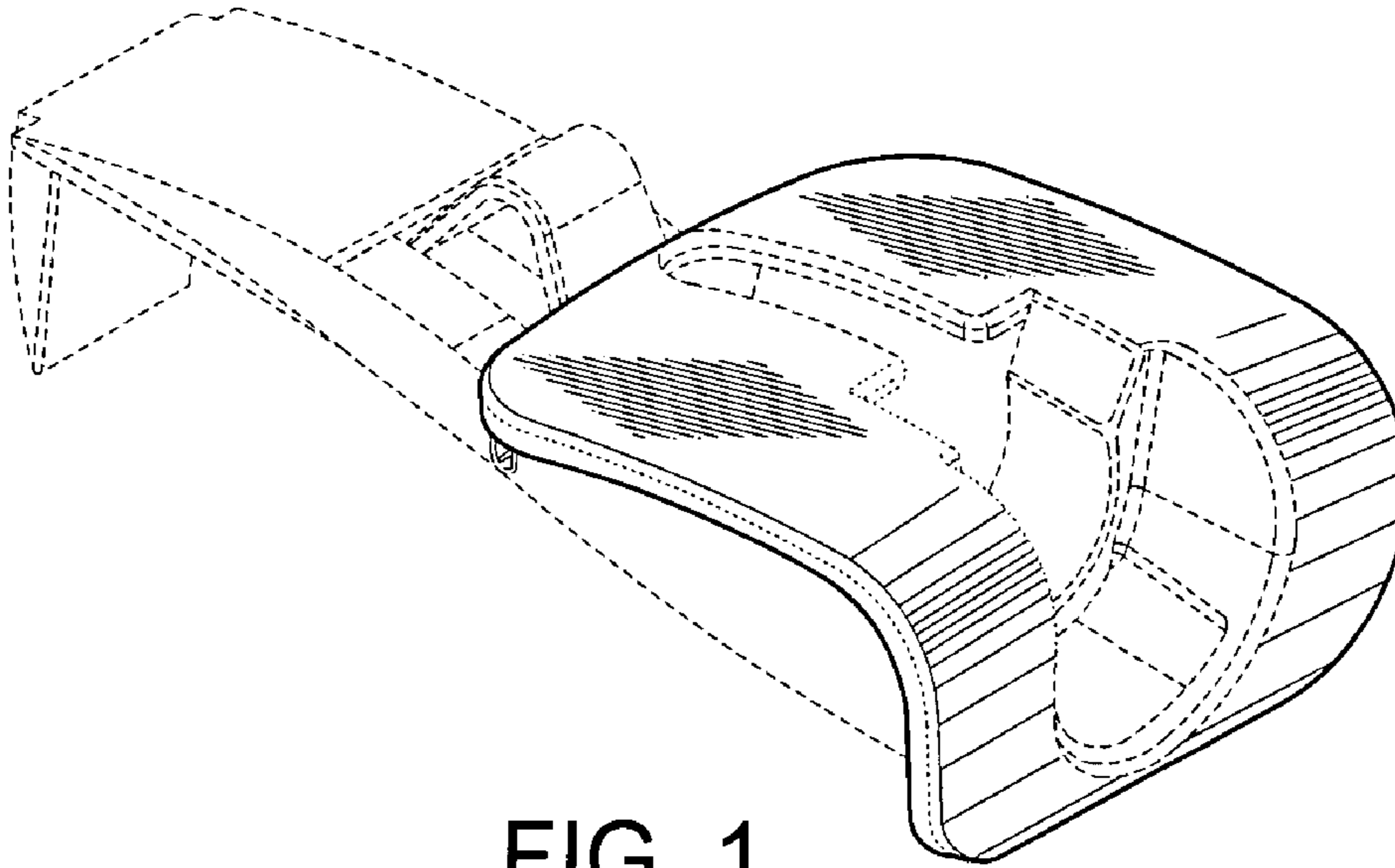


FIG. 1

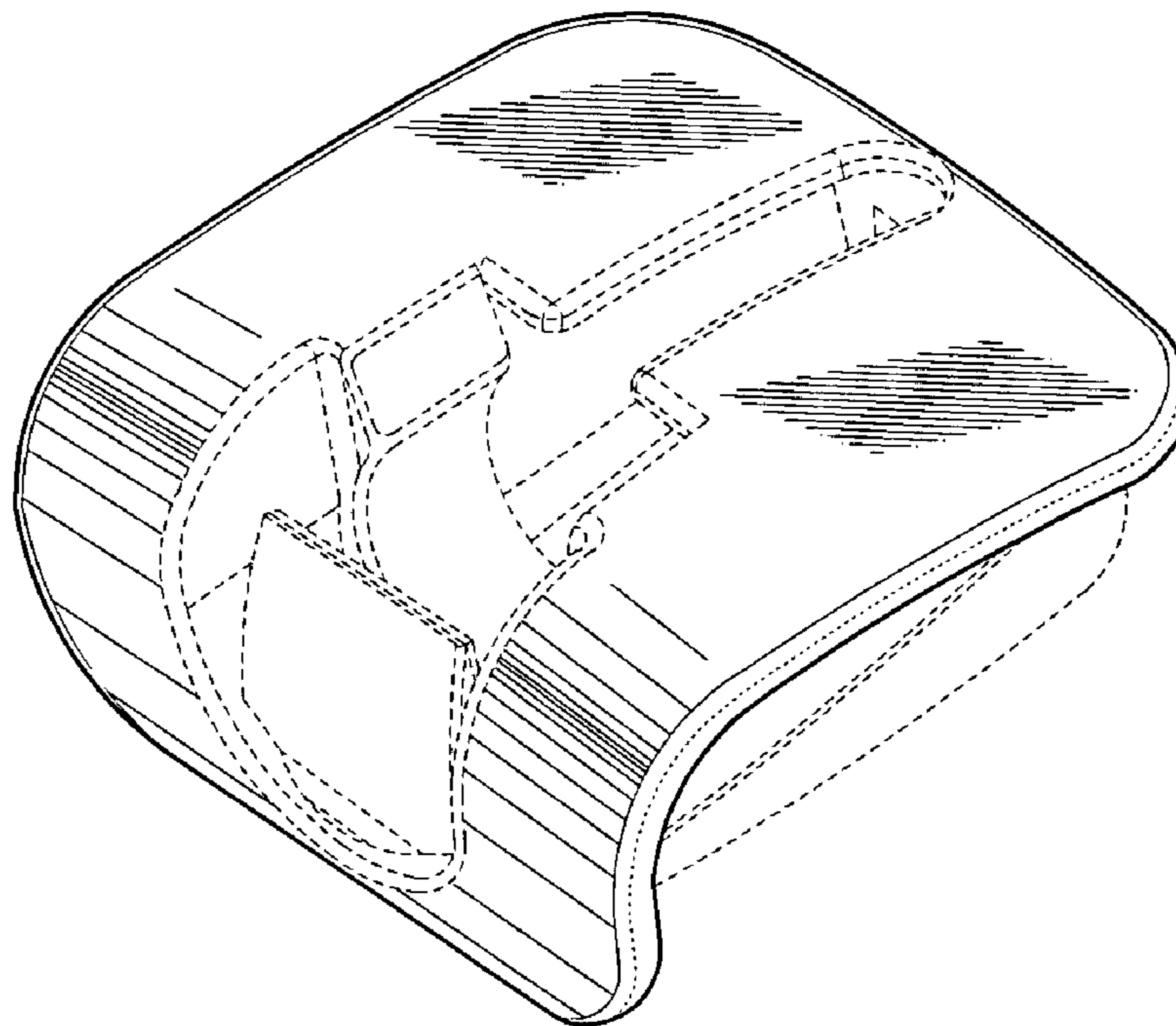


FIG. 2

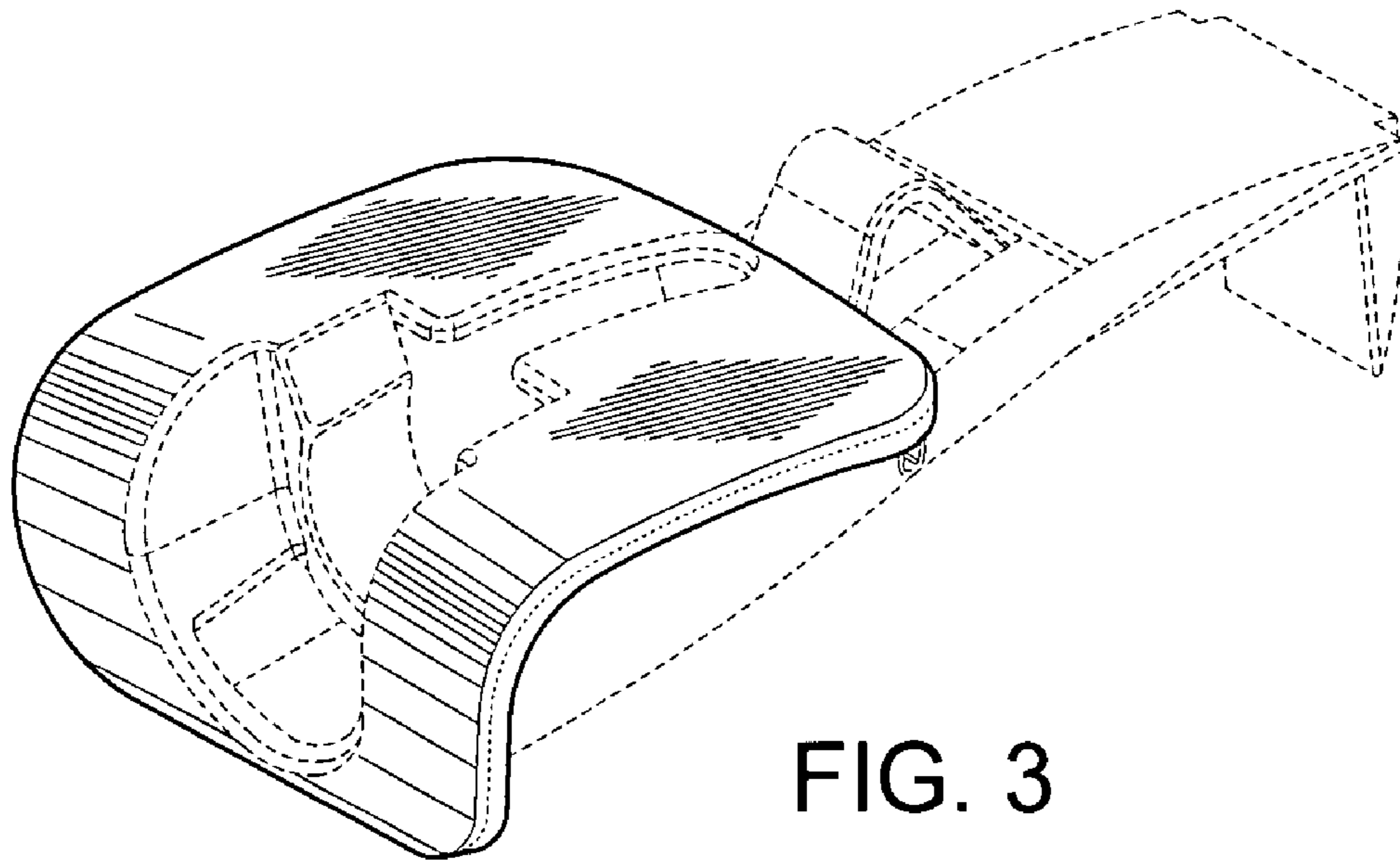


FIG. 3

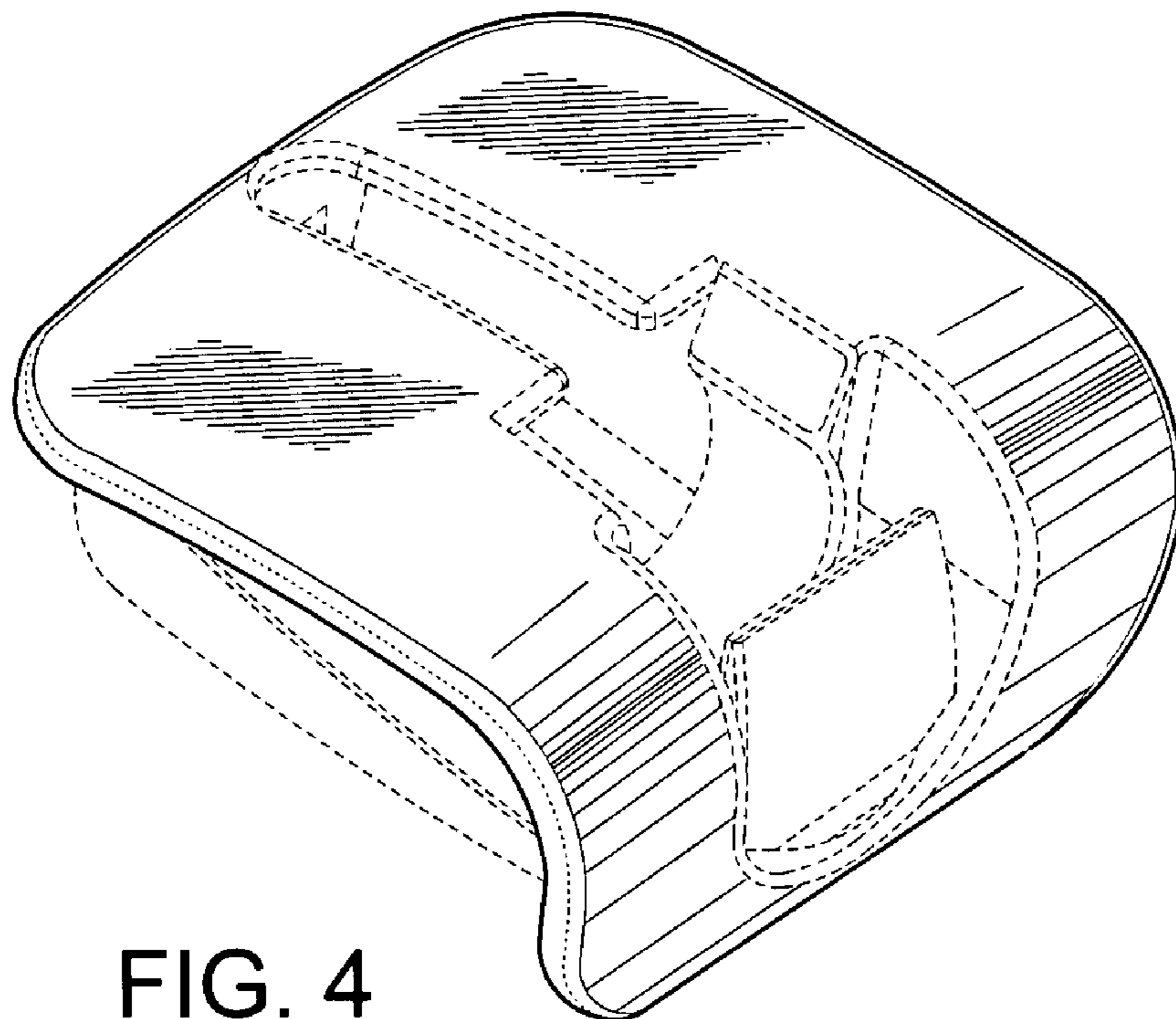


FIG. 4

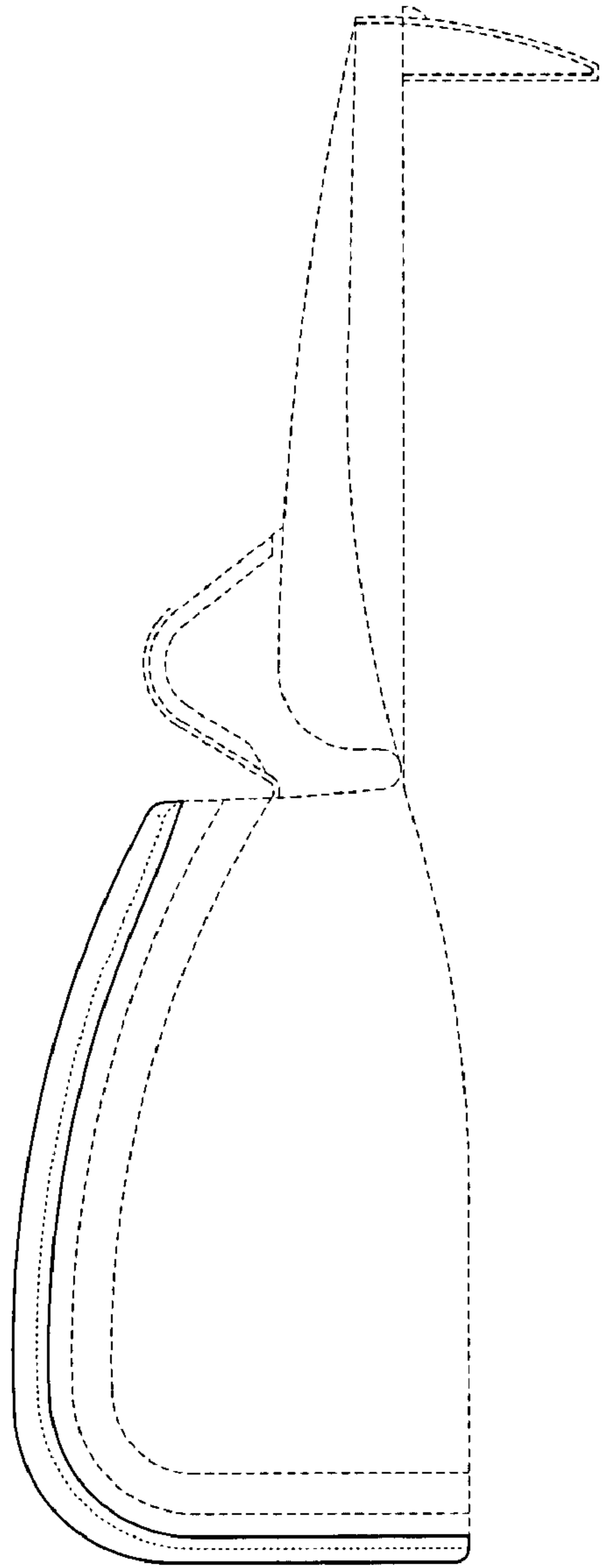


FIG. 5

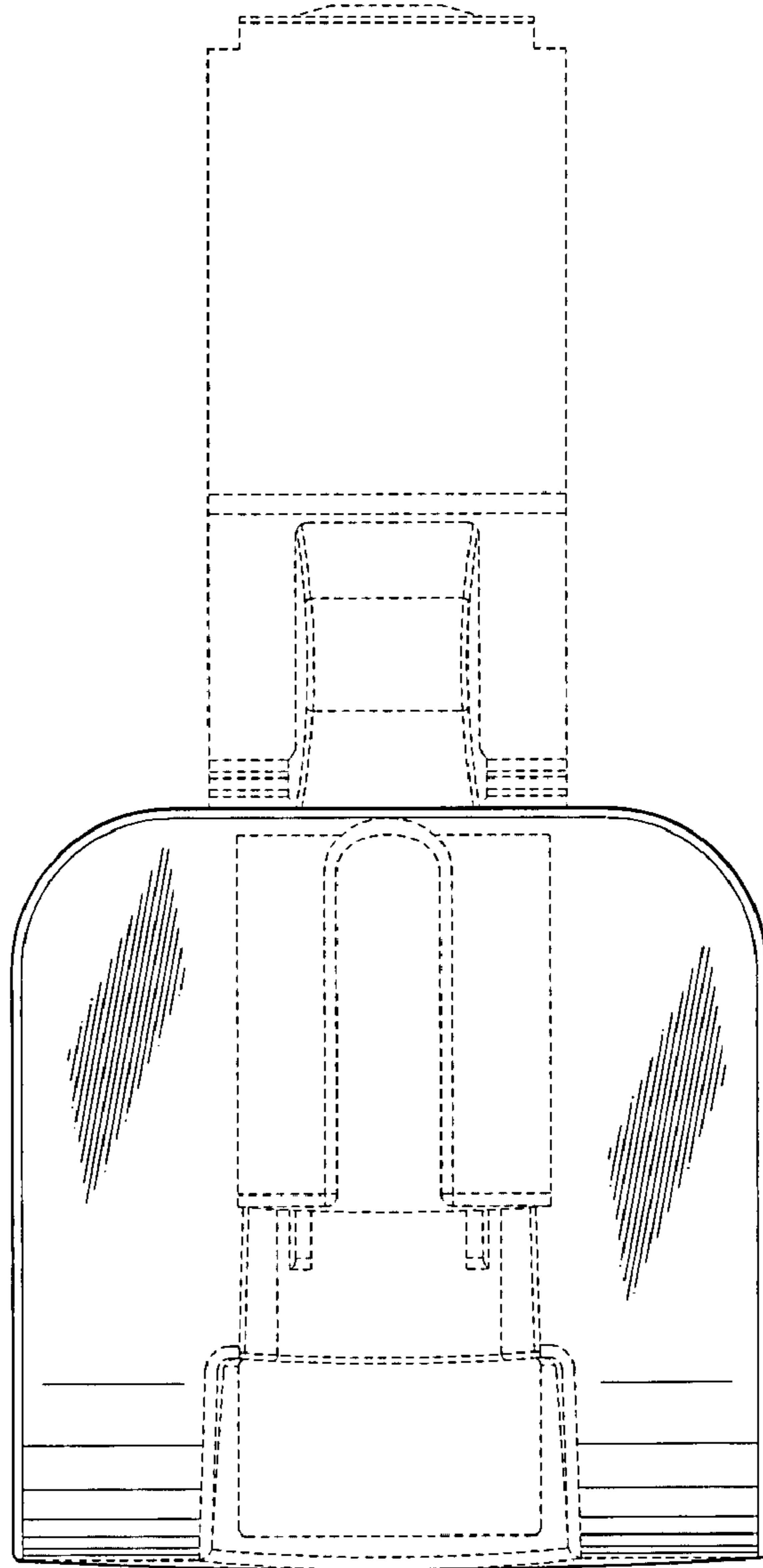


FIG. 6

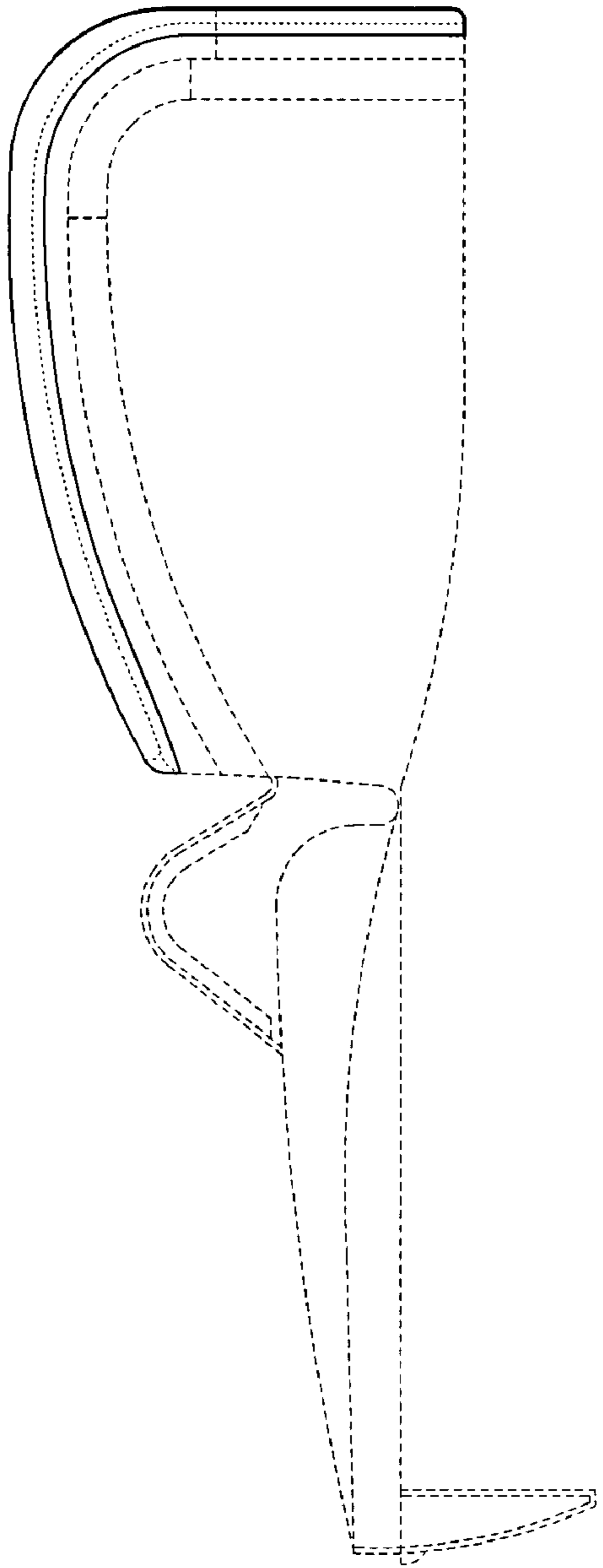


FIG. 7

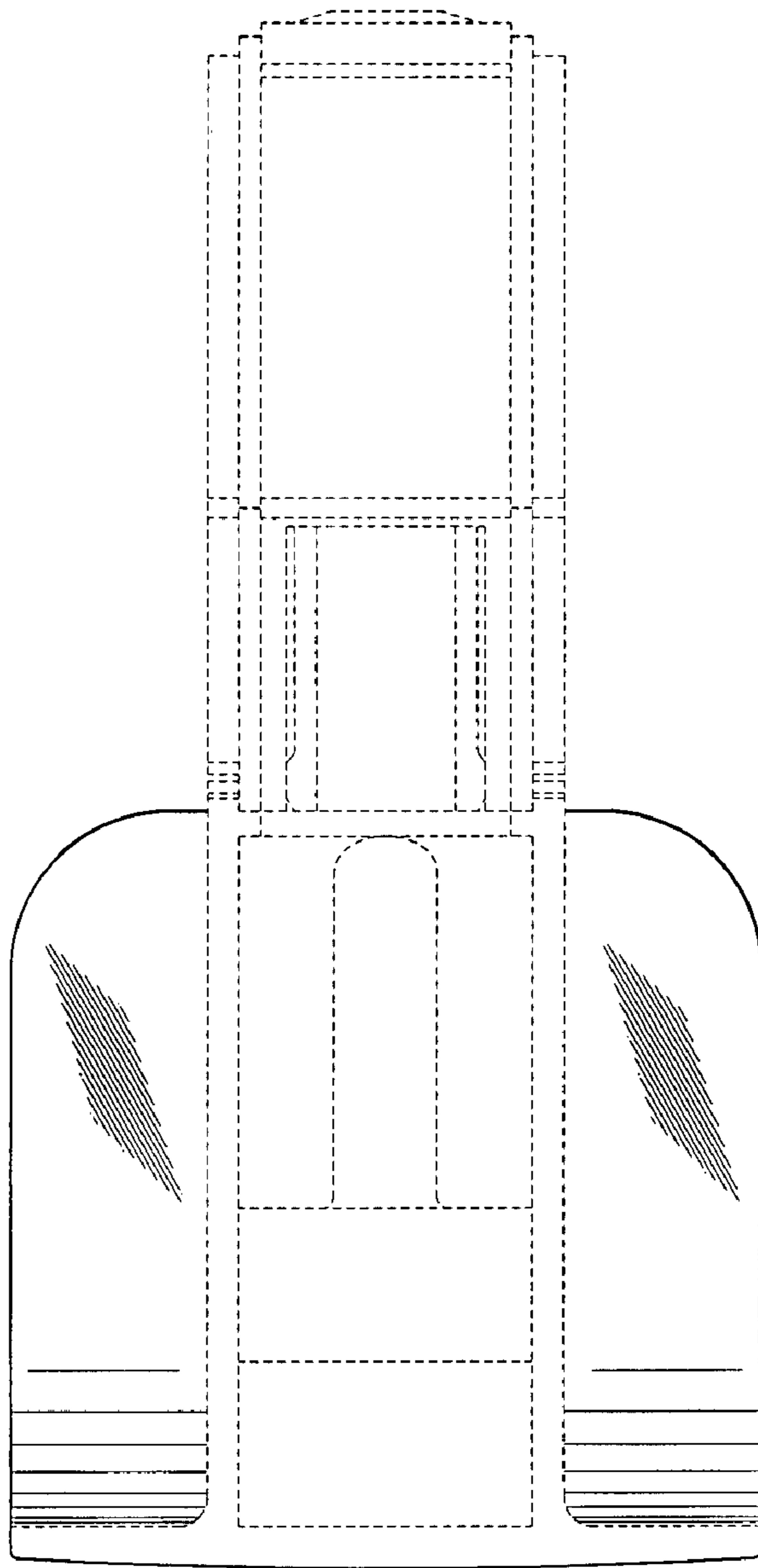


FIG. 8

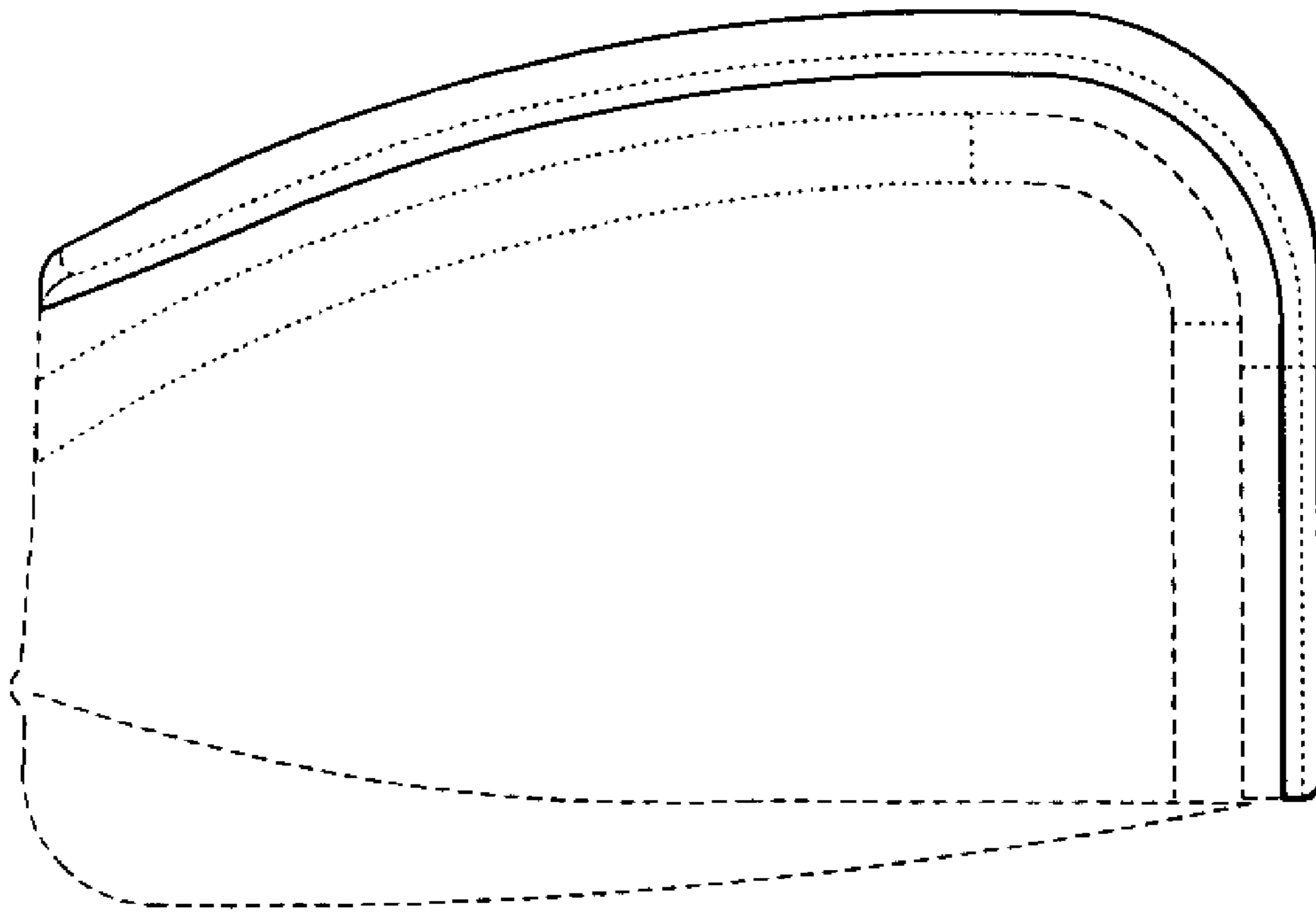


FIG. 9