

US00D553731S

(12) **United States Design Patent** (10) **Patent No.:** **US D553,731 S**  
**Bucher et al.** (45) **Date of Patent:** **\*\* Oct. 23, 2007**

(54) **COMBINED CEILING FAN AND LIGHT**

D485,347 S 1/2004 Bucher et al. .... D23/377

(75) Inventors: **John C. Bucher**, Hillsboro Beach, FL (US); **Scott Searle**, Wan Chai (HK); **Tien S. Lowe**, Pembroke Pines, FL (US)

\* cited by examiner

*Primary Examiner*—Lisa Lichtenstein  
(74) *Attorney, Agent, or Firm*—Brian S. Steinberger; Law Offices of Brian S. Steinberger, P.A.

(73) Assignee: **King of Fans, Inc.**, Ft. Lauderdale, FL (US)

(57) **CLAIM**

(\*\*) Term: **14 Years**

The ornamental design for a combined ceiling fan and light, as shown and described.

(21) Appl. No.: **29/226,271**

**DESCRIPTION**

(22) Filed: **Mar. 25, 2005**

(51) **LOC (8) Cl.** ..... **23-04**

(52) **U.S. Cl.** ..... **D23/411**

(58) **Field of Classification Search** ..... D23/377,  
D23/379, 385, 411, 413; D26/59, 51, 81–86,  
D26/88, 72; 416/5

See application file for complete search history.

FIG. 1 is a perspective bottom, front side view of a combined ceiling fan and light.

FIG. 2 is a perspective upper front side view of the first embodiment design of FIG. 1.

FIG. 3 is front side view of the first embodiment design of FIG. 1.

FIG. 4 is a bottom view of the first embodiment design of FIG. 1.

FIG. 5 is a top view of the first embodiment design of FIG. 1.

FIG. 6 is a reduced lower front side perspective view of a second embodiment design of the combined ceiling fan and light of FIGS. 1–5.

FIG. 7 is a reduced upper front side perspective view of the second embodiment design of FIG. 6.

FIG. 8 is a reduced front side view of the second embodiment design of FIG. 6.

FIG. 9 is a reduced bottom view of the second embodiment design of FIG. 6; and,

FIG. 10 is a reduced top view of the second embodiment design of FIG. 6.

The broken lines showing the cylindrical pipe between the ceiling canopy and the motor, and the ceiling canopy in FIGS. 1-3, 5-8 and 10 are for illustrative purposes and form no part of the claimed design. In addition, the broken lines showing fan blades and ceiling mounting cap in FIGS. 6-10 are for illustrative purposes and form no part of the claimed design.

(56) **References Cited**

**U.S. PATENT DOCUMENTS**

D364,224 S	11/1995	Wang	.....	D23/377
D367,321 S	* 2/1996	Holbrook	.....	D23/377
D371,838 S	7/1996	Davis, Jr. et al.	.....	D23/411
D378,404 S	3/1997	Jaspers-Fayer	.....	D23/377
D402,026 S	12/1998	Chuang et al.	.....	D23/377
D408,518 S	4/1999	Liu	.....	D23/377
D412,571 S	8/1999	Lee	.....	D23/377
D414,856 S	10/1999	Zuege	.....	D23/377
D421,799 S	3/2000	Zuege	.....	D23/411
D422,072 S	3/2000	Blateri	.....	D23/377
D443,352 S	6/2001	Lantz	.....	D23/413
D448,840 S	* 10/2001	Gajewski	.....	D23/377
D451,997 S	12/2001	Schwartz	.....	D23/413
D454,636 S	3/2002	Lantz	.....	D23/413
D469,950 S	2/2003	Scalise et al.	.....	D3/3
D480,471 S	10/2003	Hsieh	.....	D23/411
D484,233 S	12/2003	Bucher et al.	.....	D23/377
D485,345 S	1/2004	Bucher	.....	D23/377
D485,346 S	1/2004	Bucher et al.	.....	D23/377

**1 Claim, 10 Drawing Sheets**

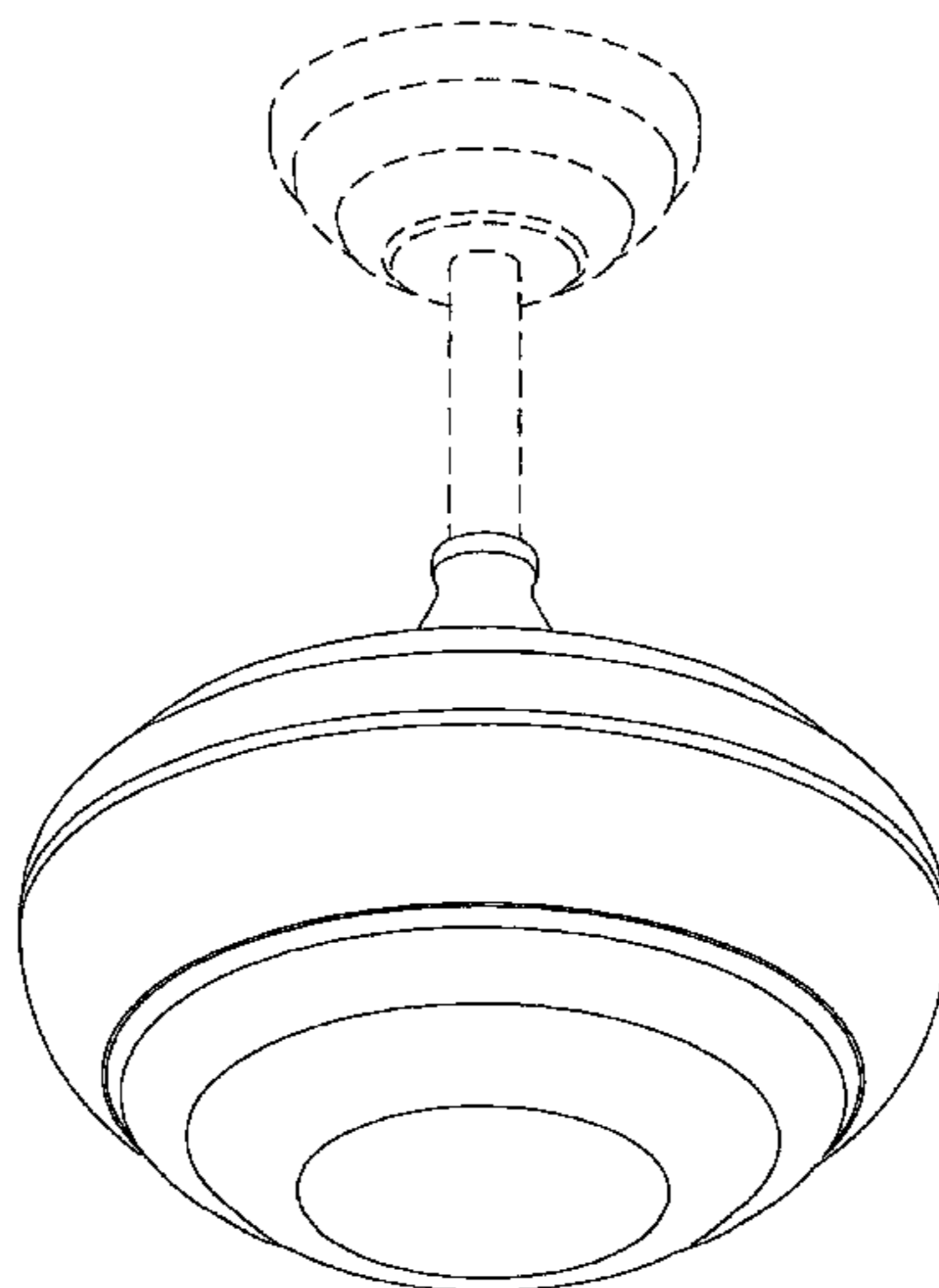


Fig.1

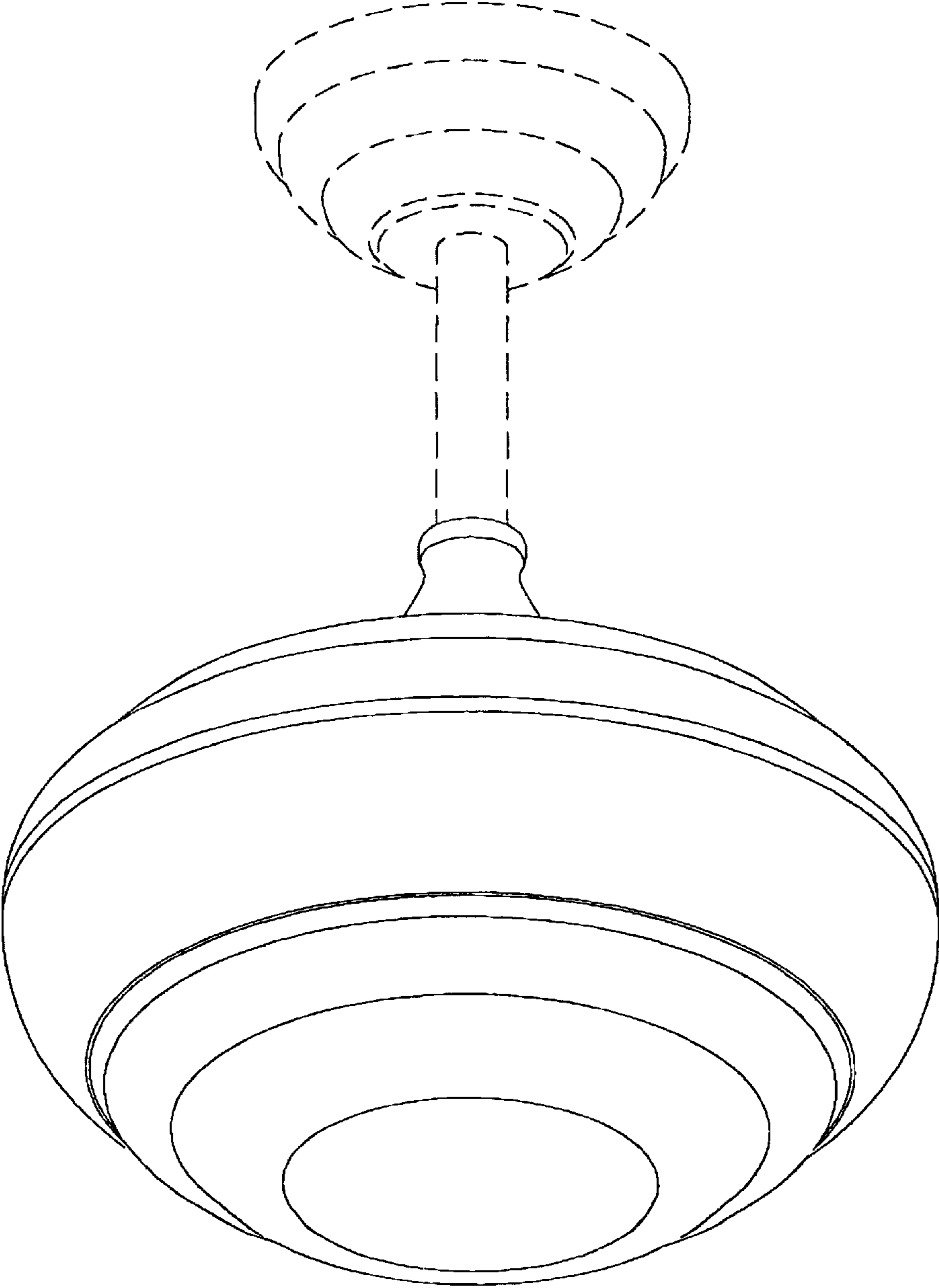


Fig.2

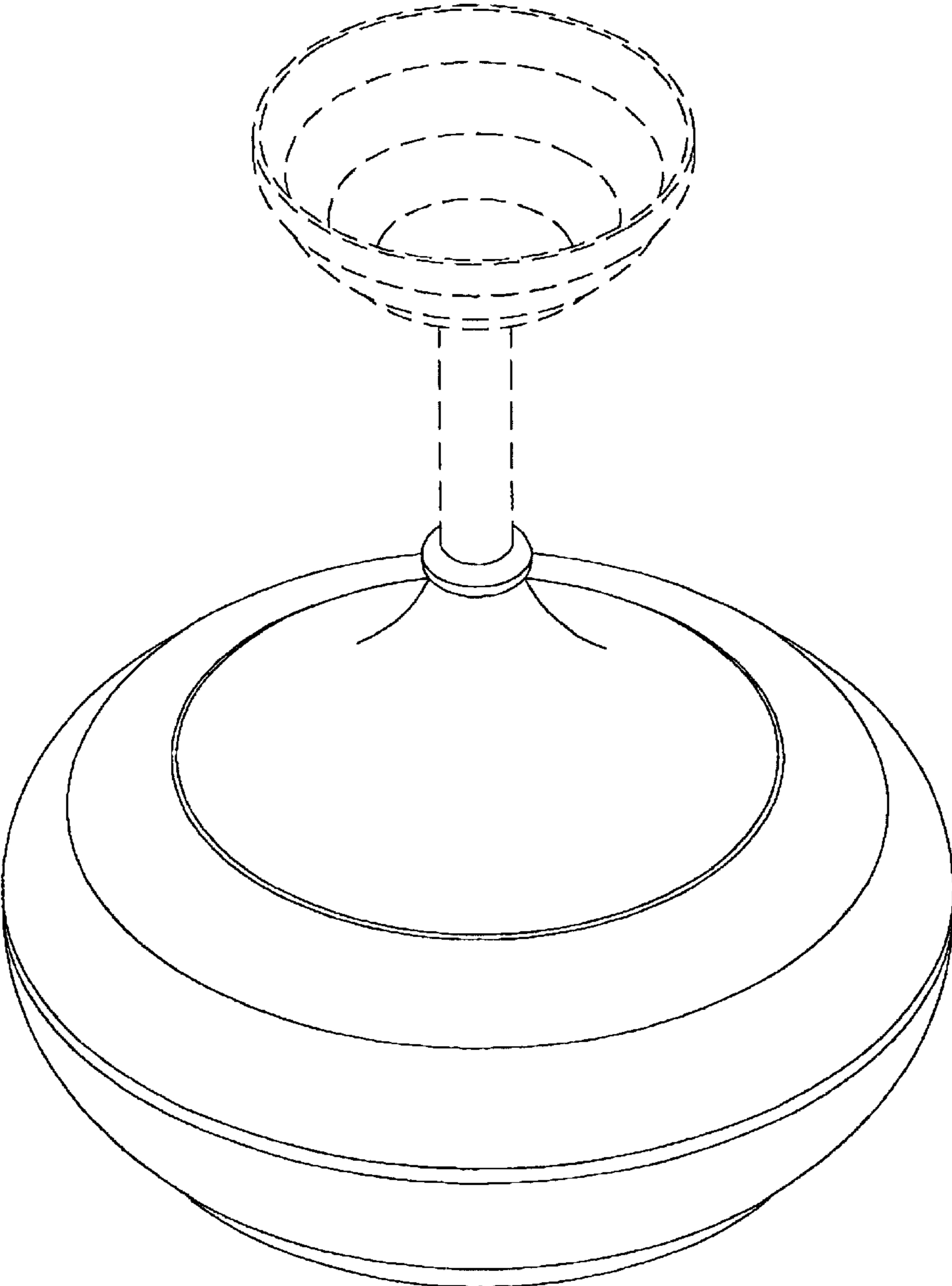


Fig.3

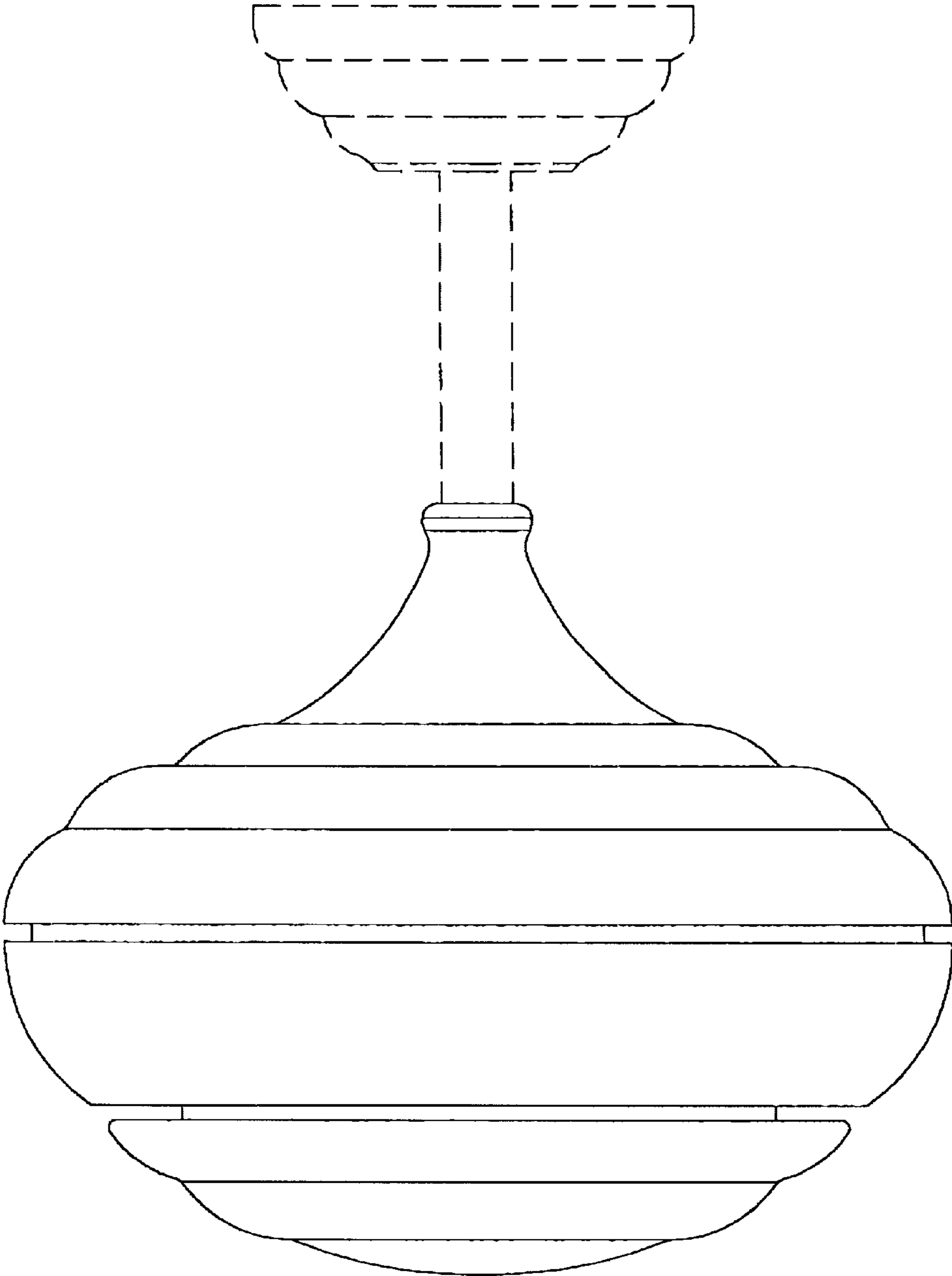
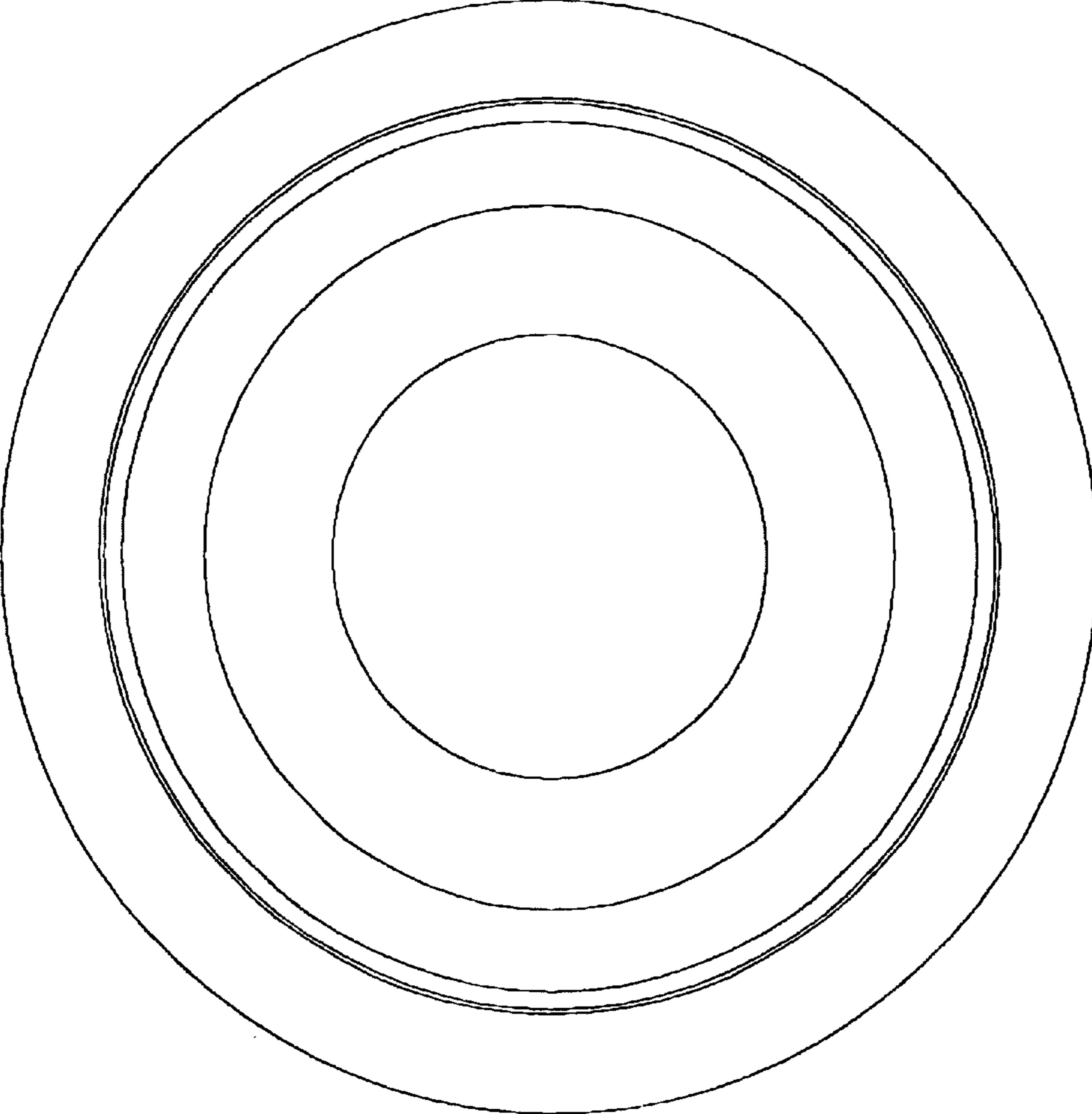


Fig.4



**Fig.5**

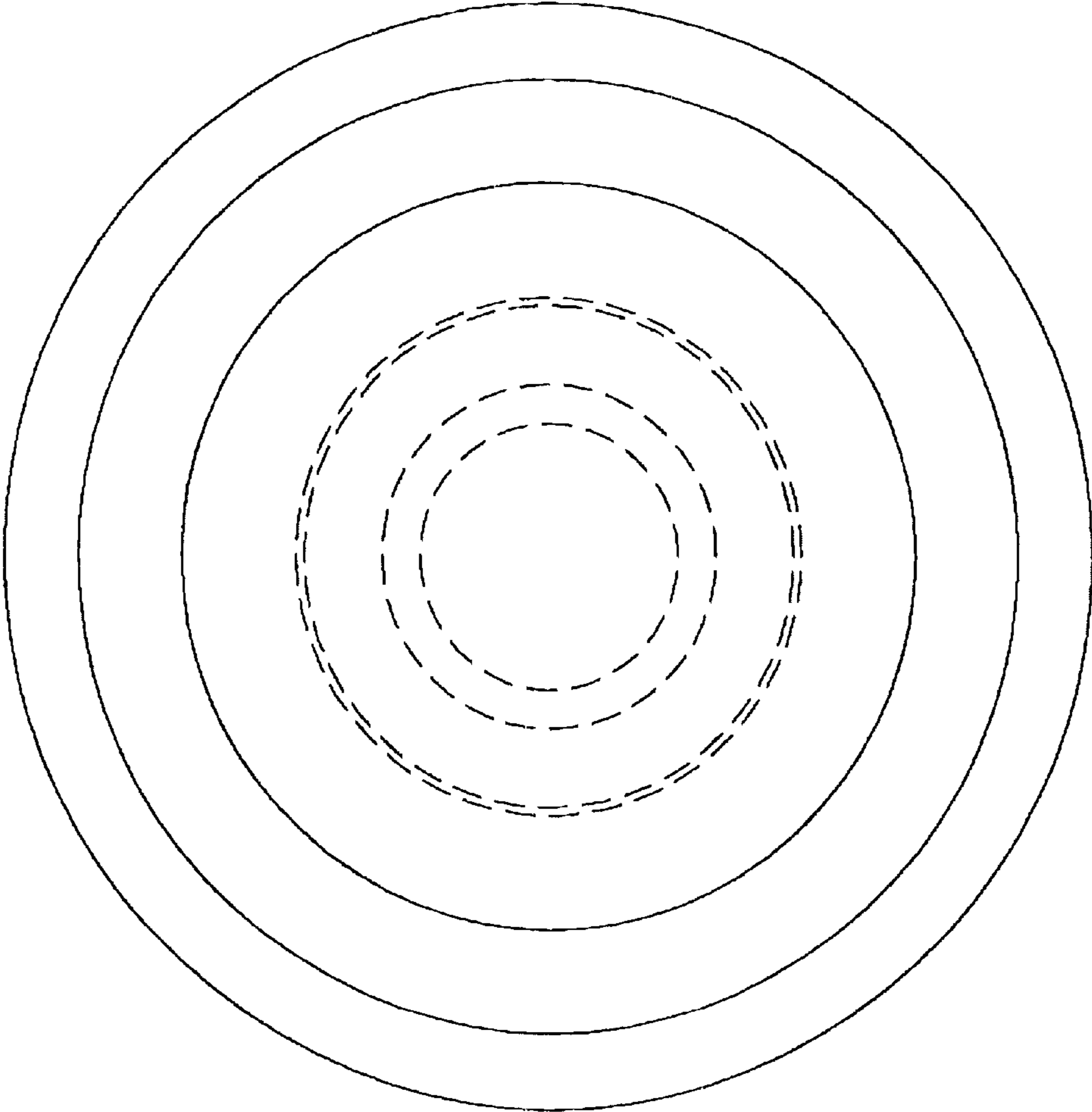


Fig.6

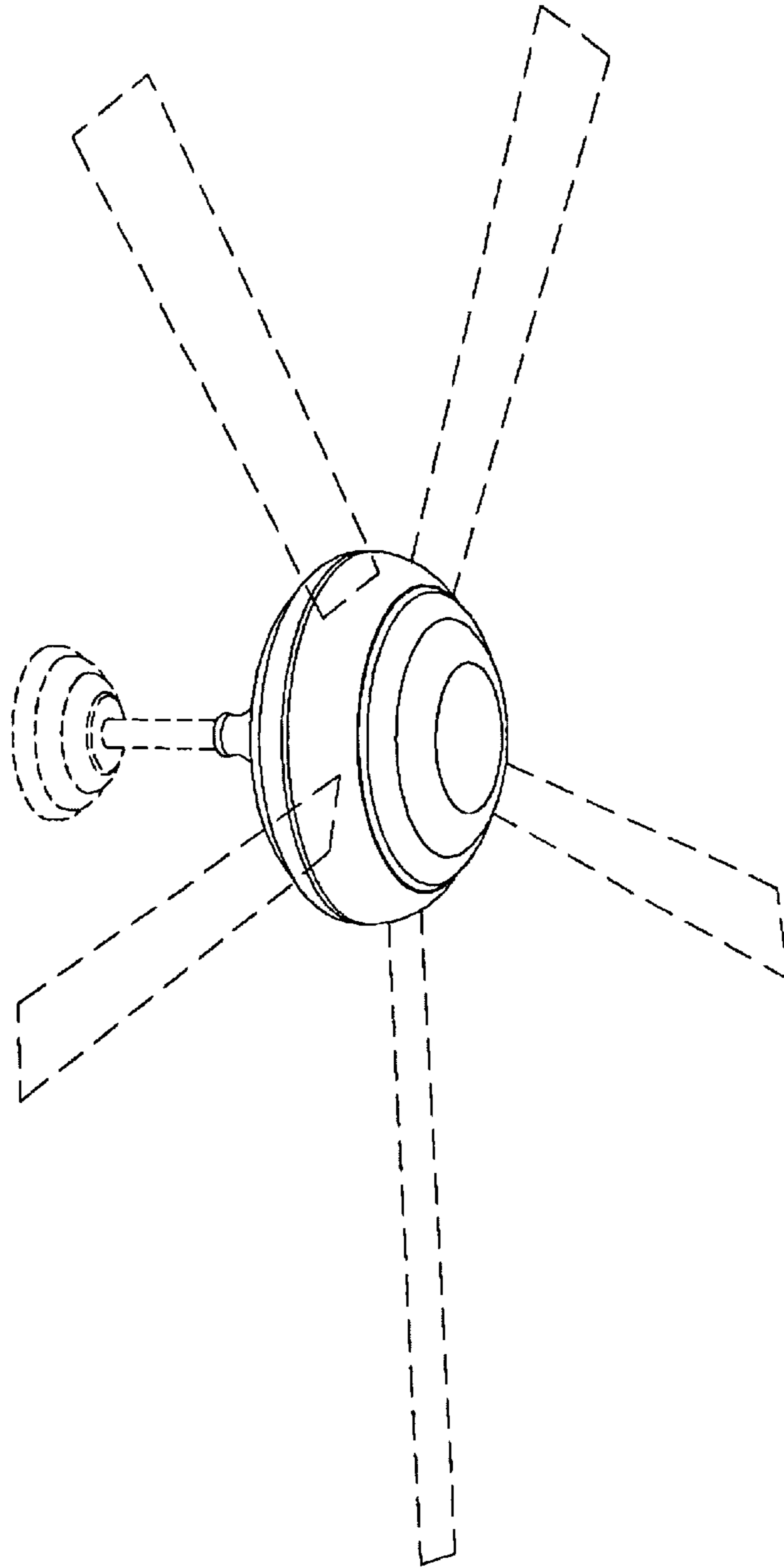


Fig. 7

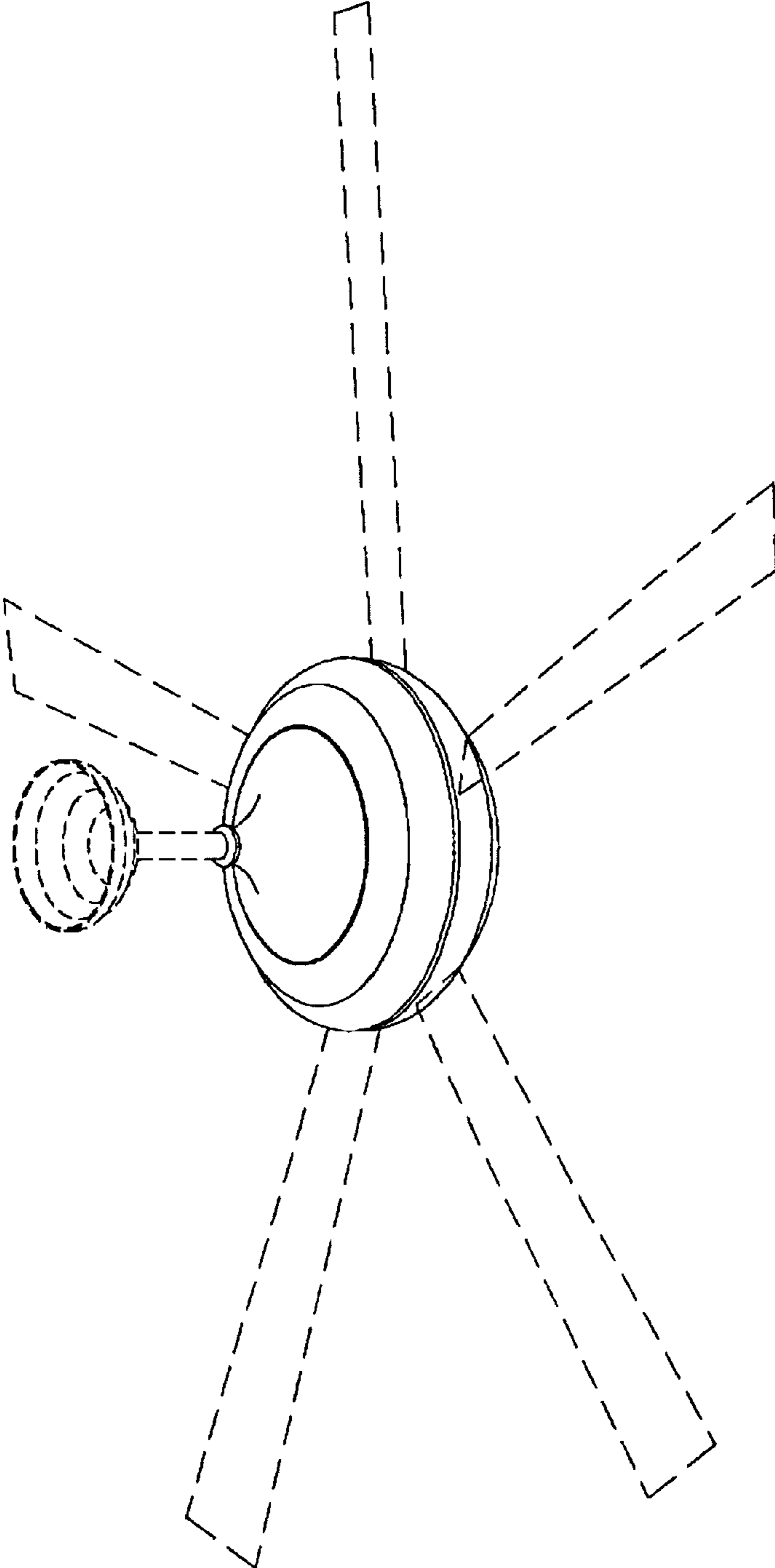




Fig. 8

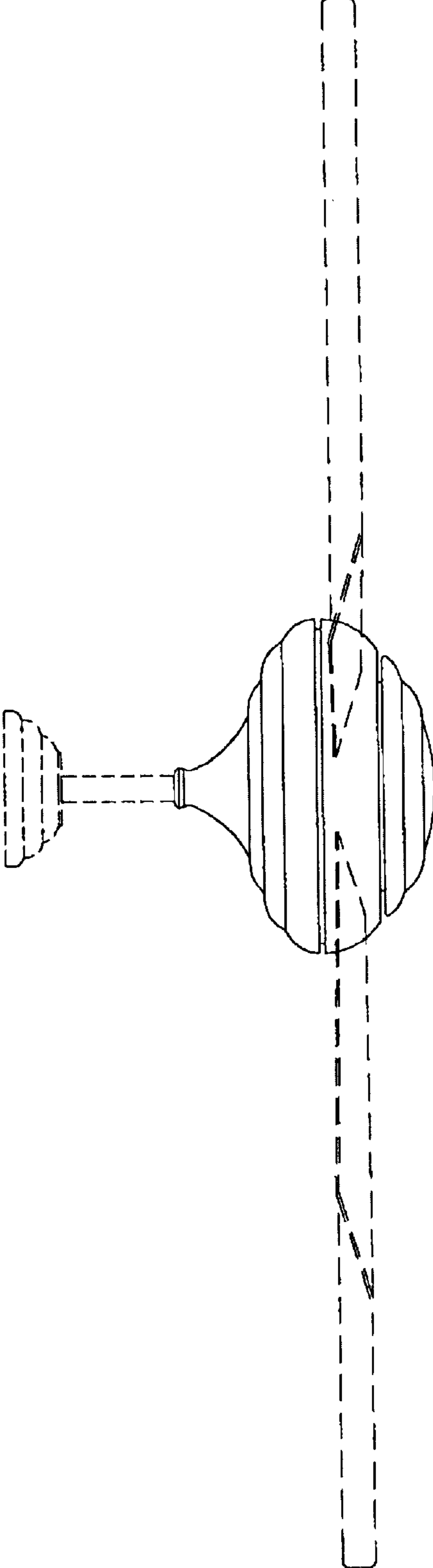


Fig.9

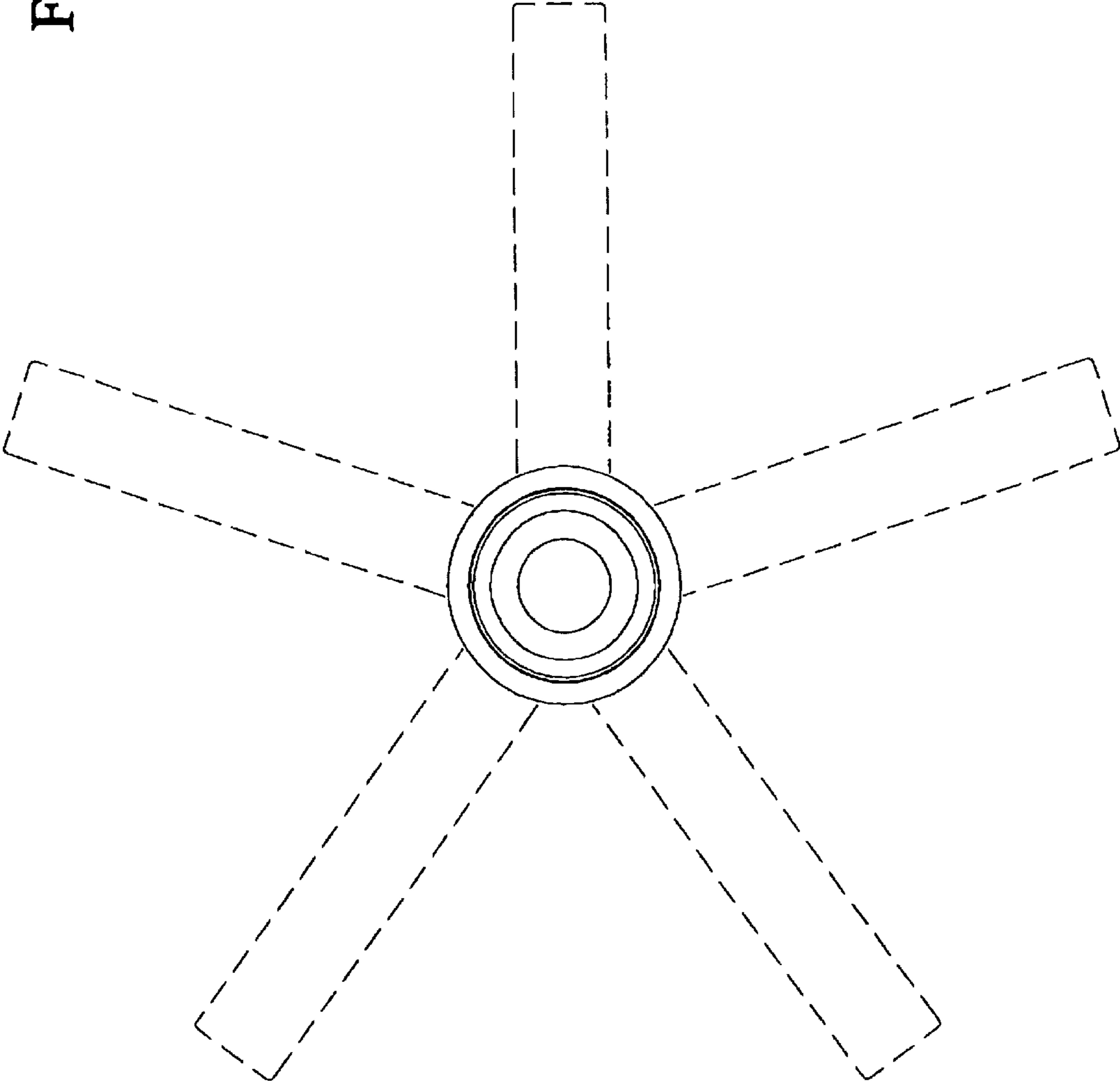


Fig.10

