



US00D553727S

(12) **United States Design Patent**
Kato et al.

(10) **Patent No.:** **US D553,727 S**

(45) **Date of Patent:** **** Oct. 23, 2007**

(54) **AIR-CONDITIONER**

(75) Inventors: **Manabu Kato**, Sakai (JP); **Kaichi Tsuji**, Sakai (JP)

(73) Assignee: **Daikin Industries Ltd.**, Osaka (JP)

(**) Term: **14 Years**

(21) Appl. No.: **29/271,869**

(22) Filed: **Jan. 29, 2007**

(51) **LOC (8) Cl.** **23-04**

(52) **U.S. Cl.** **D23/351**

(58) **Field of Classification Search** D23/351-354;
62/259.1, 259.4, 262-263, 285, 298; 312/236;
165/58; 454/292, 305, 339, 349
See application file for complete search history.

(56) **References Cited**

U.S. PATENT DOCUMENTS

D323,209 S *	1/1992	Fukumoto et al.	D23/351
D331,458 S *	12/1992	Saito et al.	D23/351
D398,974 S *	9/1998	Aihara	D23/351
D401,682 S *	11/1998	Galeazzi et al.	D23/351
D424,672 S *	5/2000	Nanjo	D23/351
D426,292 S *	6/2000	Nanjo	D23/351

D448,462 S *	9/2001	Nanjo	D23/351
D469,173 S *	1/2003	Kawanori et al.	D23/351
D539,887 S *	4/2007	Kato	D23/351
D539,888 S *	4/2007	Tsuji	D23/351

* cited by examiner

Primary Examiner—Brian N Vinson

(74) *Attorney, Agent, or Firm*—Manabu Kanesaka

(57) **CLAIM**

The ornamental design for an air-conditioner, as shown and described.

DESCRIPTION

FIG. 1 is a perspective view of an air-conditioner showing our new design;

FIG. 2 is a front view thereof;

FIG. 3 is a rear view thereof;

FIG. 4 is a plan view thereof;

FIG. 5 is a right side view thereof, a left side view being symmetrical to the right side view; and,

FIG. 6 is a sectional view thereof taken along line 6—6 in FIG. 2.

1 Claim, 3 Drawing Sheets

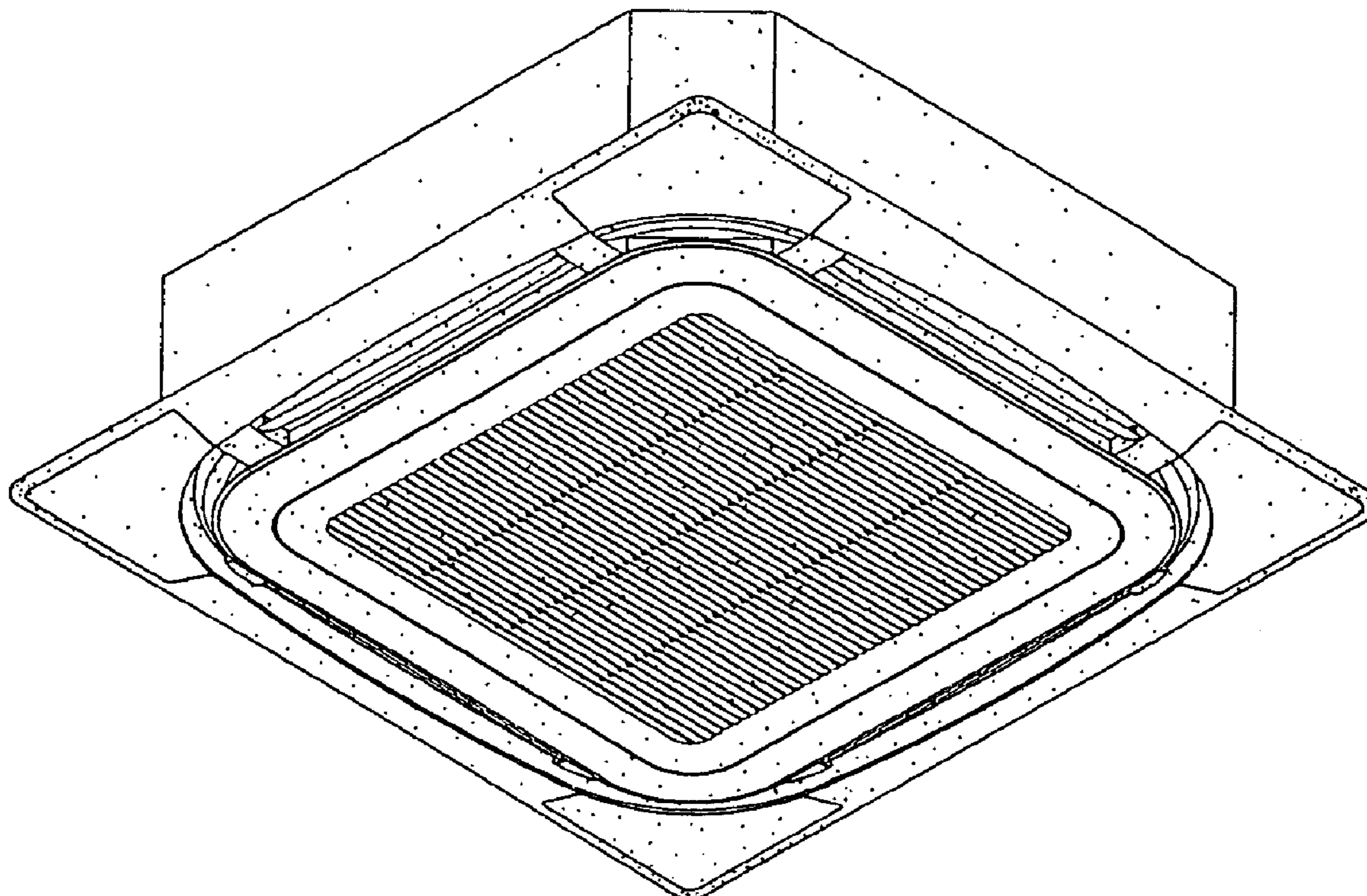


Fig. 1

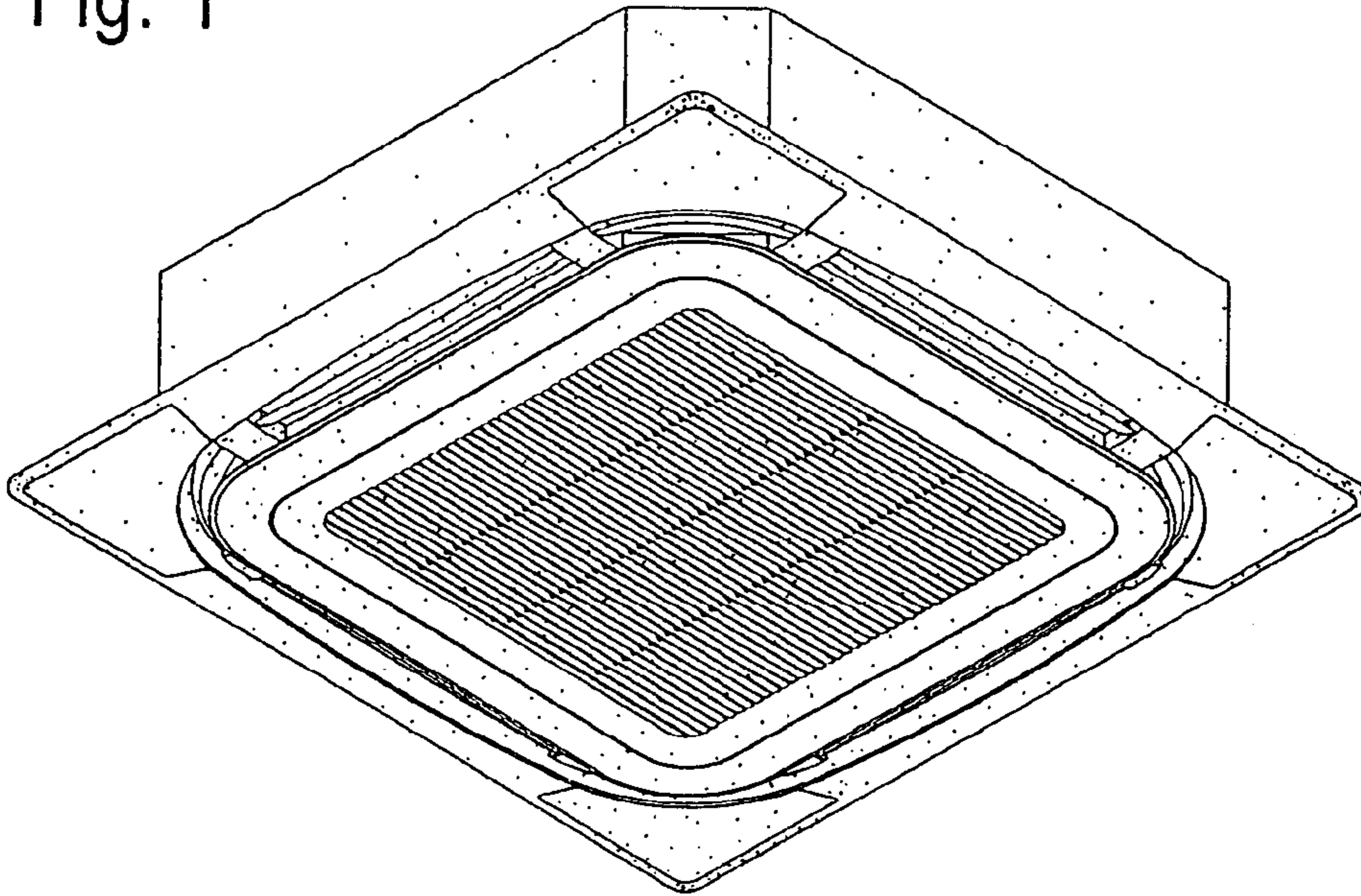


Fig. 2

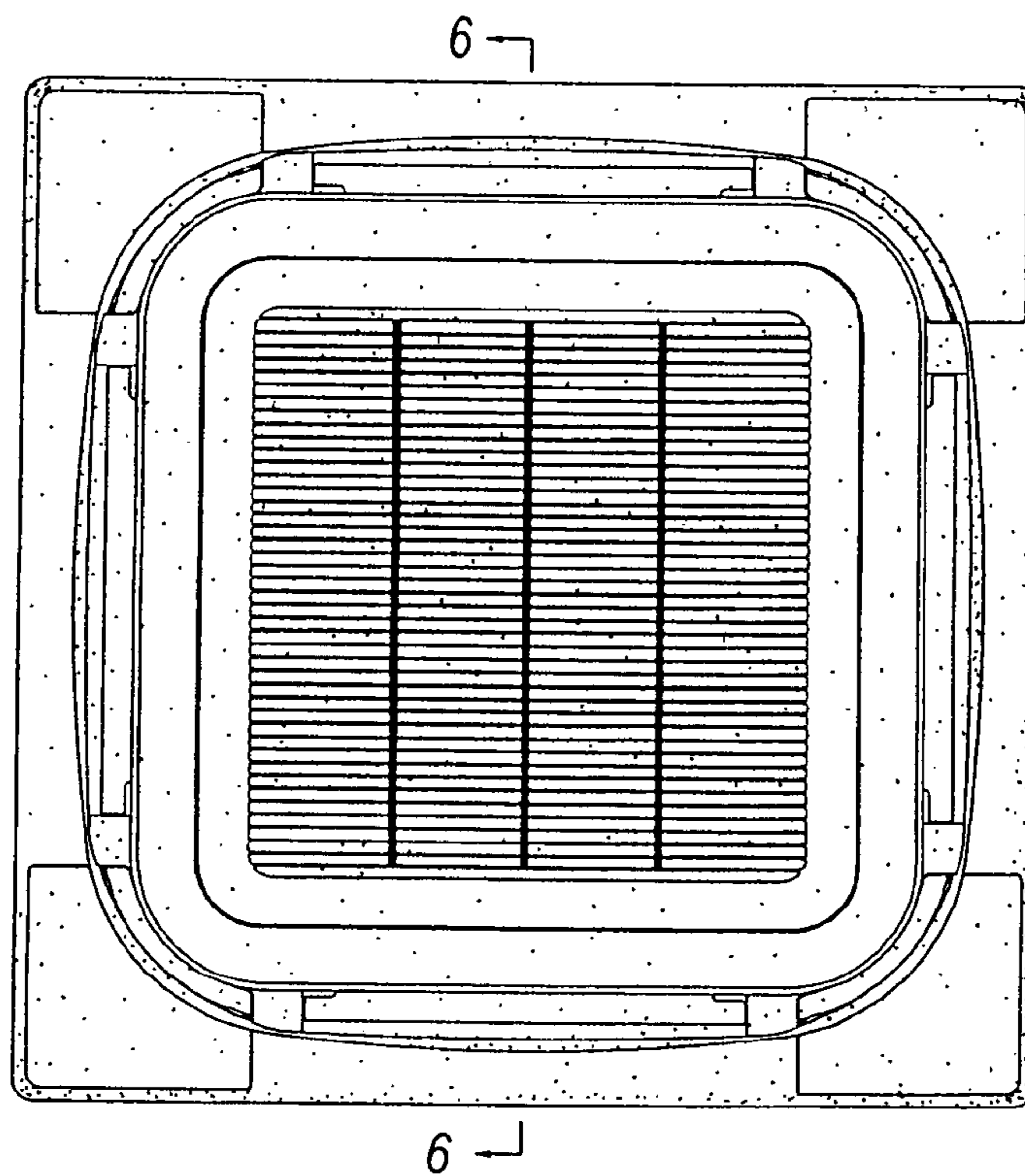


Fig. 3

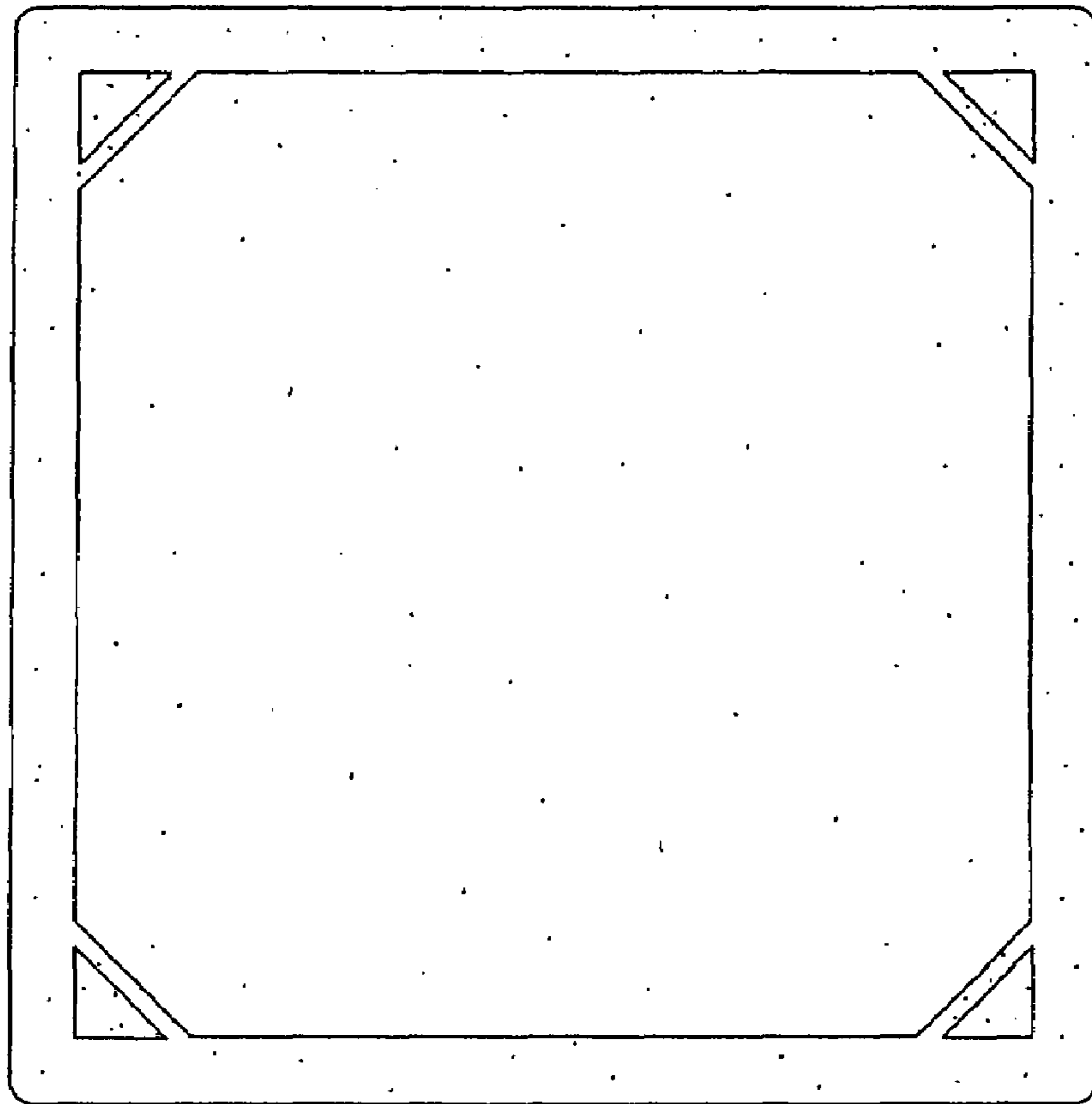


Fig. 4

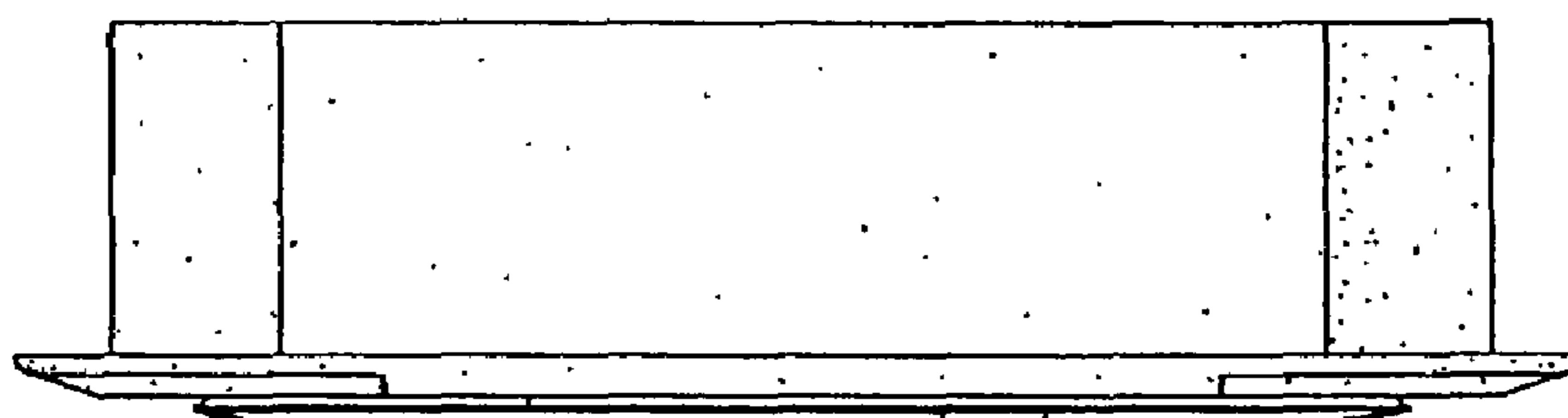


Fig. 5

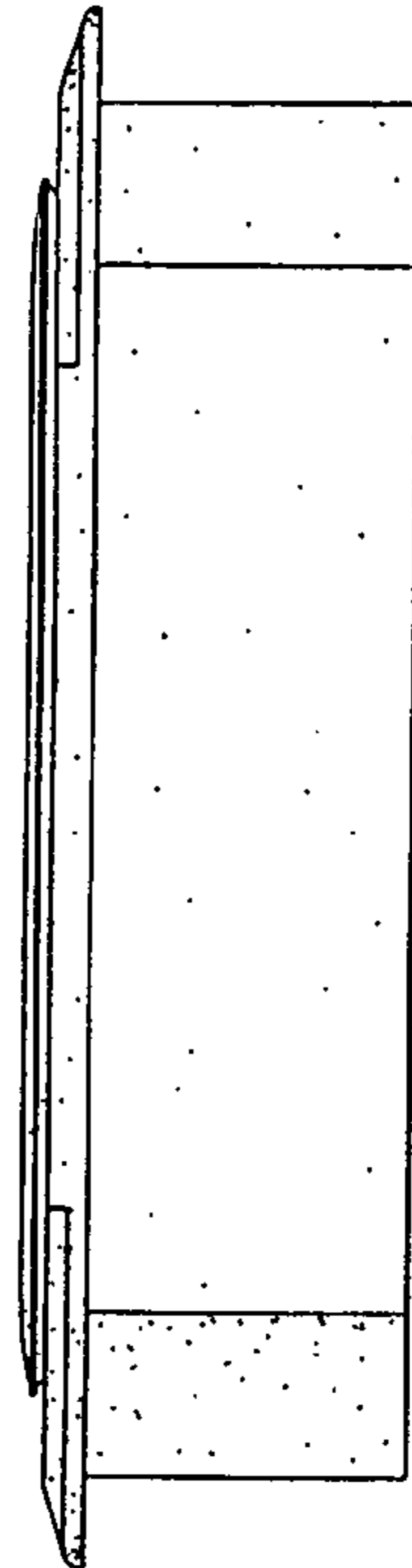


Fig. 6

