



US00D553726S

(12) **United States Design Patent**  
**Niki**

(10) **Patent No.:** **US D553,726 S**

(45) **Date of Patent:** **\*\* Oct. 23, 2007**

(54) **AIR-CONDITIONER**

(75) Inventor: **Kentaro Niki, Sakai (JP)**

(73) Assignee: **Daikin Industries Ltd., Osaka-Shi,  
Osaka (JP)**

(\*\*) Term: **14 Years**

(21) Appl. No.: **29/271,865**

(22) Filed: **Jan. 29, 2007**

(30) **Foreign Application Priority Data**

Oct. 19, 2006 (JP) ..... 2006-028319

(51) **LOC (8) Cl.** ..... **23-04**

(52) **U.S. Cl.** ..... **D23/351**

(58) **Field of Classification Search** ..... D23/351-354;  
312/236; 62/259.1, 259.4, 262-263, 304;  
454/330-331, 349-350

See application file for complete search history.

(56) **References Cited**

**U.S. PATENT DOCUMENTS**

- D368,305 S \* 3/1996 Shigenari et al. .... D23/351
- D417,910 S \* 12/1999 Nonaka ..... D23/351
- D420,116 S \* 2/2000 Kobayashi ..... D23/351
- D426,626 S \* 6/2000 Nonaka ..... D23/351
- D439,317 S \* 3/2001 Kobayashi ..... D23/351
- D446,292 S \* 8/2001 Asakura et al. .... D23/351
- D448,073 S \* 9/2001 Wakasa ..... D23/351
- D449,095 S \* 10/2001 Yanagida et al. .... D23/351
- D450,823 S \* 11/2001 Kobayashi ..... D23/351
- D451,586 S \* 12/2001 Oya et al. .... D23/351

- D454,188 S \* 3/2002 Nonaka ..... D23/351
- D465,016 S \* 10/2002 Nanjo et al. .... D23/351
- D487,142 S \* 2/2004 Yoo ..... D23/351
- D529,158 S \* 9/2006 Ueno et al. .... D23/351
- D529,595 S \* 10/2006 Ueno et al. .... D23/351
- D536,430 S \* 2/2007 Miyake et al. .... D23/351
- D539,889 S \* 4/2007 Chooji et al. .... D23/351

\* cited by examiner

*Primary Examiner*—Brian N Vinson

(74) *Attorney, Agent, or Firm*—Manabu Kanesaka

(57) **CLAIM**

The ornamental design for an air-conditioner, as shown and described.

**DESCRIPTION**

FIG. 1 is a perspective view of an air-conditioner showing my new design;

FIG. 2 is a front view thereof;

FIG. 3 is a rear view thereof;

FIG. 4 is a top view thereof;

FIG. 5 is a bottom view thereof;

FIG. 6 is a right side view thereof;

FIG. 7 is a left side view thereof;

FIG. 8 is another perspective view thereof showing use condition; and,

FIG. 9 is an enlarged sectional view thereof taken along line 9—9 in FIG. 2.

**1 Claim, 3 Drawing Sheets**

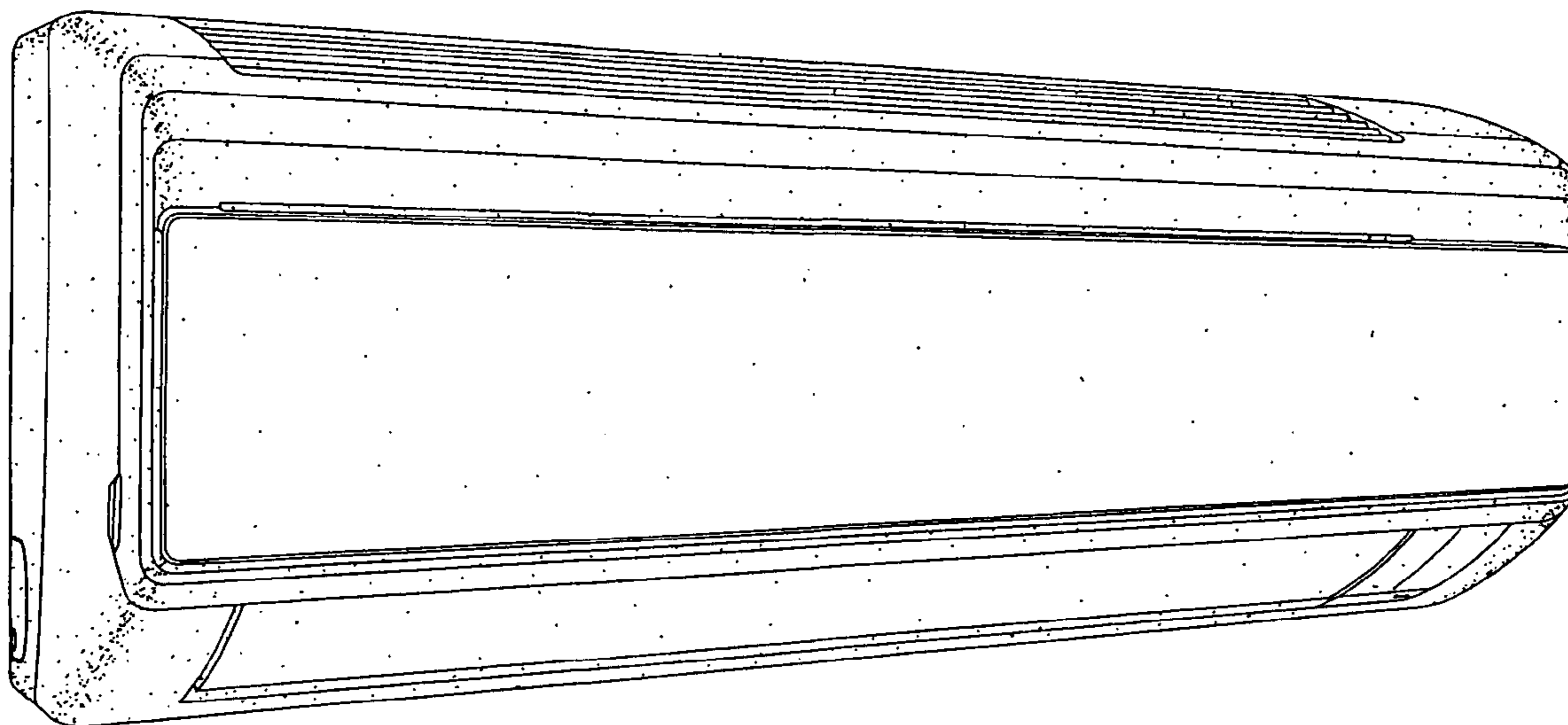


Fig. 1

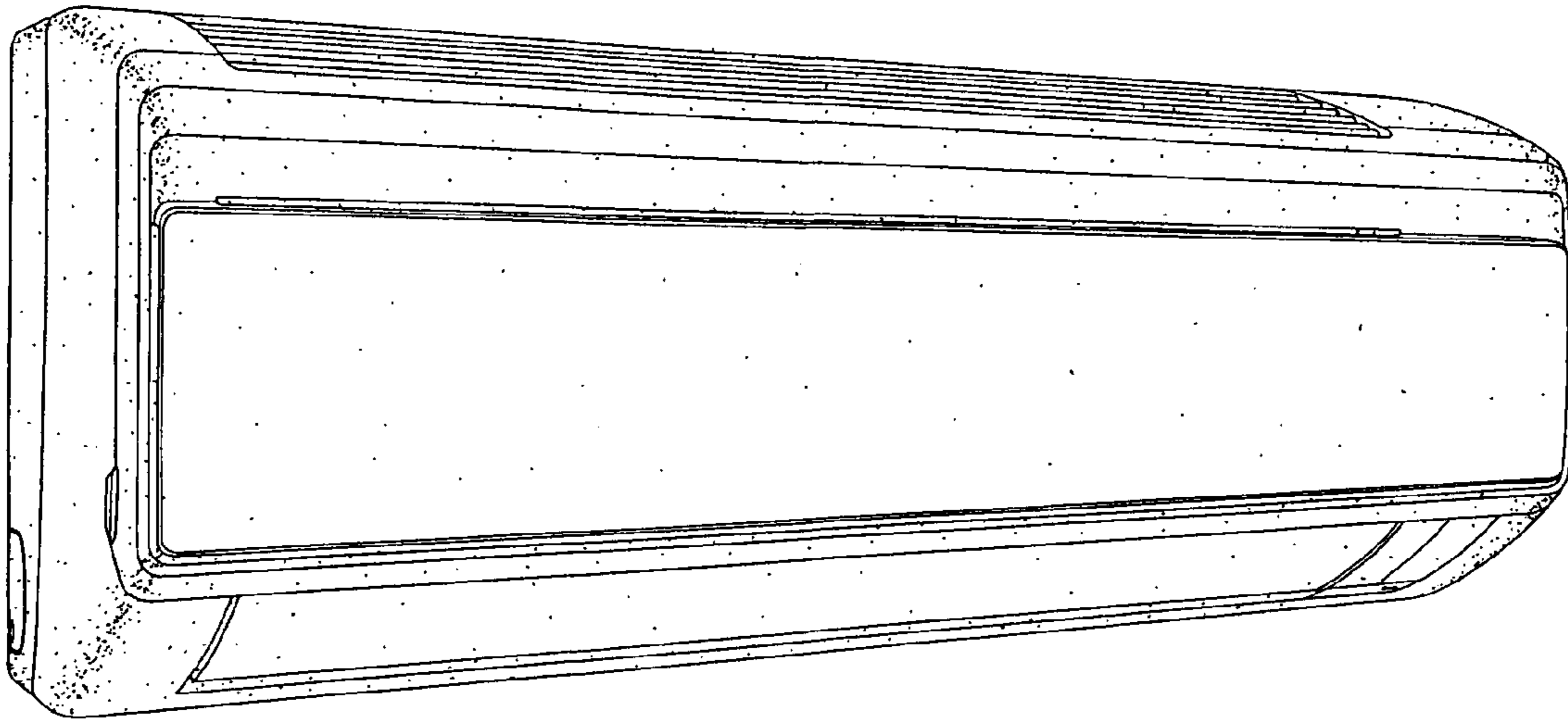
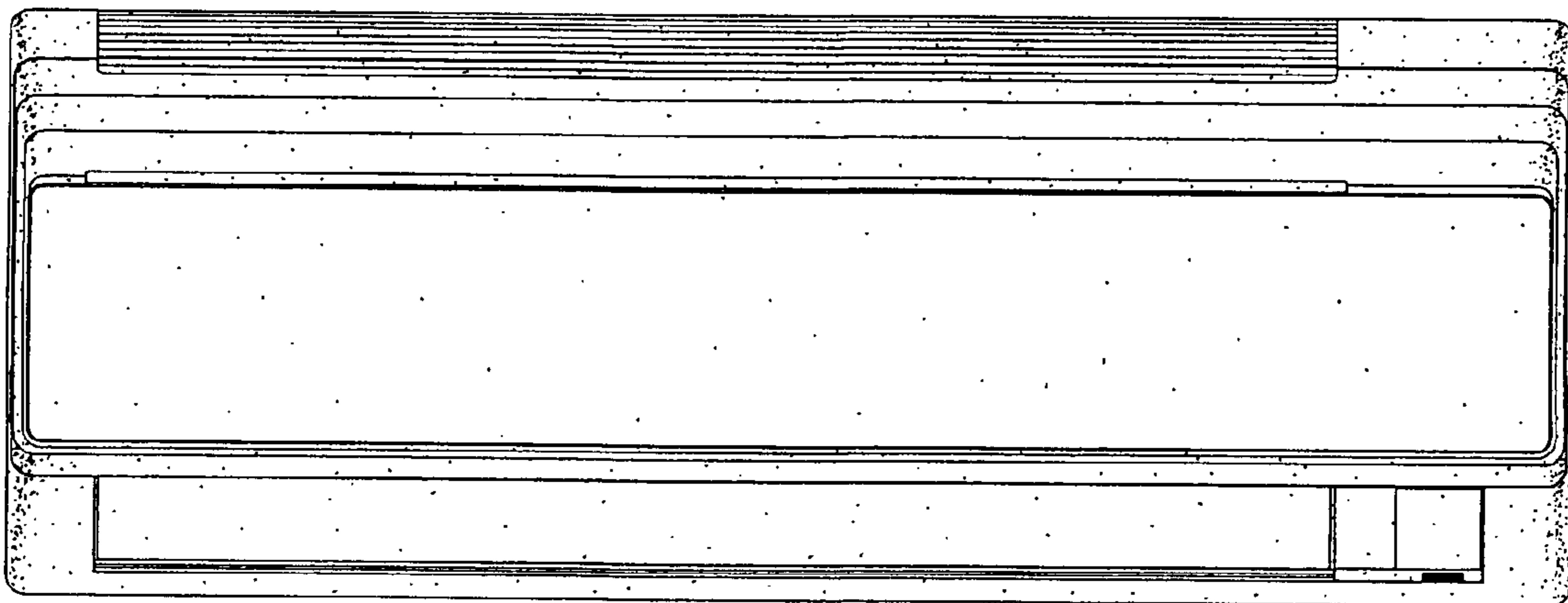


Fig. 2

9 ↖



9 ↙

Fig. 3

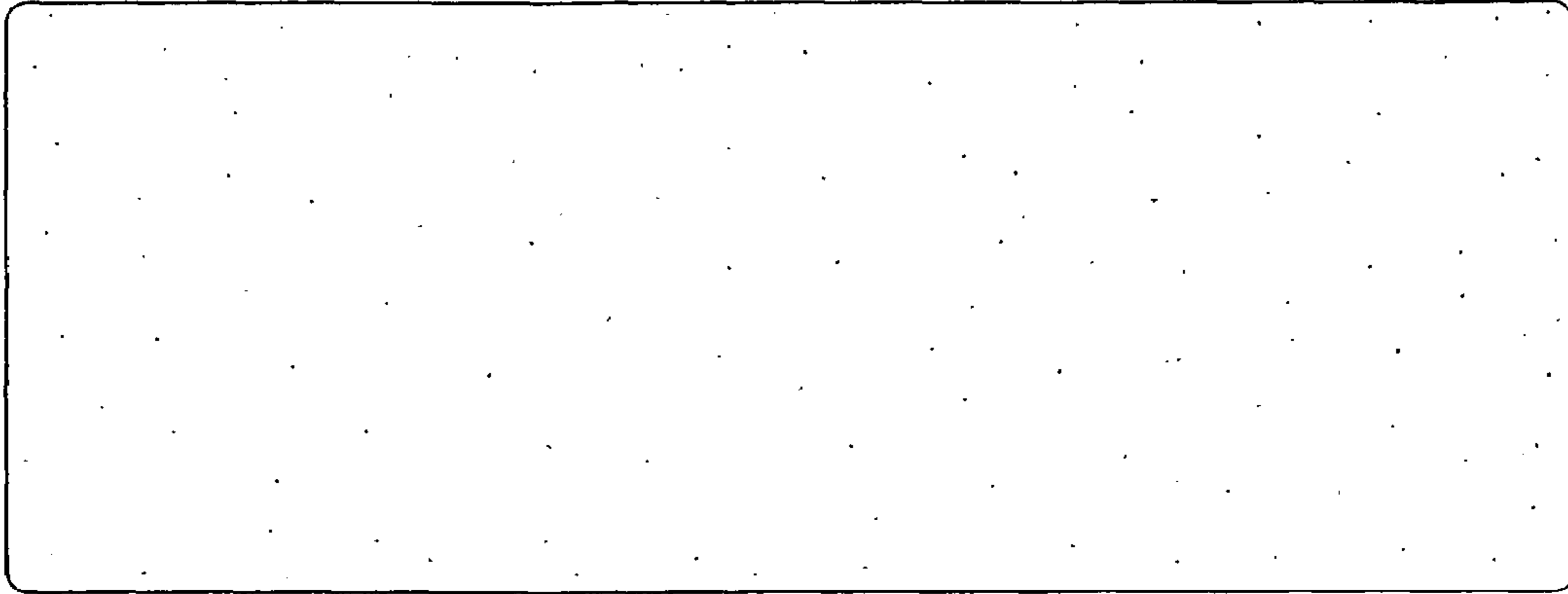


Fig. 4

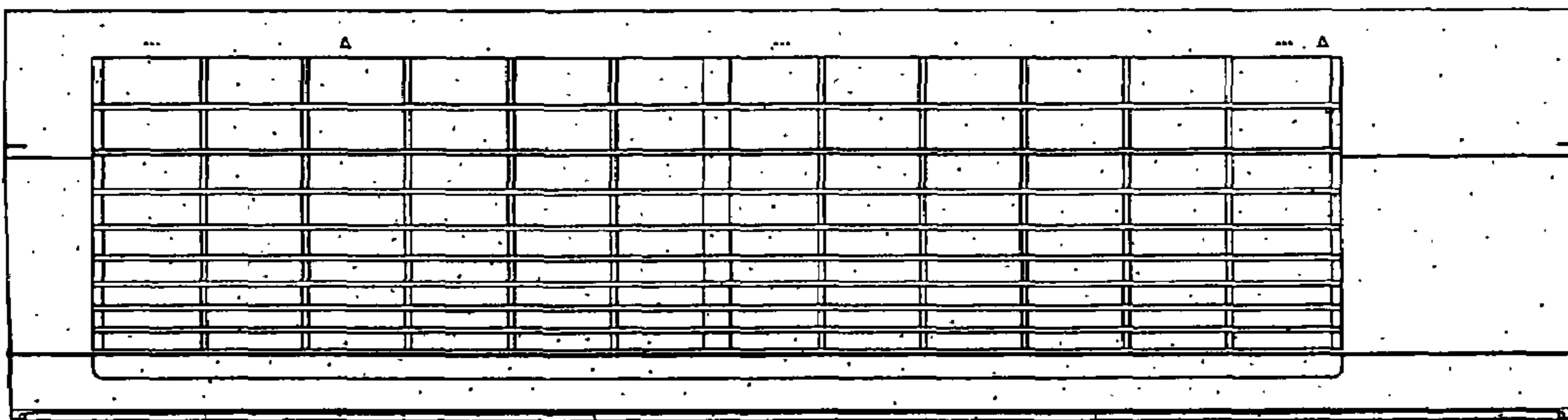


Fig. 5

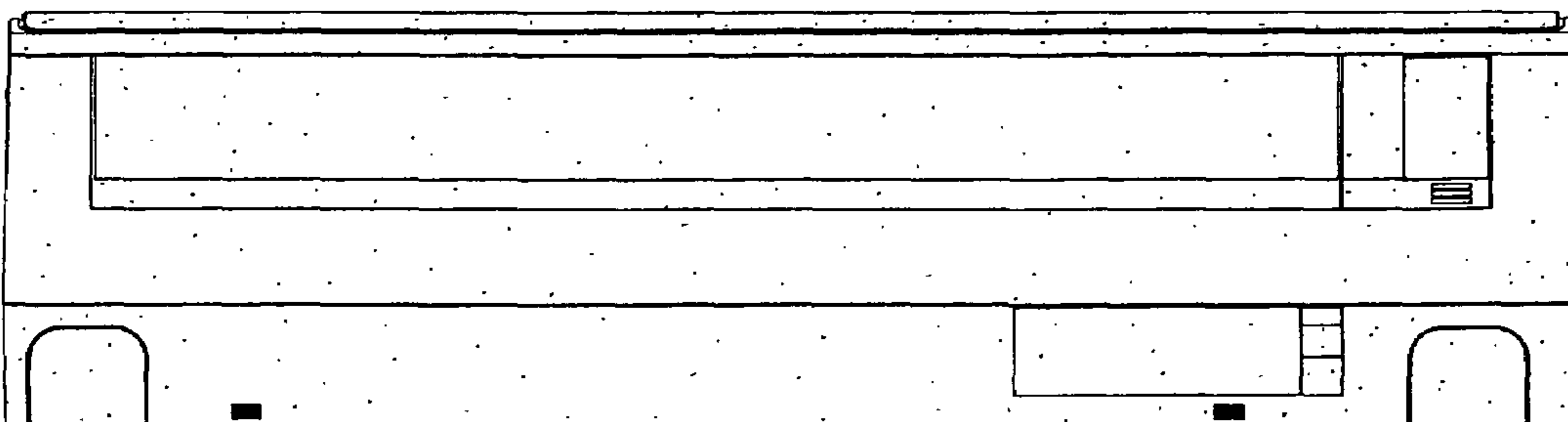


Fig. 6

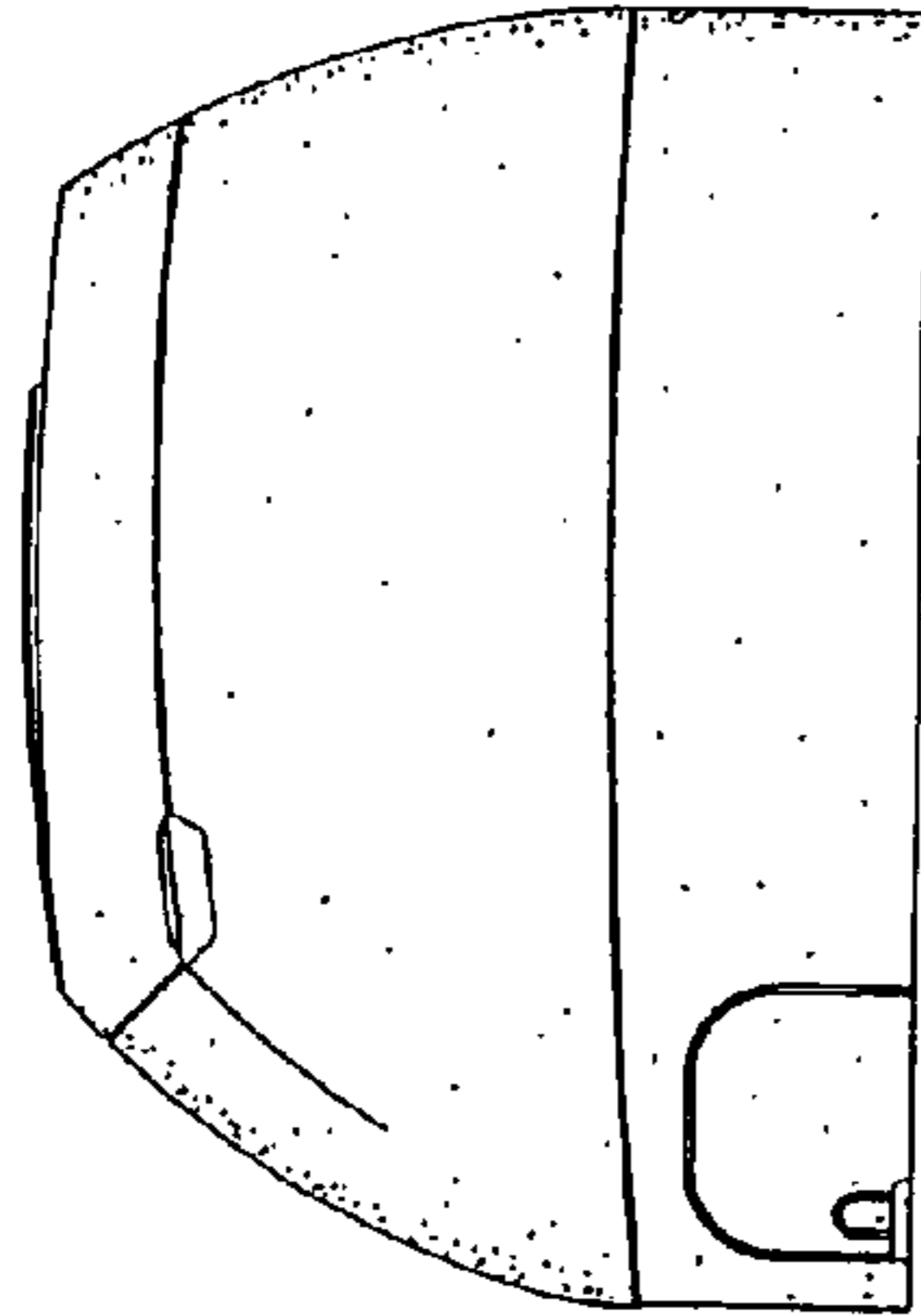


Fig. 7

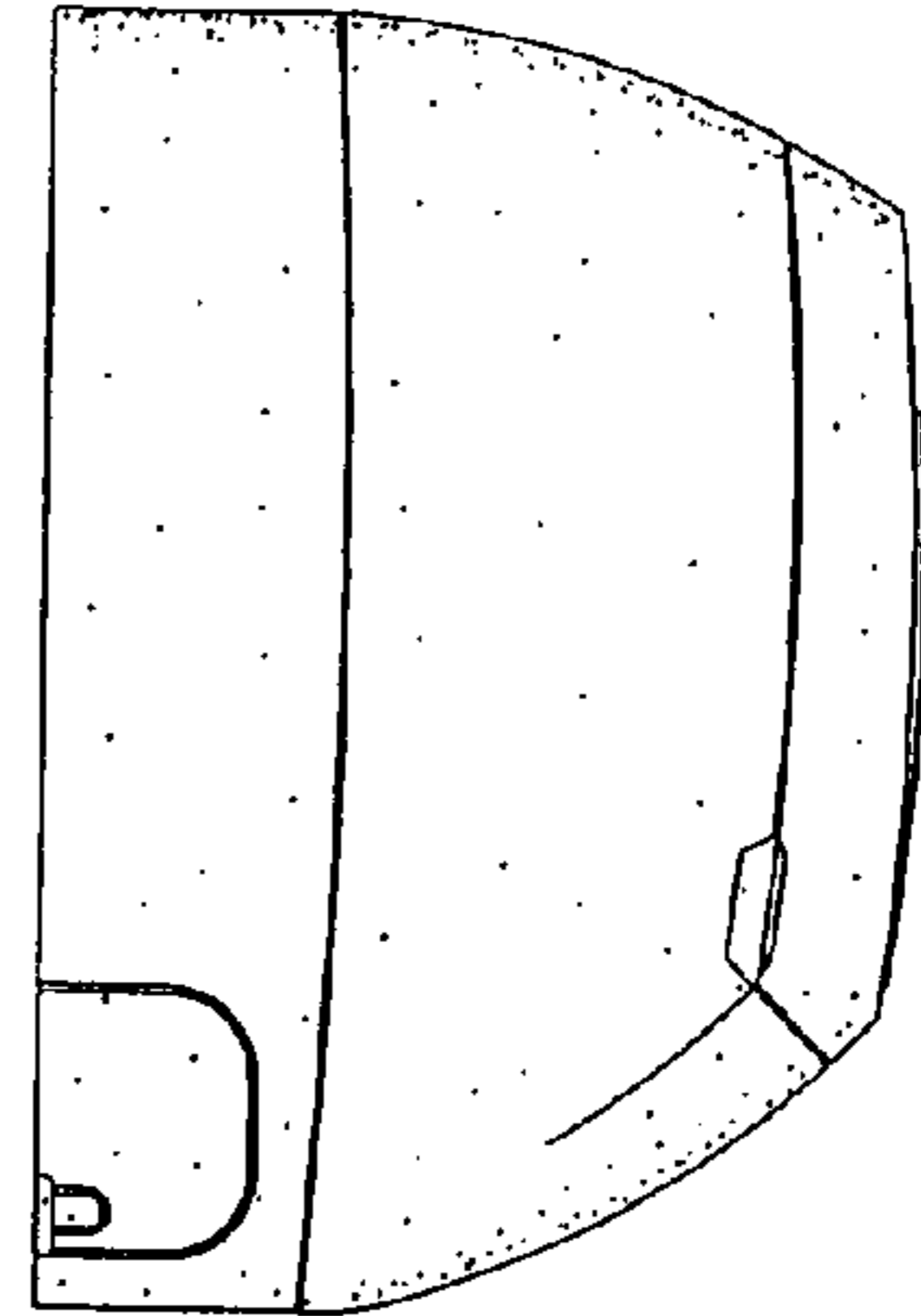


Fig. 8

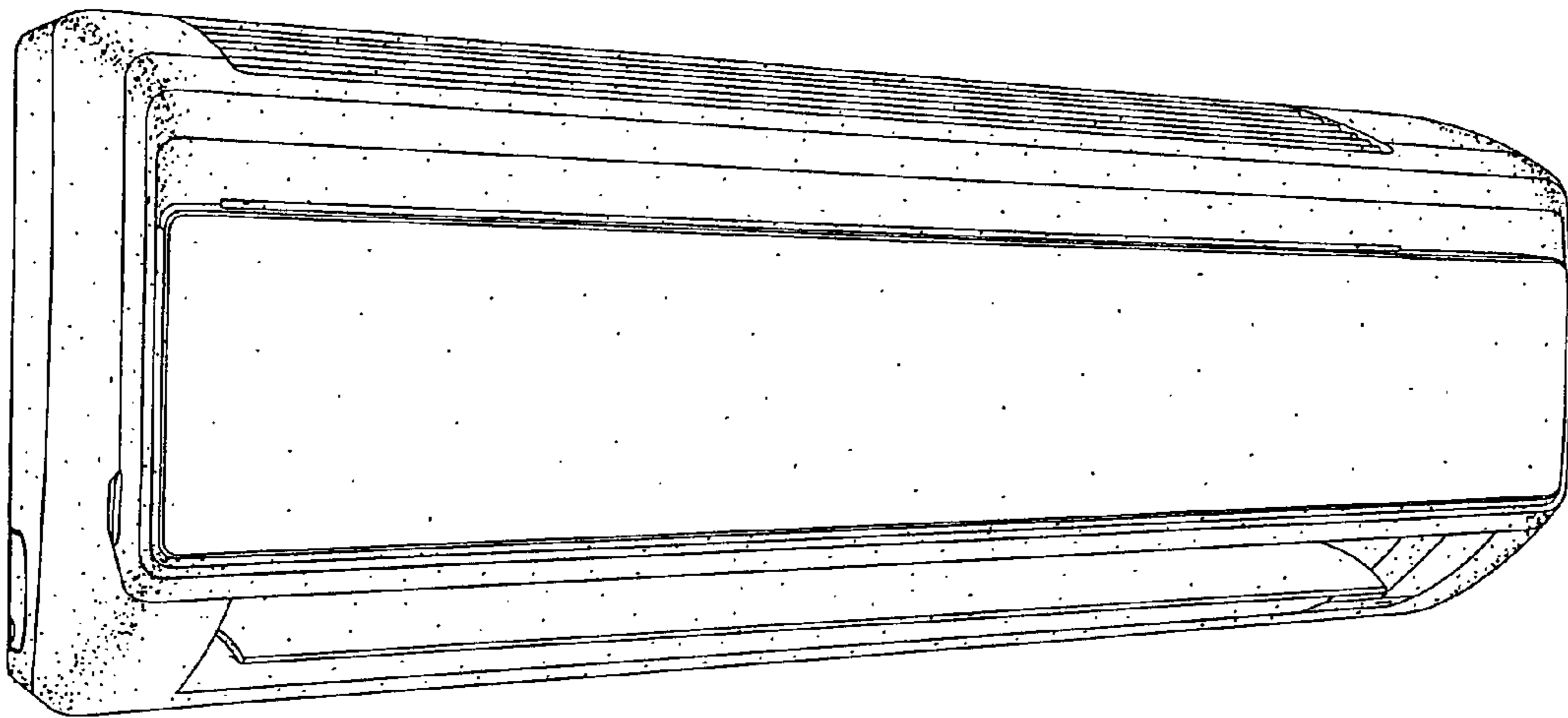


Fig. 9

